
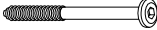
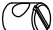
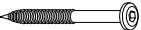
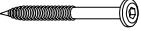


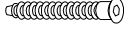











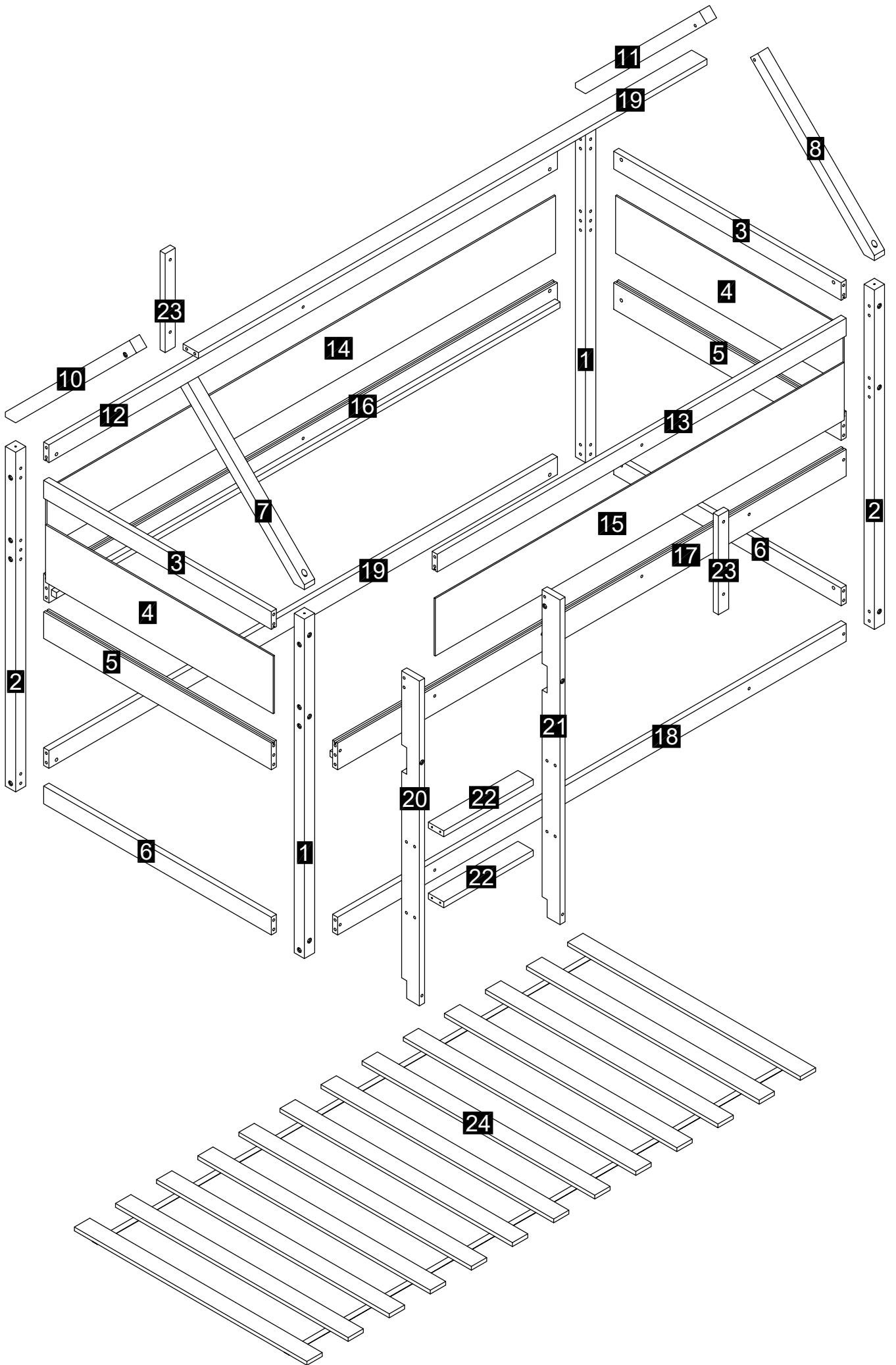
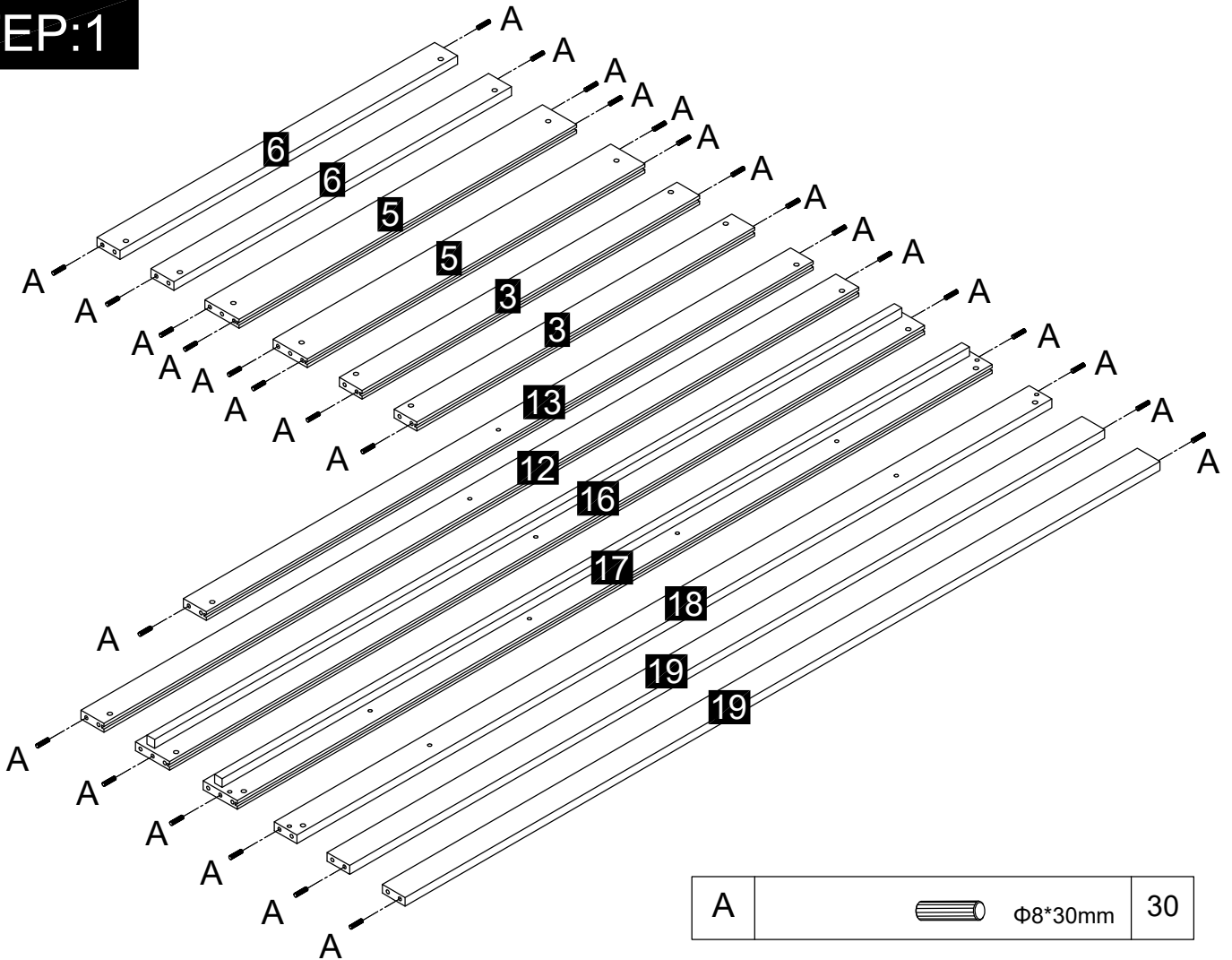



A		Φ8*30mm	30
B		M6*80mm	29
C			30
D		Φ6*70	4
E		Φ6*80	2
F		M6*25mm	4
G		M8*20mm	9
H		Φ7*50mm	8
I		M6*60mm	5
J		M6*40mm	1

K		4*30	32
L		30*30mm	4
M		18mm	18
N		Φ8	7
O		Φ15	32
P		4 mm	1
S			2
T		4*20	2
U			2

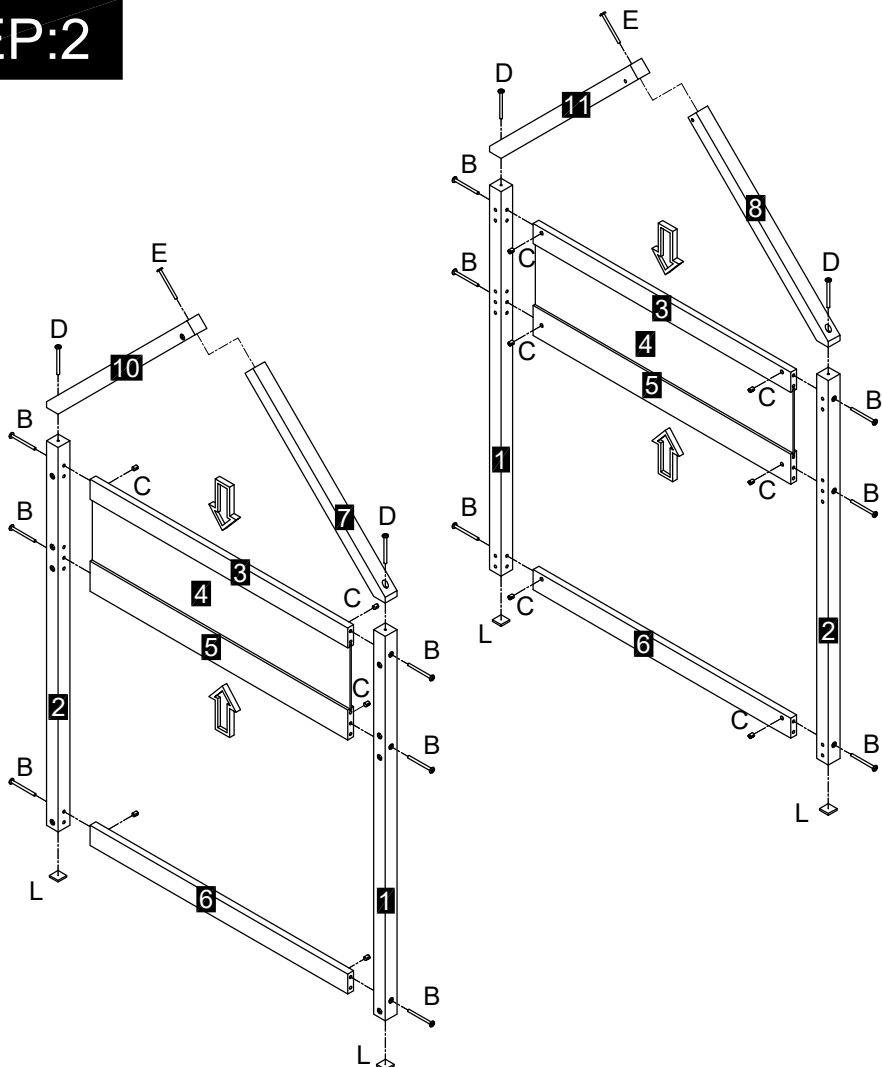



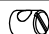



STEP:1



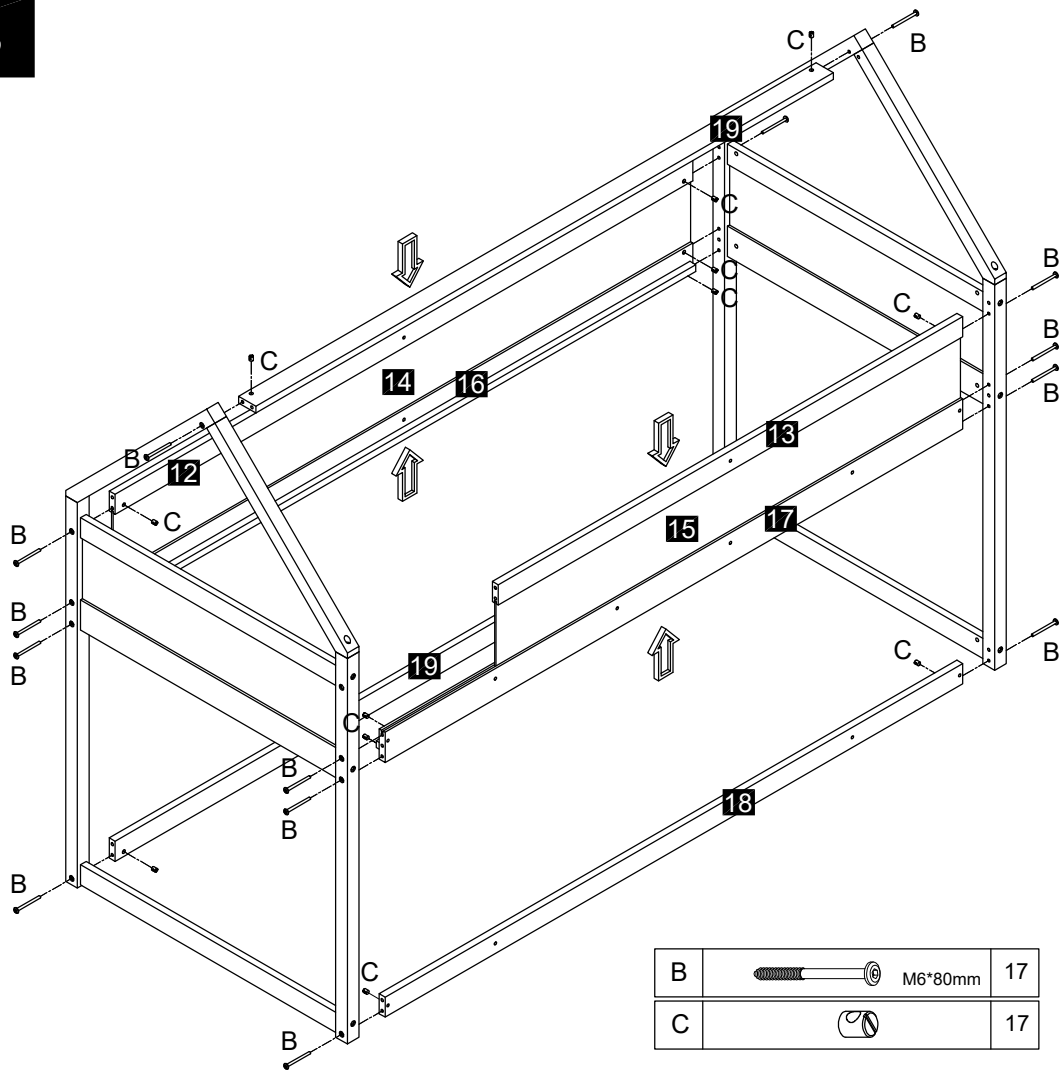
A		Φ8*30mm	30
---	---	---------	----

STEP:2

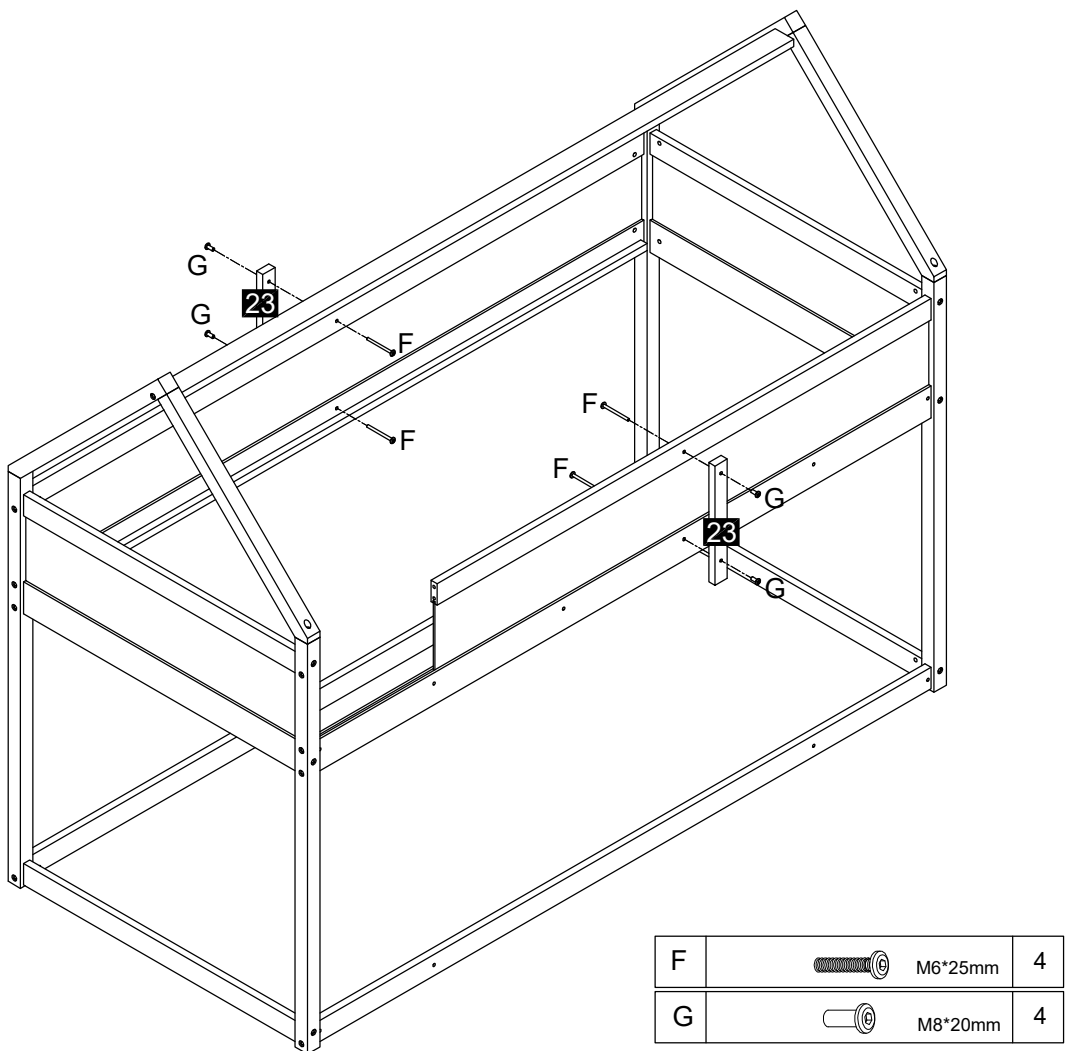


B		M6*80mm	12
C			12
D		Φ6*70	4
E		Φ6*80	2
L		30*30mm	4

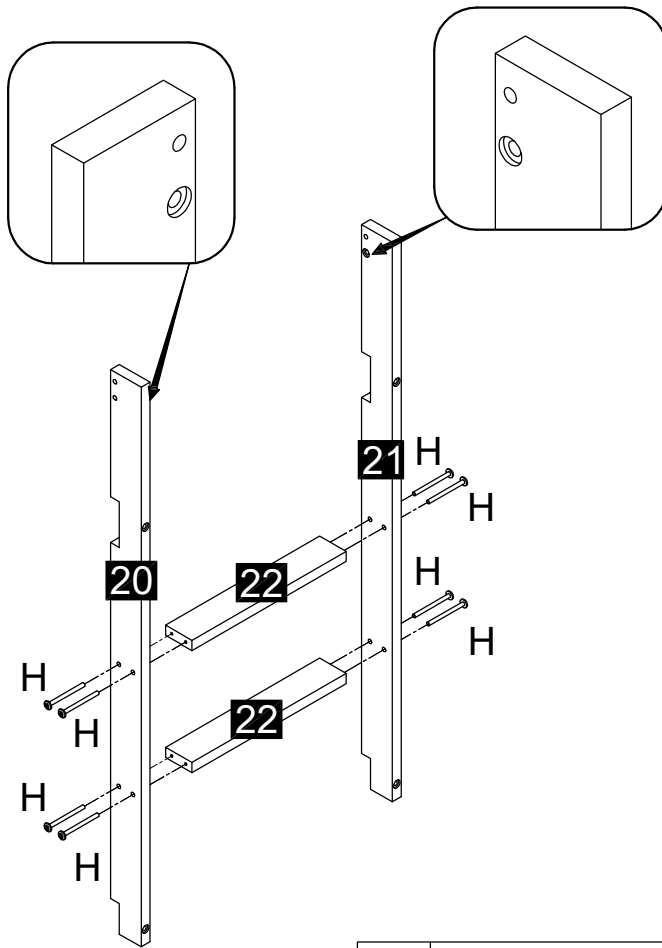
STEP:3

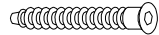


STEP:4

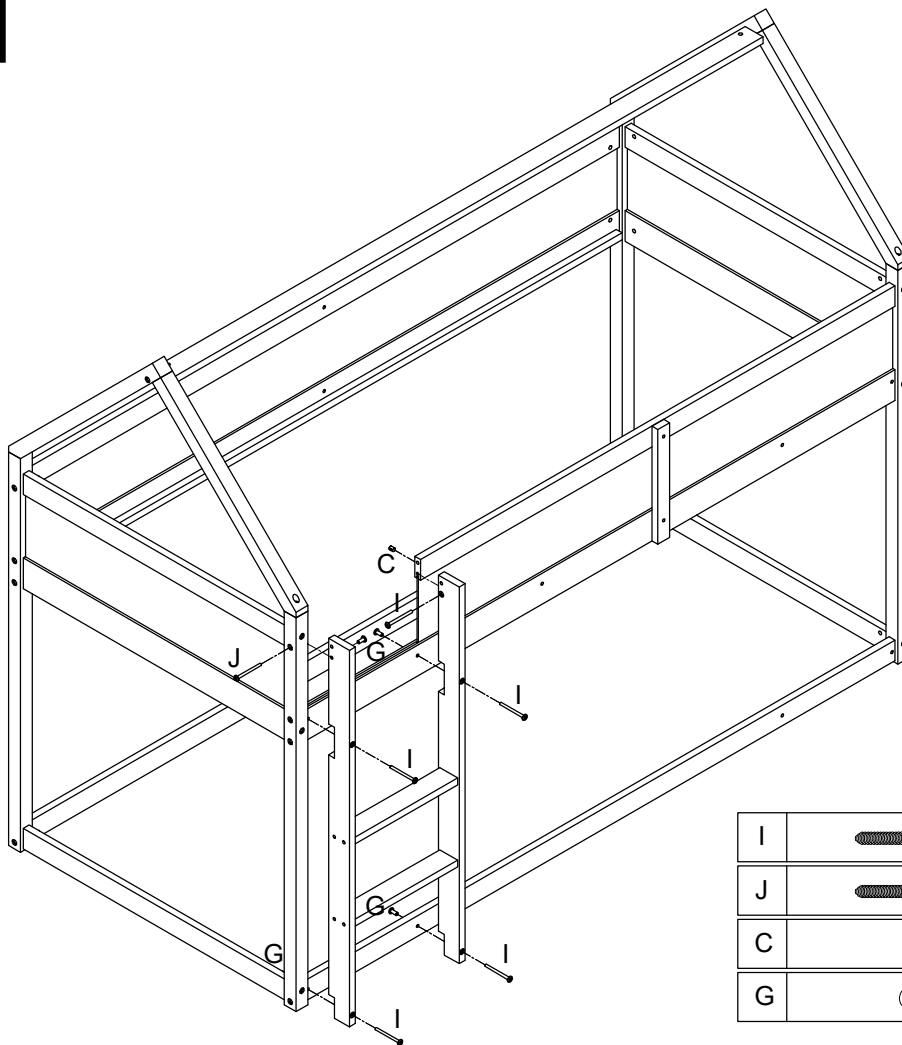






STEP:5



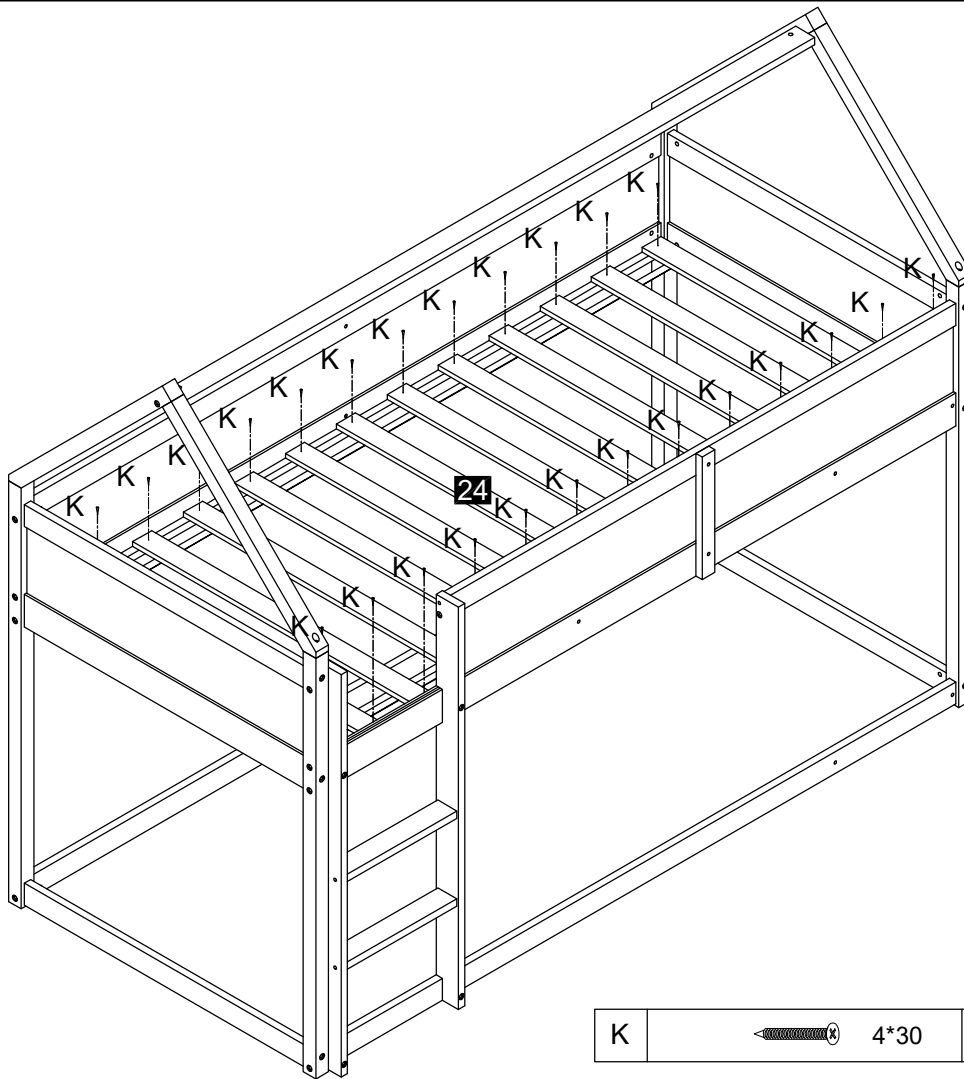
H		Φ7*50mm	8
---	---	---------	---

STEP:6



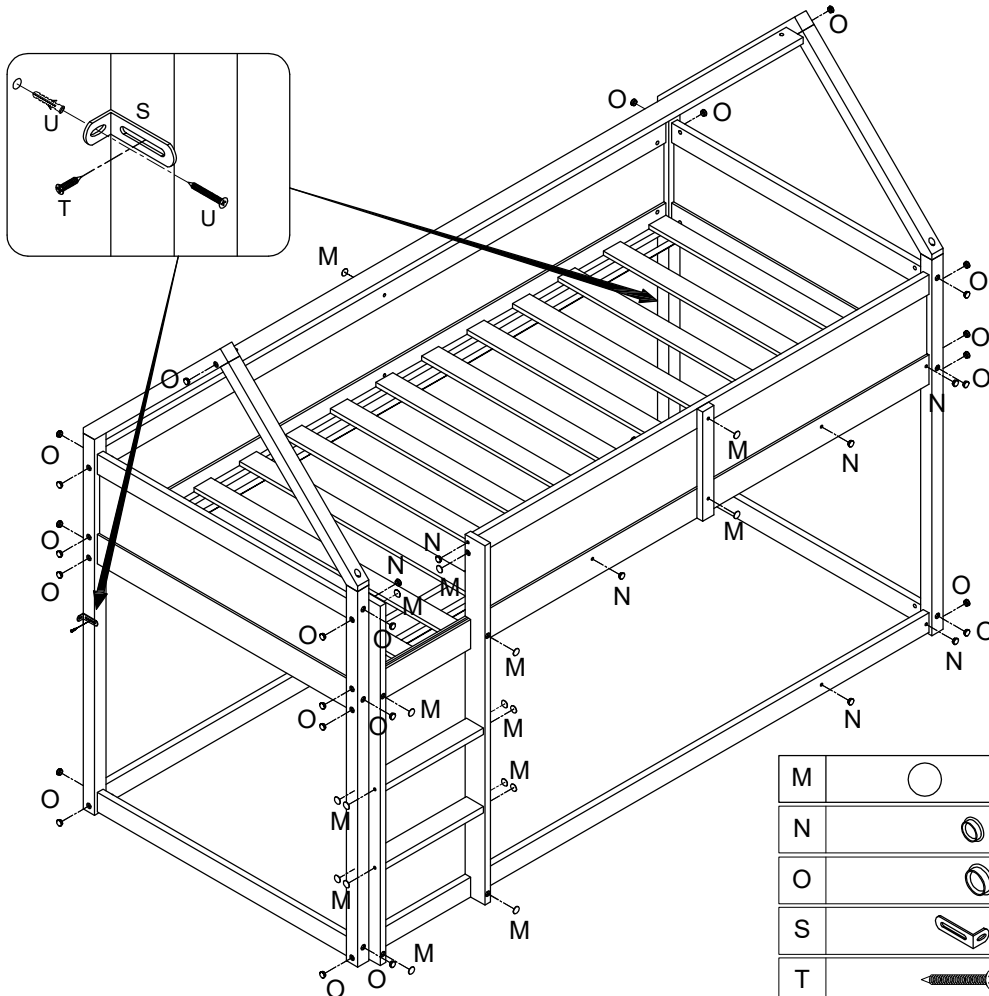
I		M6*60mm	5
J		M6*40mm	1
C			1
G		M8*20mm	5







STEP:7



K		4*30	32
---	---	------	----

STEP:8



M		18mm	18
N		Φ8	7
O		Φ15	32
S			2
T		4*20	2
U			2