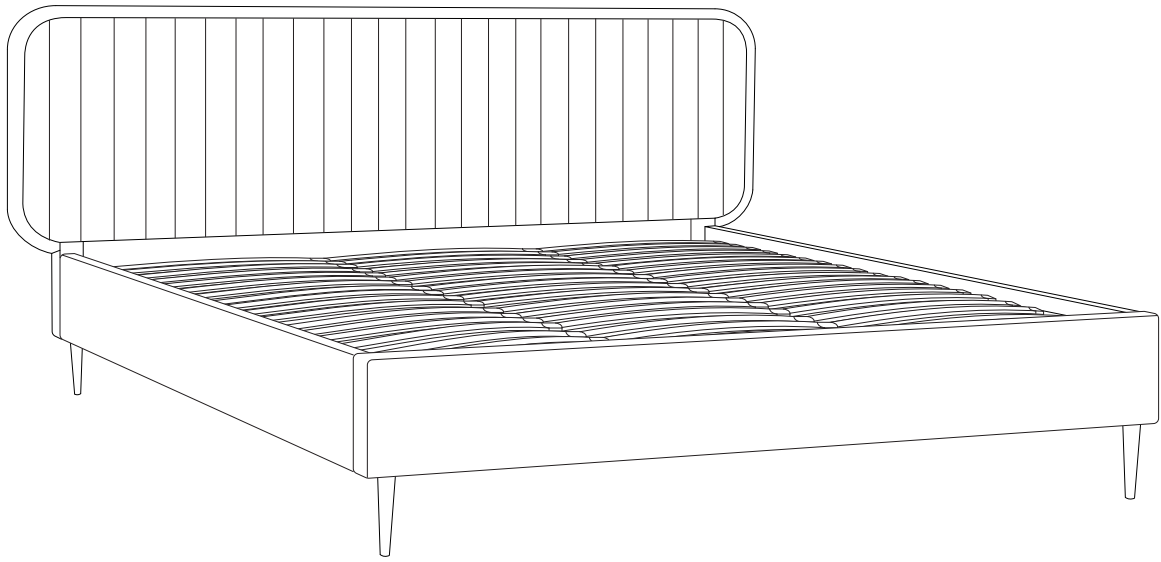
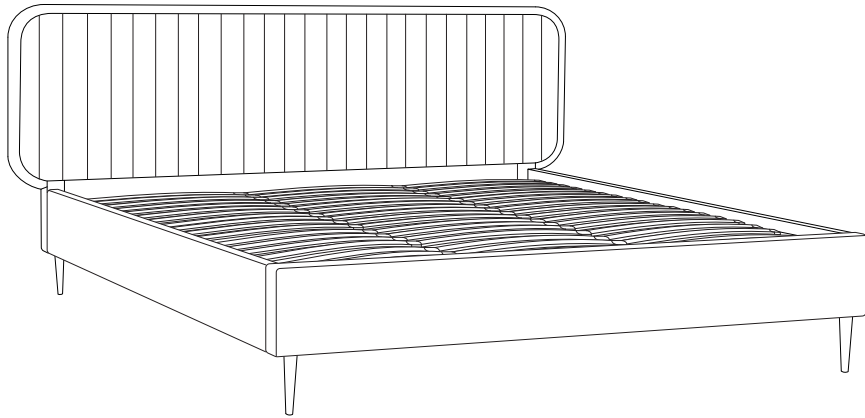
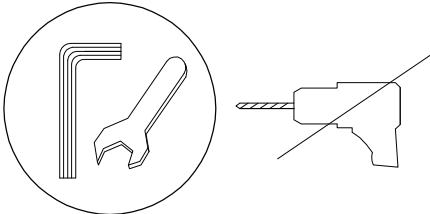

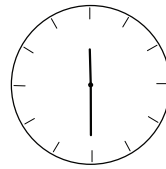
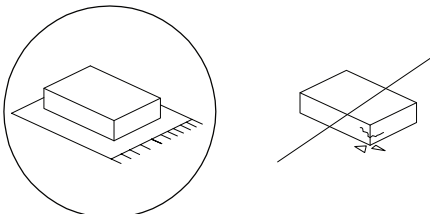




BRIN

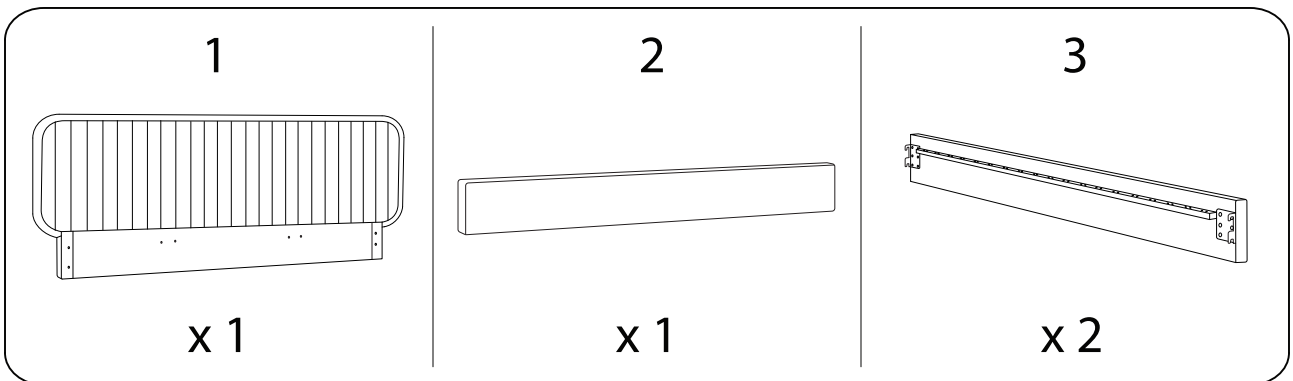
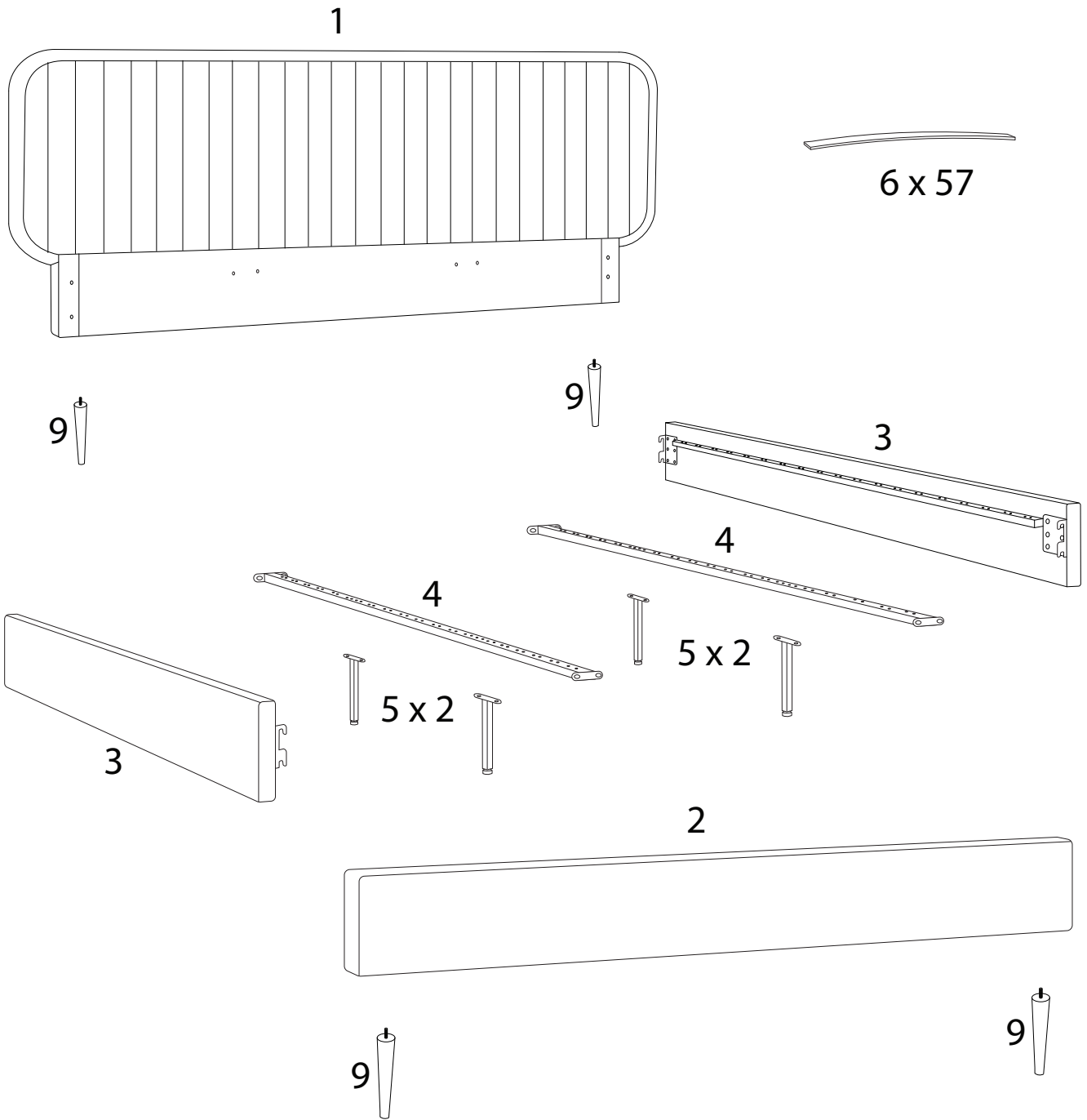




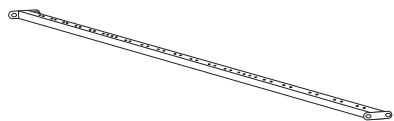
		
		

30'

2

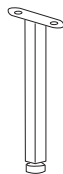


4



x 2

5



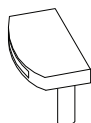
x 4

6



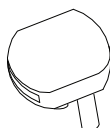
x 57

7



x 38

8



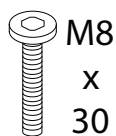
x 38

9



x 4

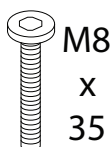
A



M8
x
30

x 16

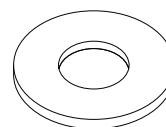
B



M8
x
35

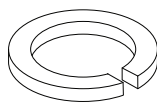
x 8

C



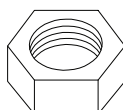
x 8

D



x 8

E



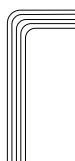
x 8

F



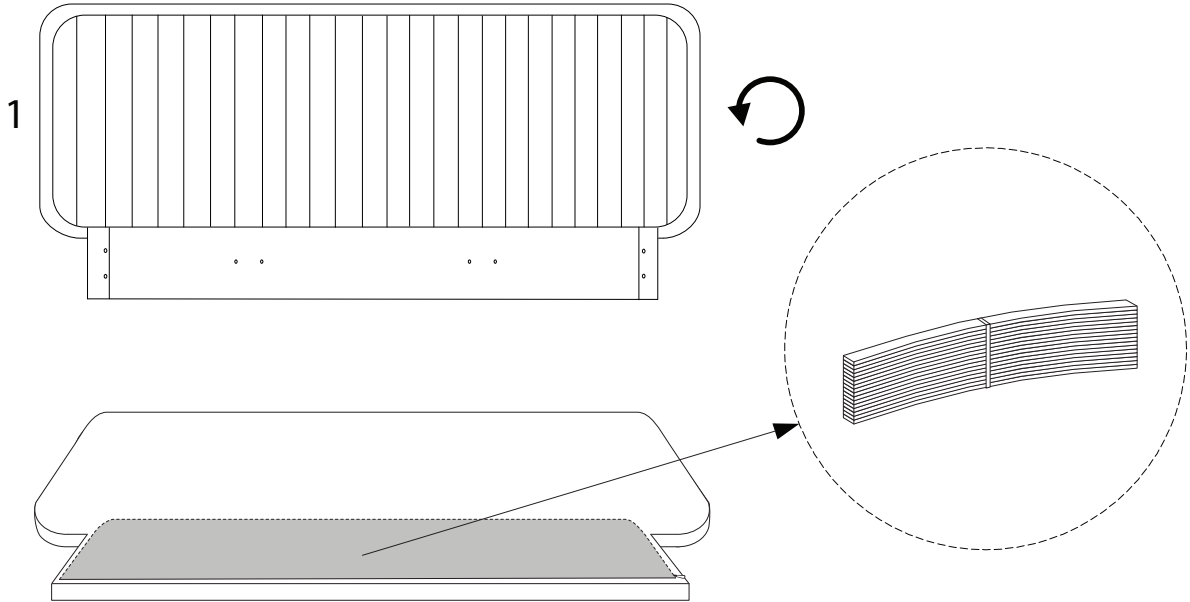
x 1

G

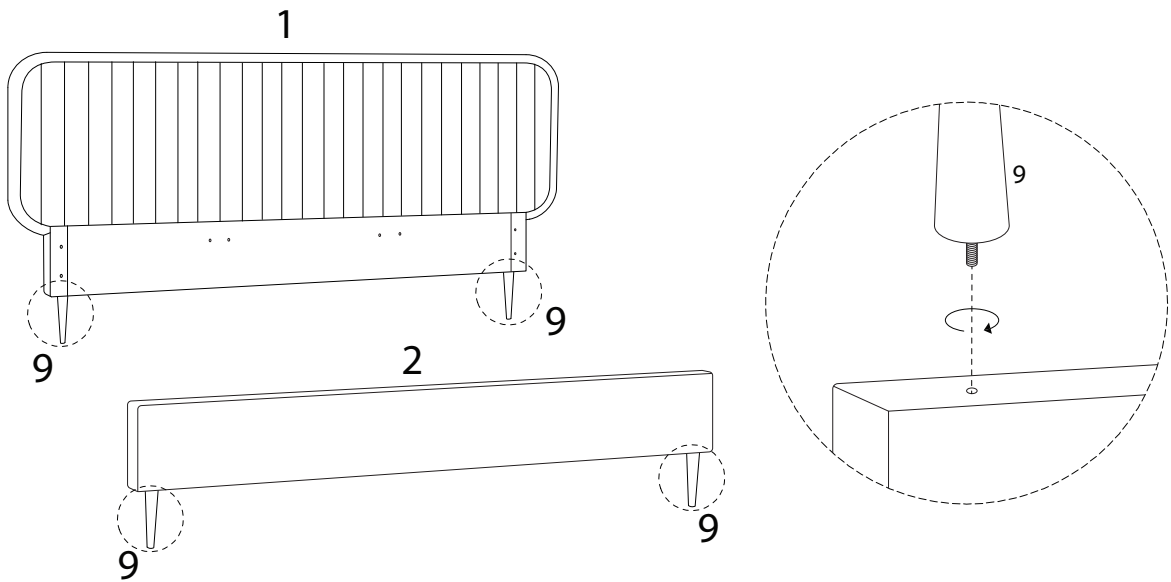
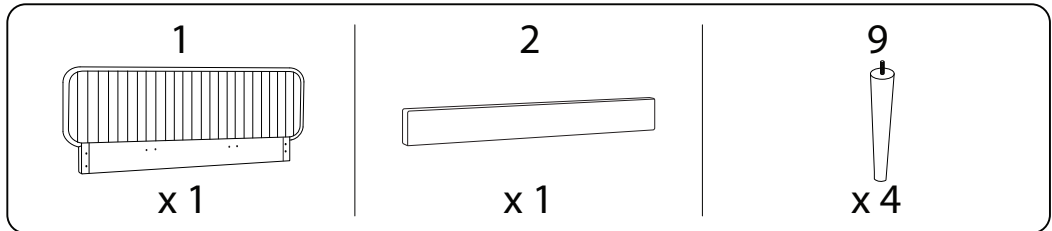


x 1



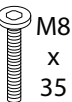
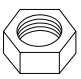

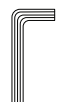
!

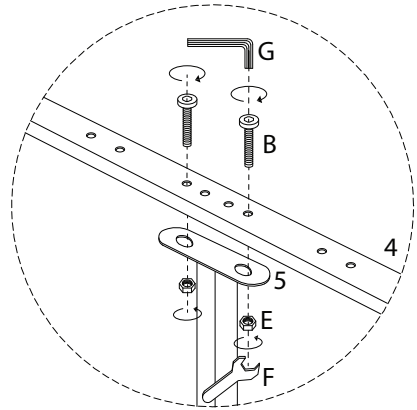
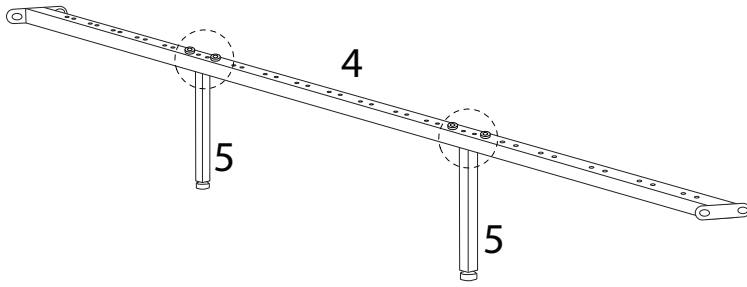


1



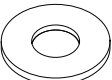
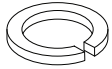
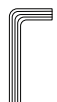


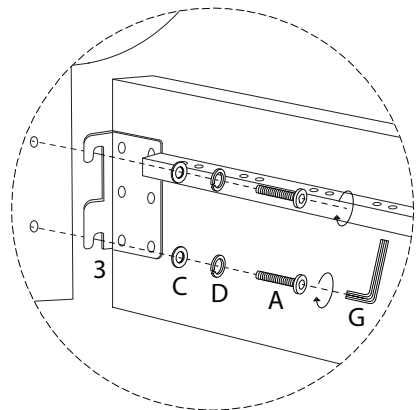
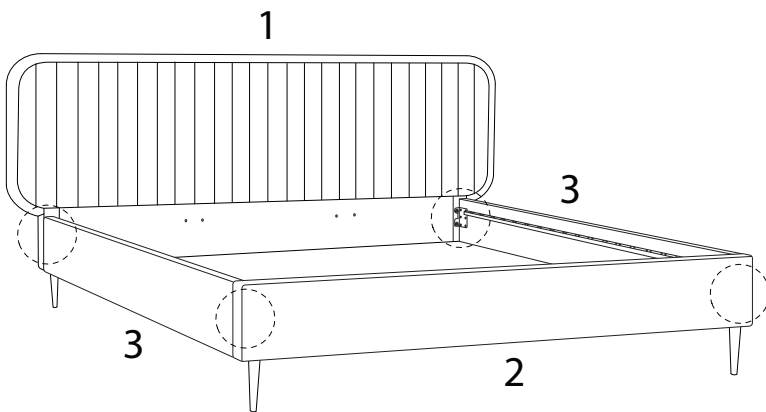
2 x 2

4  x 1	5  x 2	B  M8 x 35 x 4	E  x 4	F  x 1	G  x 1
--	--	---	---	--	--



3

3  x 2	A  M8 x 30 x 8	C  x 8	D  x 8	G  x 1
--	---	--	--	--



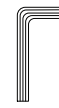
4

A

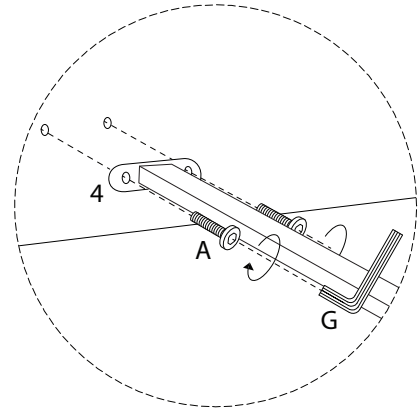
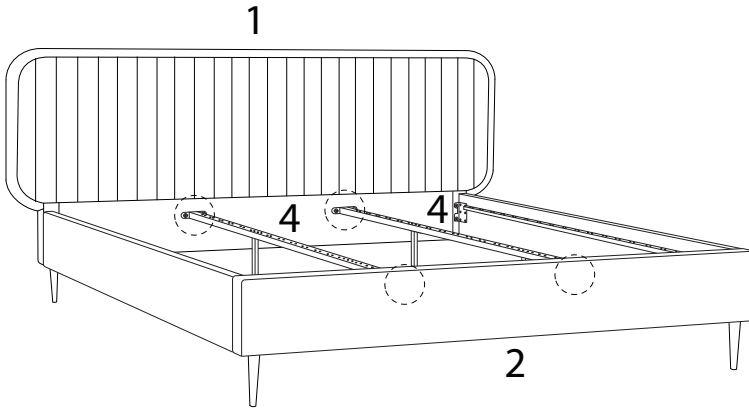


x 8

G



x 1



5 x 19

6



x 3

7



x 2

8



x 2

