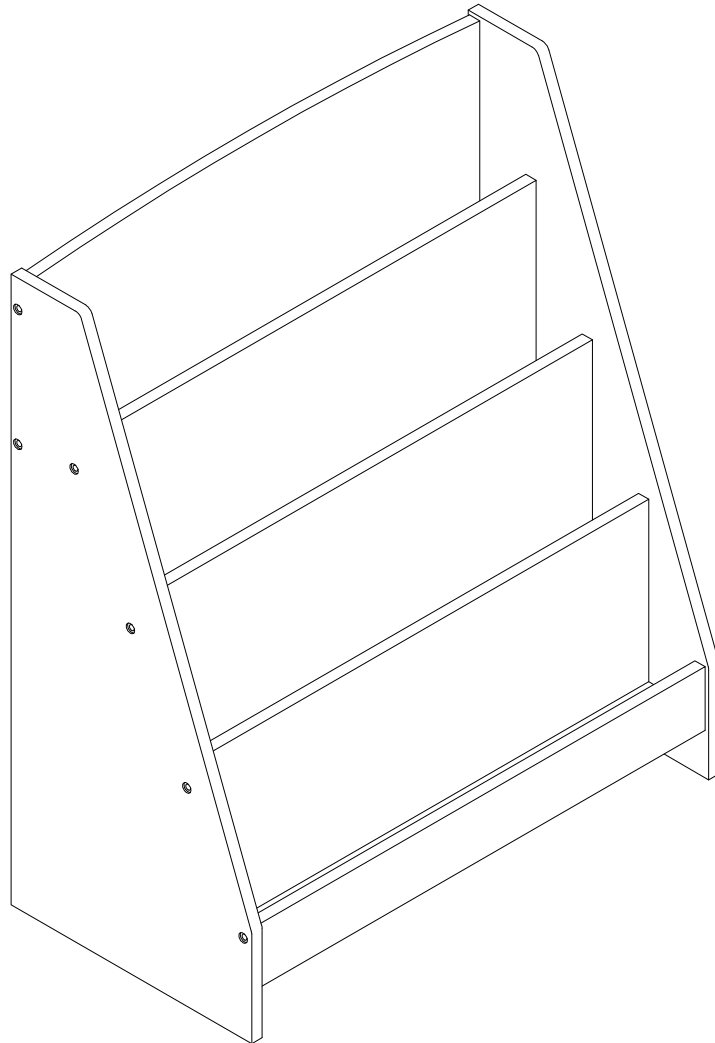


# LILOET



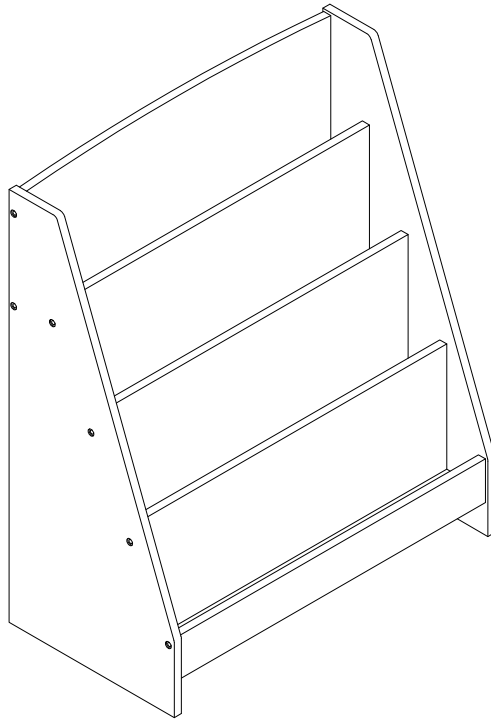
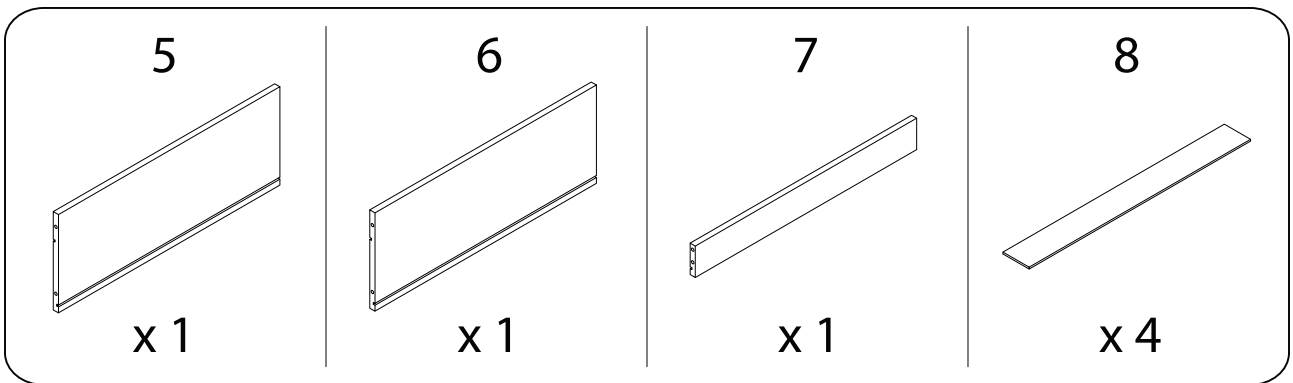
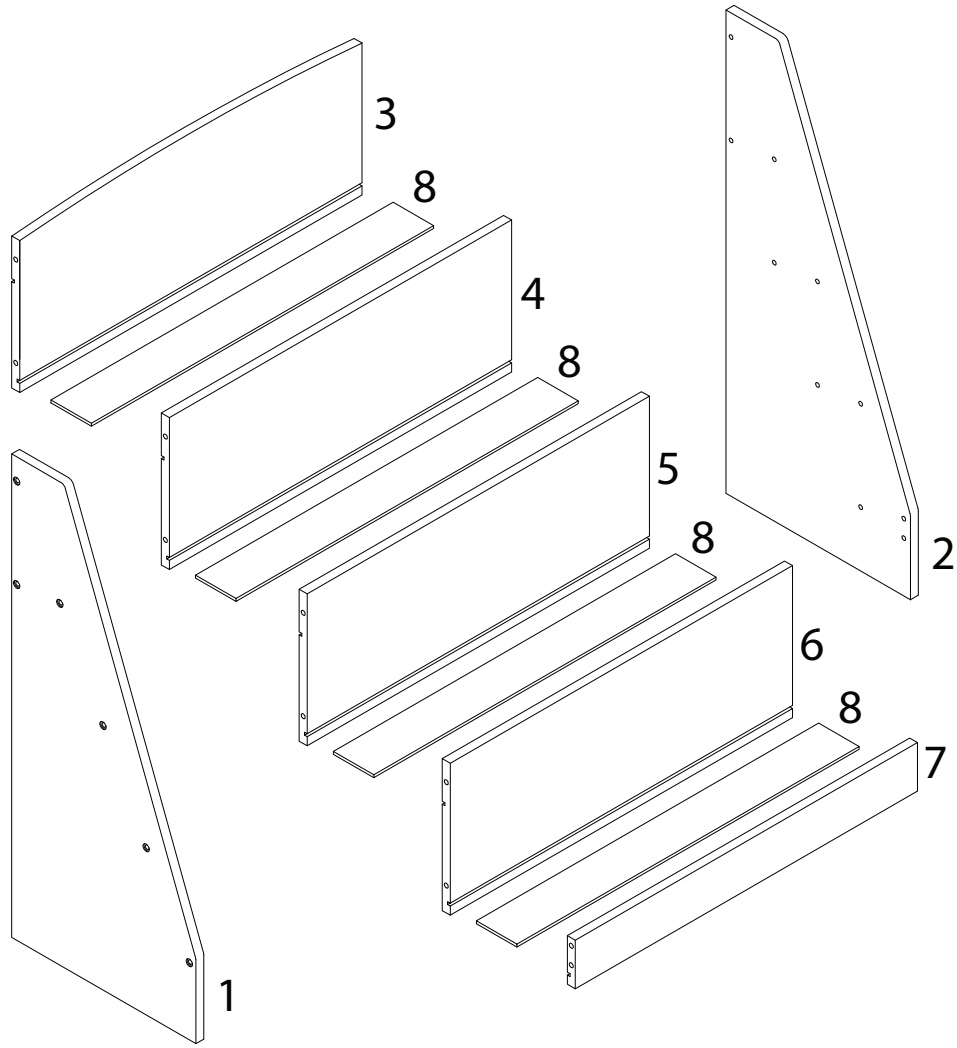
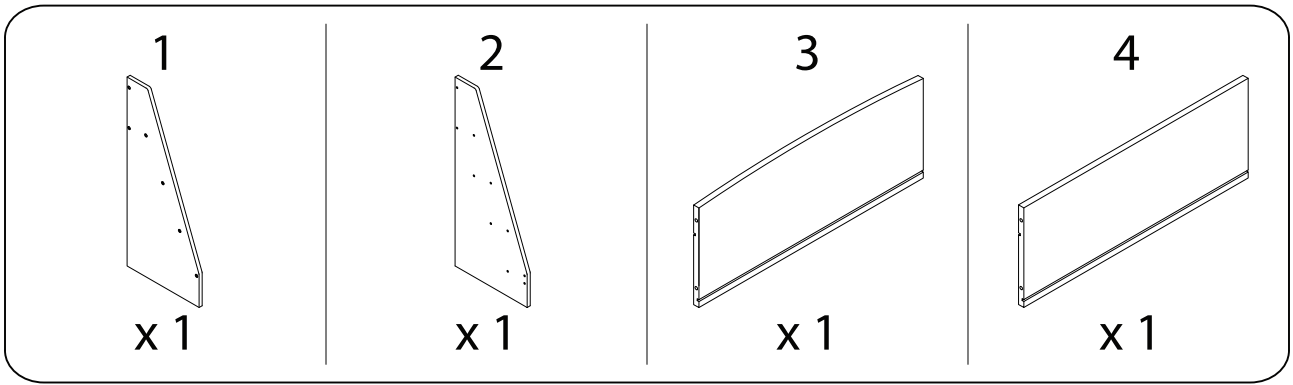
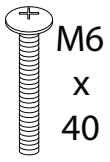


Diagram illustrating assembly steps and safety warnings:

- Step 1:** Shows a screwdriver and a power drill, indicating the use of these tools. A warning triangle with an exclamation mark is positioned above this step.
- Step 2:** Shows a rectangular block being placed on a surface, with a warning triangle above it. A human figure icon is positioned below this step, indicating that one person is required for this step.
- Time:** A clock icon with a circular arrow indicates a duration of 45 minutes.



A



x 12

B



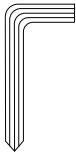
x 12

C



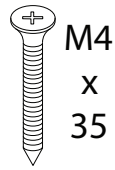
x 8

D



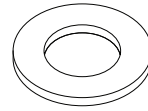
x 1

E



x 1

F



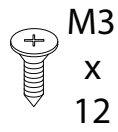
x 2

G



x 1

H



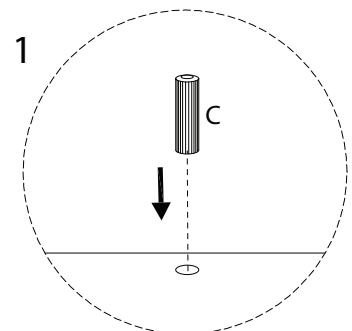
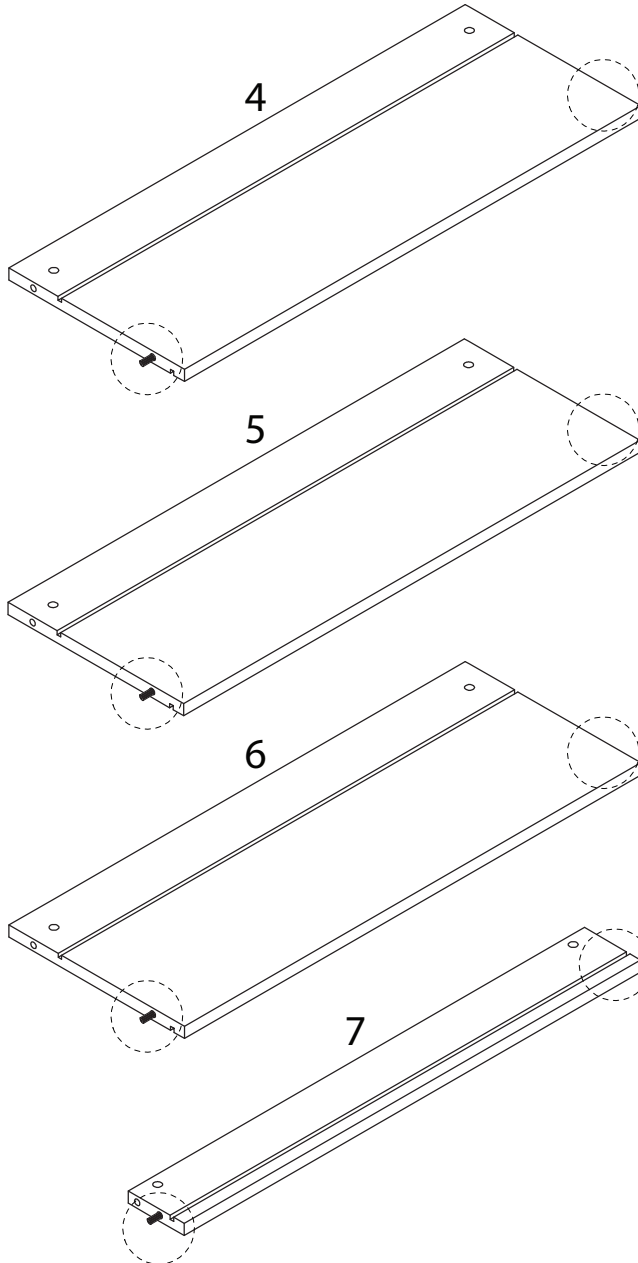
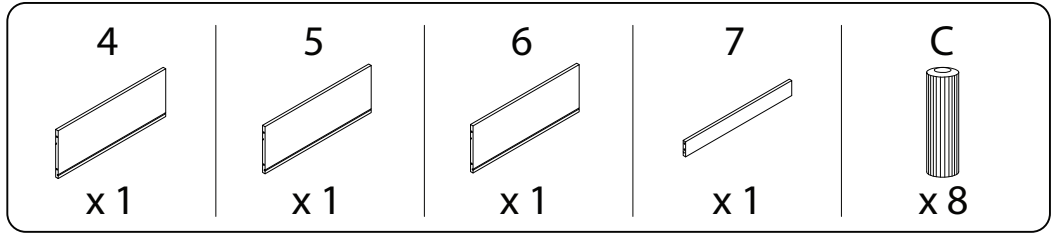
x 1

I

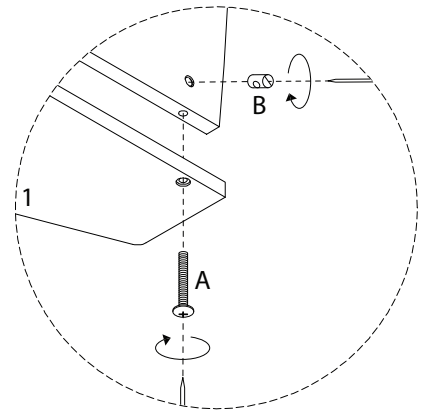
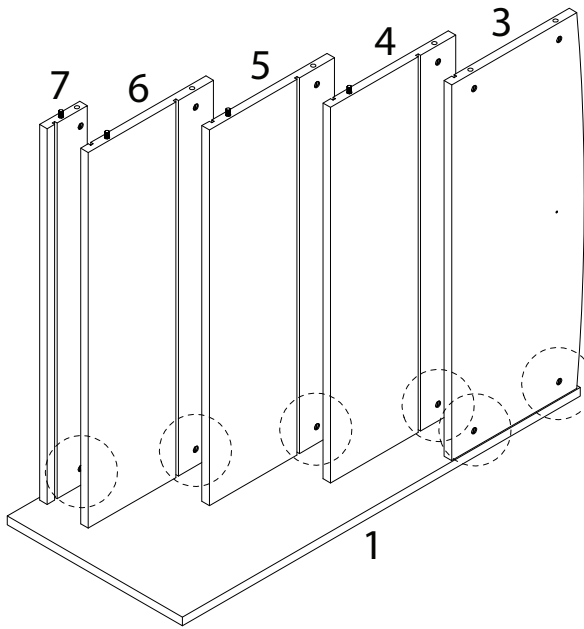
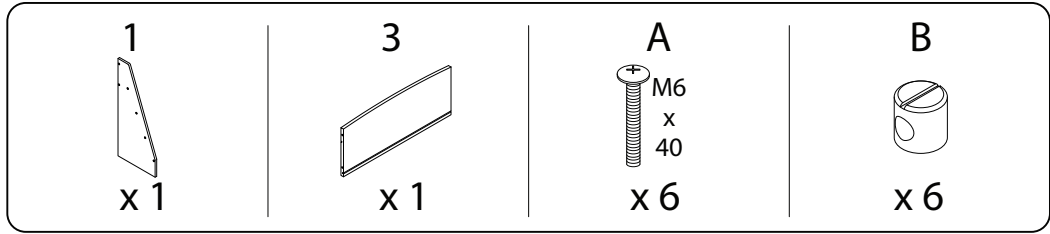


x 1

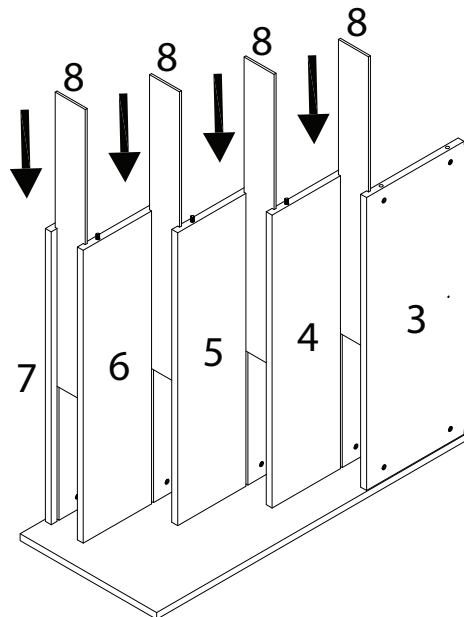
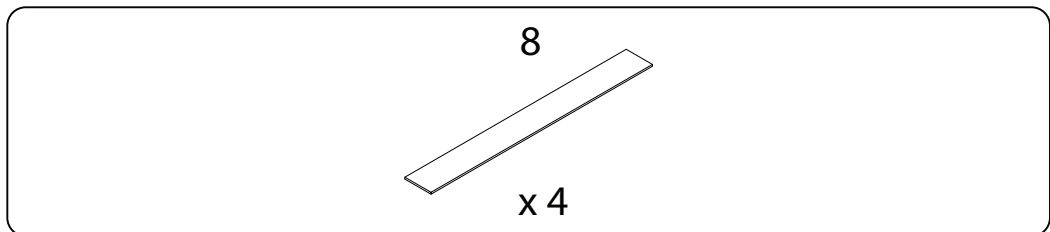
1



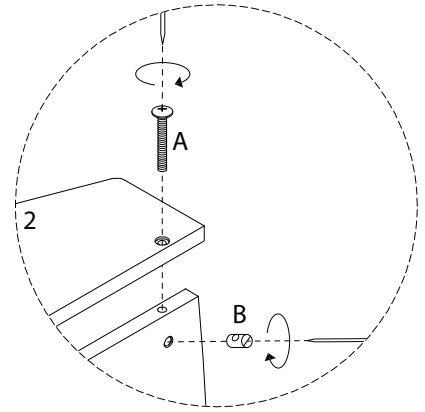
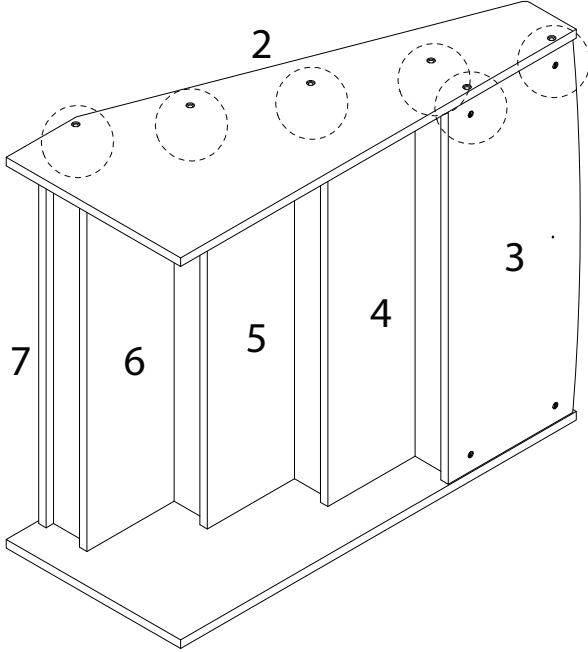
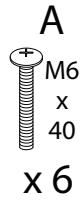
2



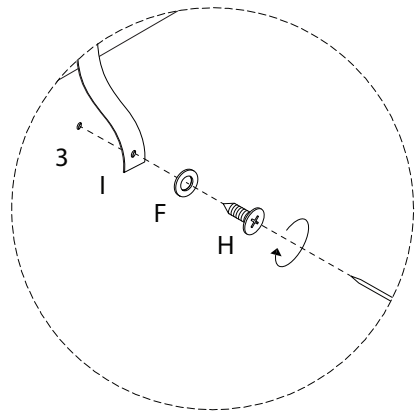
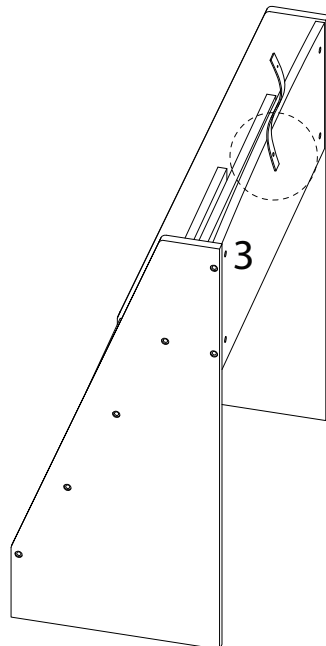
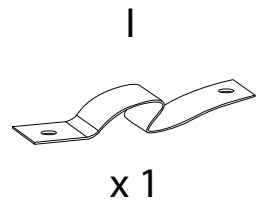
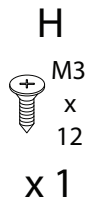
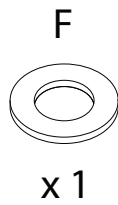
3



4



5



6

