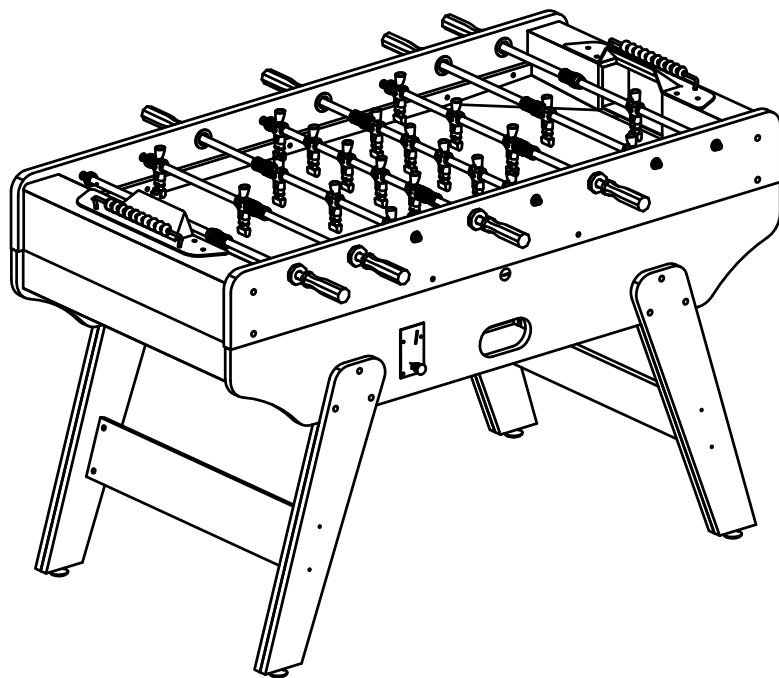
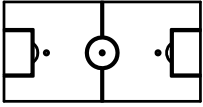
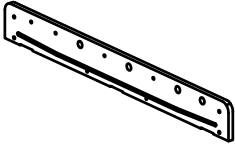
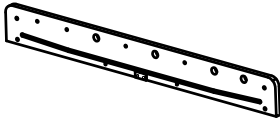
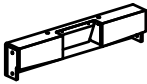
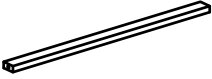
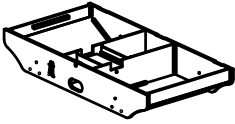

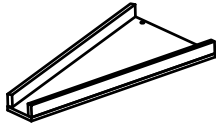
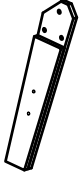
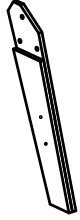
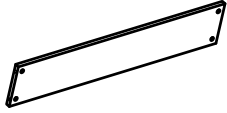
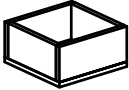




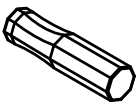
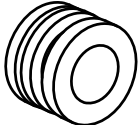



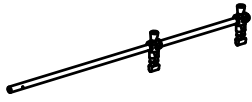
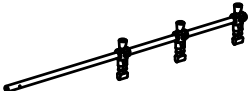
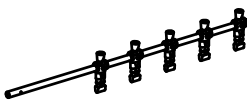

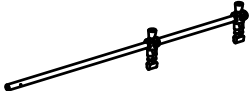

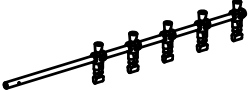







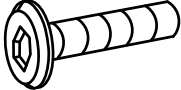
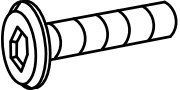
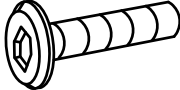









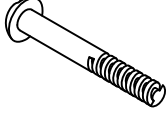


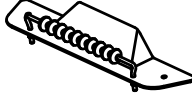
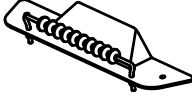
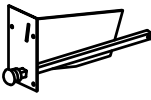

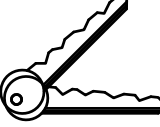

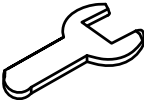
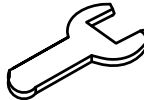
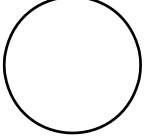


INSTRUCTION MANUAL FOR SOCCER TABLE (GS-ST-1485)

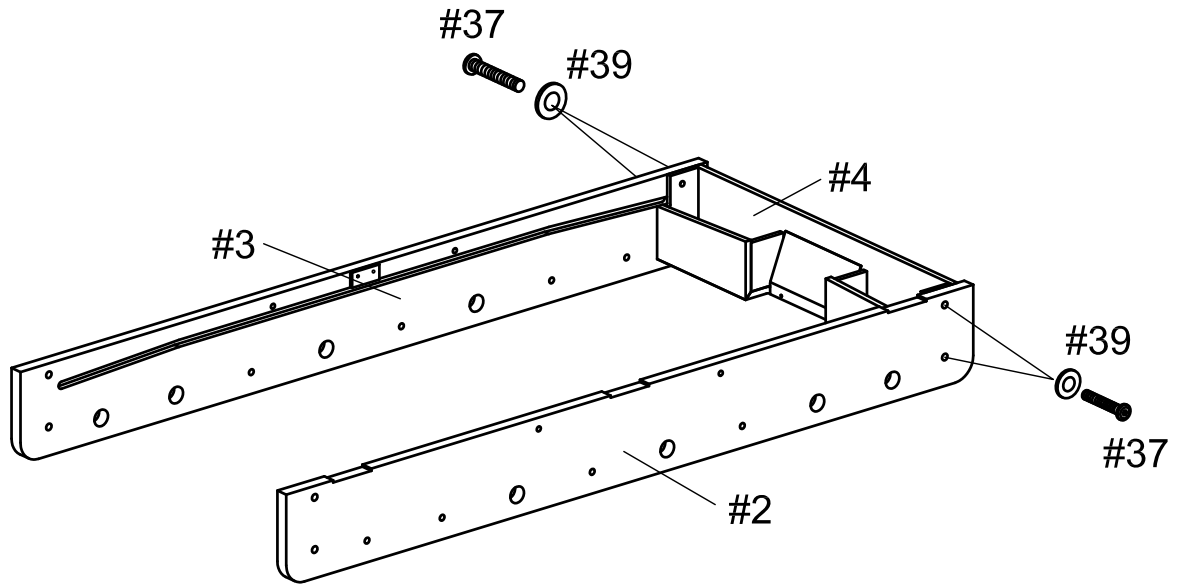


<p>#1</p>  <p>Playfield 1 pc</p>	<p>#2</p>  <p>Side Apron-1 1 pc</p>	<p>#3</p>  <p>Side Apron-2 1 pc</p>	<p>#4</p>  <p>Goal end board 2 pcs</p>
<p>#5</p>  <p>Field support brace 2 pcs</p>	<p>#6</p>  <p>Table body 1 pc</p>	<p>#7</p>  <p>Flow ball board 1 pc</p>	<p>#8</p>  <p>Flow ball board 1 pc</p>
<p>#9</p>  <p>L Leg 2 pcs</p>	<p>#10</p>  <p>R Leg 2 pcs</p>	<p>#11</p>  <p>Leg end panel 2 pcs</p>	<p>#12</p>  <p>Coin box 1 pc</p>
<p>#13</p>  <p>Decorative batten-1 2 pcs</p>	<p>#14</p>  <p>Decorative batten-2 2 pcs</p>	<p>#15</p>  <p>Decorative batten-3 2 pcs</p>	<p>#16</p>  <p>Leg Levelers 4 pcs</p>
<p>#17</p>  <p>Rod handle 8 pcs</p>	<p>#18</p>  <p>Plastic washer 6 pcs</p>	<p>#19</p>  <p>Plastic washer 2 pcs</p>	<p>#20</p>  <p>Plastic washer 8 pcs</p>
<p>#21</p>  <p>1-man rod (red or white) 1 pc</p>	<p>#22</p>  <p>2-man rod (red or white) 1 pc</p>	<p>#23</p>  <p>3-man rod (red or white) 1 pc</p>	<p>#24</p>  <p>5-man rod (red or white) 1 pc</p>

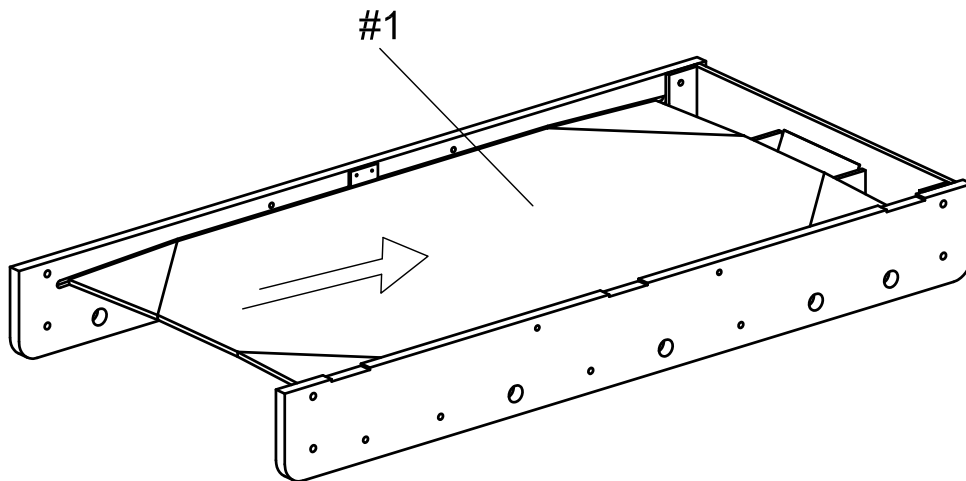
<p>#25</p>  <p>1-man rod(blue or black) 1 pc</p>	<p>#26</p>  <p>2-man rod(blue or black) 1 pc</p>	<p>#27</p>  <p>3-man rod(blue or black) 1 pc</p>	<p>#28</p>  <p>5-man rod(blue or black) 1 pc</p>
<p>#29</p>  <p>support rod 8 pcs</p>	<p>#30</p>  <p>Spring-1 8 pcs</p>	<p>#31</p>  <p>Spring-2 8 pcs</p>	<p>#32</p>  <p>Nut 8 pcs</p>
<p>#33</p>  <p>Washer 5/16" 16 pcs</p>	<p>#34</p>  <p>Player Rod Bearing-A 8 pcs</p>	<p>#35</p>  <p>Player Rod Bearing-B 8 pcs</p>	<p>#36</p>  <p>Bolt 5/16"X41mm 12 pcs</p>
<p>#37</p>  <p>Bolt 5/16"X38mm 8 pcs</p>	<p>#38</p>  <p>Bolt M6X54mm 4 pcs</p>	<p>#39</p>  <p>Washer 5/16"X23mm 20 pcs</p>	<p>#40</p>  <p>Washer 1/4"X16mm 4 pcs</p>
<p>#41</p>  <p>ScrewT4X63mm 8 pcs</p>	<p>#42</p>  <p>ScrewT3X25mm 8 pcs</p>	<p>#43</p>  <p>ScrewF4X25mm 4 pcs</p>	<p>#44</p>  <p>ScrewT4X16mm 10 pcs</p>
<p>#45</p>  <p>ScrewF4X32mm 18 pcs</p>	<p>#46</p>  <p>ScrewF4X16mm 9 pcs</p>	<p>#47</p>  <p>ScrewT4X12mm 1 pc</p>	<p>#48</p>  <p>Bolt 5 pcs</p>

<p>#49</p>  <p>Washer M5X12mm 4 pcs</p>	<p>#50</p>  <p>Nut 4 pcs</p>	<p>#51</p>  <p>Scorer (red or white) 1 pc</p>	<p>#52</p>  <p>Scorer (blue or black) 1 pc</p>
<p>#53</p>  <p>Coin system 1 pc</p>	<p>#54</p>  <p>Iron 1 pc</p>	<p>#55</p>  <p>Key 2 pcs</p>	<p>#56</p>  <p>Wrench 1 pc</p>
<p>#57</p>  <p>Wrench 1 pc</p>	<p>#58</p>  <p>Wrench 1 pc</p>	<p>#59</p>  <p>Ball 10 pcs</p>	

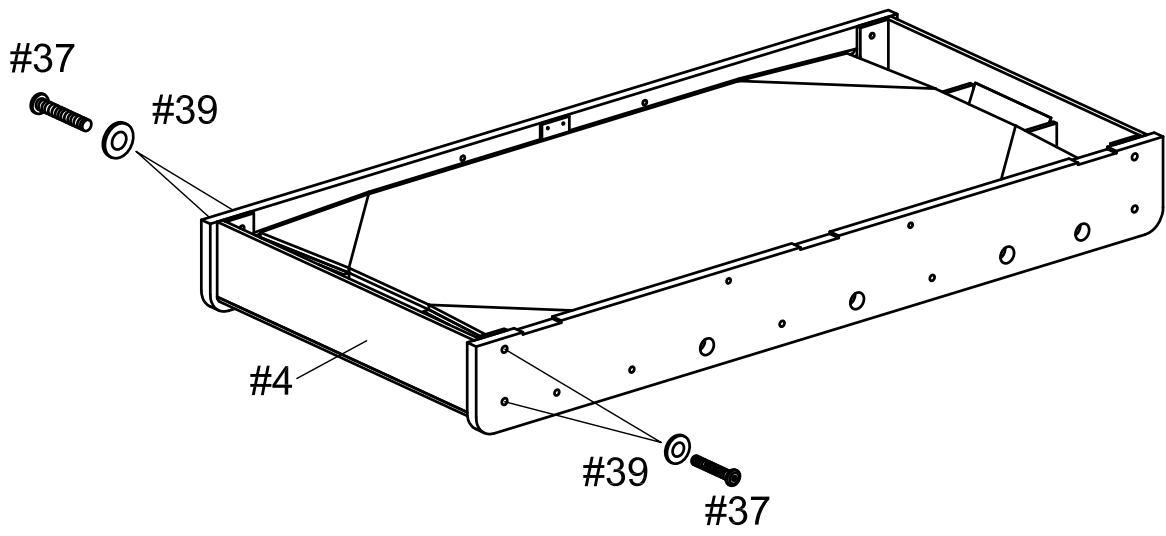
STEP 1:



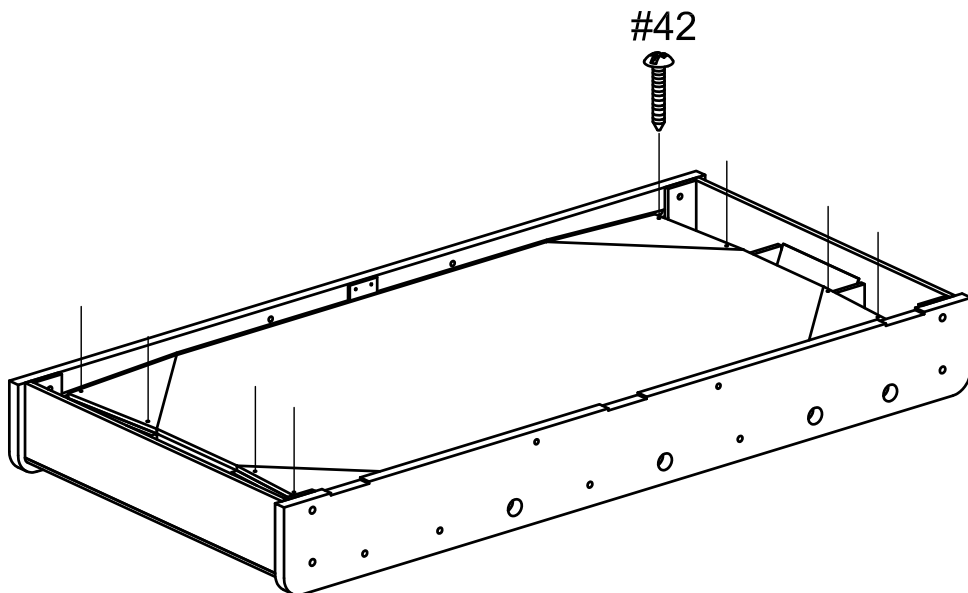
STEP 2:



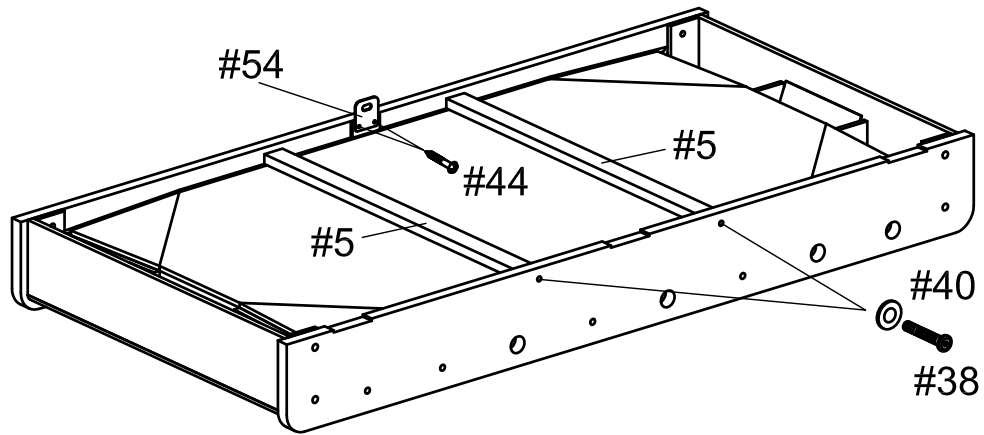
STEP 3:



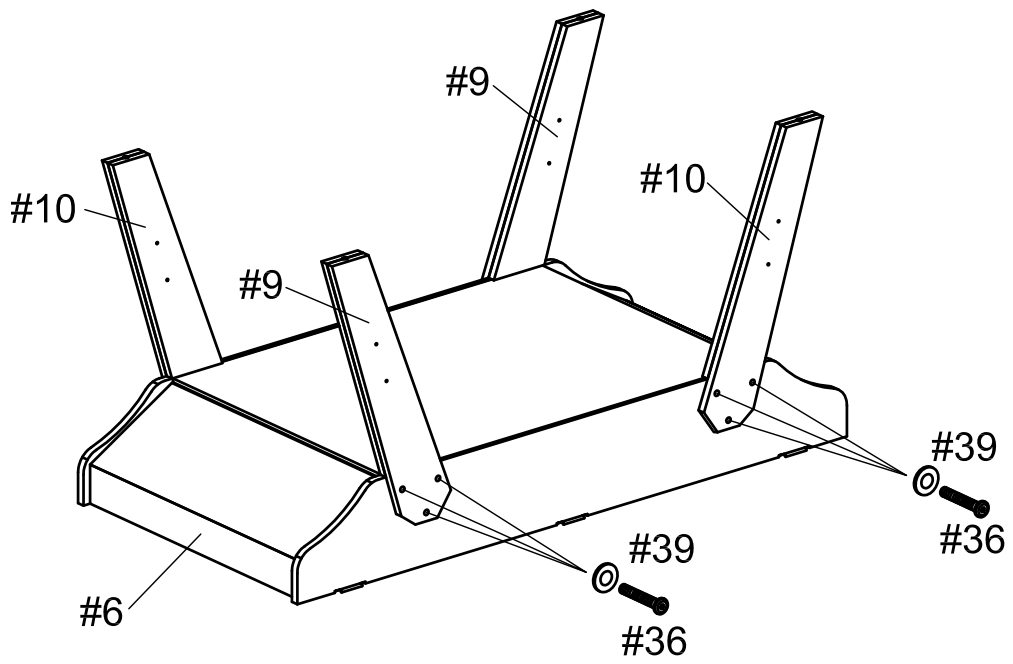
STEP 4:



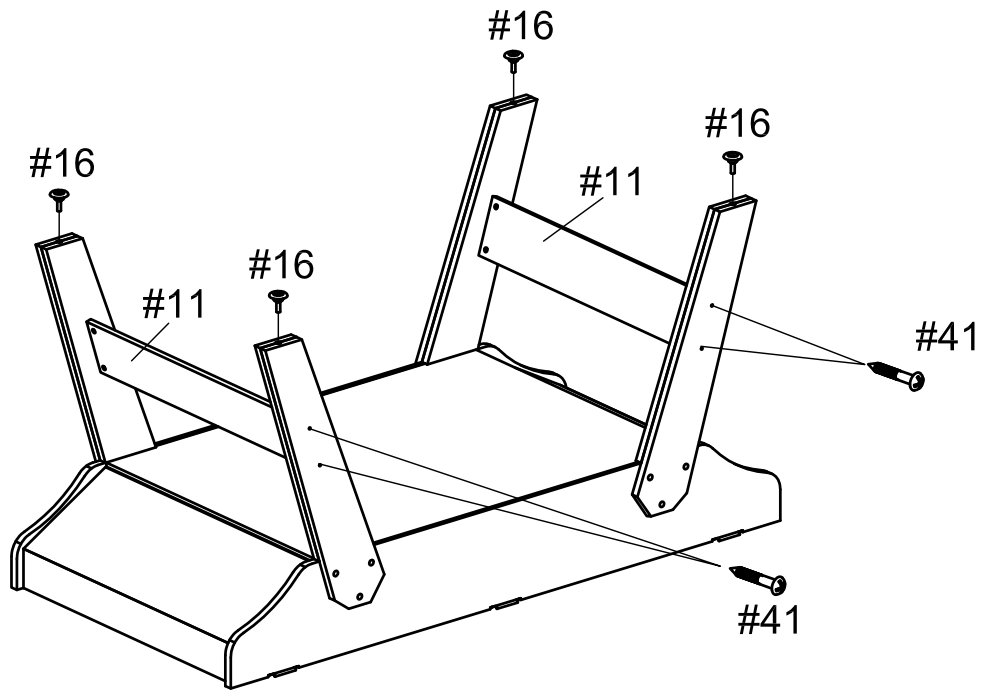
STEP 5:



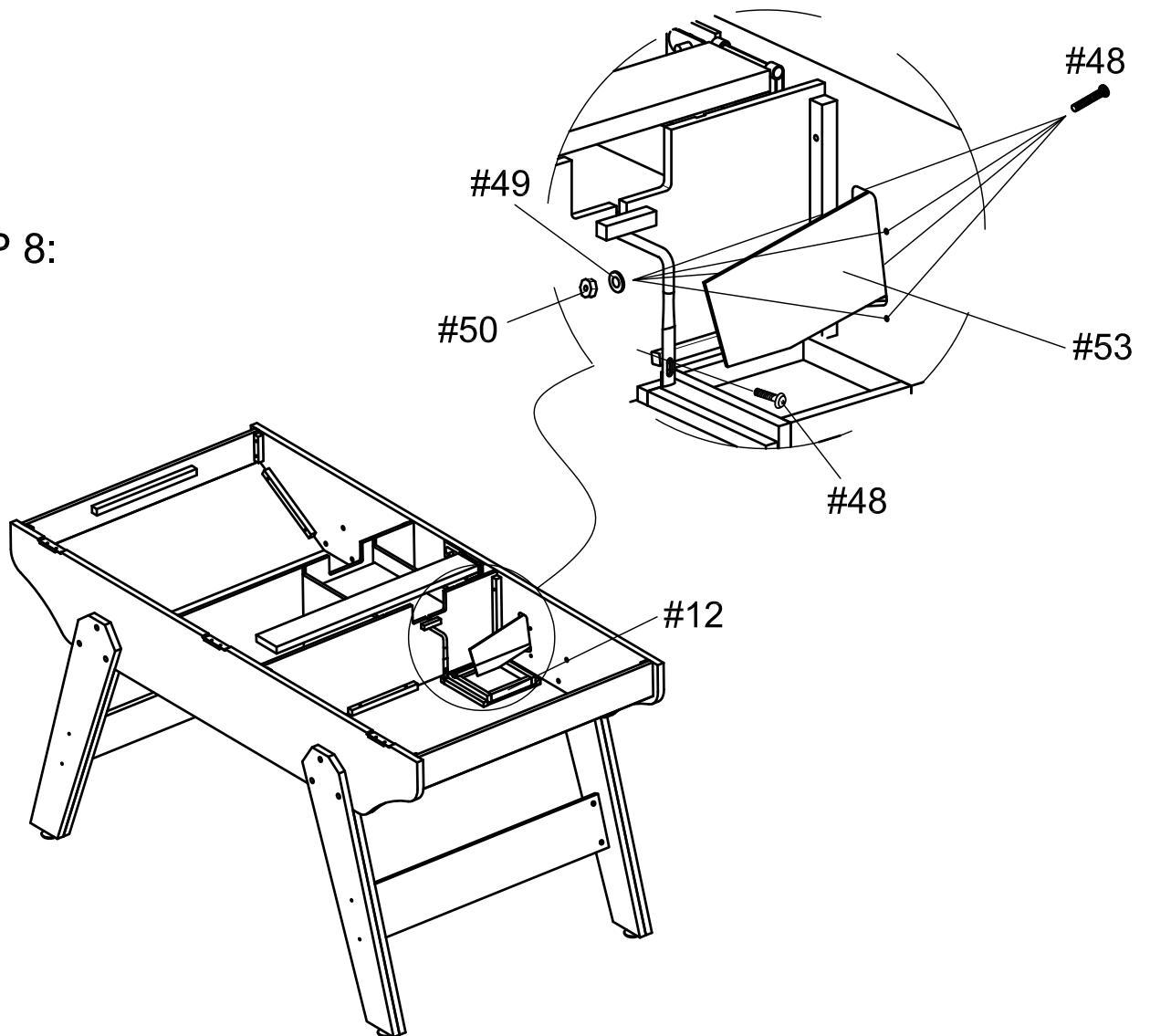
STEP 6:



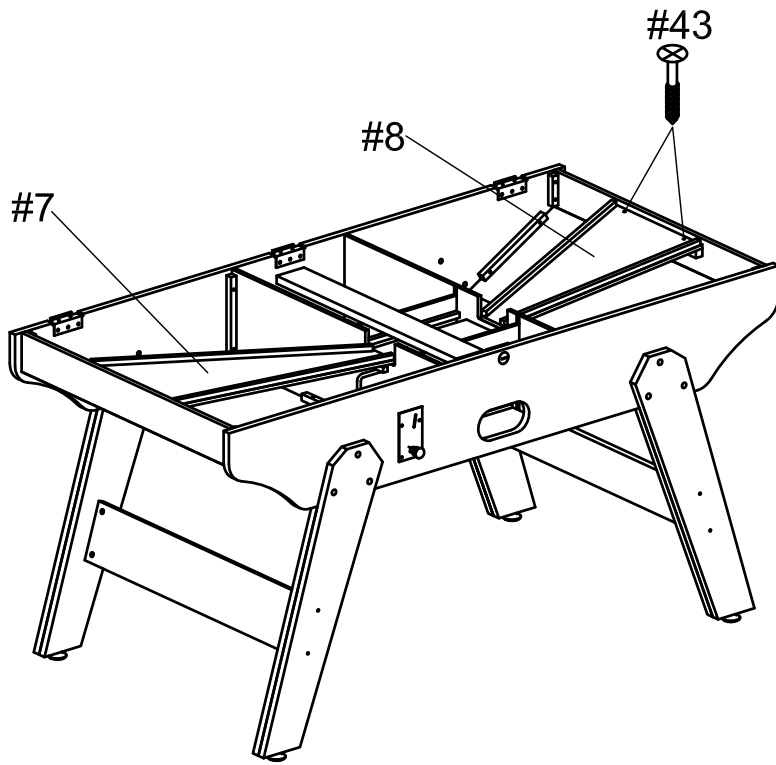
STEP 7:



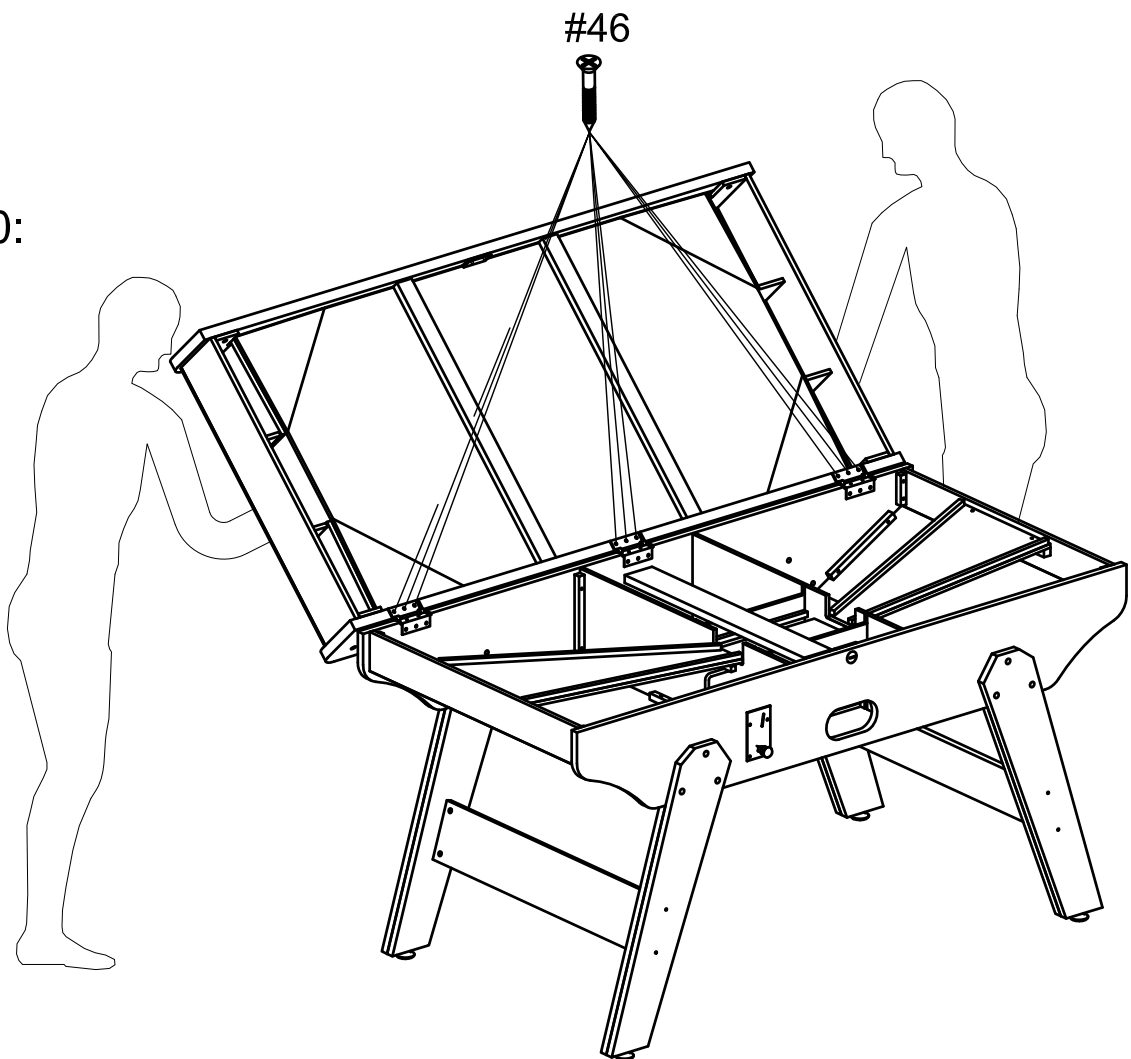
STEP 8:



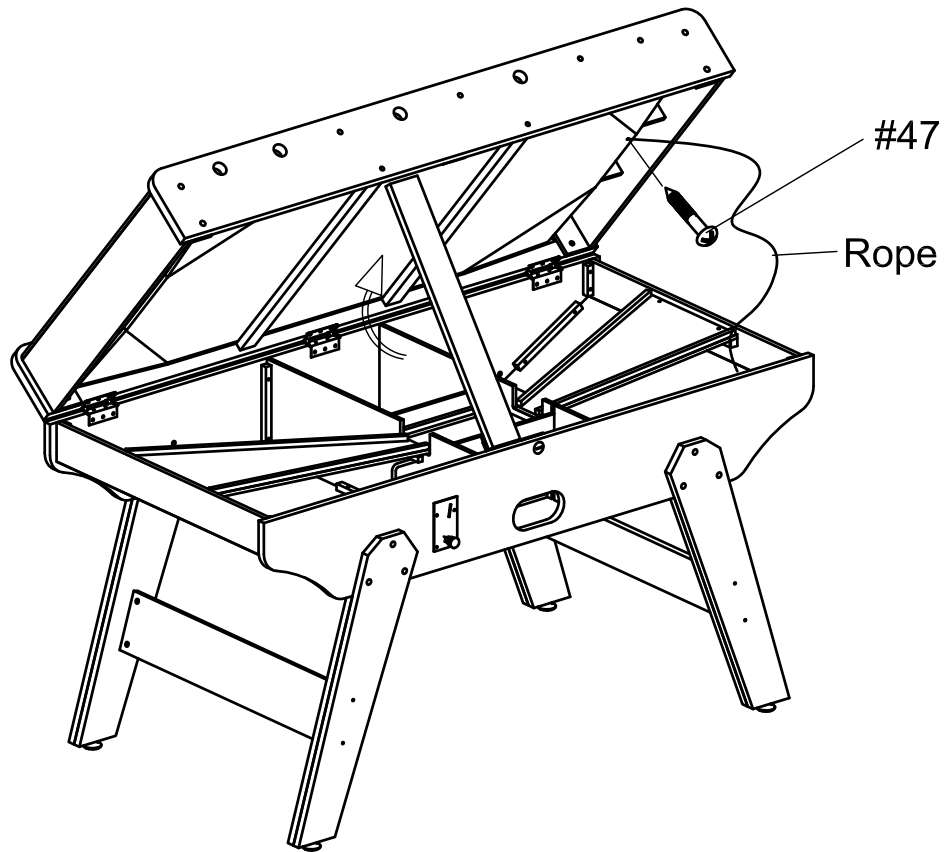
STEP 9:



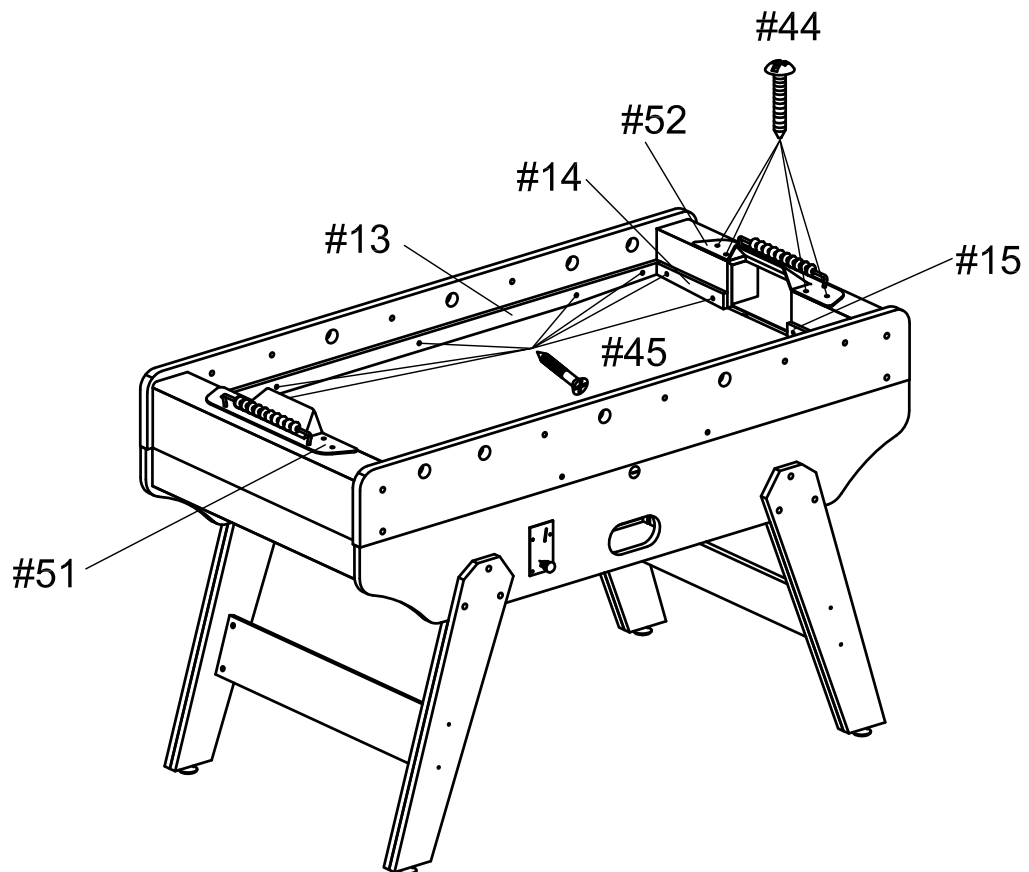
STEP 10:



STEP 11:



STEP 12:



STEP 13:

