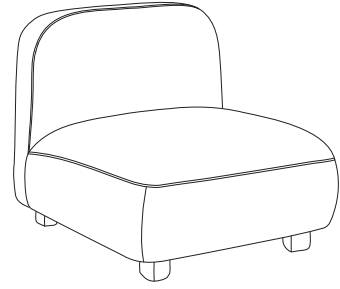
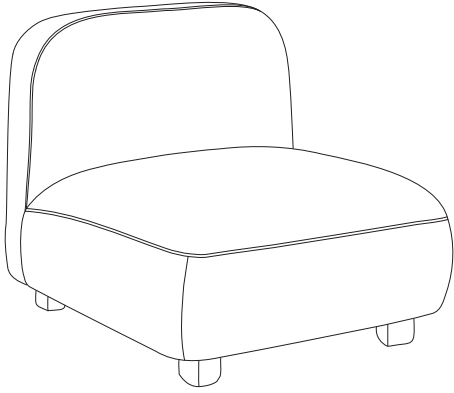
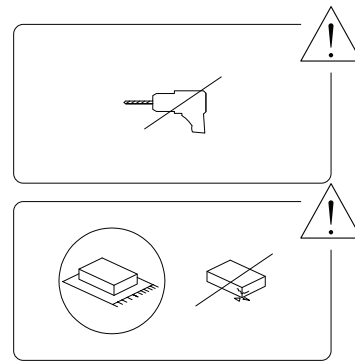


AMLI

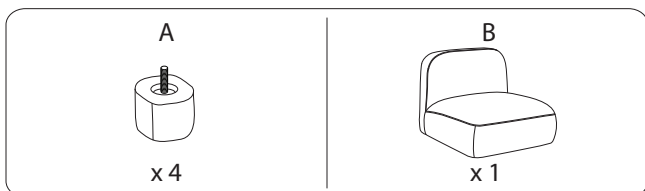
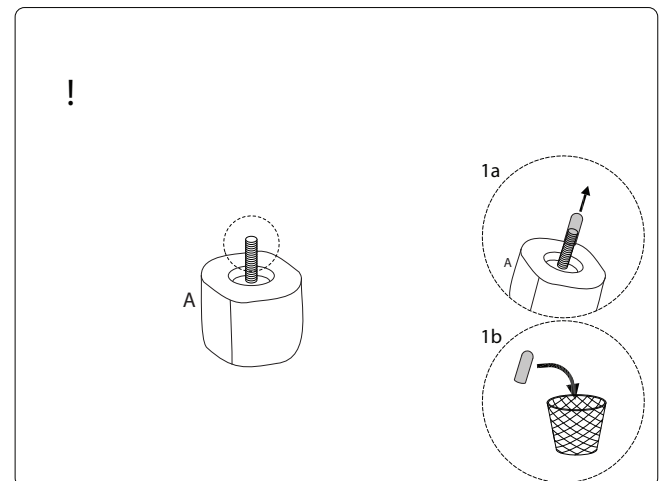
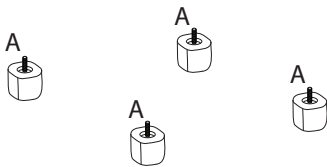
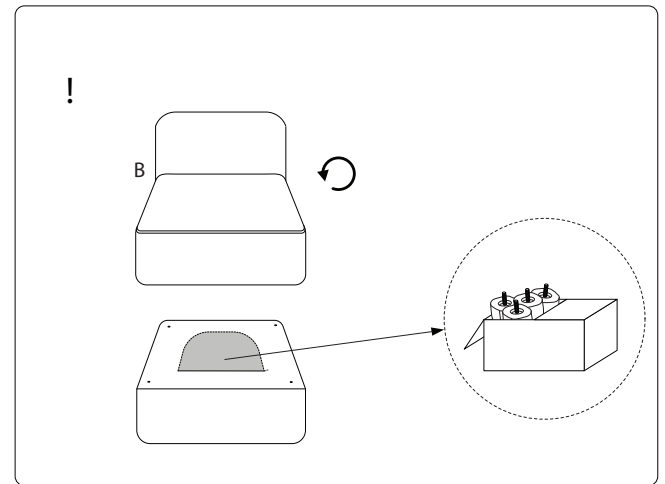
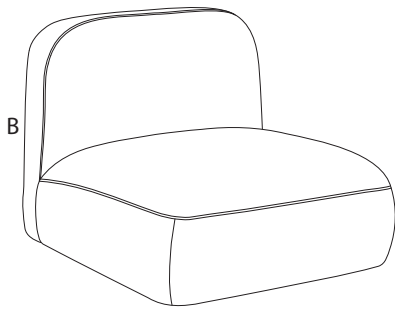


1/5



2/5

713/AMLI/120526



3/5

4/5

713/AMLI/120526

713/AMLI/120526

