
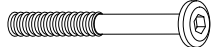


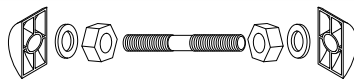

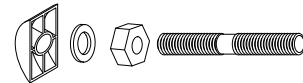


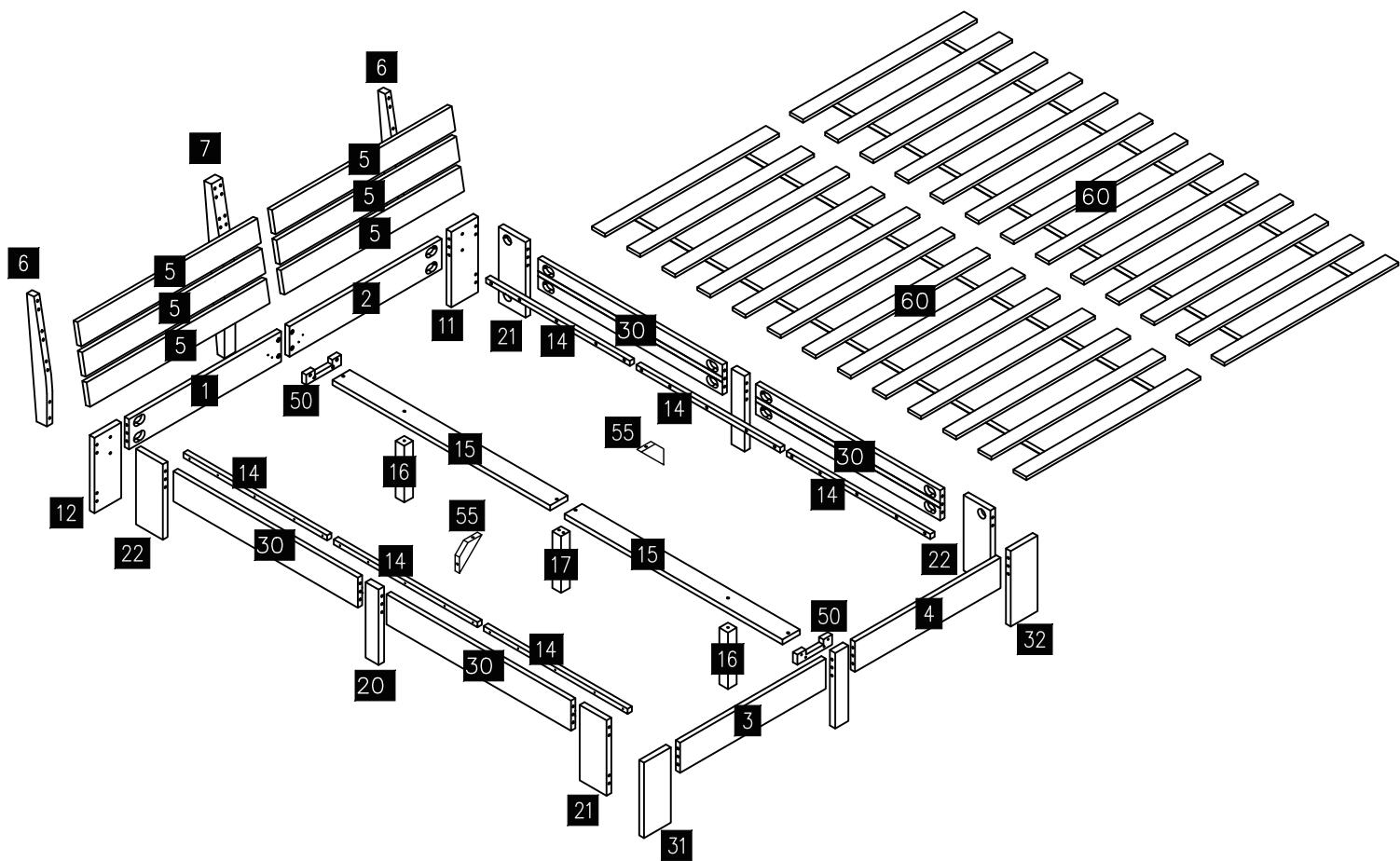
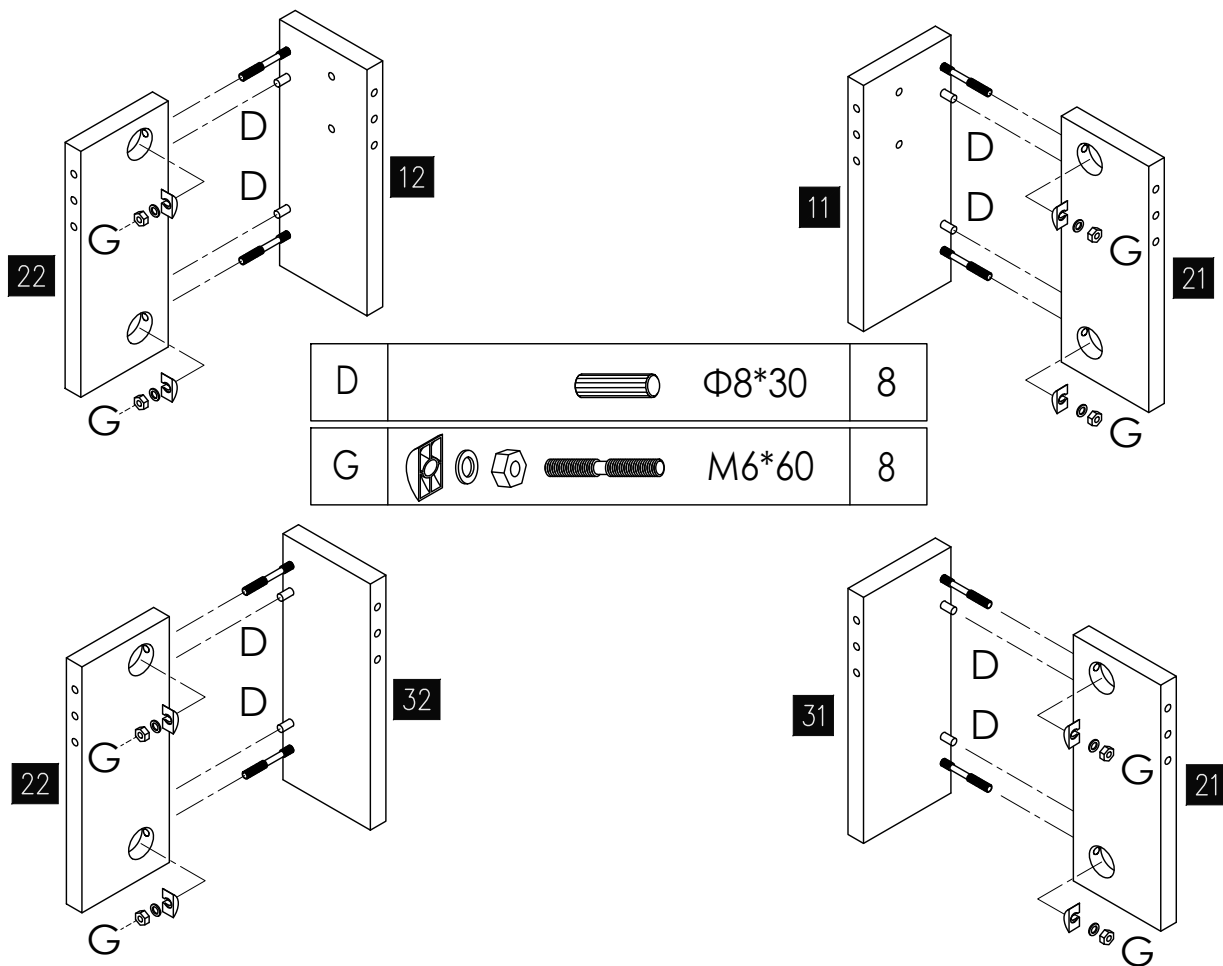


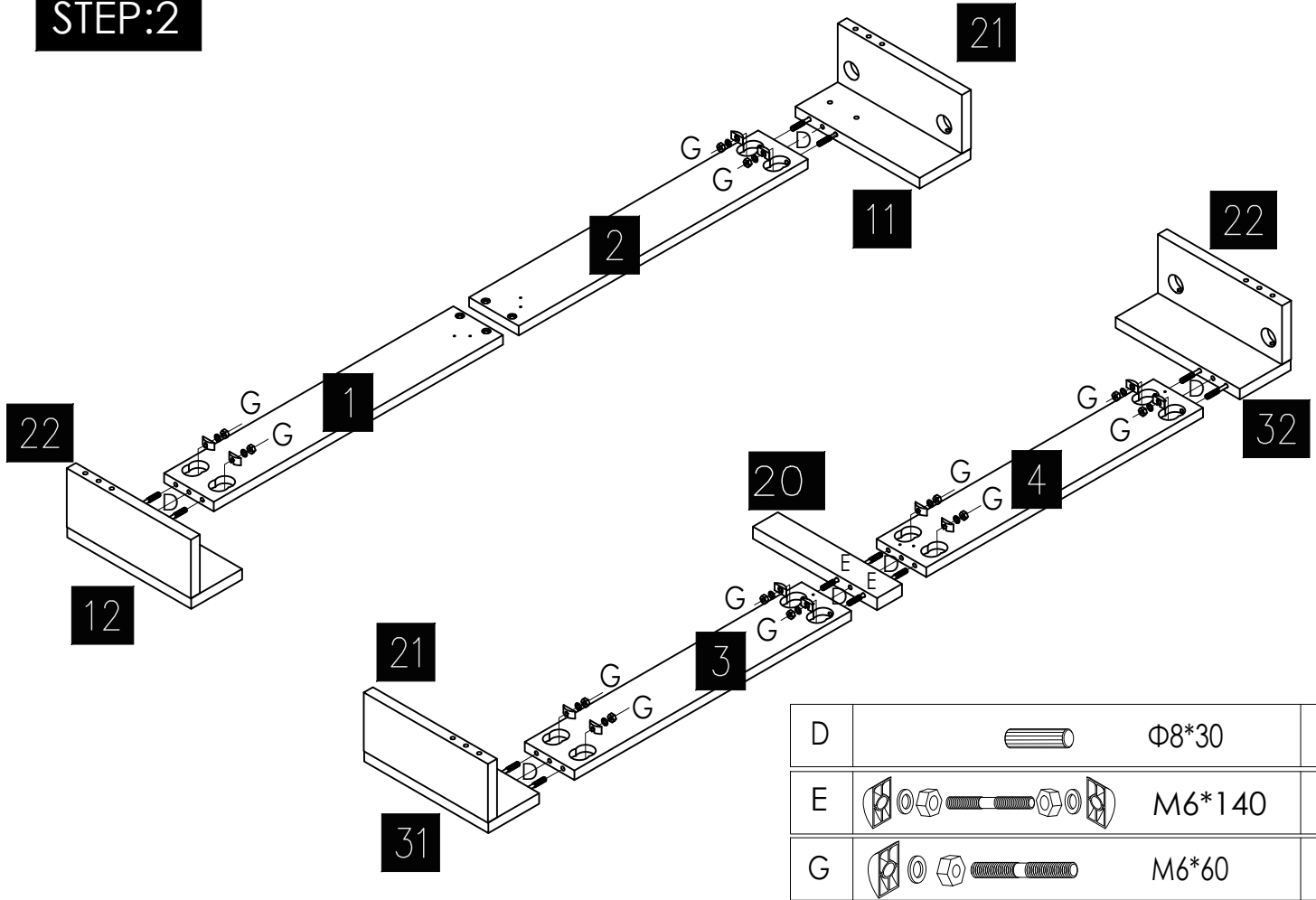
A		4*30	96
B		M6*40	24
C			2
D		Φ8*30	22
E		M6*140	6
F		M6*60	8
G		M6*60	24
H		Φ7*60	4
I			2



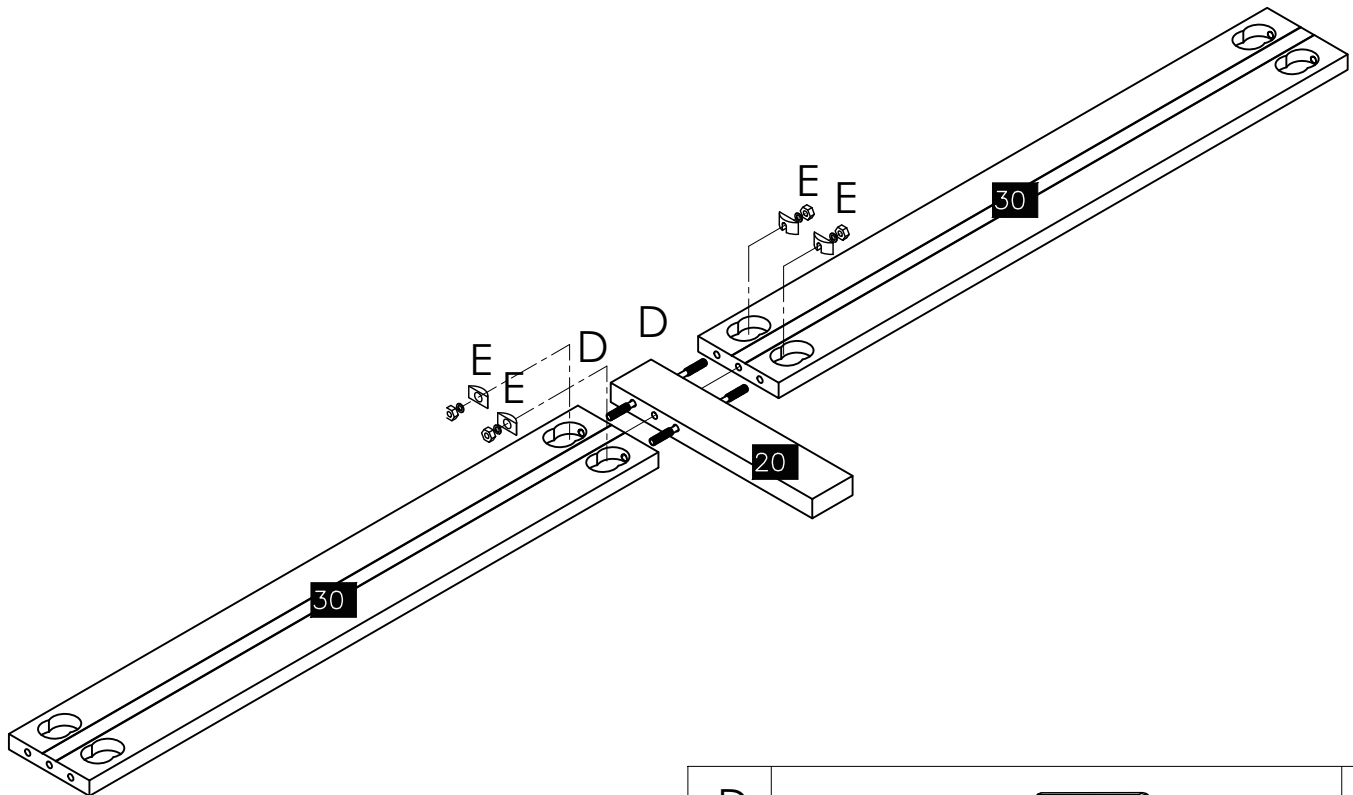
STEP:1



STEP:2

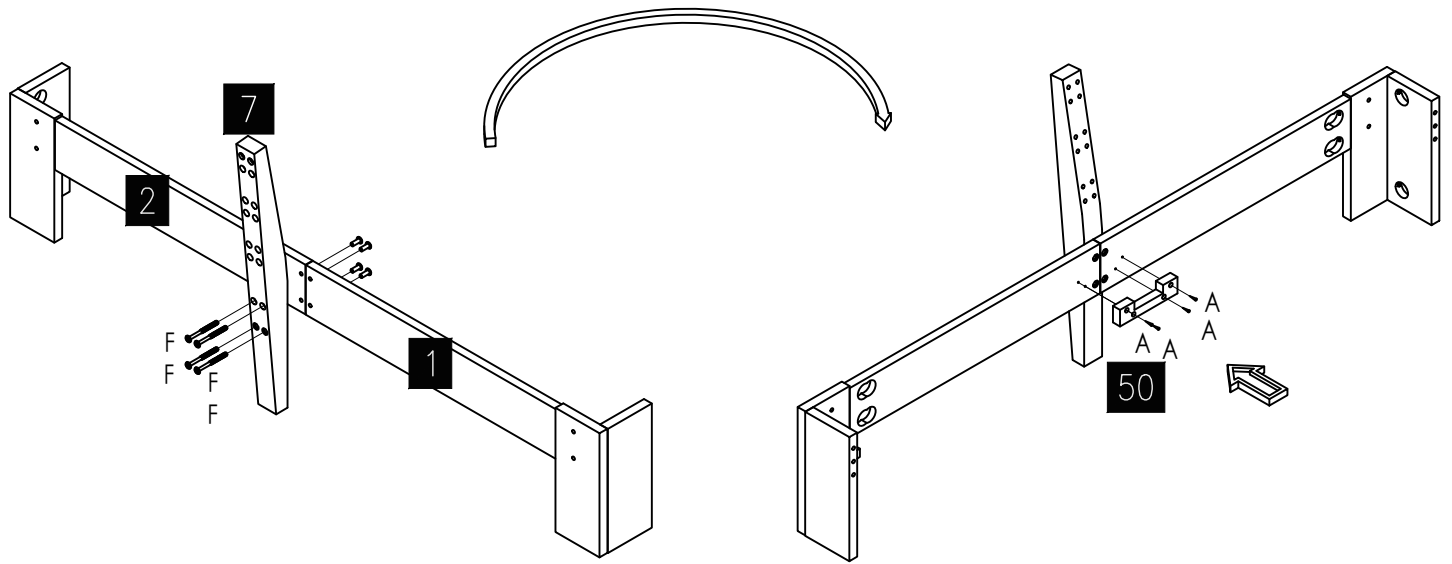




STEP:3 x 2



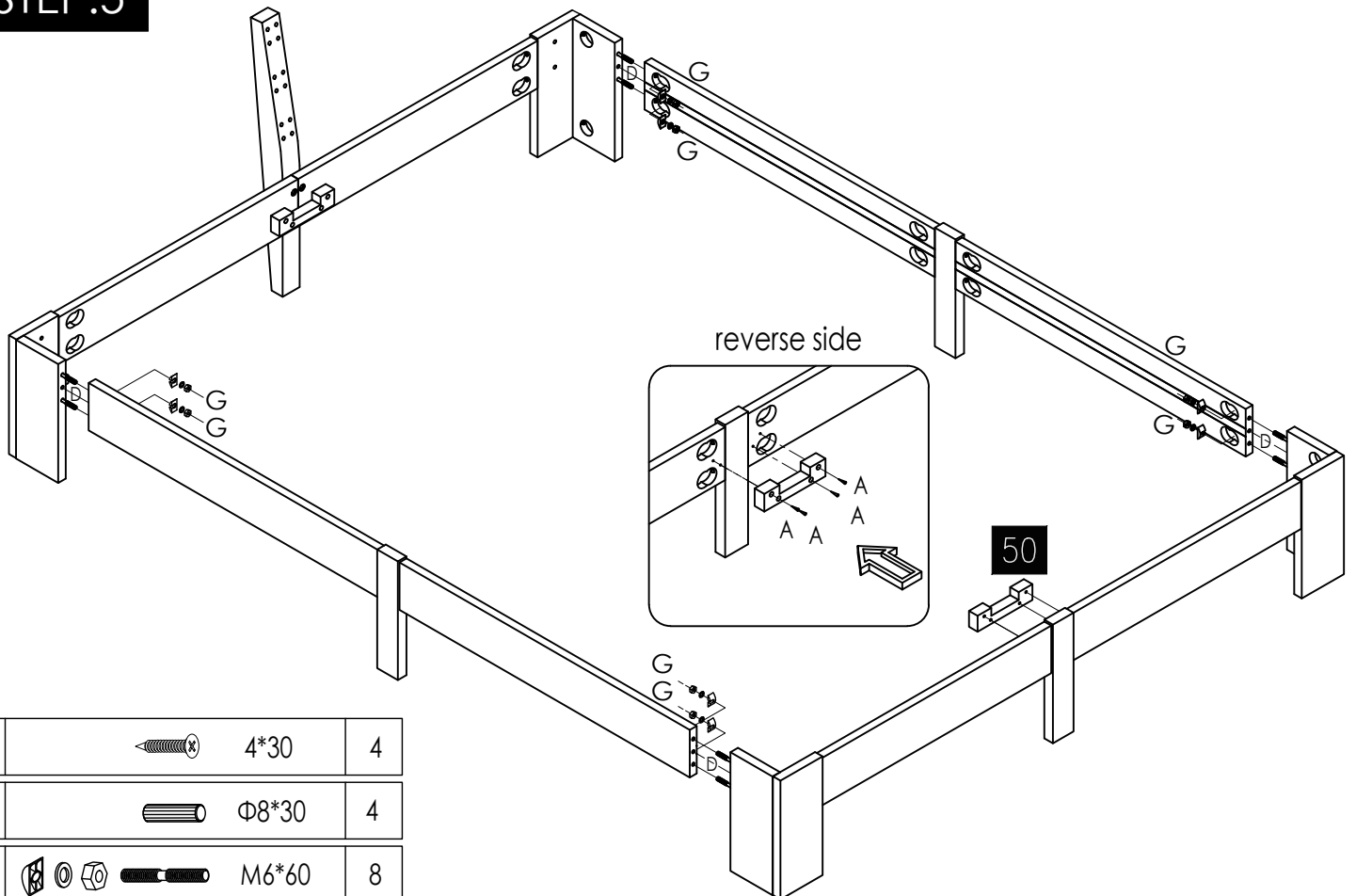
D		Φ8*30	4
E		M6*140	4




STEP:4



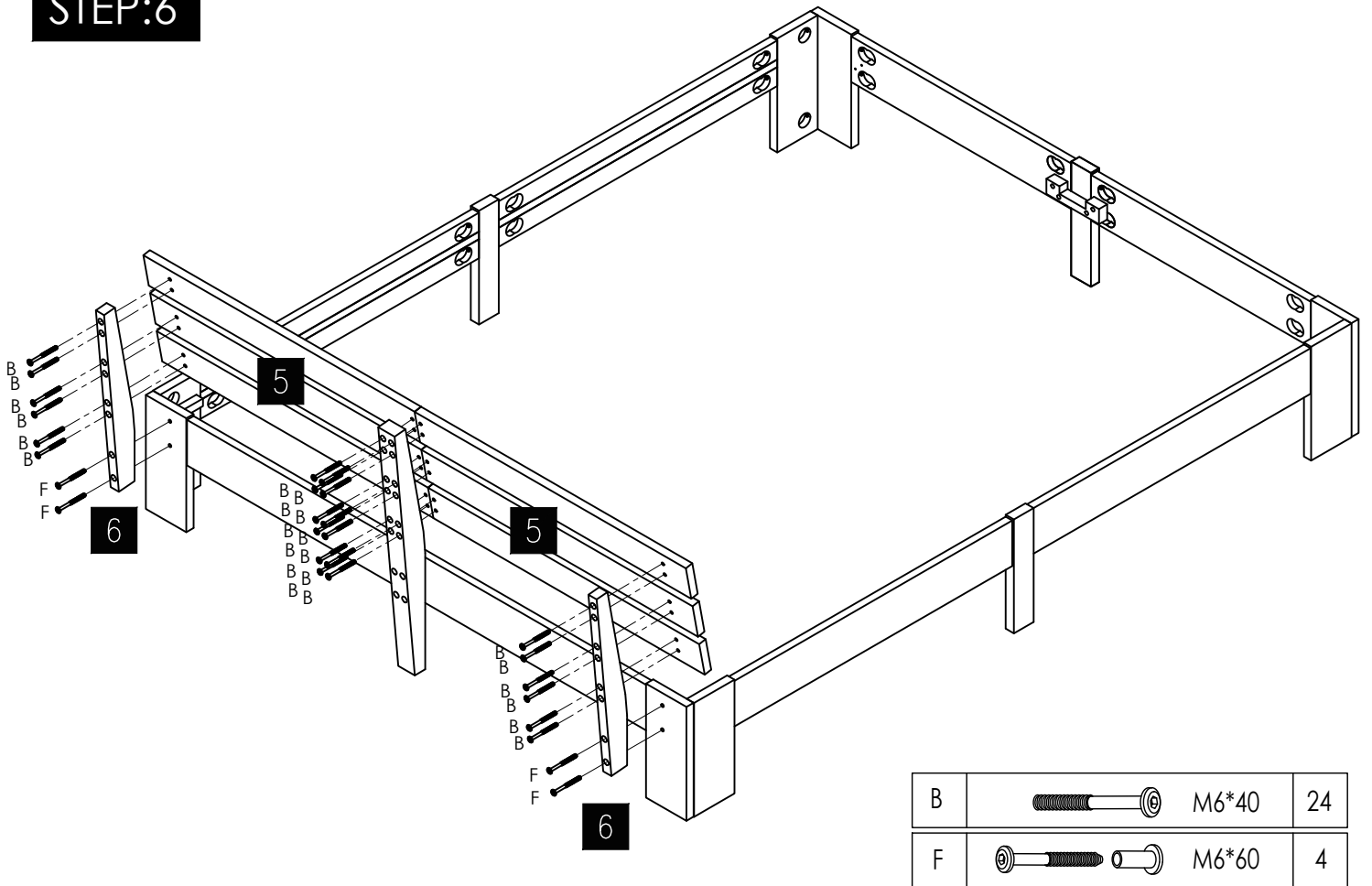
A		4*30	4
F		M6*60	4

STEP:5

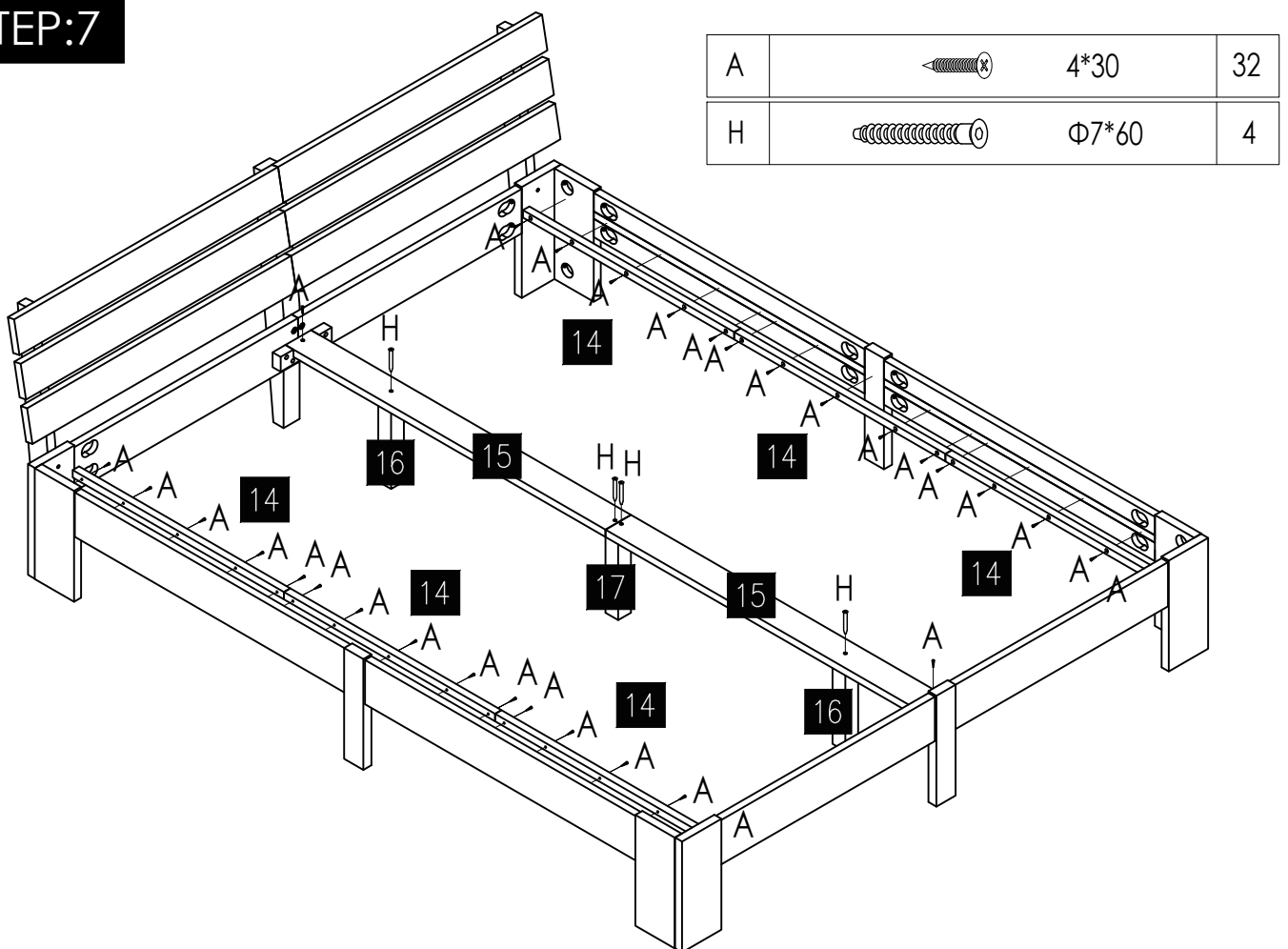


A		4*30	4
D		Φ8*30	4
G		M6*60	8

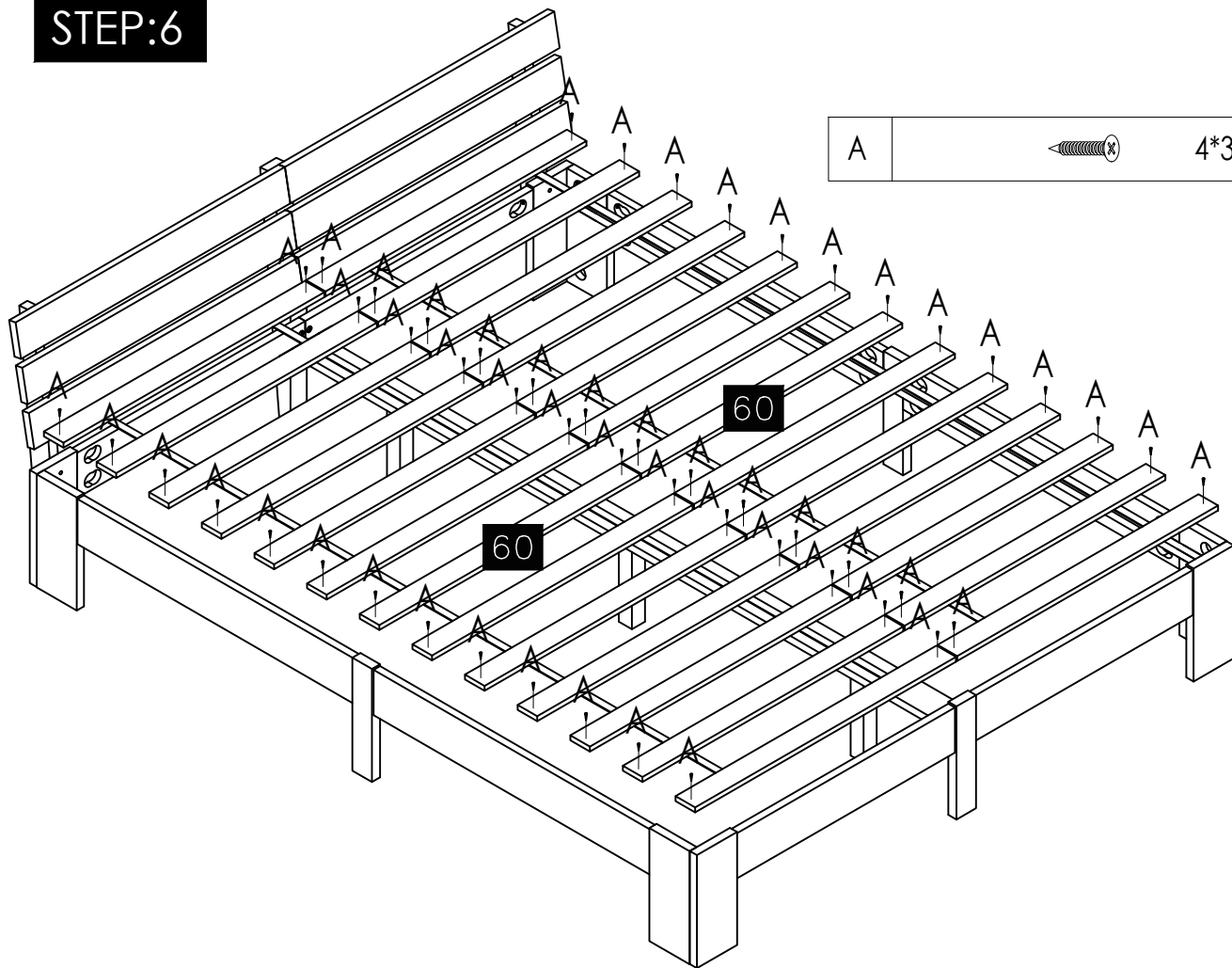
STEP:6




STEP:7

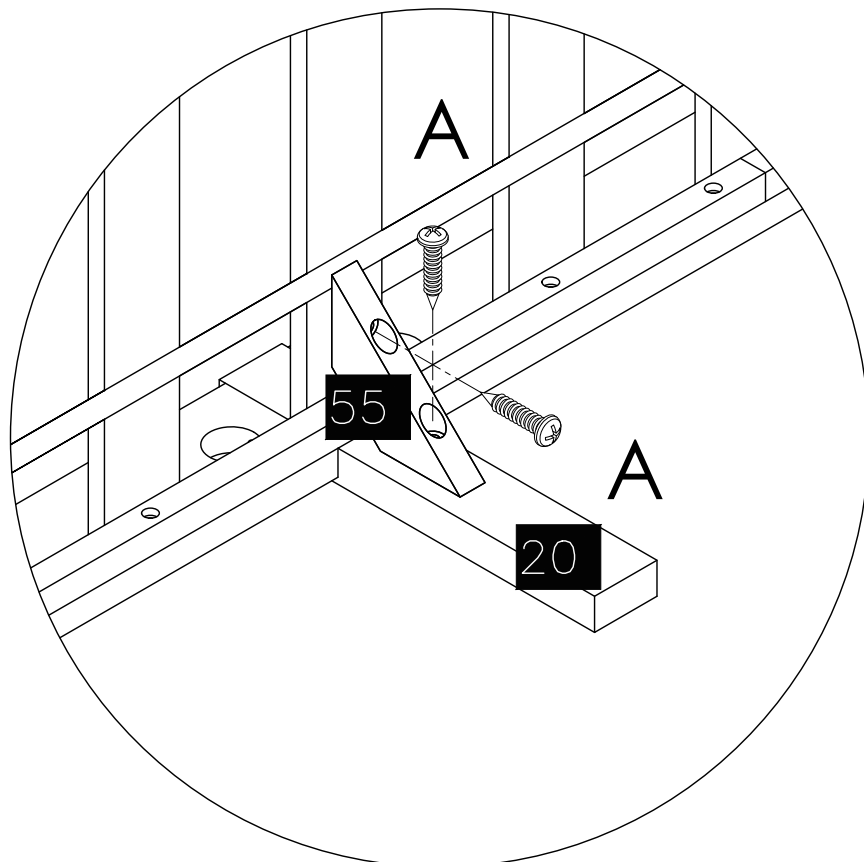


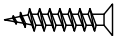
STEP:6



A		4*30	52
---	---	------	----

STEP:7



A		4*30	4
---	---	------	---