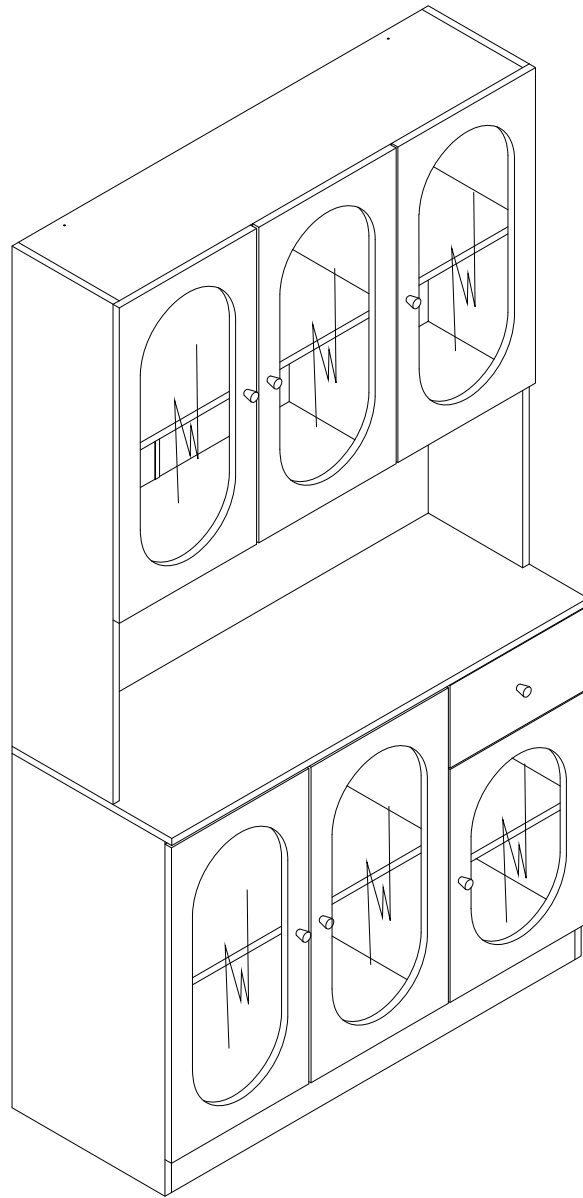
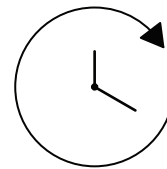
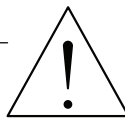
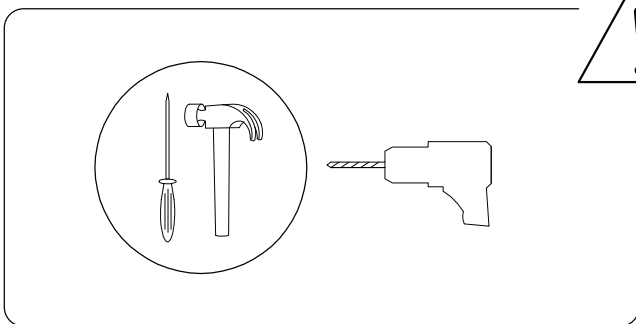
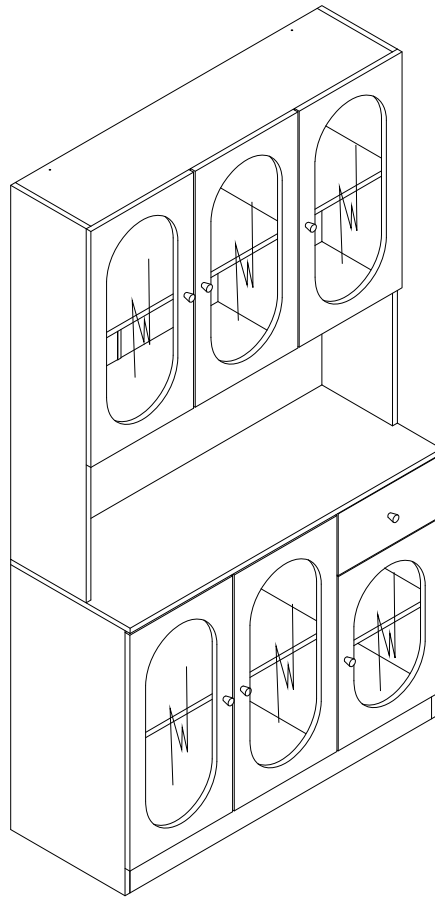
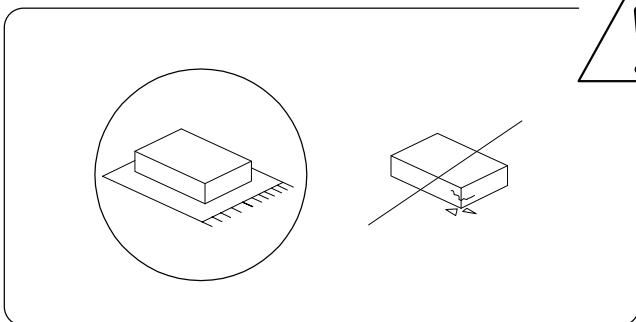


LANGFORD

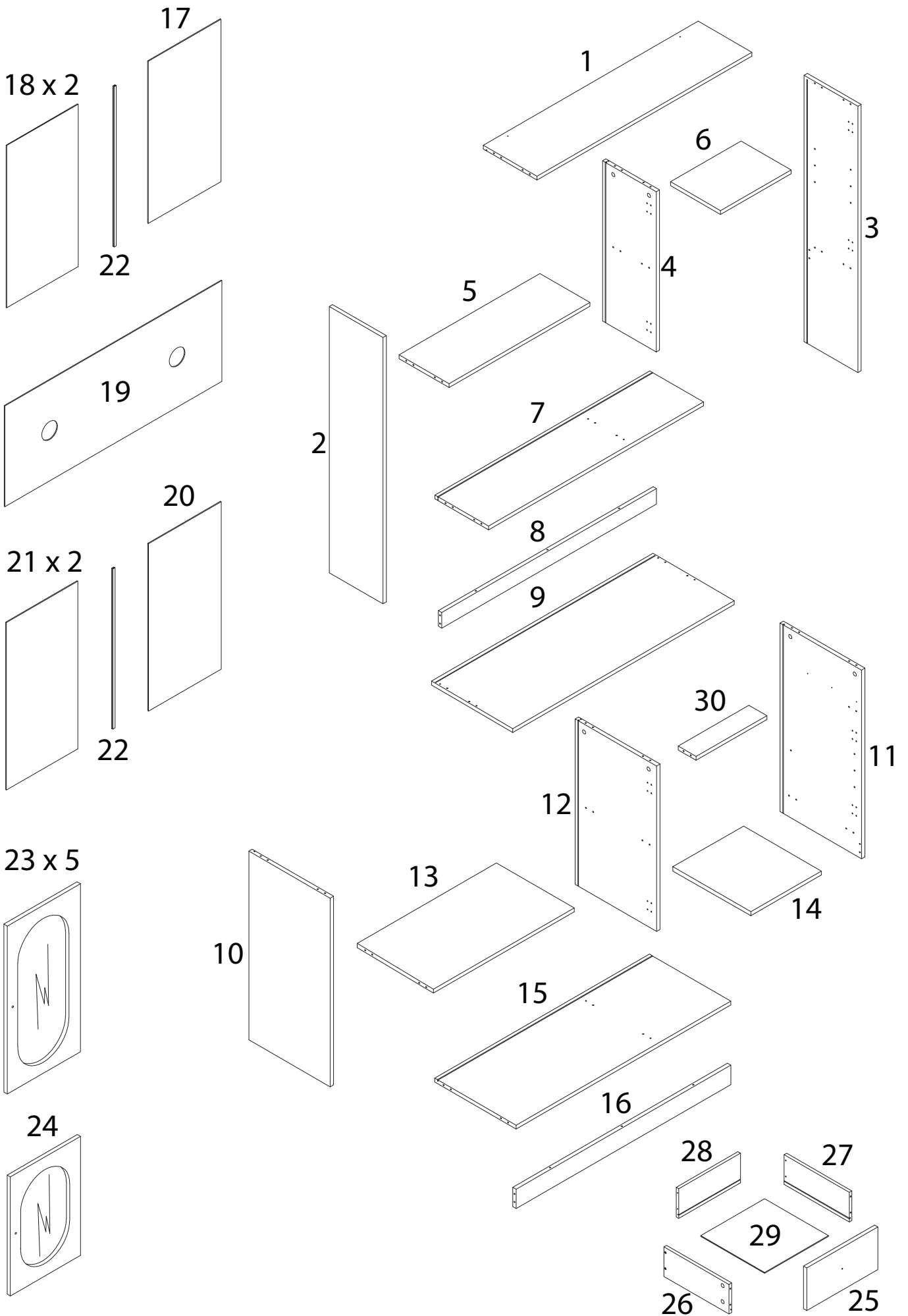


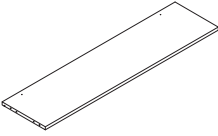



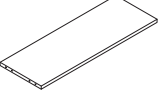
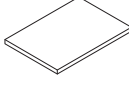
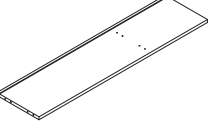
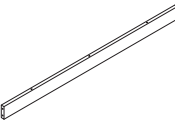
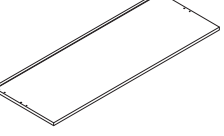



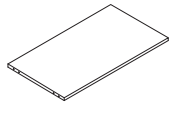
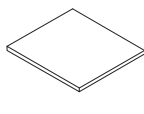
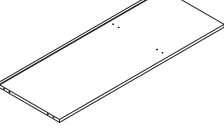
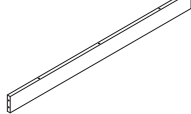


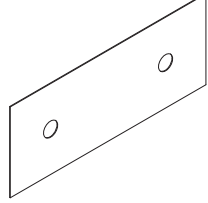





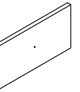


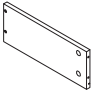
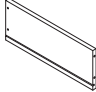
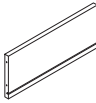
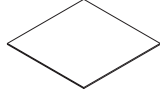
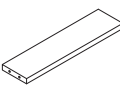

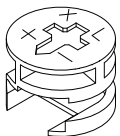

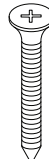
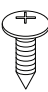
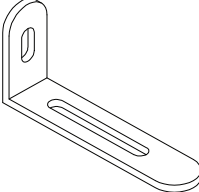
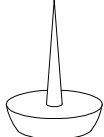
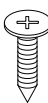
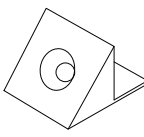

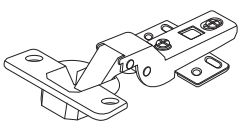
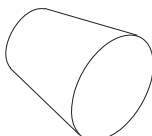

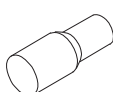


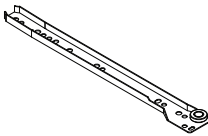
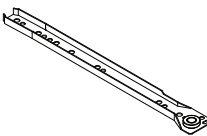
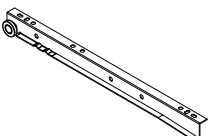
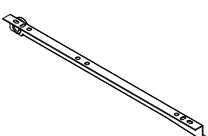
90'



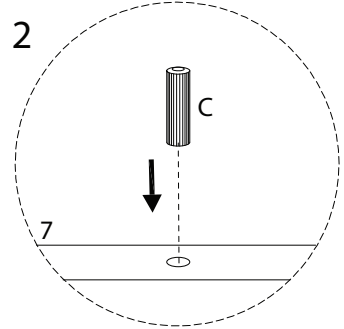
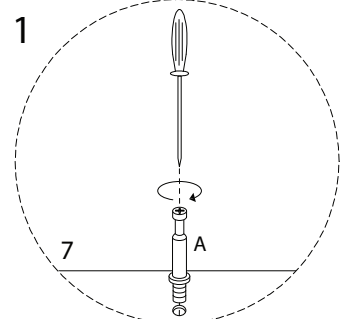
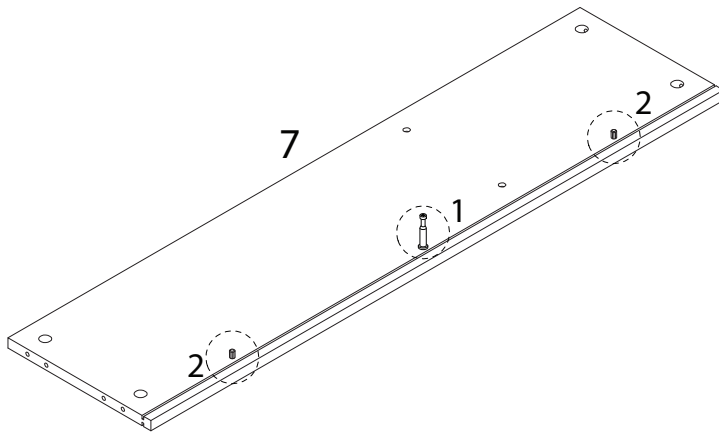
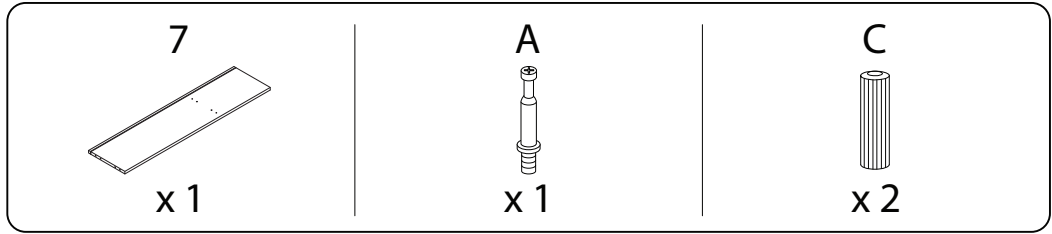
2



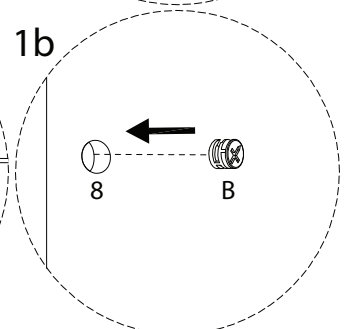
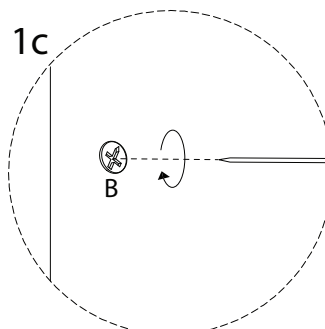
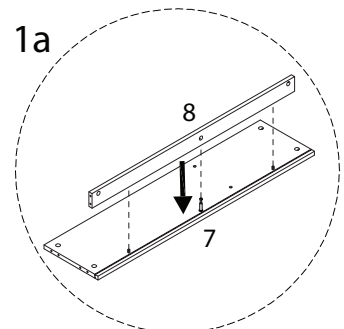
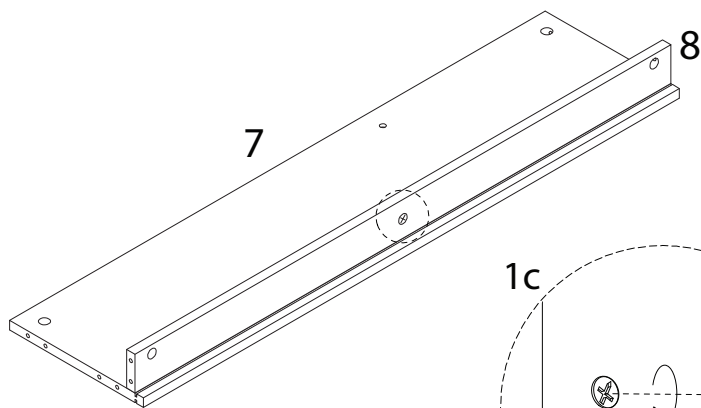
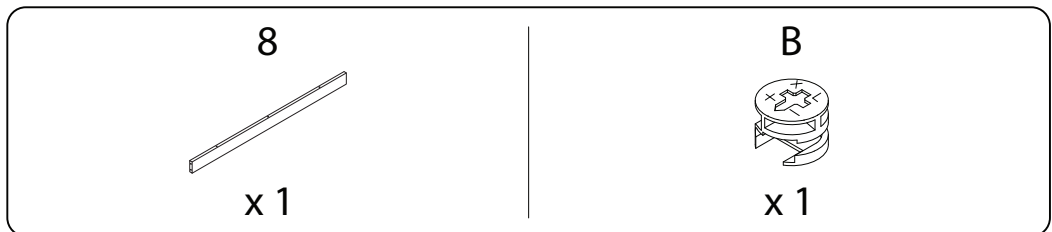
1  x 1	2  x 1	3  x 1	4  x 1	5  x 1
6  x 1	7  x 1	8  x 1	9  x 1	10  x 1
11  x 1	12  x 1	13  x 1	14  x 1	15  x 1
16  x 1	17  x 1	18  x 2	19  x 1	20  x 1
21  x 2	22  x 2	23  x 5	24  x 1	25  x 1

26  x 1	27  x 1	28  x 1	29  x 1	30  x 1
A  x 40	B  x 40	C  x 46	D  M4 x 35 x 14	E  M4 x 12 x 2
F  x 2	G  x 6	H  M3 x 14 x 24	I  x 24	J  M3.5 x 12 x 72
K  x 12	L  x 7	M  M4 x 16 x 7	N  x 8	O  x 2
P  M3 x 12 x 12	Q1L  x 1	Q1R  x 1	Q2L  x 1	Q2R  x 1

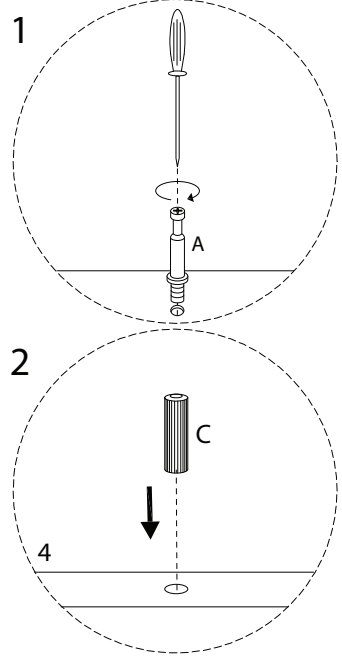
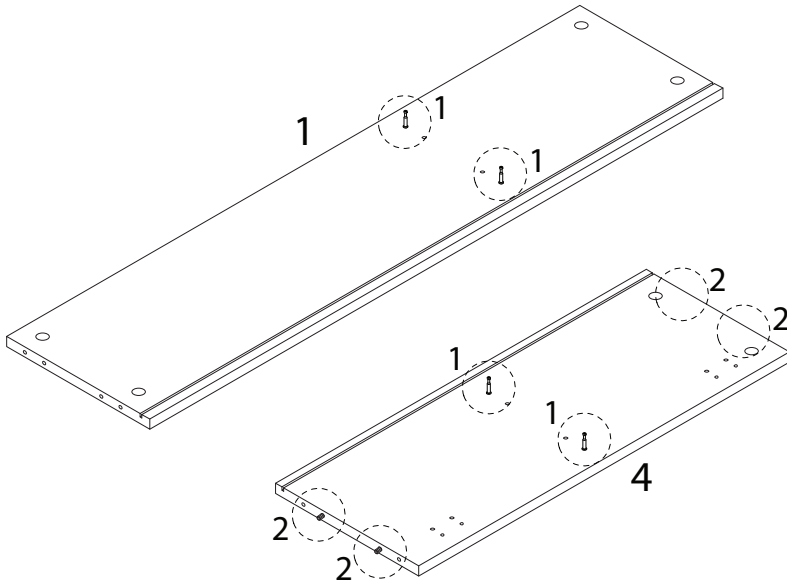
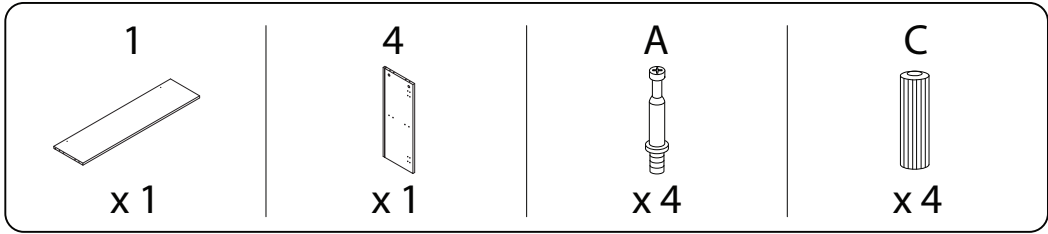
1



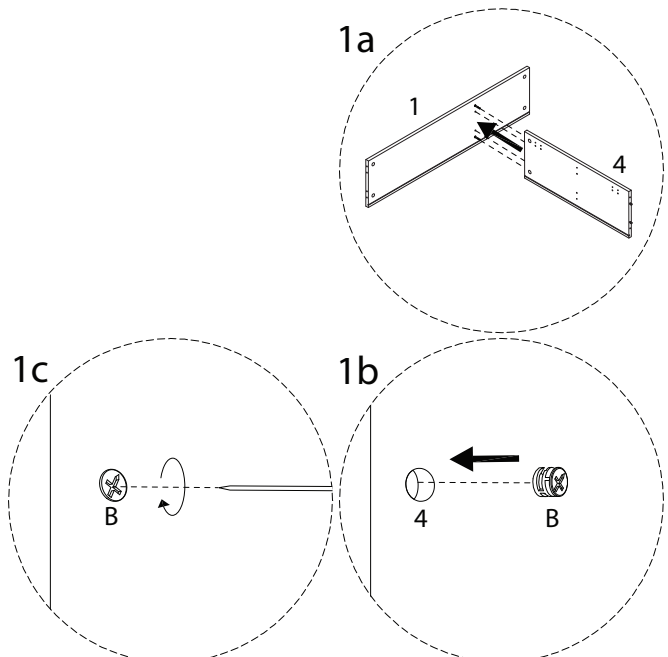
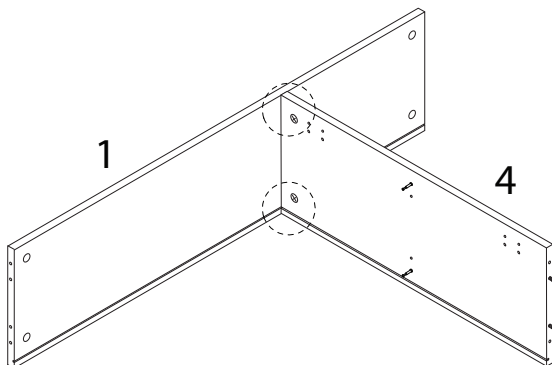
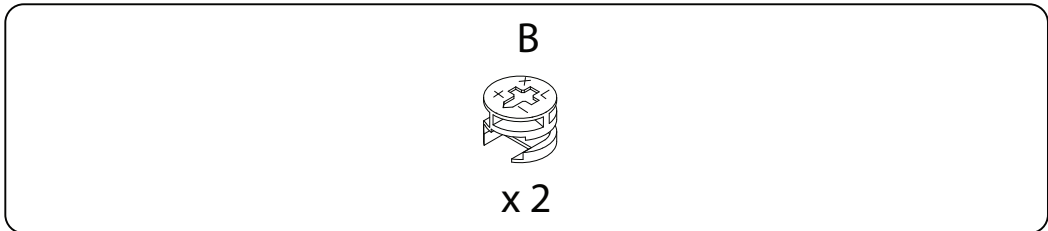
2



3

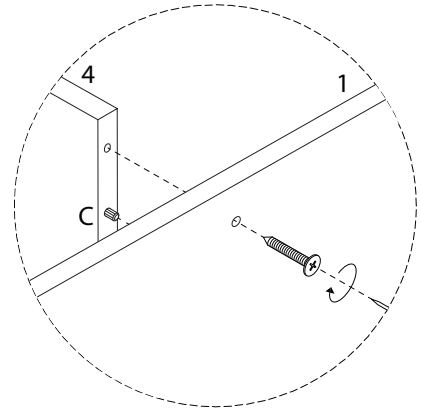
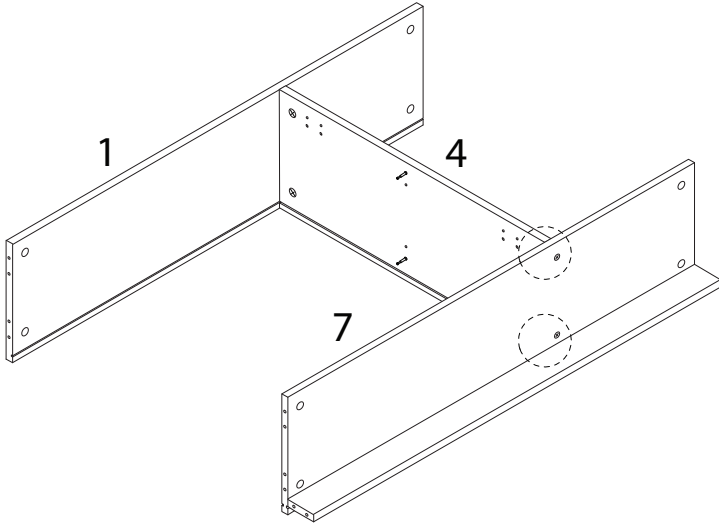


4



5

D
M4
x
35
x 2



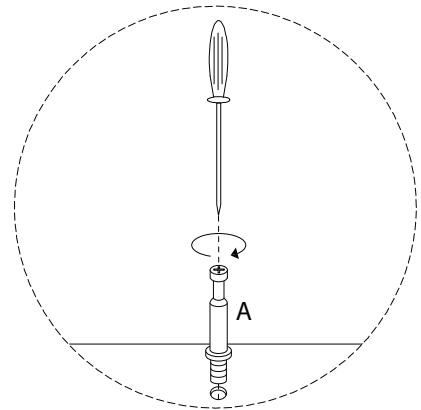
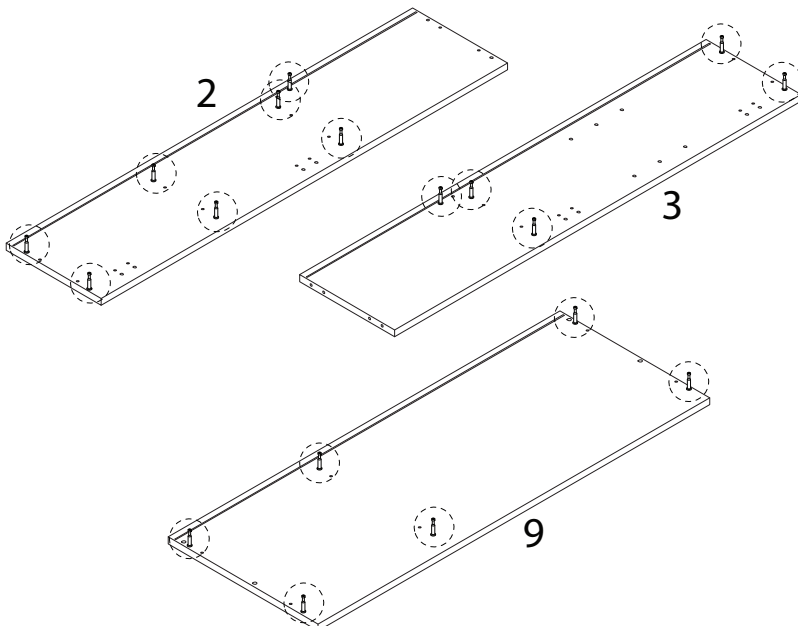
6

2
x 1

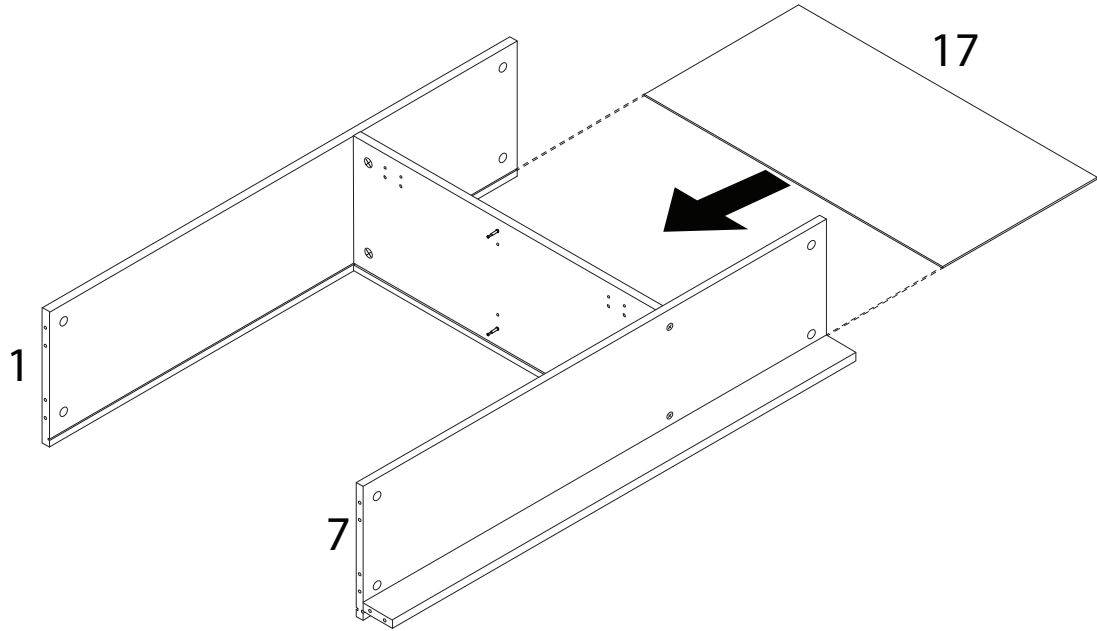
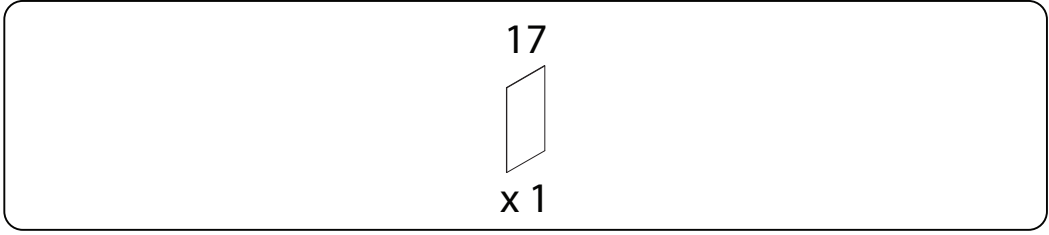
3
x 1

9
x 1

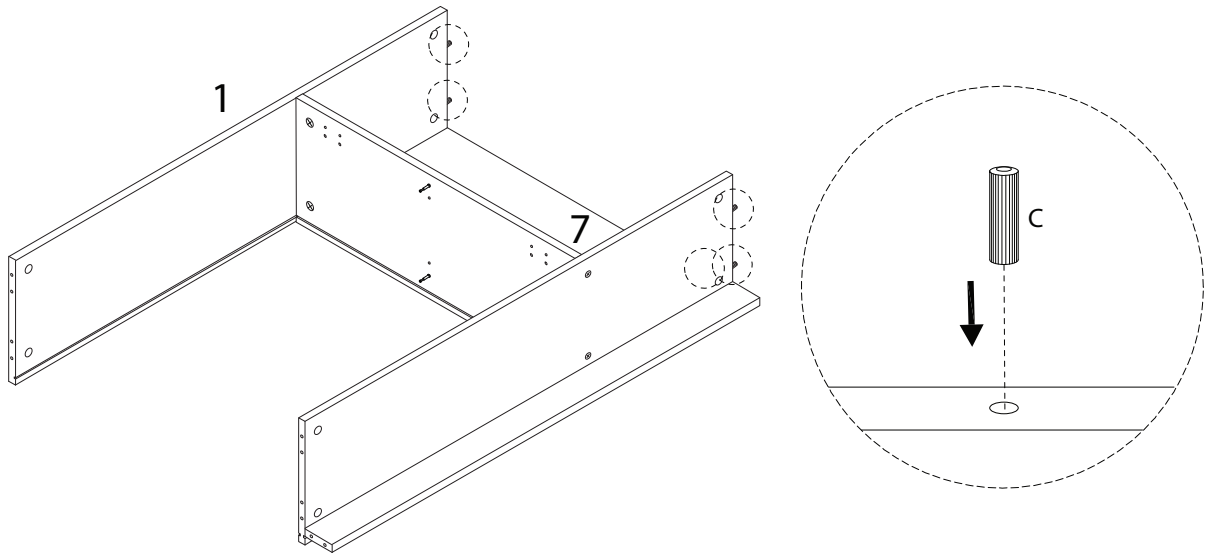
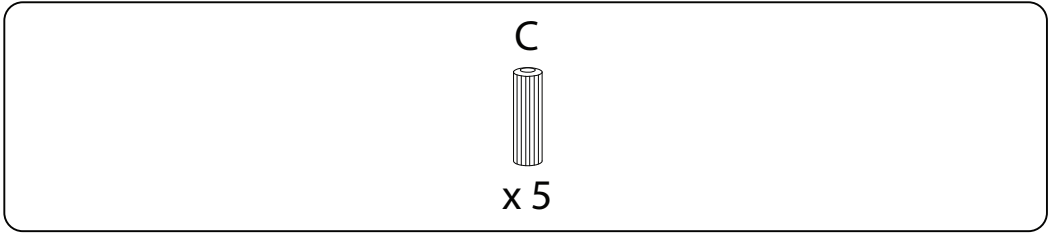
A
x 18



7



8

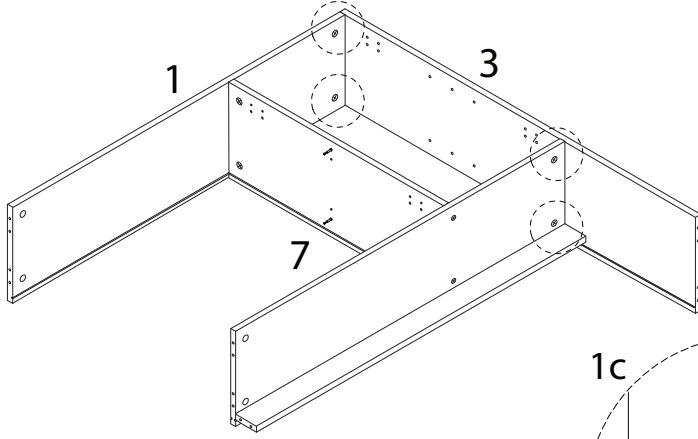


9

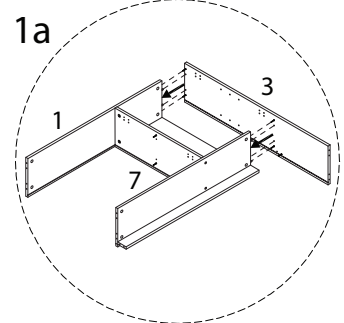
B



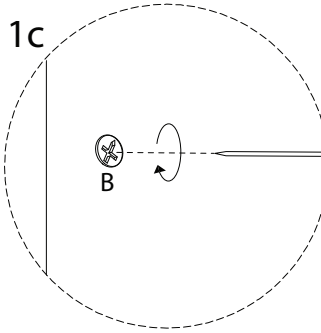
x 4



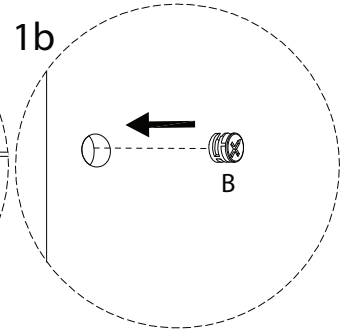
1a



1c

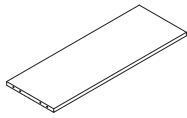


1b



10

5

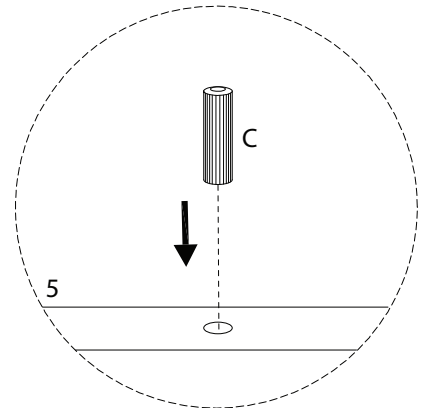
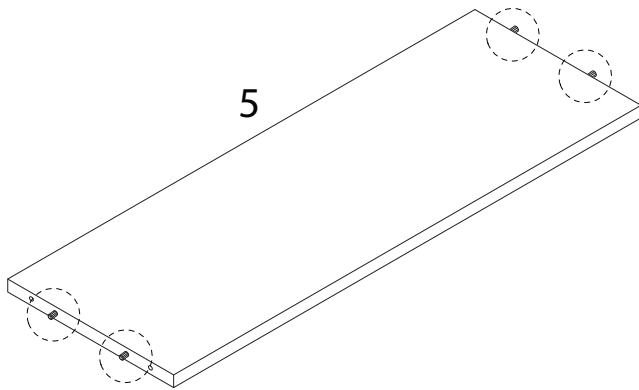


x 1

C



x 4

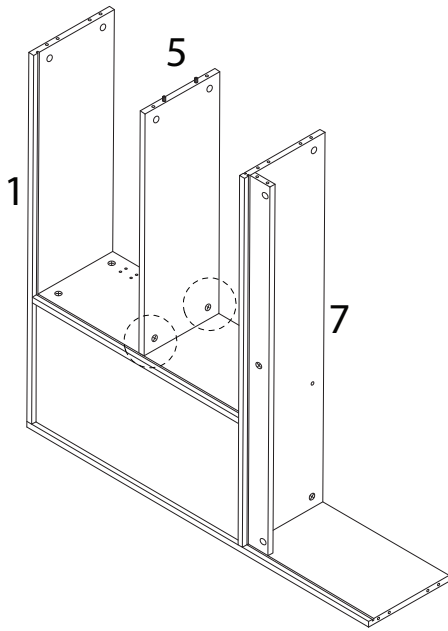


11

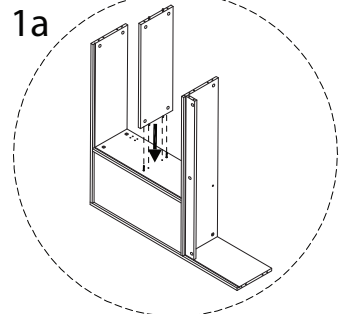
B



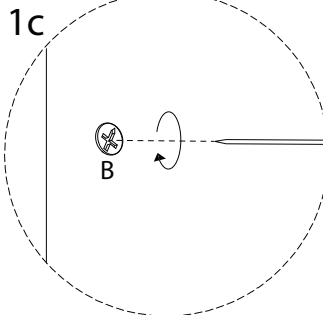
x 2



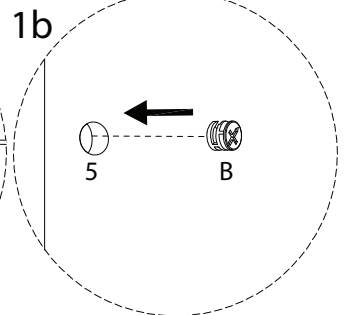
1a



1c



1b

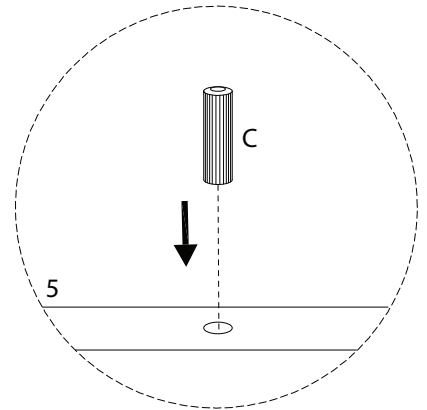
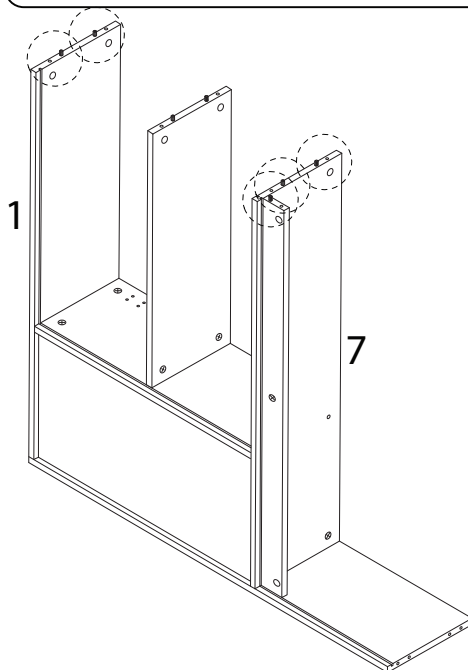


12

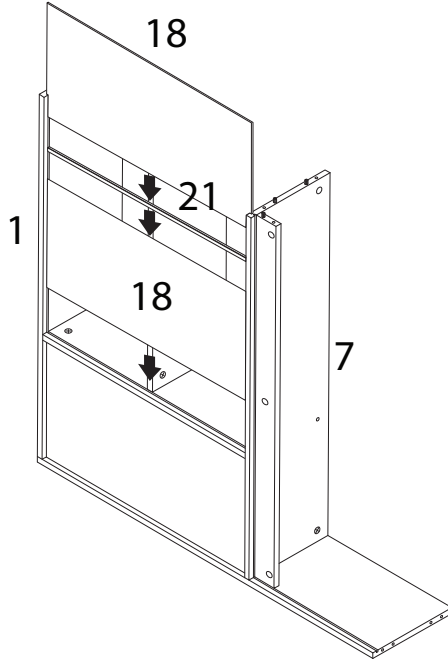
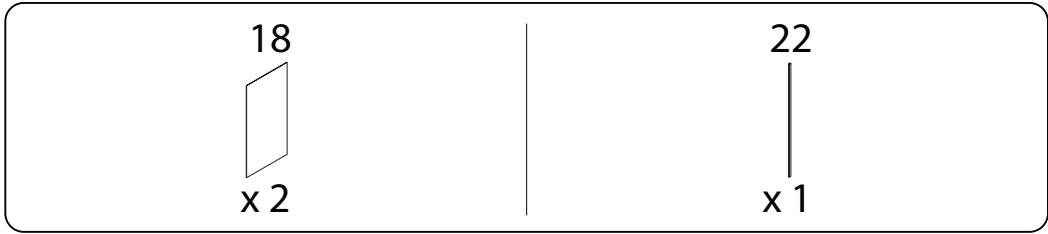
C



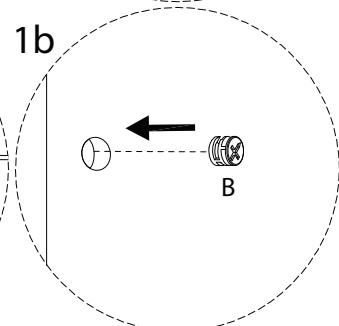
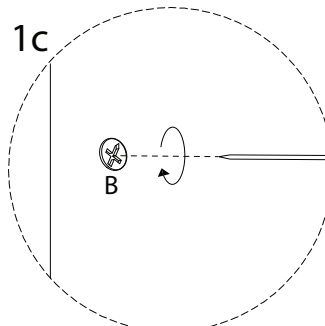
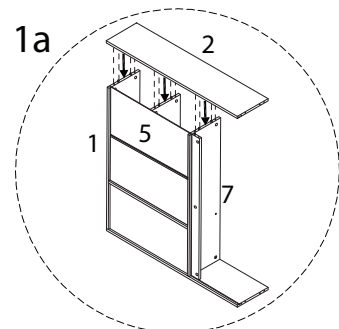
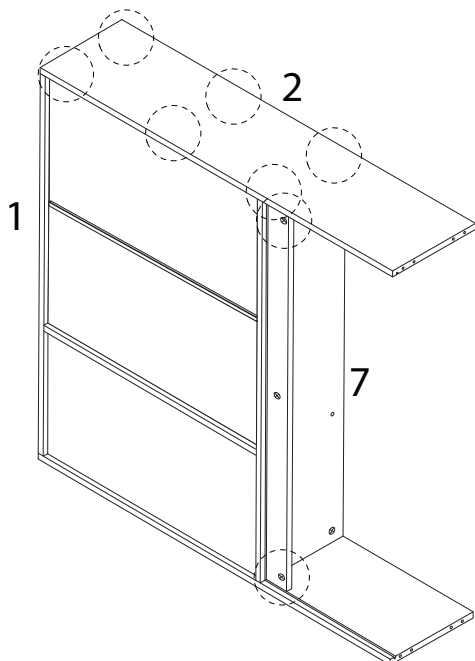
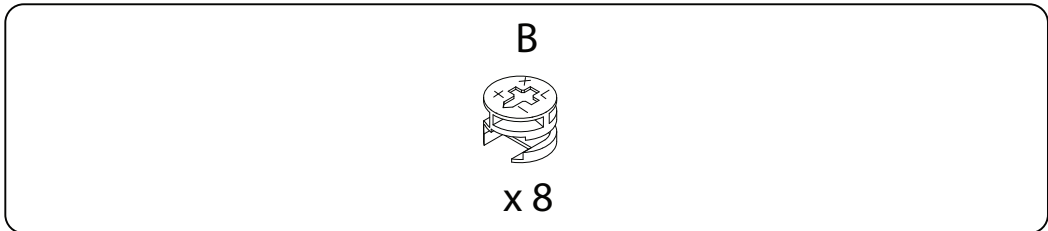
x 5



13

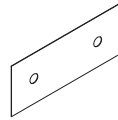


14

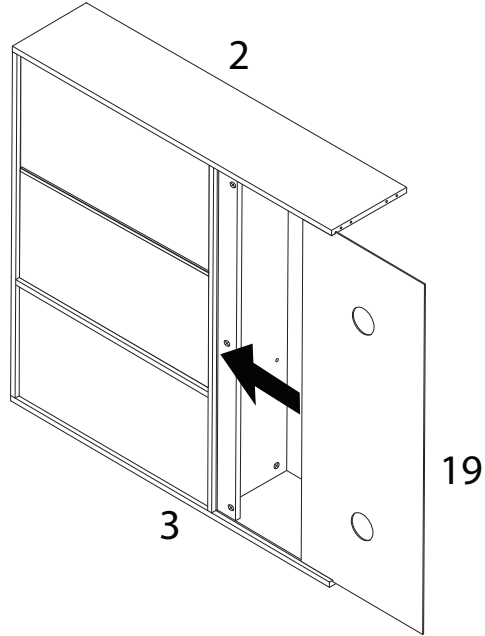


15

19



x 1

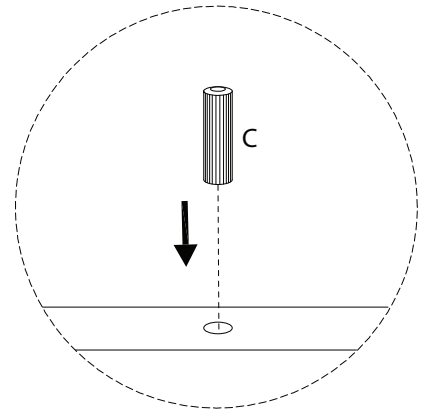
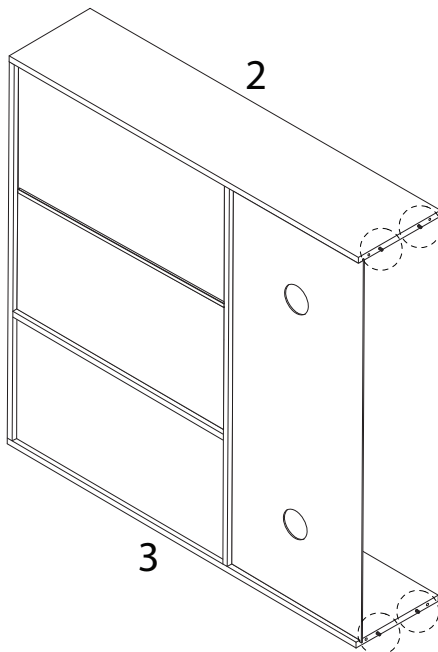


16

C

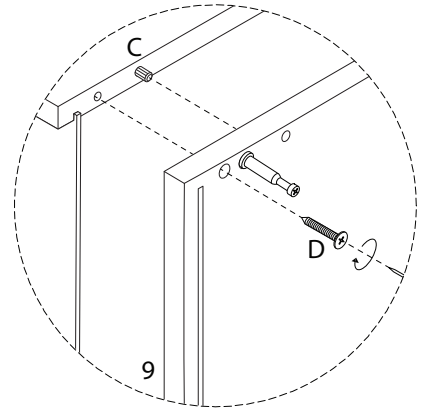
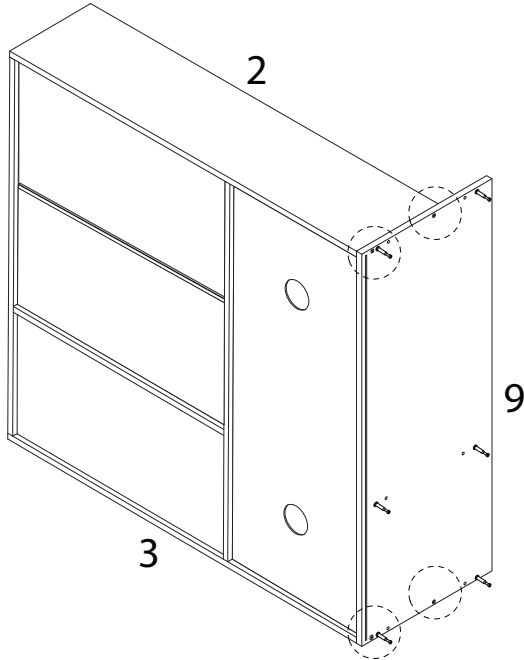


x 4



17

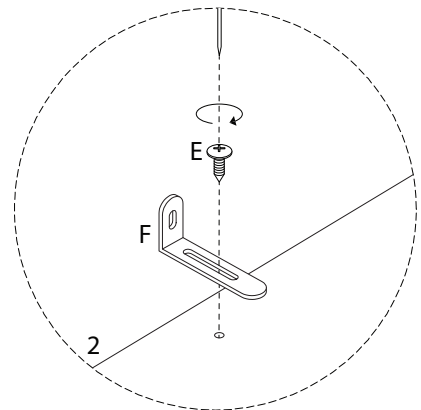
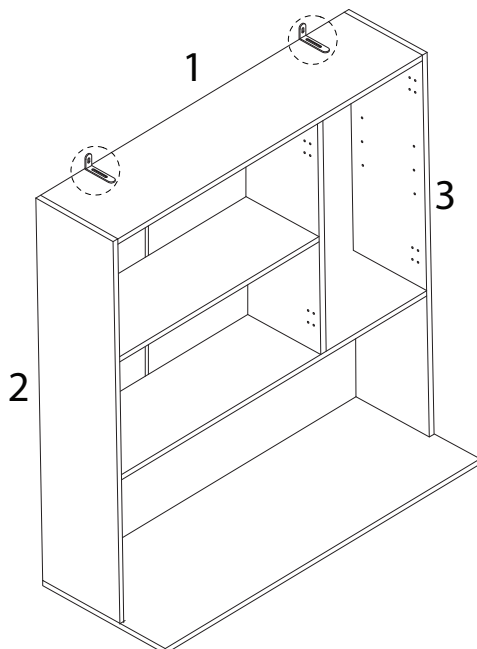
D
M4
x
35
x 4



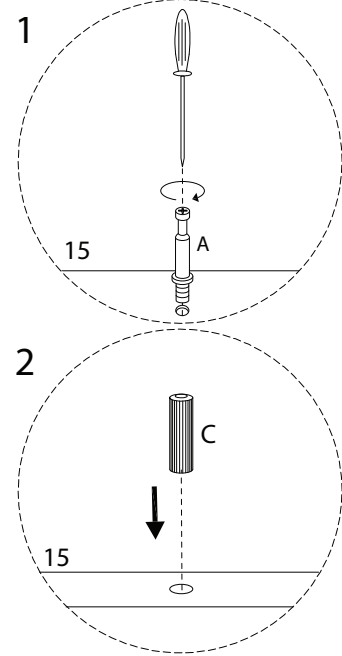
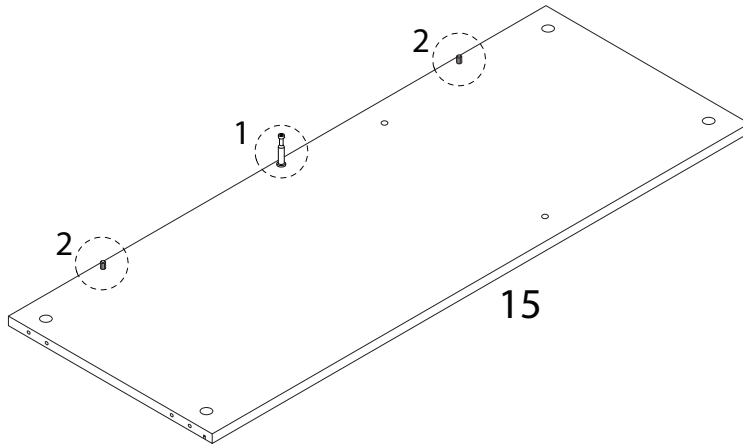
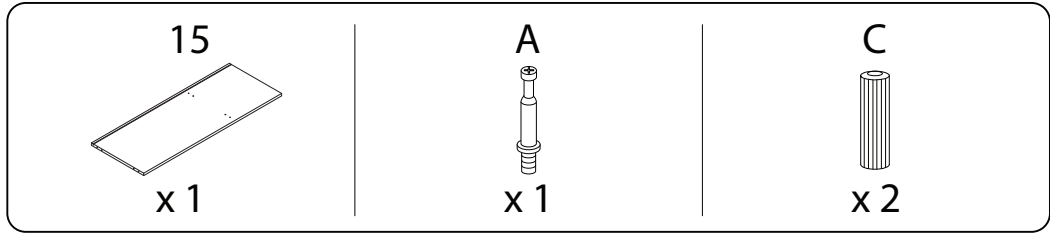
18

E
M4
x
12
x 2

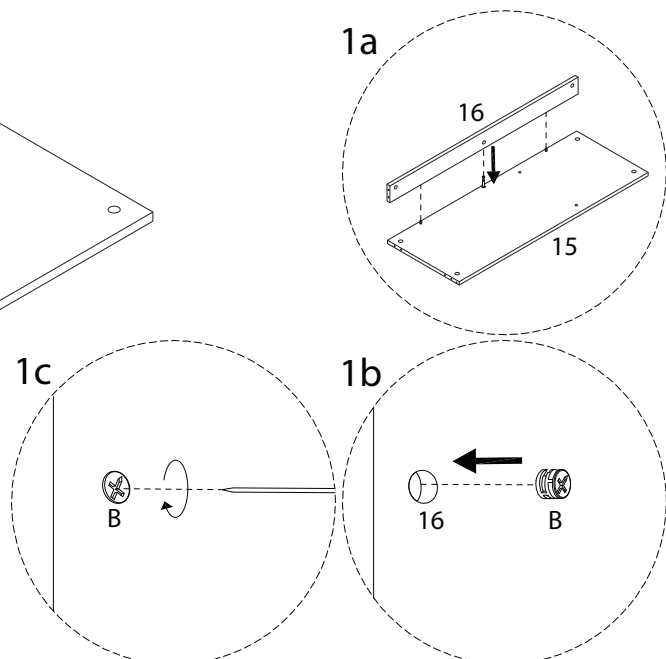
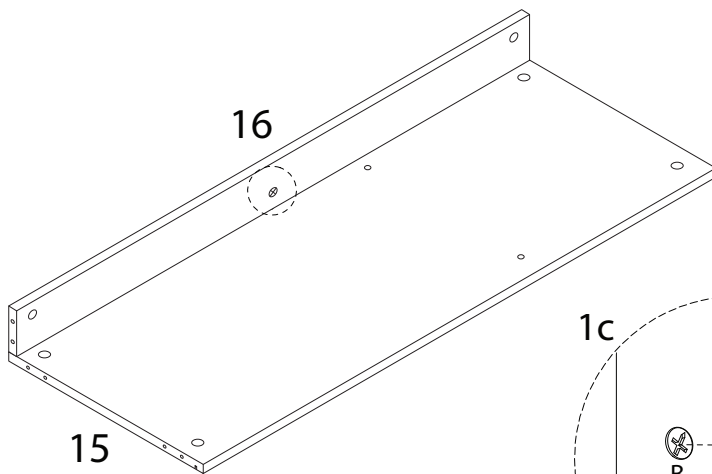
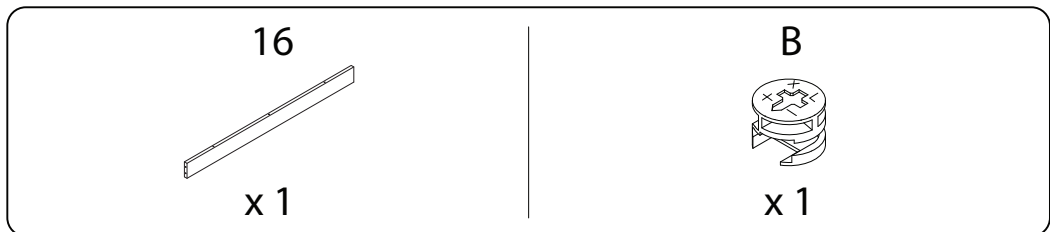
F
x 2



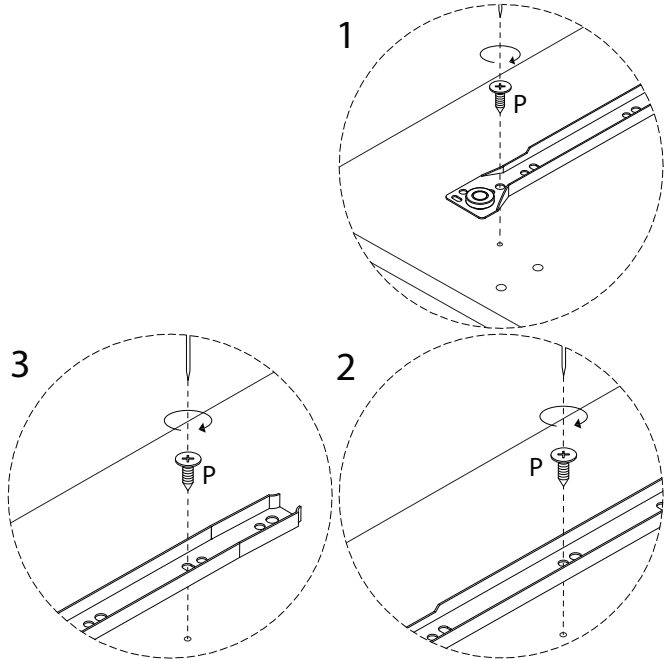
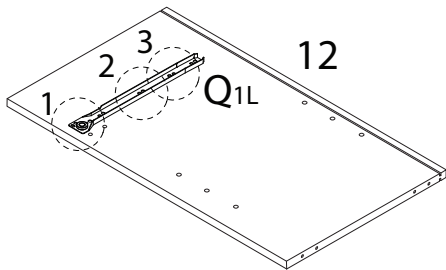
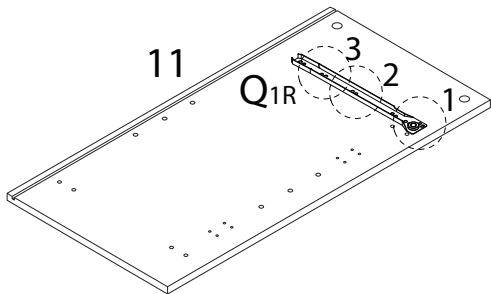
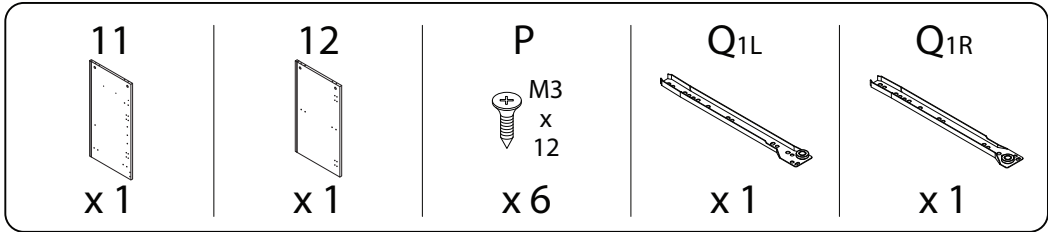
19



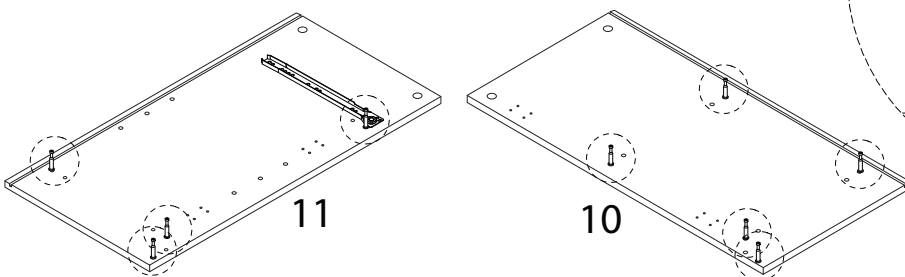
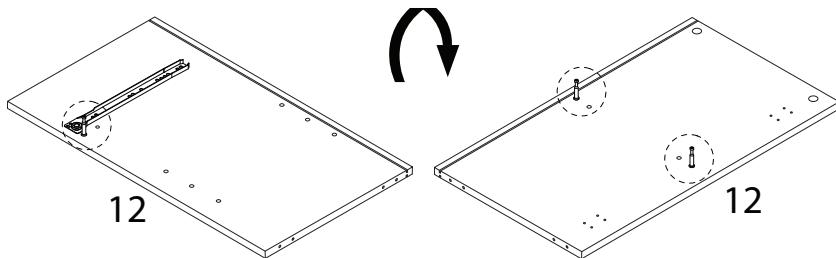
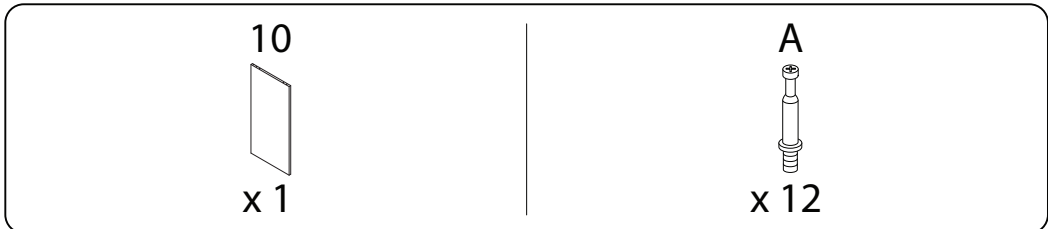
20



21

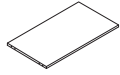


22



23

13



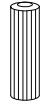
x 1

30

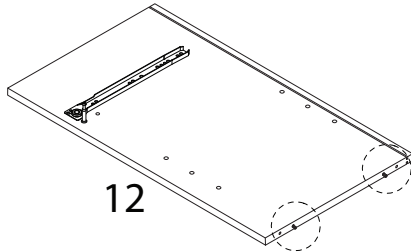


x 1

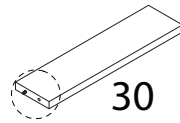
C



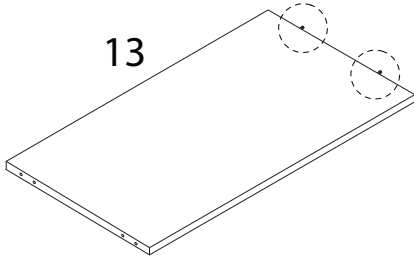
x 5



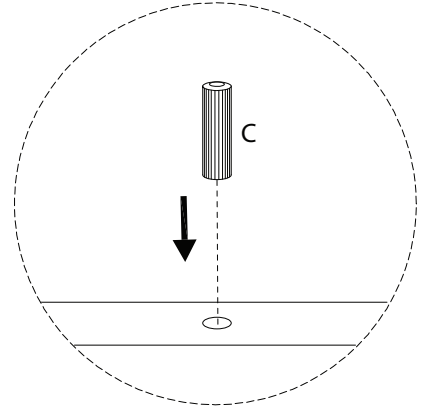
12



30

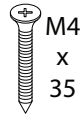


13

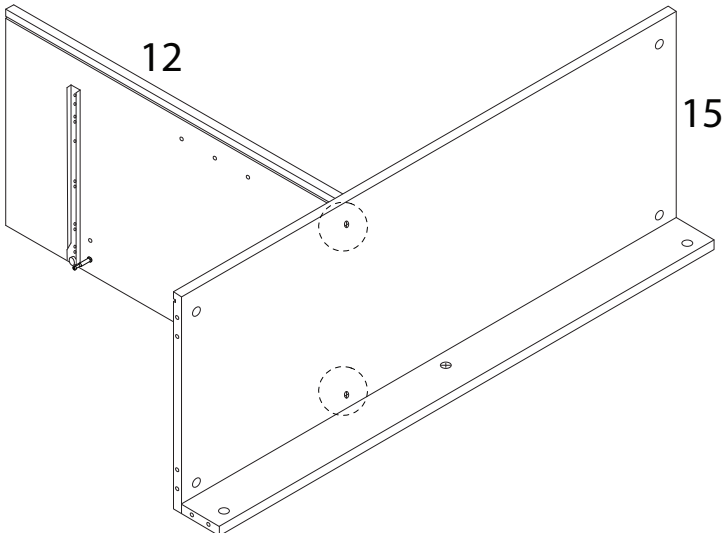


24

D

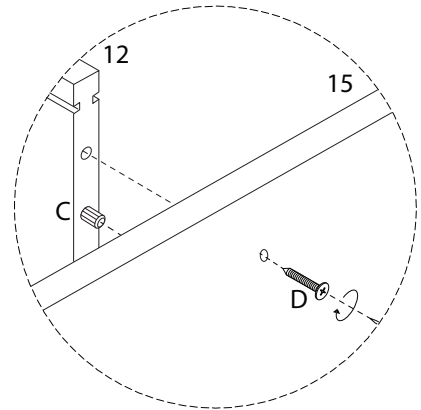


x 2



12

15

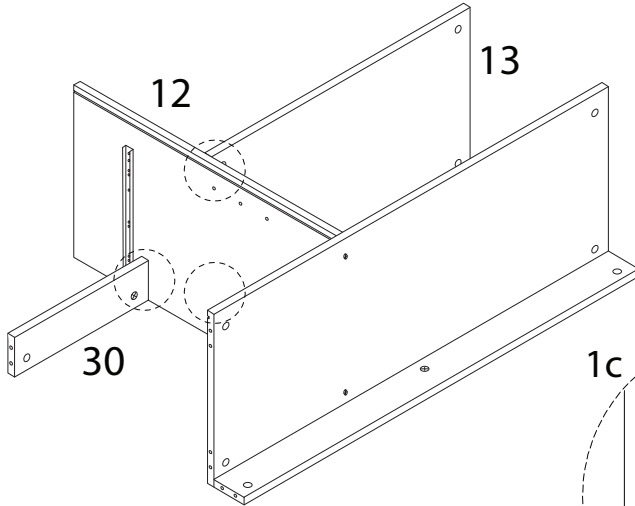


25

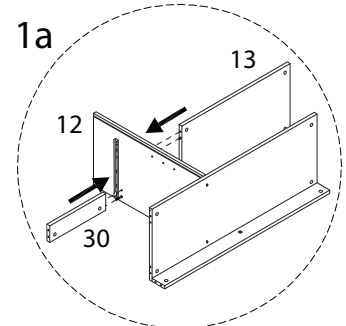
B



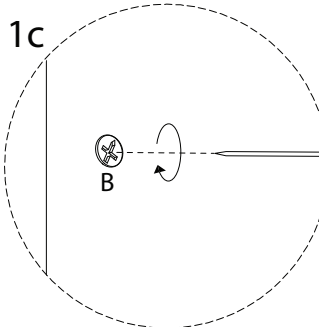
x 3



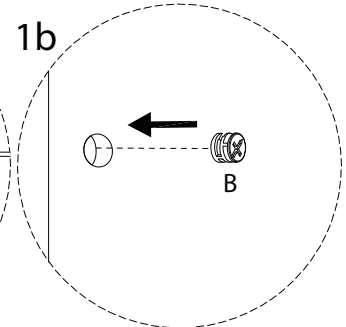
1a



1c



1b

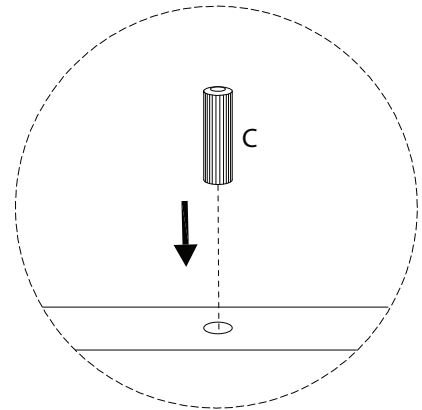
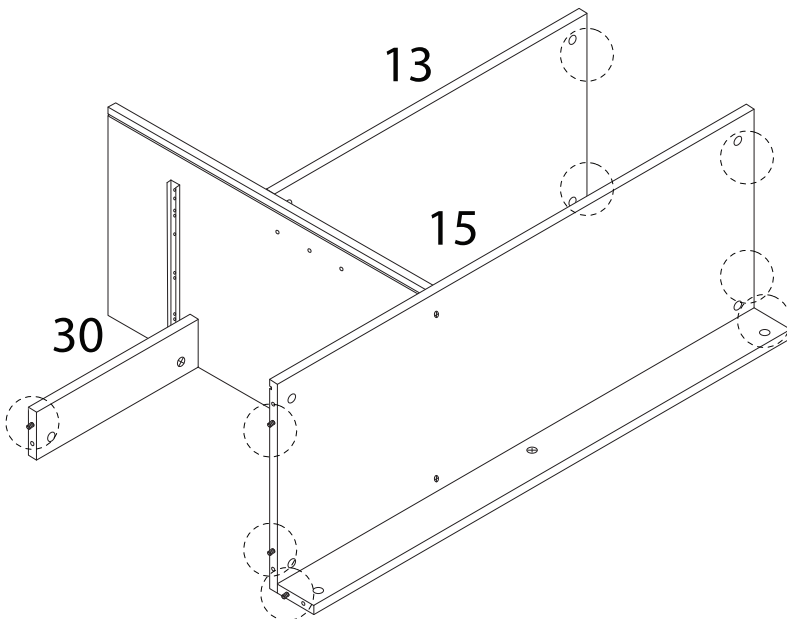


26

C



x 9

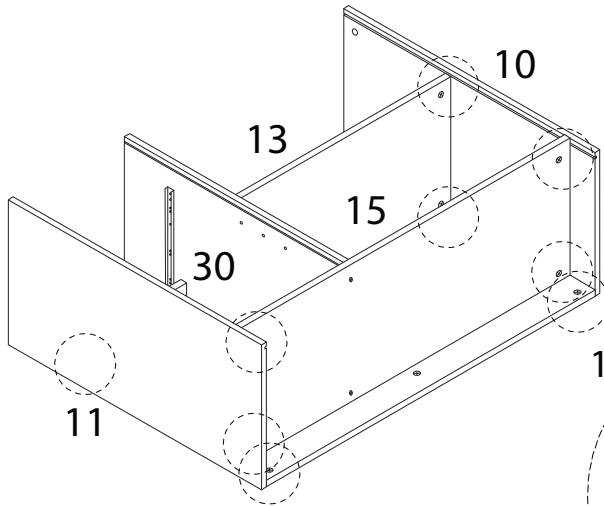


27

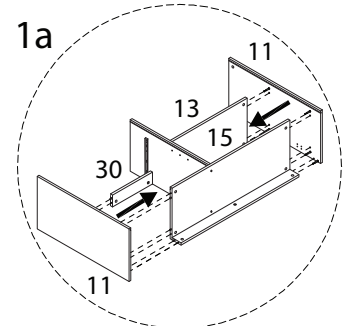
B



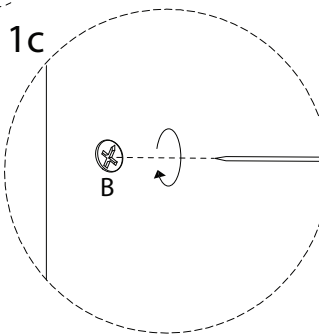
x 9



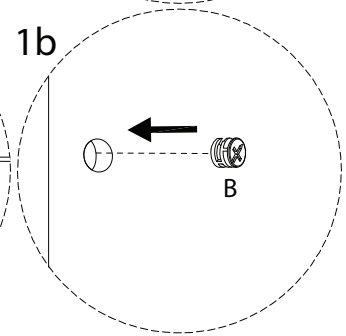
1a



1c



1b

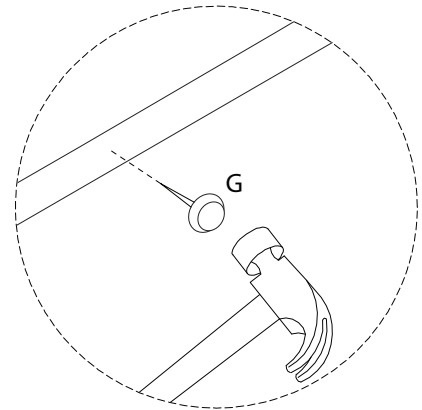
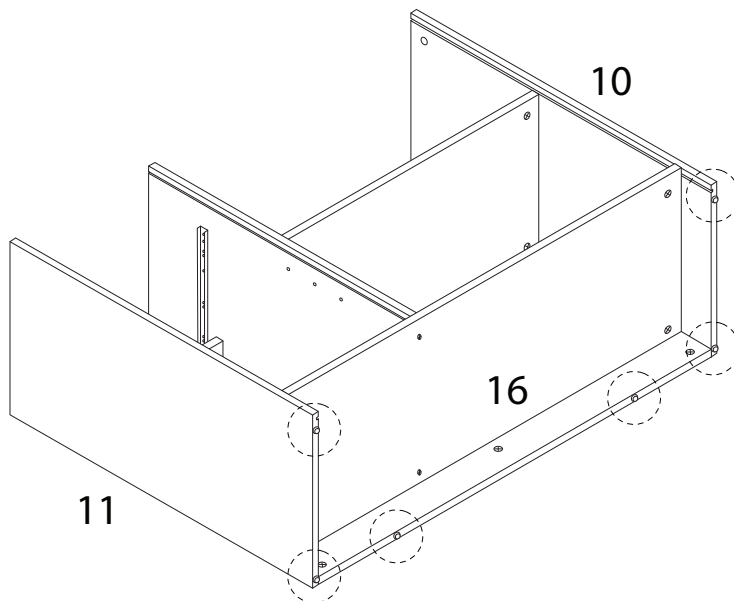


28

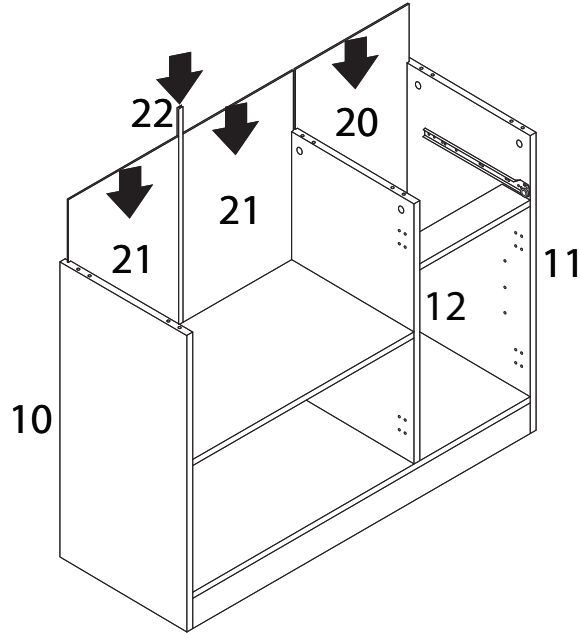
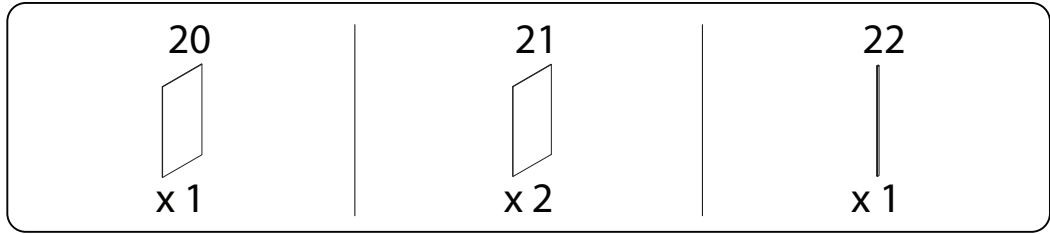
G



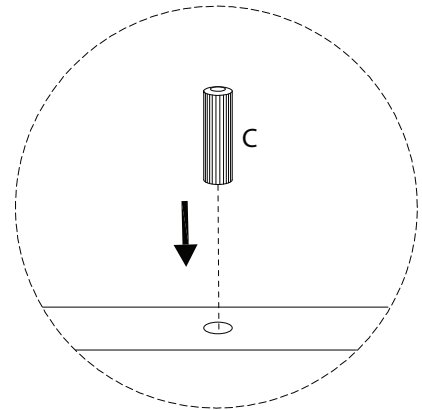
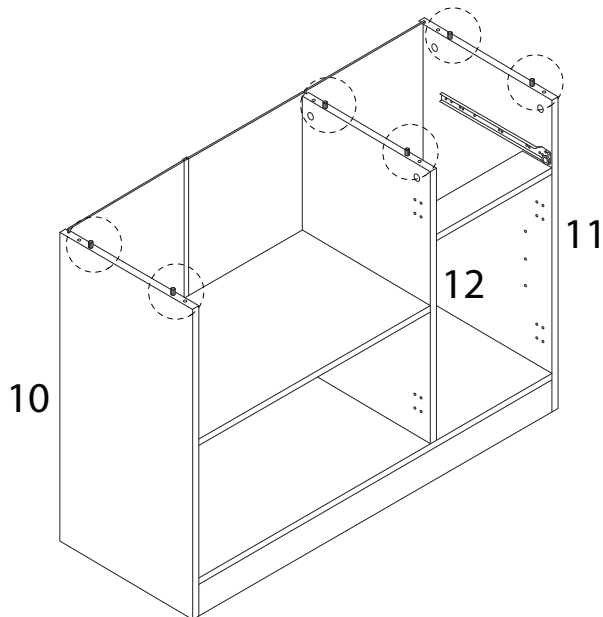
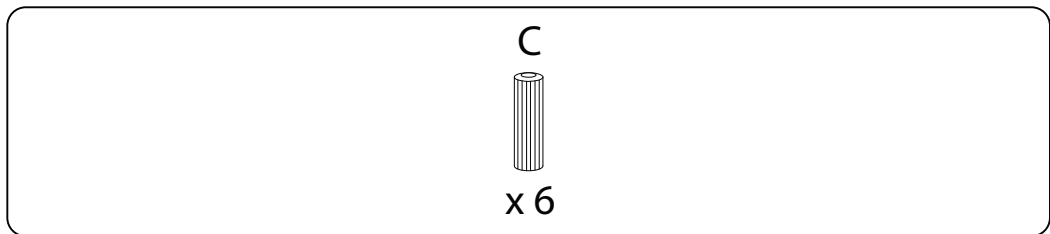
x 6



29



30

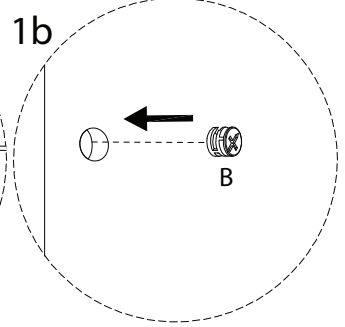
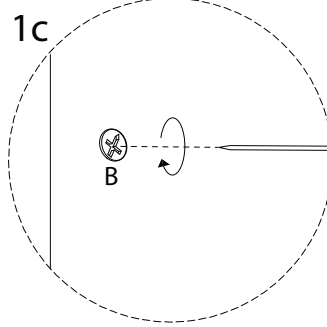
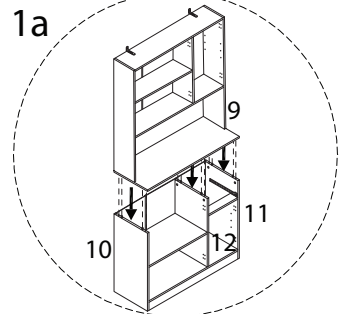
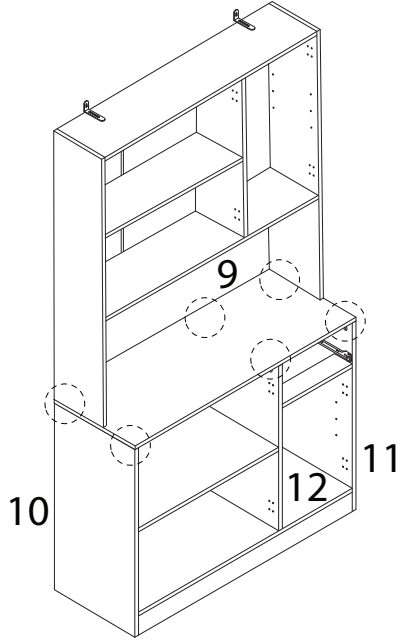


31

B



x 6



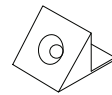
32

H

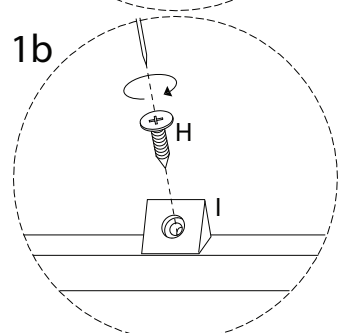
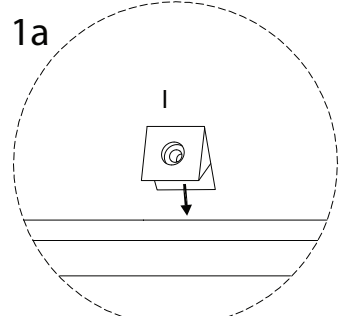
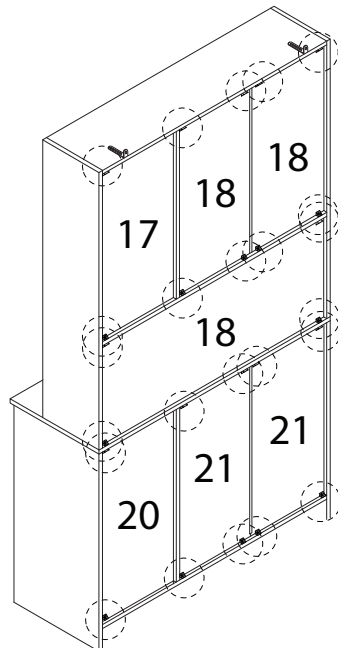


x 24

I



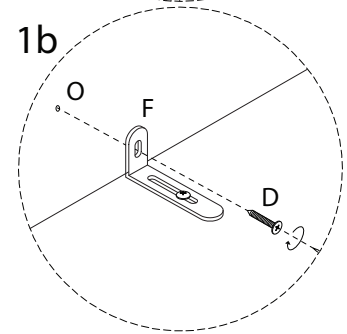
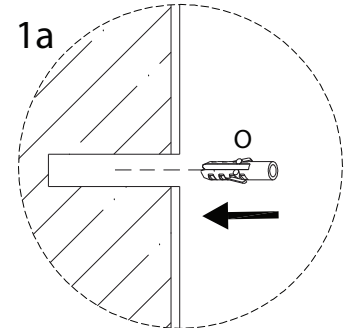
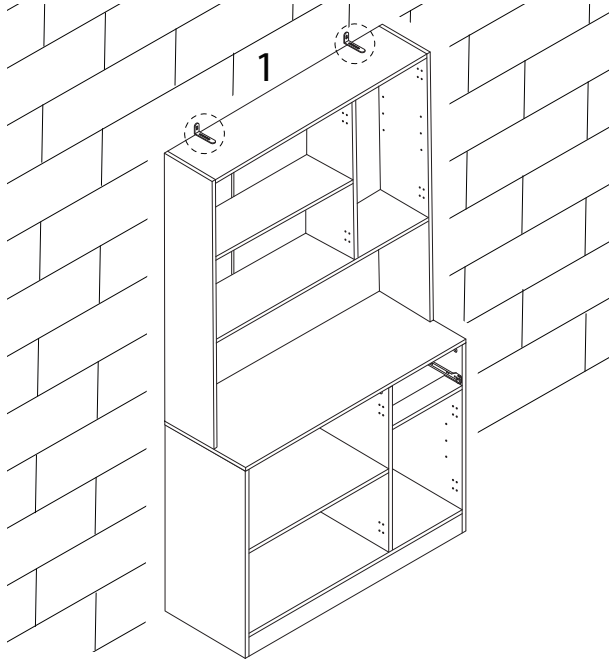
x 24



33

D
M4
x
35
x 2

O
x 2



34 x 5

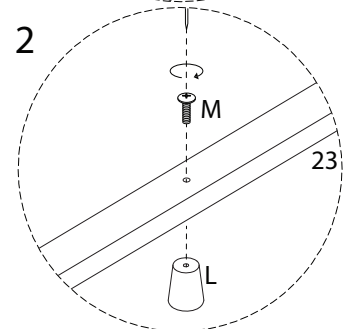
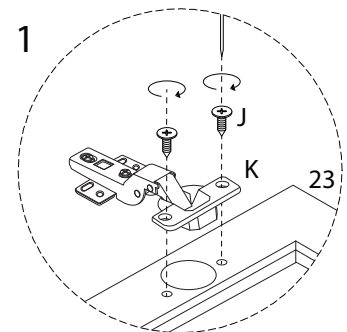
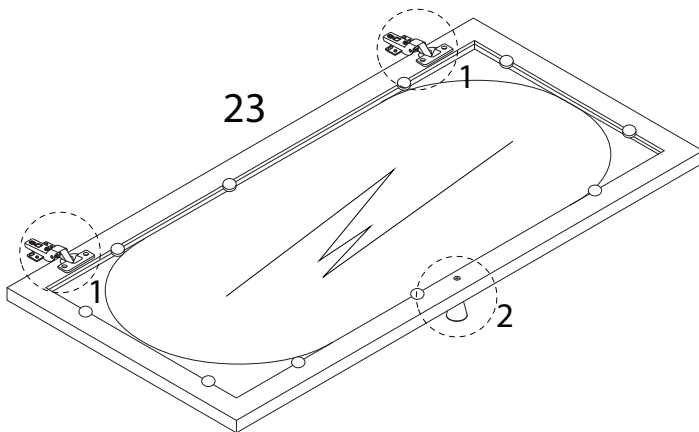
23
x 1

J
M3.5
x
12
x 4



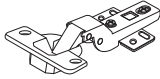

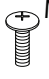
K
x 2

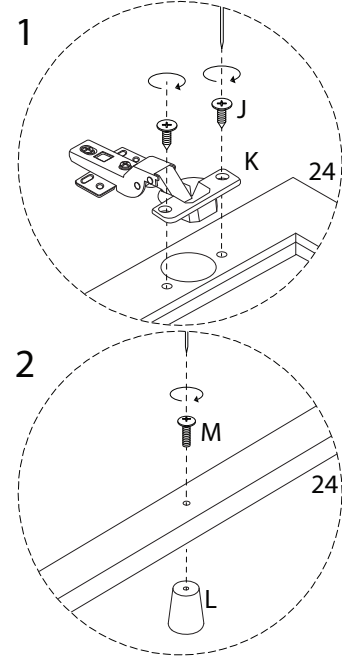
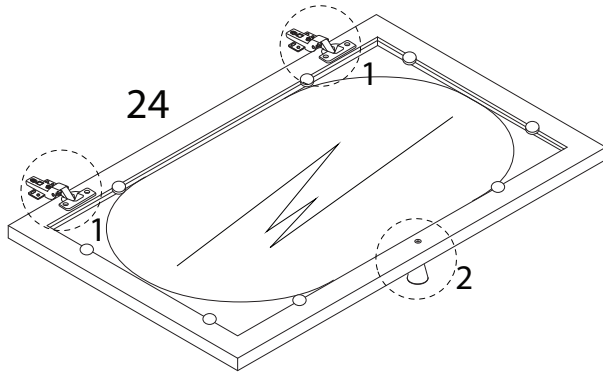
L
x 1

M
M4
x
16
x 1




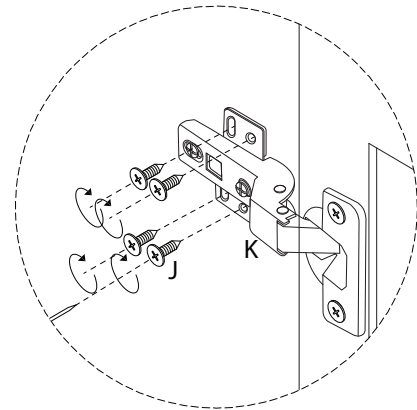
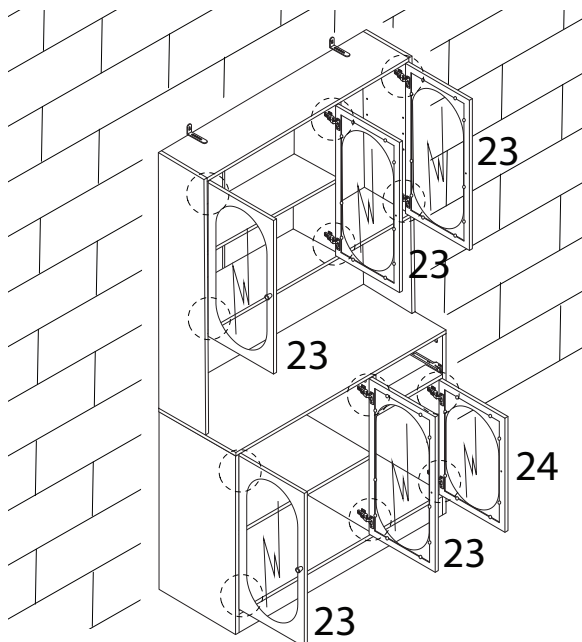
35

24  x 1	J  M3.5 x 12 x 4	K  x 2	L  x 1	M  M4 x 16 x 1
--	---	---	---	---



36

J  M3.5 x 12 x 48
--

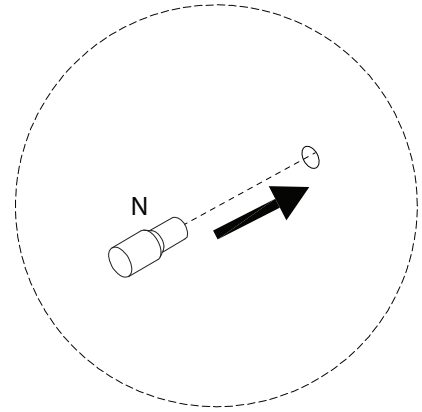
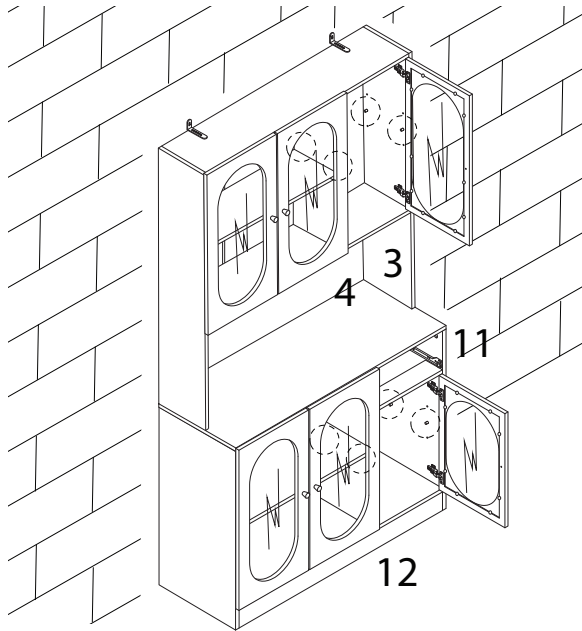


37

N

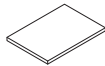


x 8



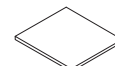
38

6

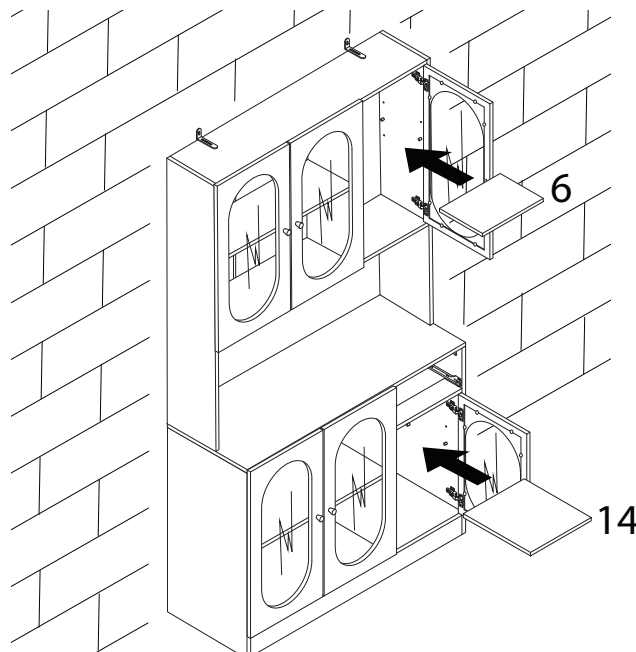


x 1

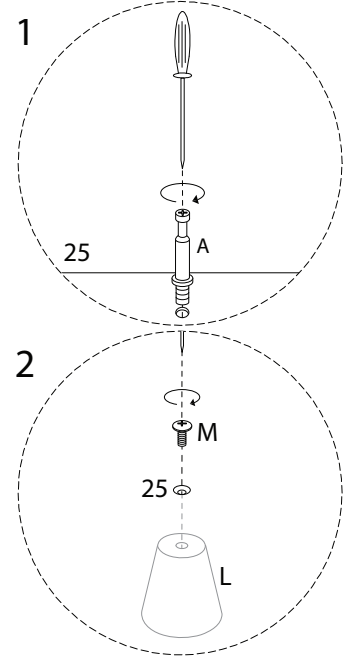
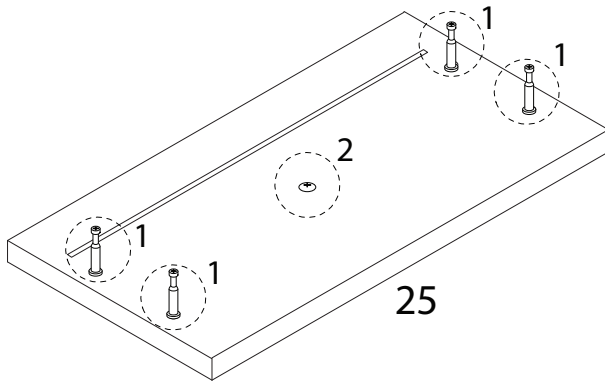
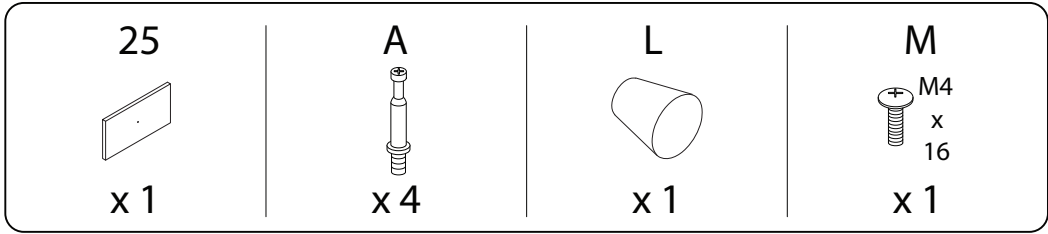
14



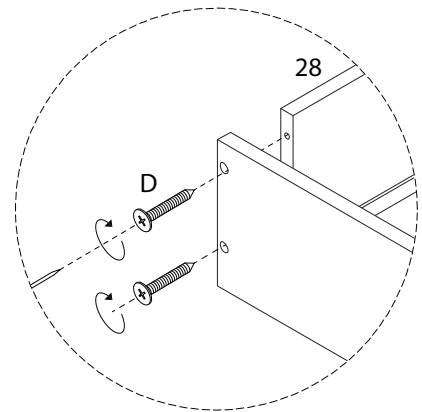
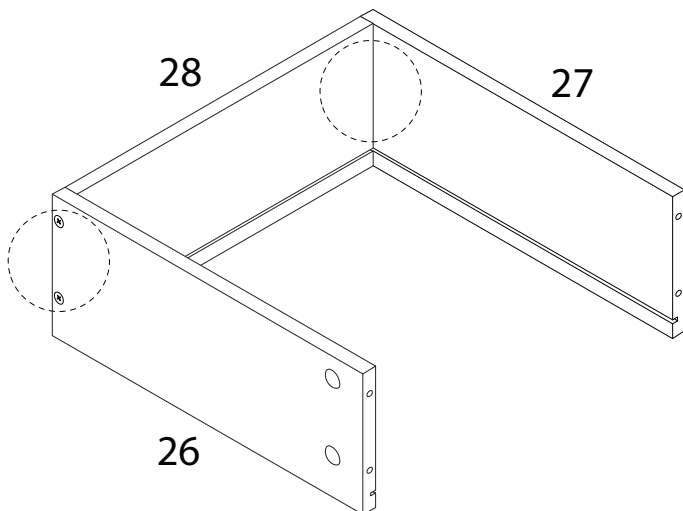
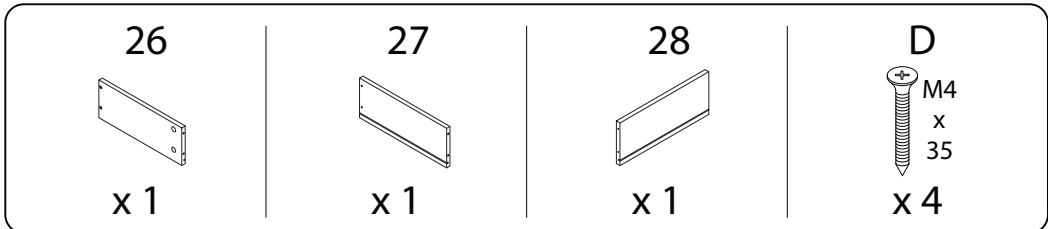
x 1



39

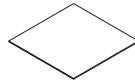


40

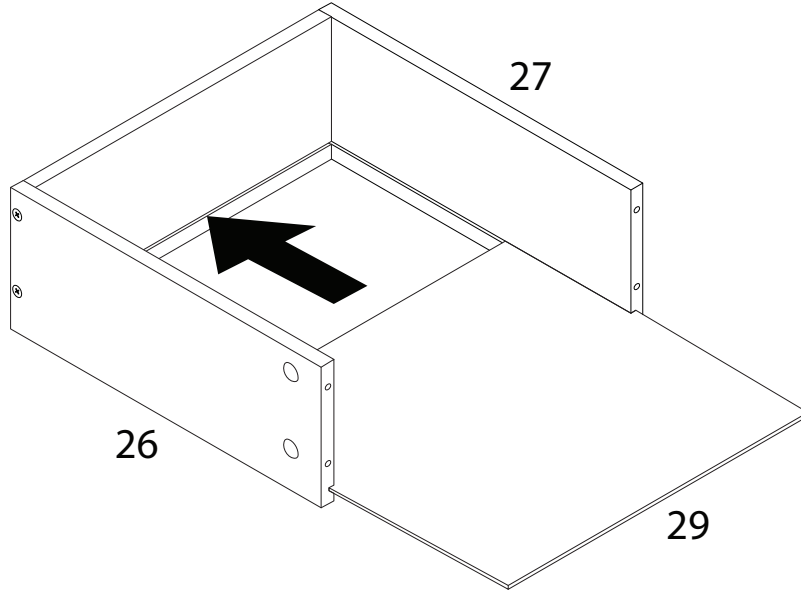


41

29



x 1

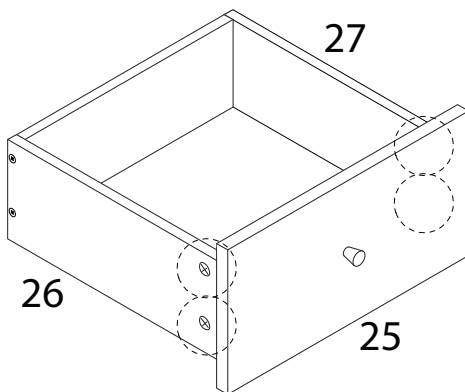


42

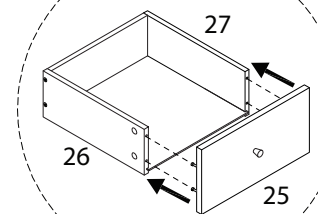
B



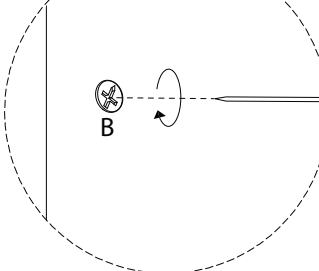
x 4



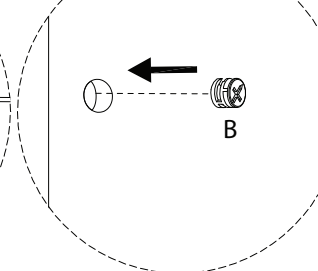
1a



1c



1b

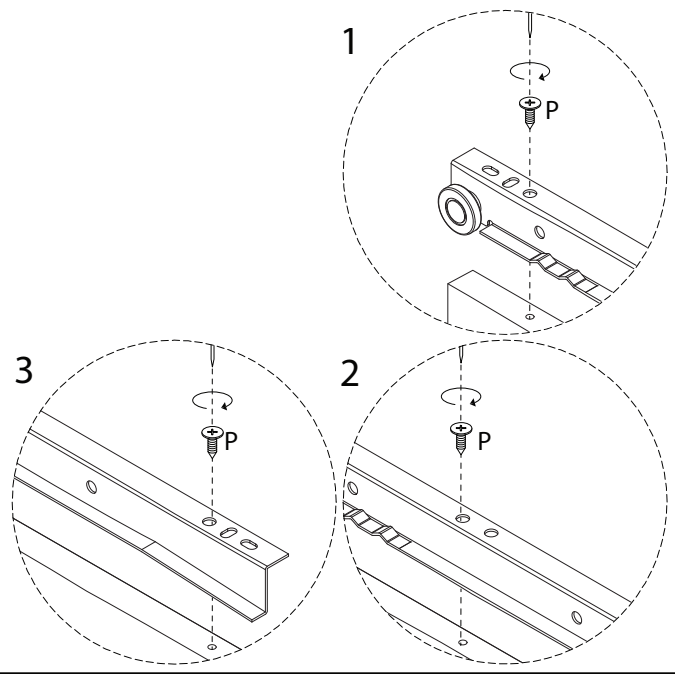
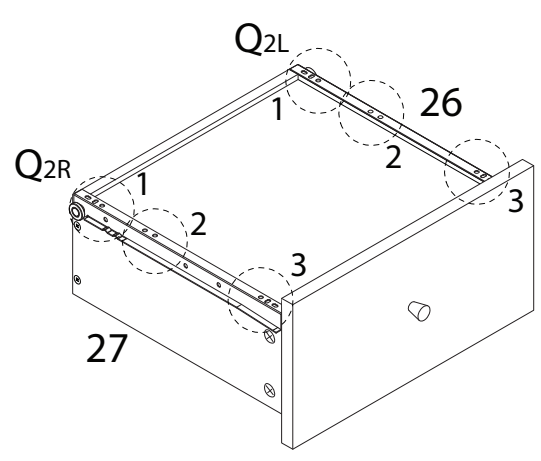


43

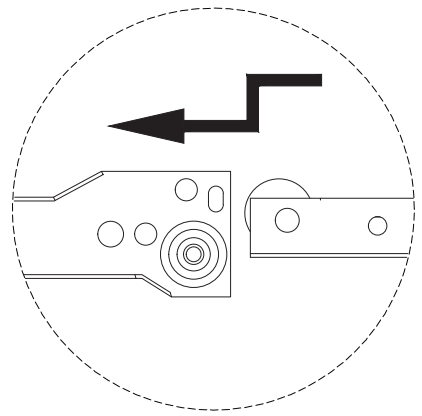
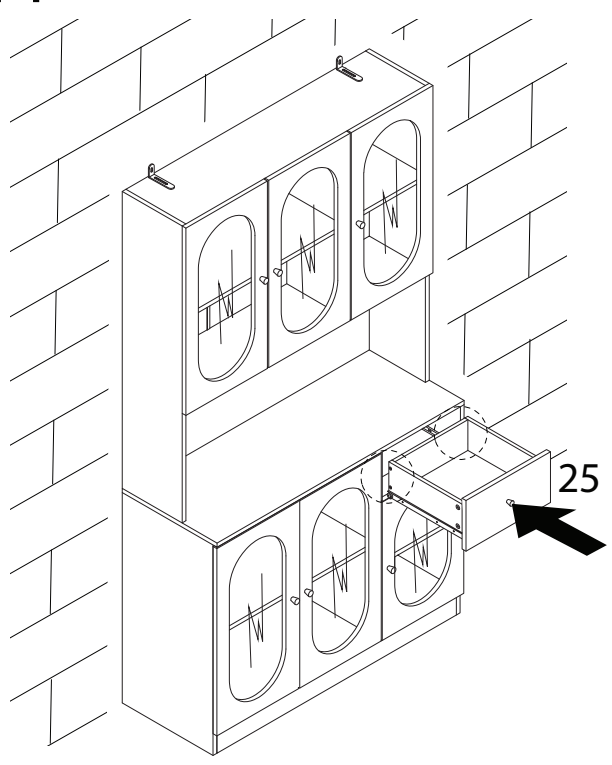
P
M3
x
12
x 6

Q2L
x 1

Q2R
x 1



44



!

