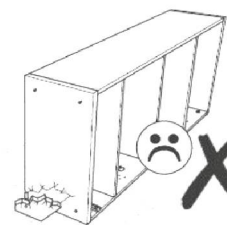
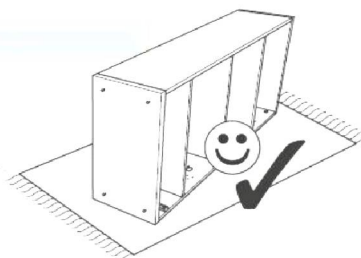
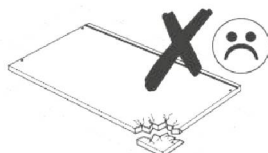
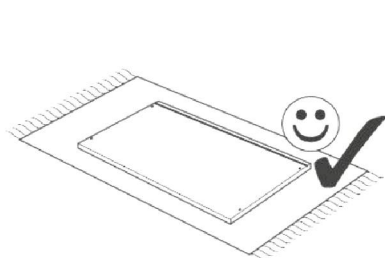
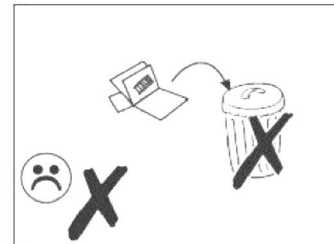
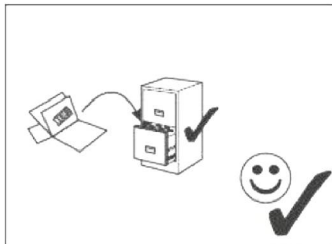
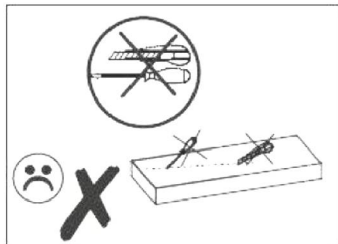
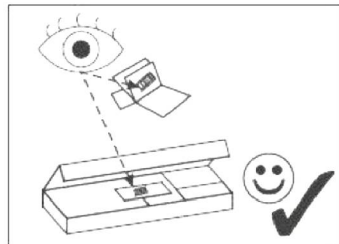
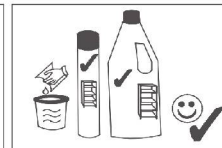
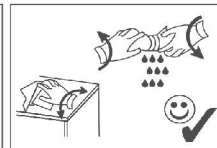
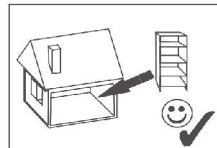
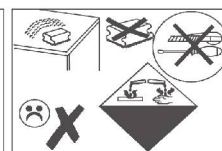
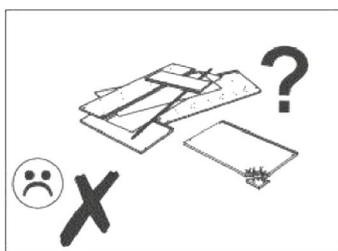
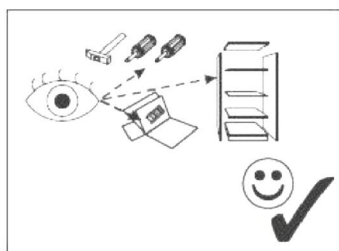
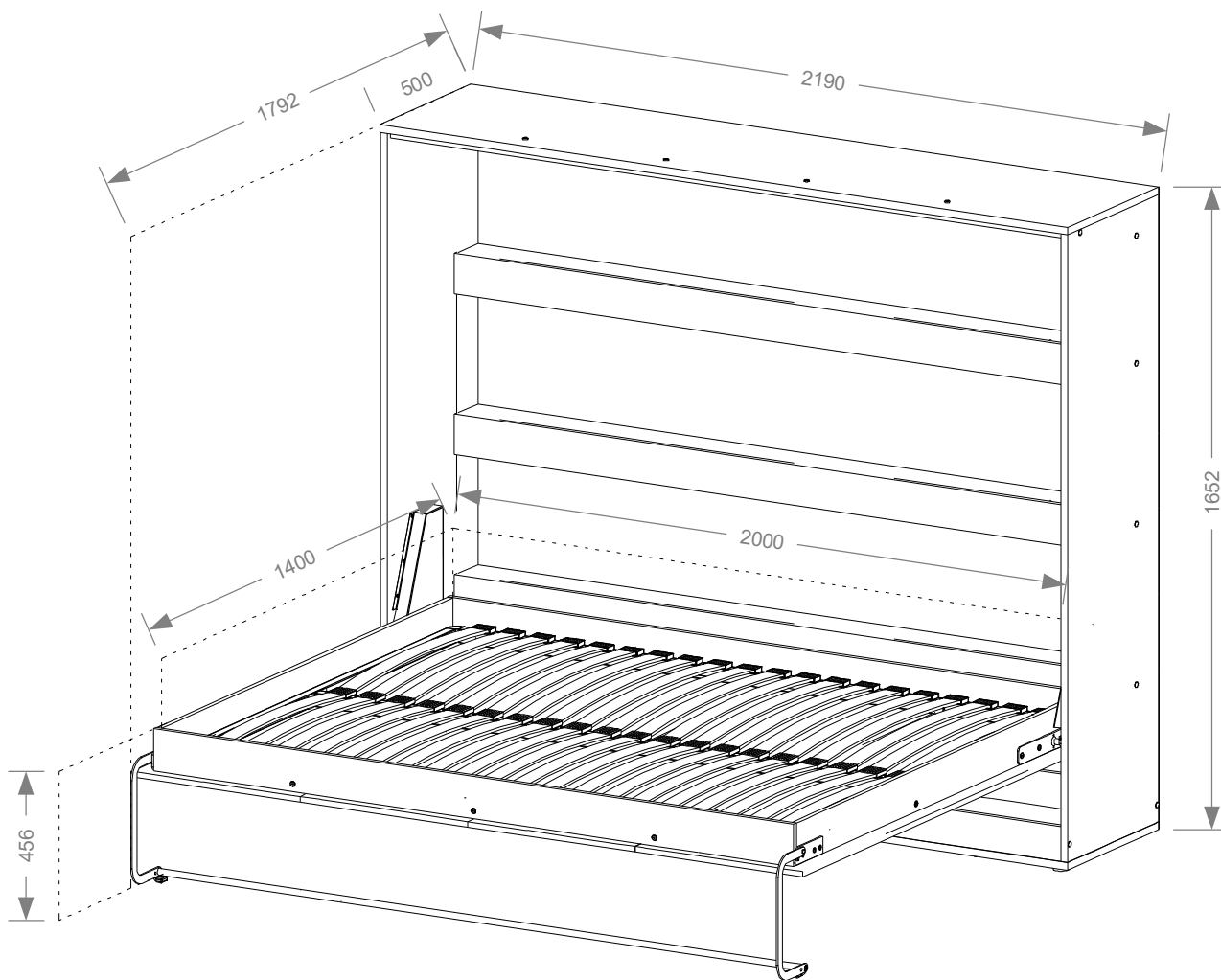
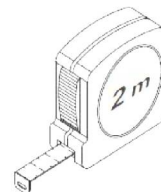
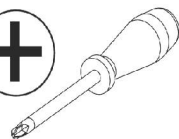
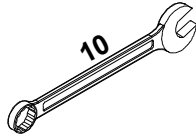
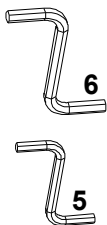
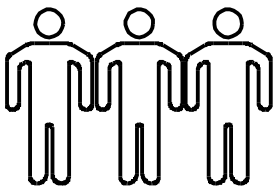
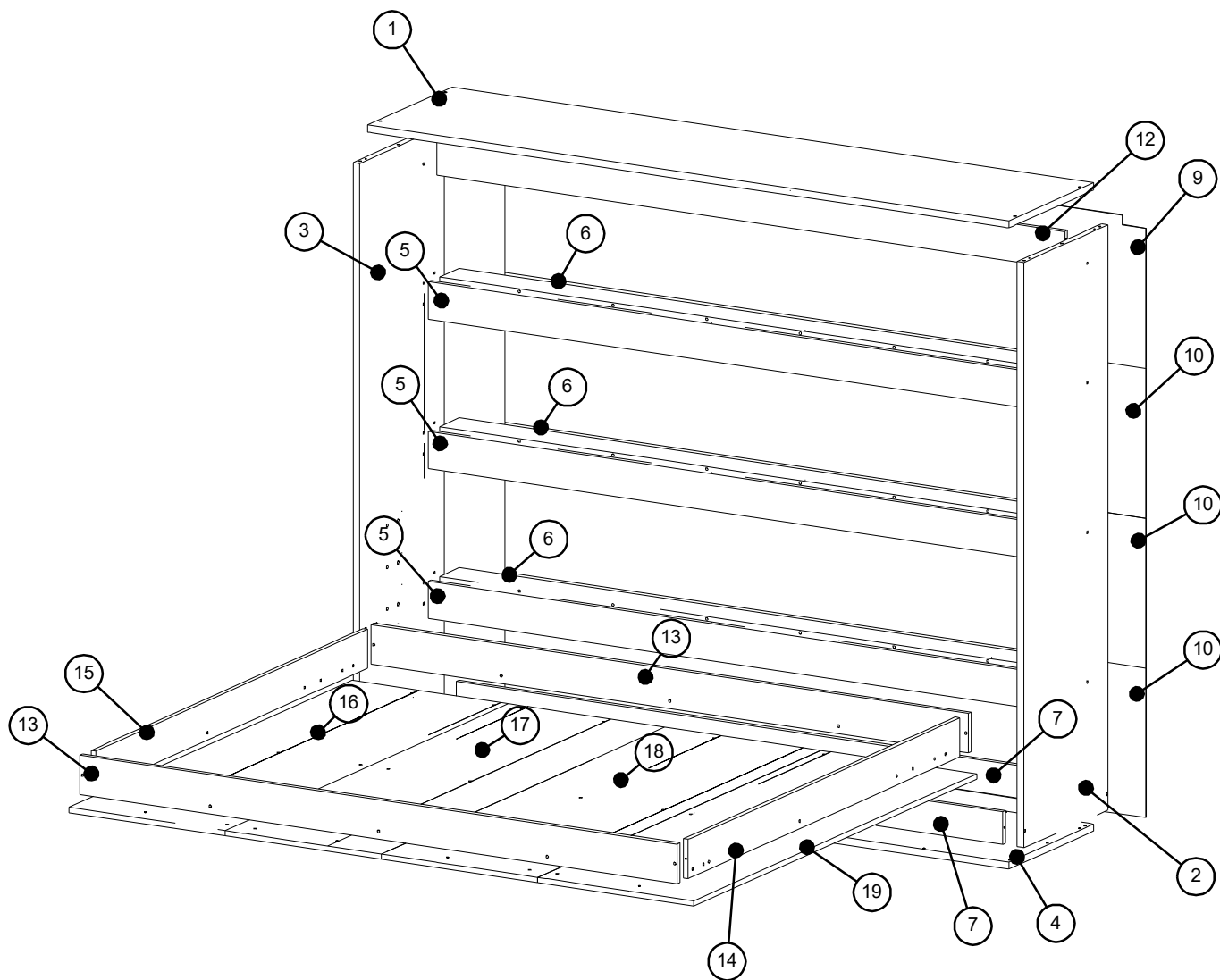


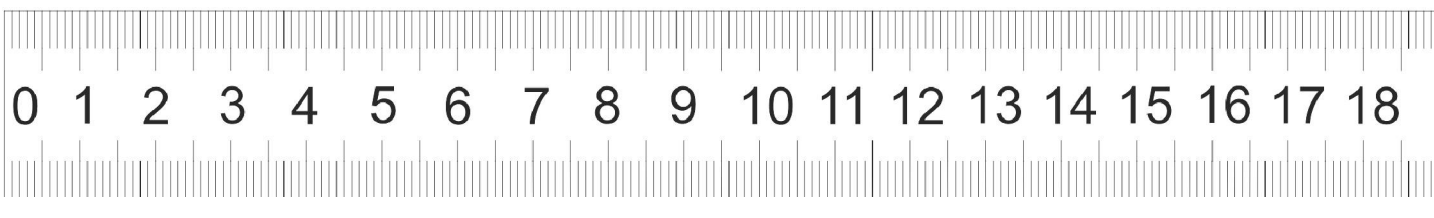
240 min



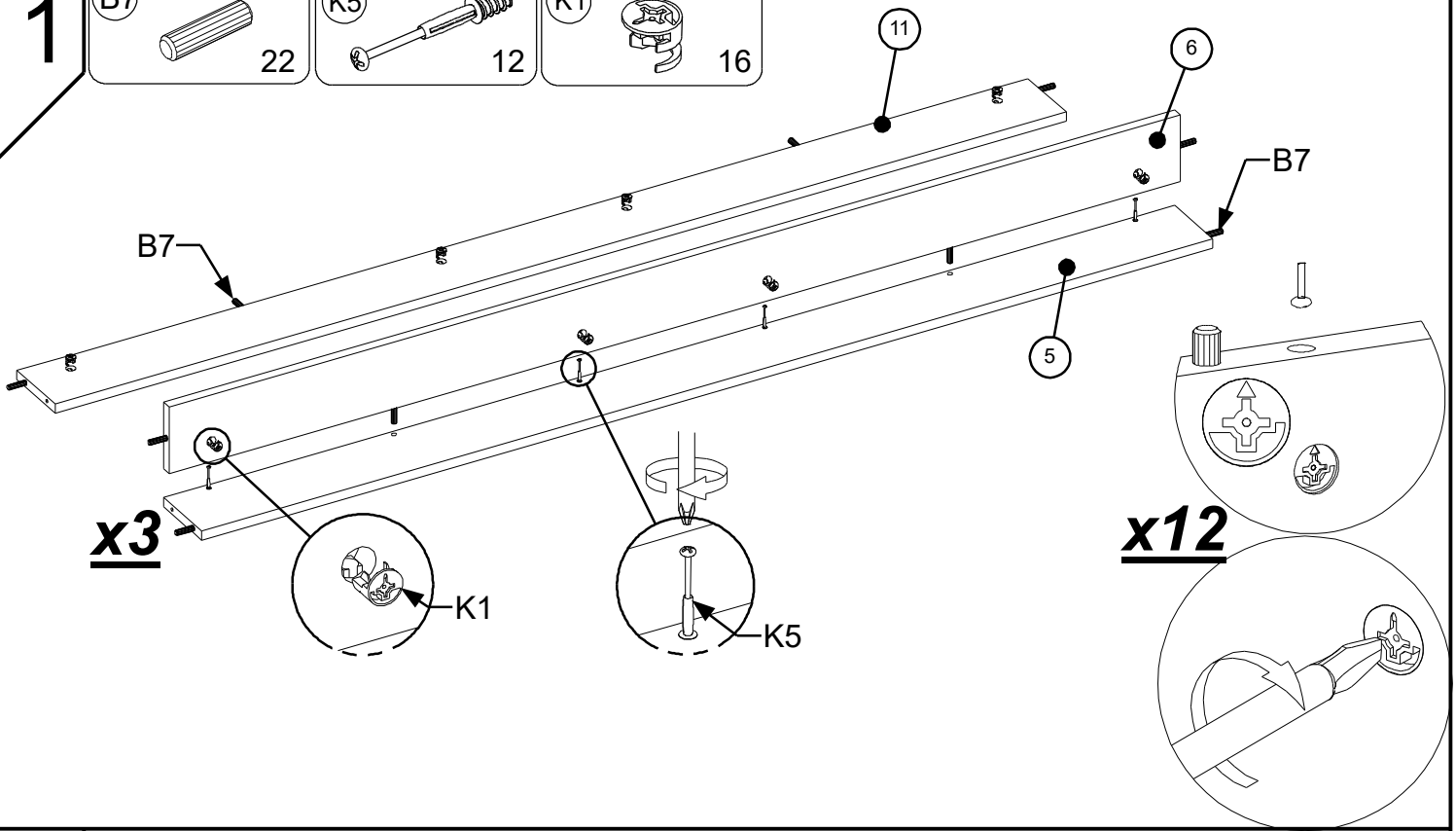
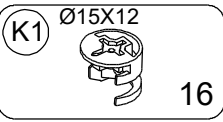
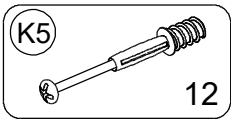
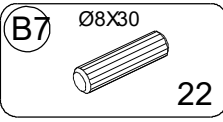


1/6	1, 5, 6, 8, 9, 10, assembly instructions
2/6	4, 7, 12, 13
3/6	2, 3, 14, 15
4/6	16, 17, 18, 19
5/6	Steel frame, mechanism, fittings
6/6	Handle, LED lights

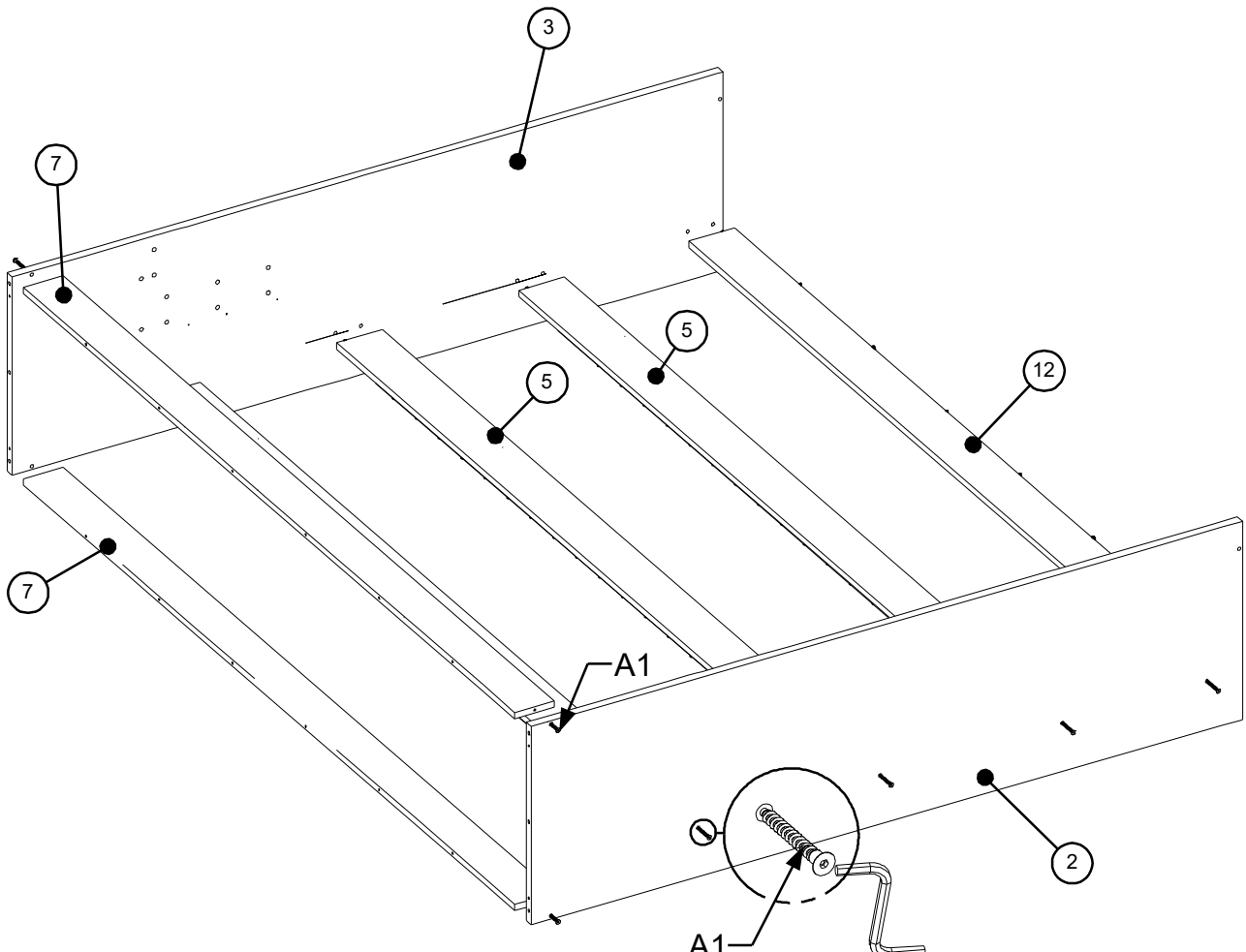
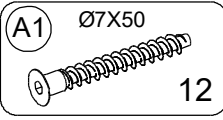
W4 128	A1z 36	G1 6.3x13 8	N9 M6X20 20	A1 Ø7X50 36	N12 M4X22 4
N6 M6X50 24	N5 M6X60 4	K5 16	G4 Ø4X16 26	K1 Ø15X12 16	P20 8
N11 M6X12 44	N2 M6X60 16	O2 20	K1z 16	S17 63	B7 Ø8X30 34



1



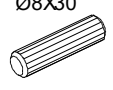
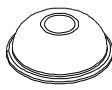
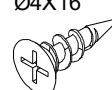
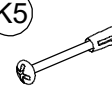
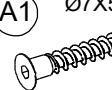
2

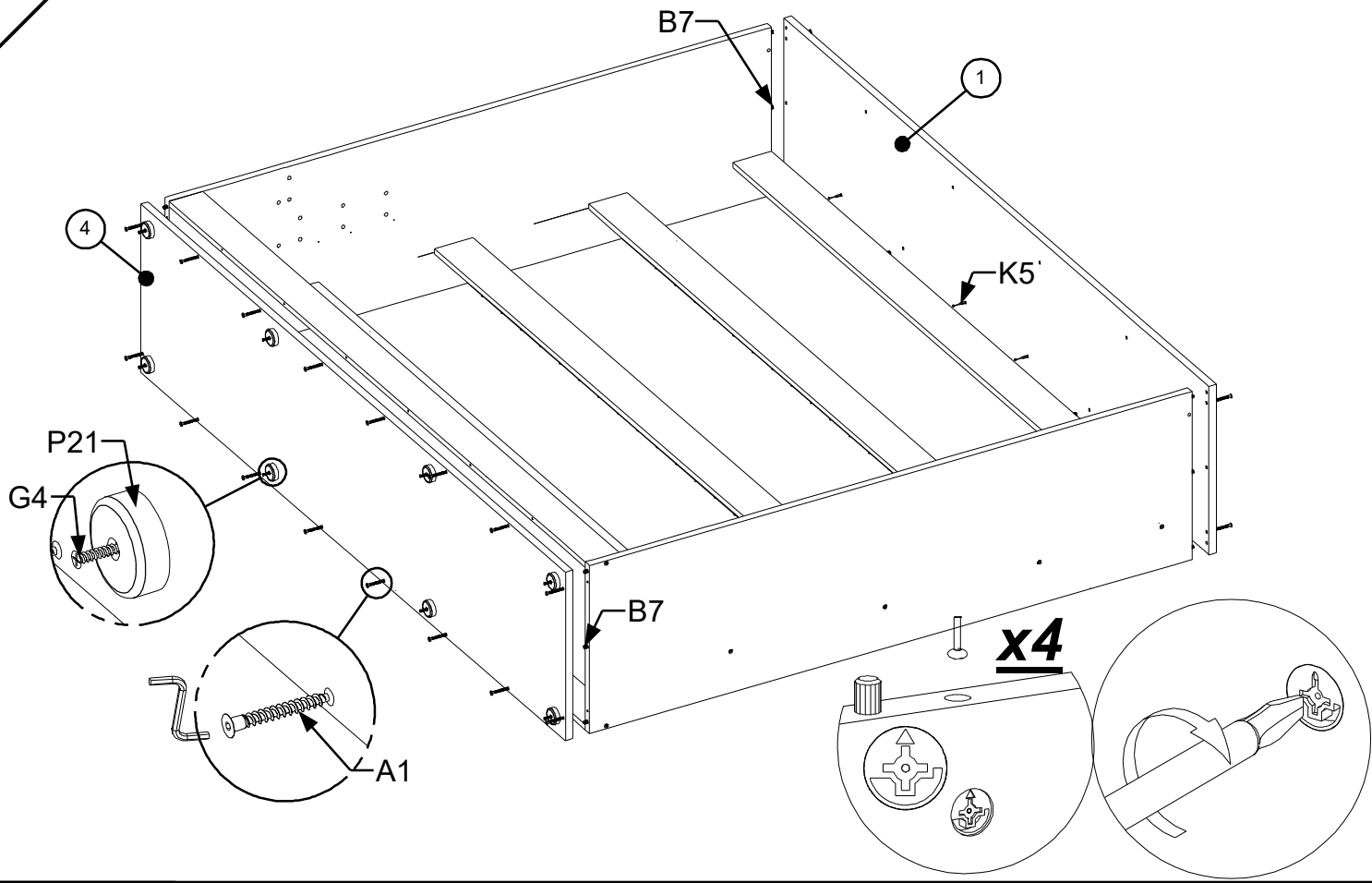


x12

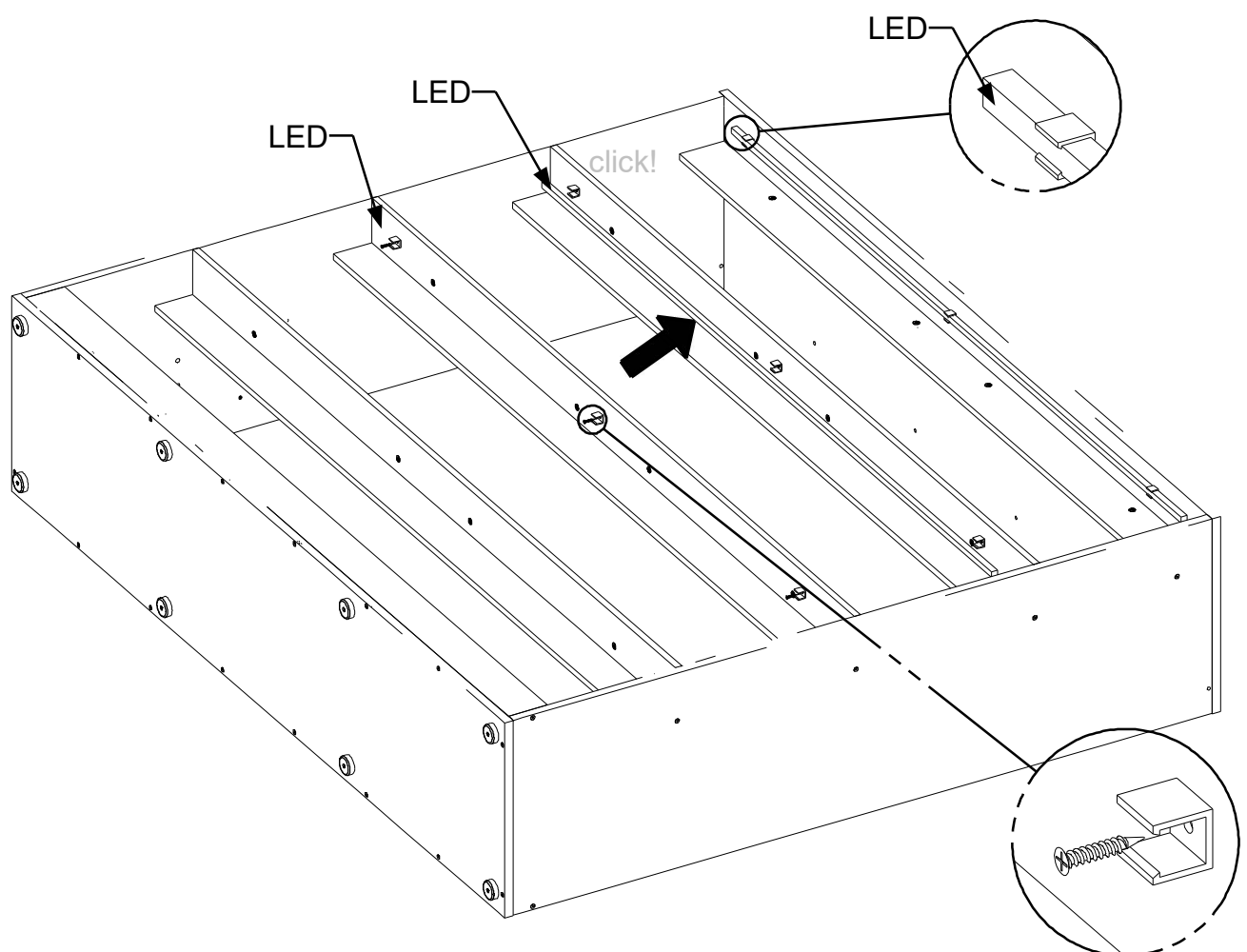
3

3

- B7 $\varnothing 8 \times 30$

 12
- P20

 8
- G4 $\varnothing 4 \times 16$

 8
- K5

 4
- A1 $\varnothing 7 \times 50$

 20



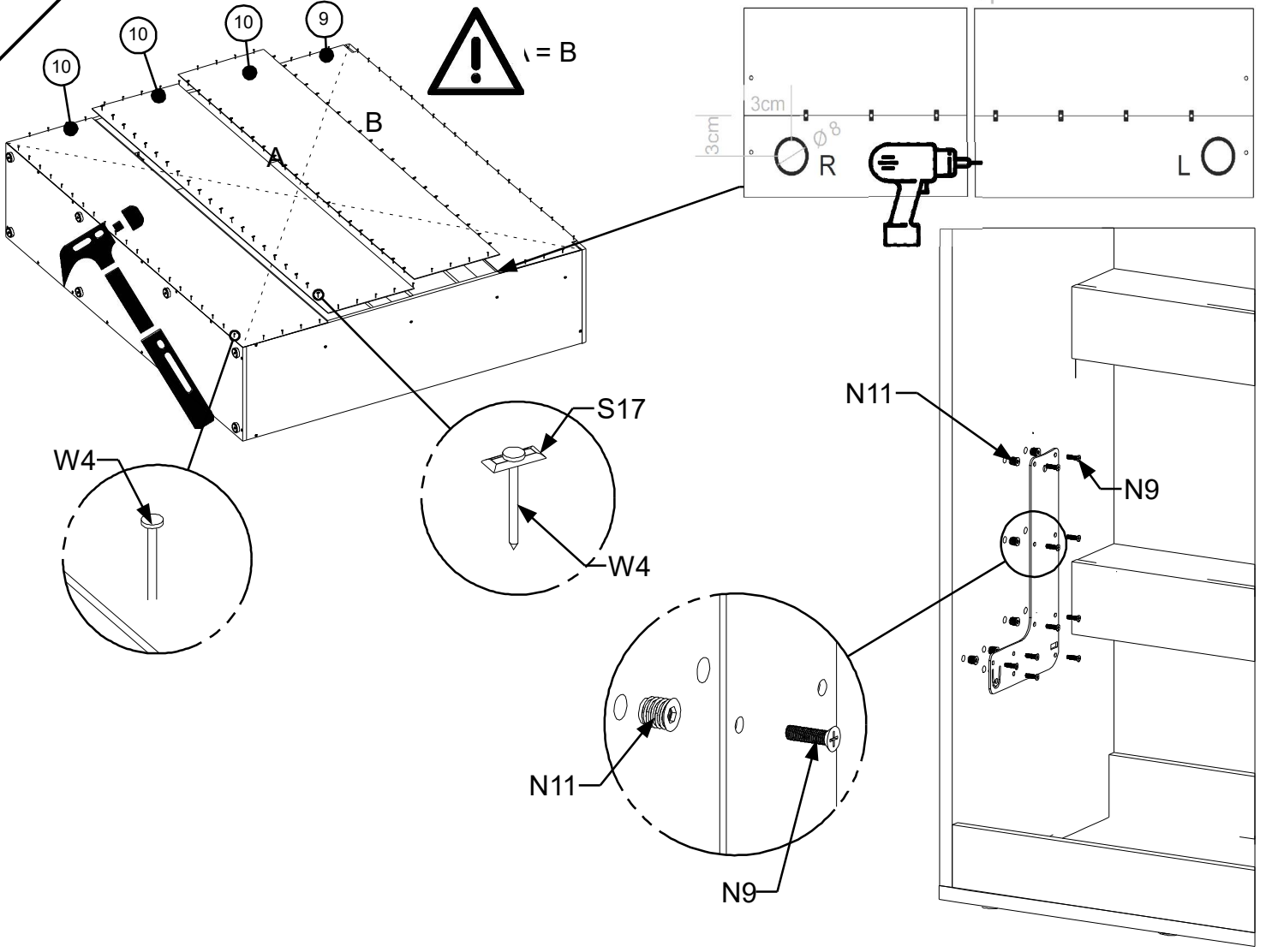
4



4

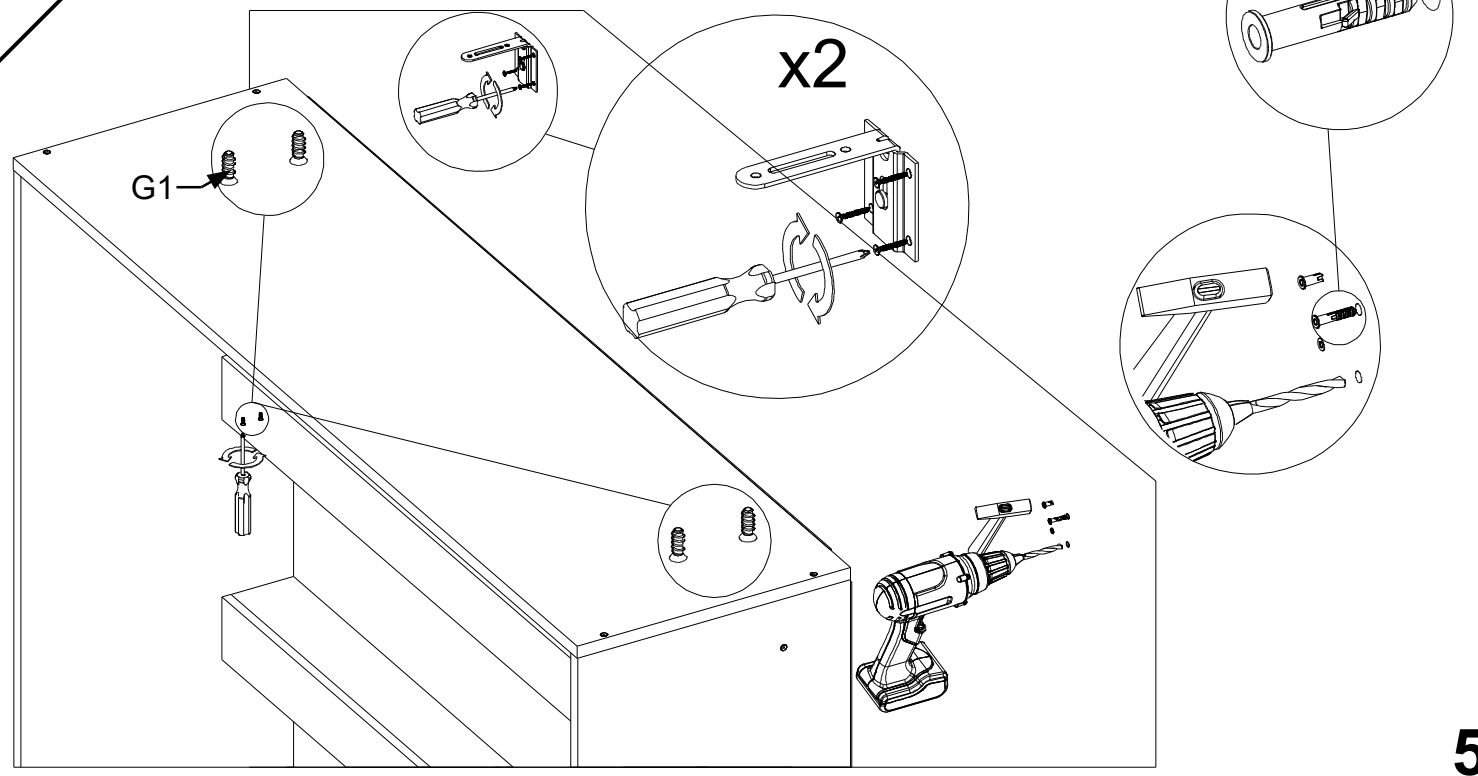
5

- (W4) 128
- (S17) 63
- (N9) M6X20 20
- (N11) M6X12 20

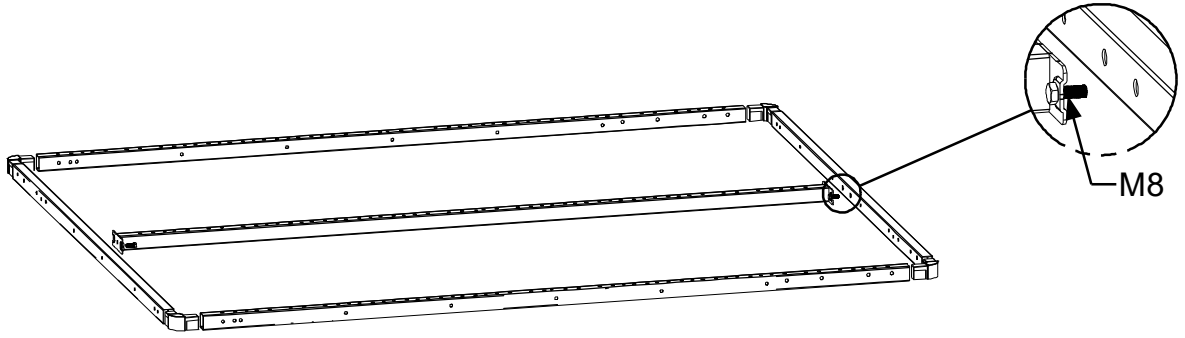


6

- (G1) 6.3x13 4

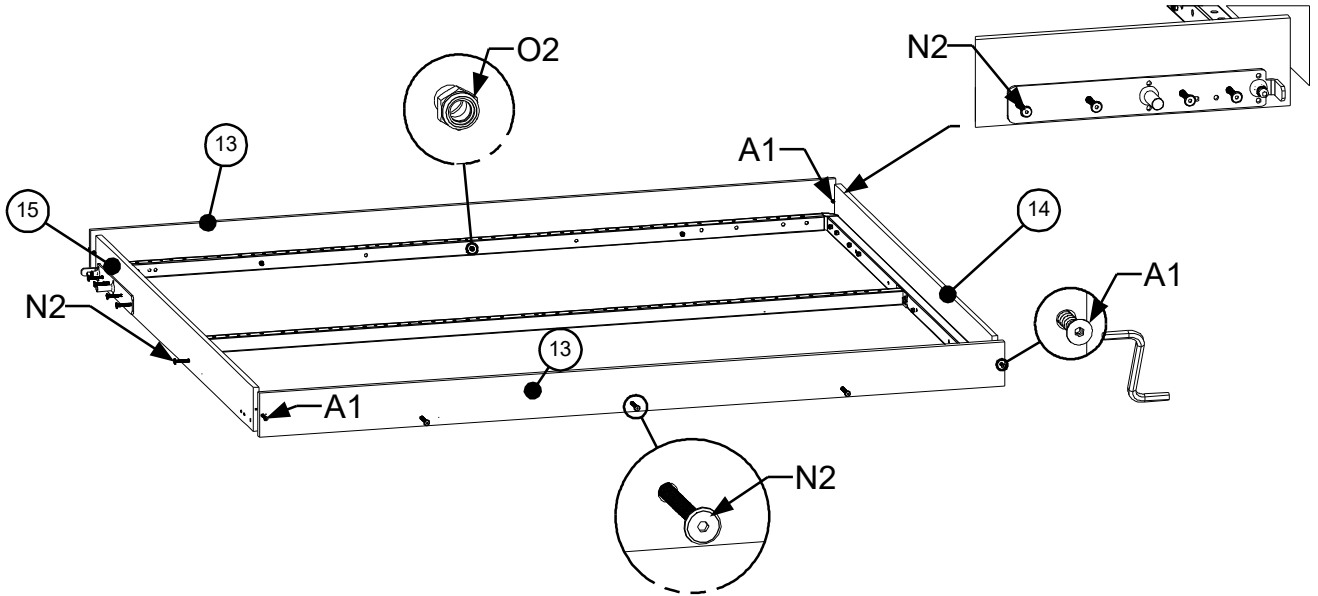


7



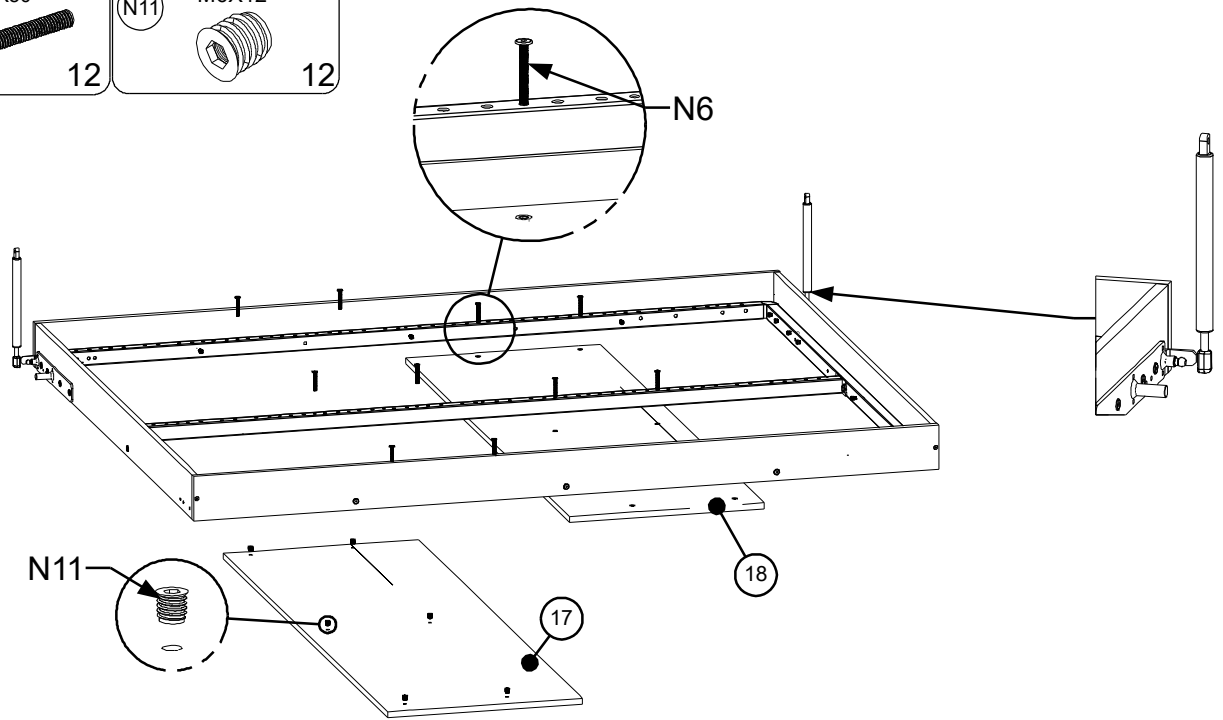
8

- A1 Ø7X50 4
- N2 M6X60 16
- O2 16



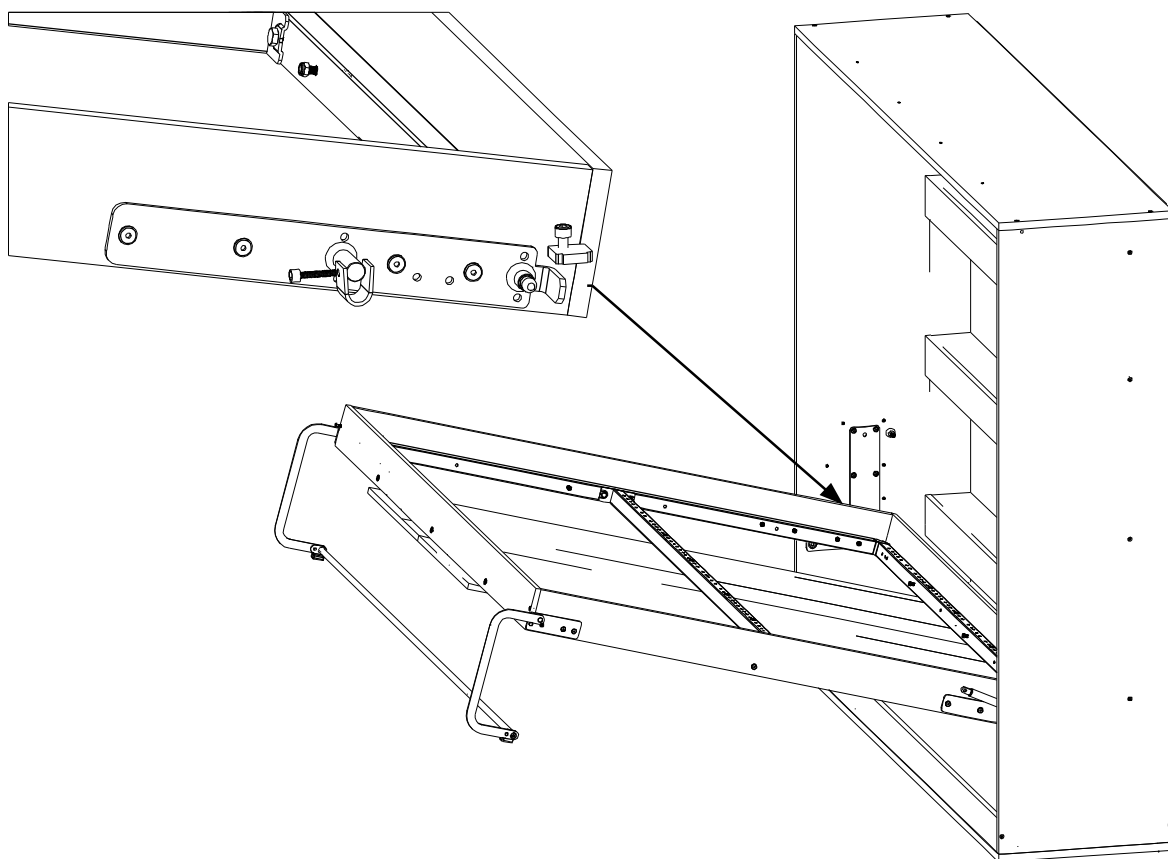
9

- N6 M6X50 12
- N11 M6X12 12

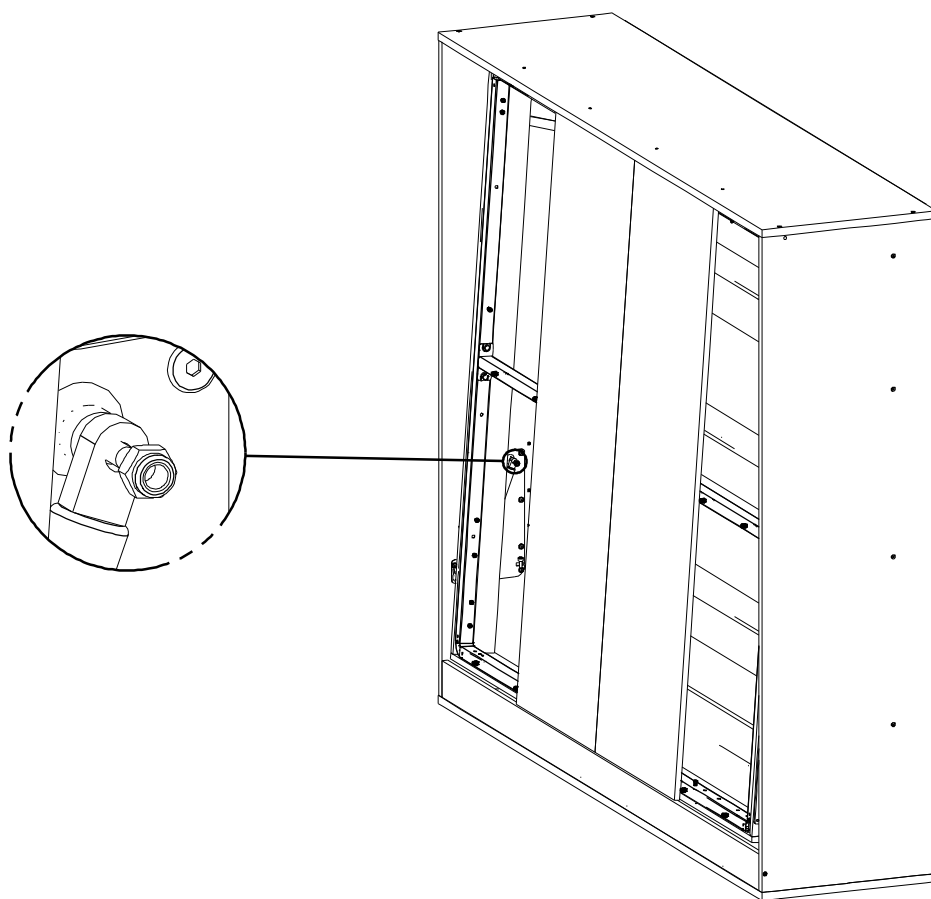


6

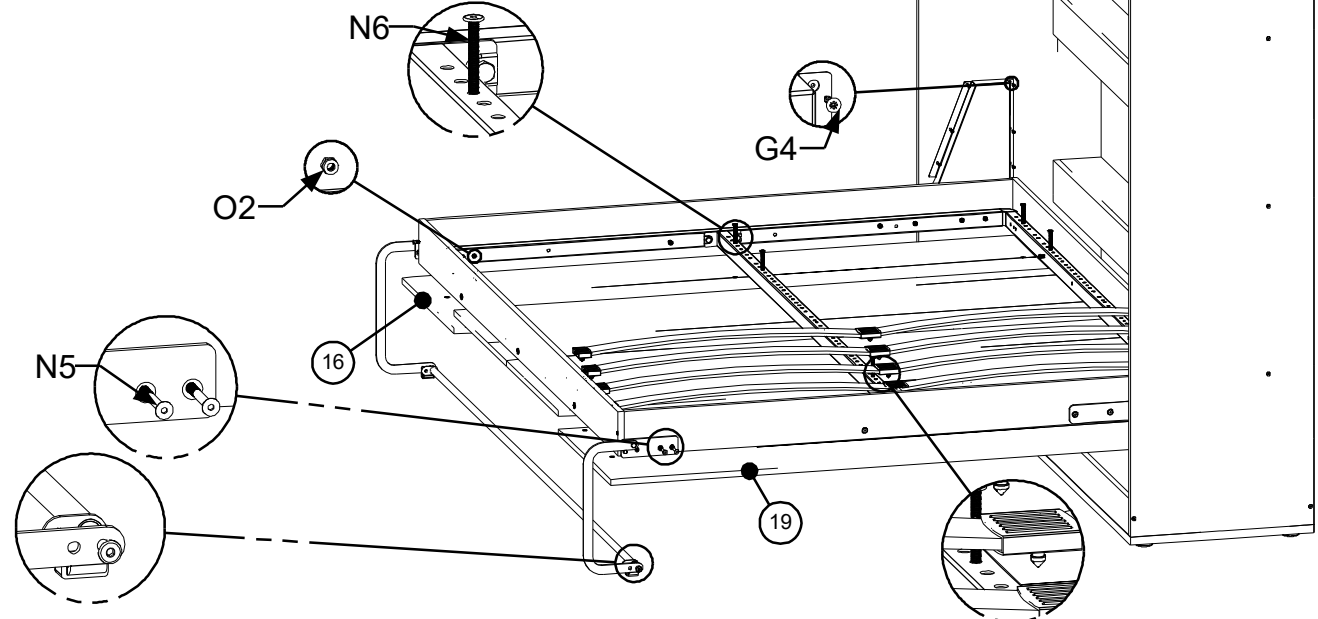
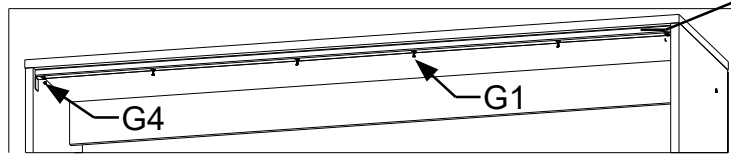
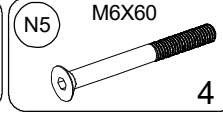
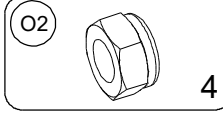
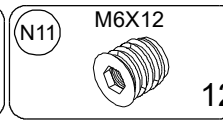
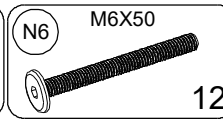
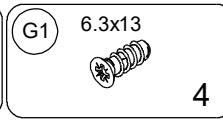
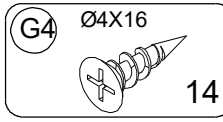
10



11



12



13

