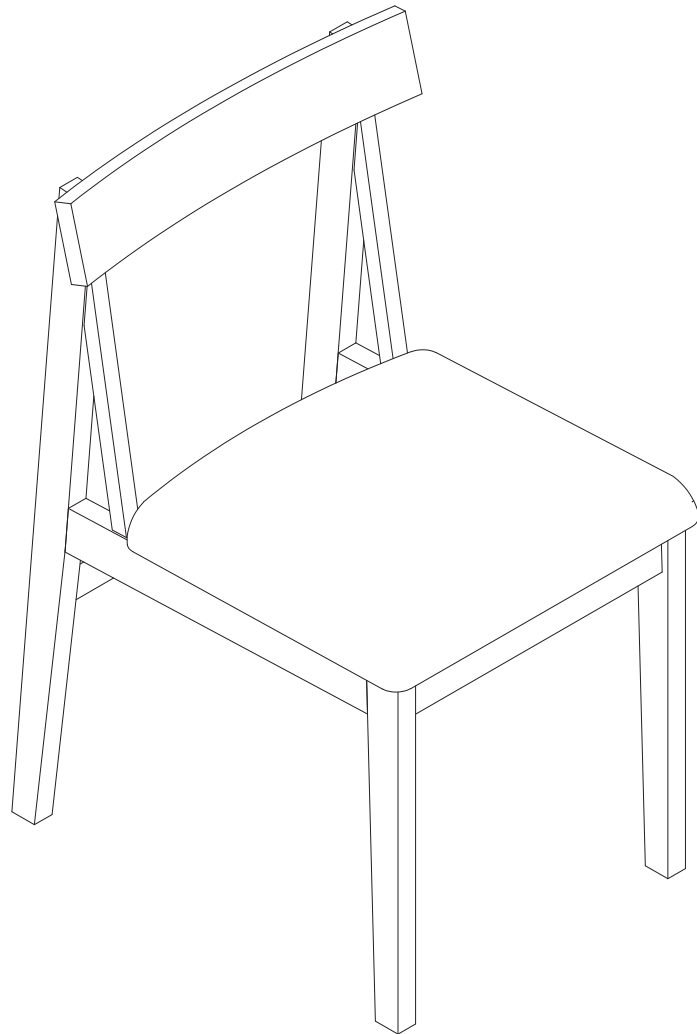
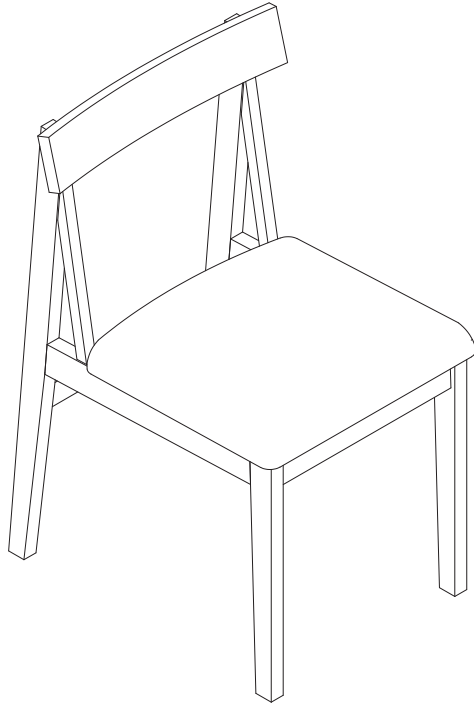


ISLE





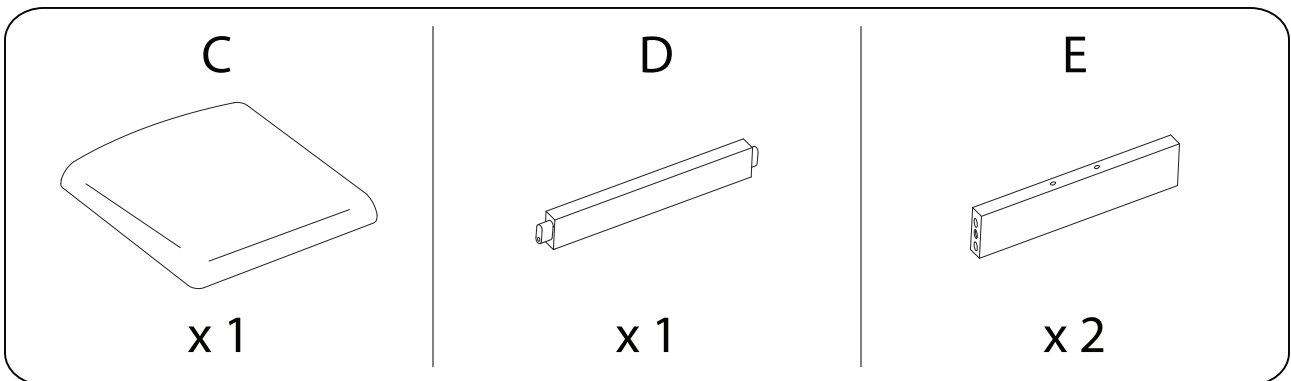
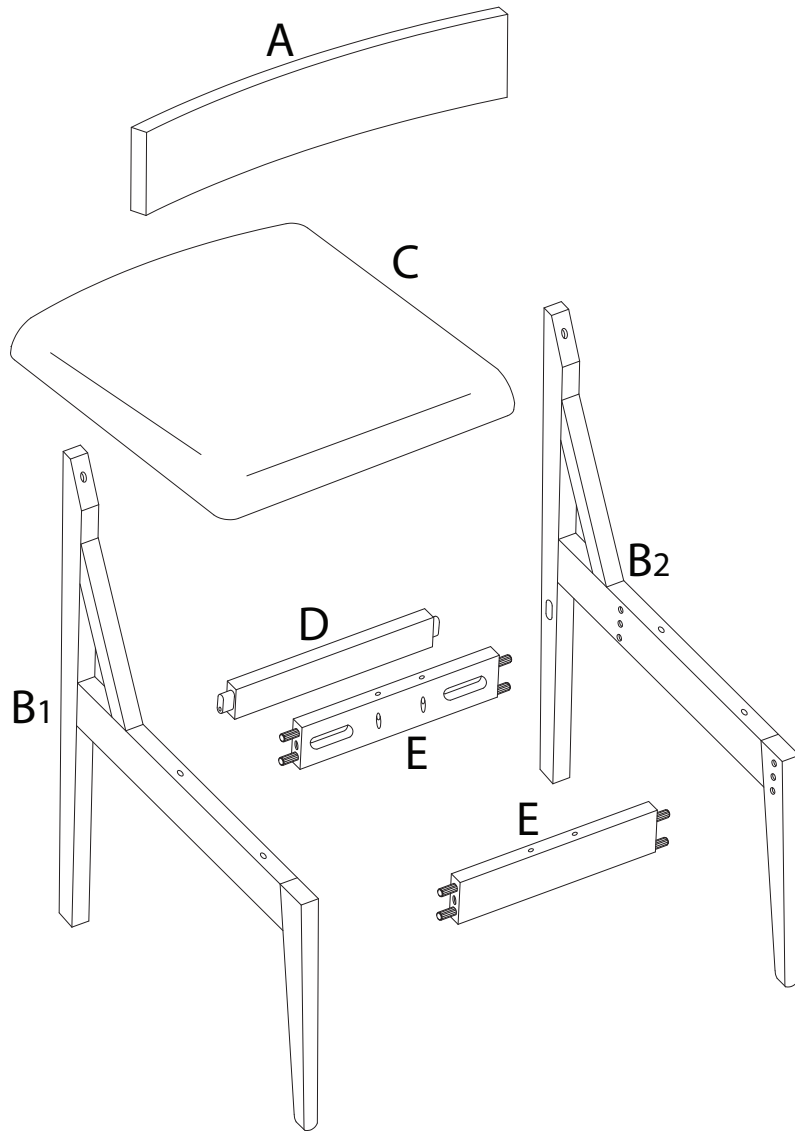
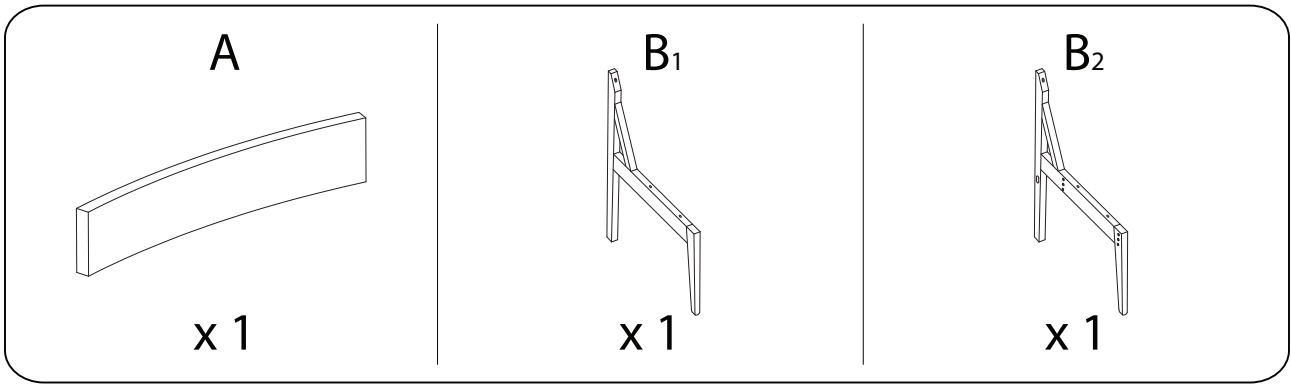
Assembly instructions for the chair, including tool requirements, time, and personnel.

Tools: A circular icon contains a screwdriver and an Allen key. A power drill is shown with a diagonal line through it, indicating it is not required.

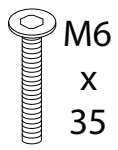
Time: A clock icon indicates an estimated assembly time of 30 minutes.

Personnel: A person icon and the number 2 indicate that two people are required for assembly.

Warnings: Two warning triangles (exclamation marks) are present. The first is connected to the tool requirements, and the second is connected to the personnel requirement.

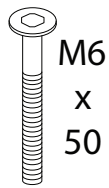


1



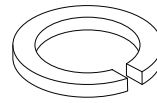
x 2

2



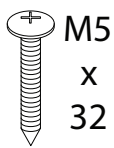
x 4

3



x 6

4



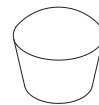
x 10

5



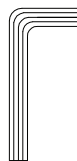
x 8

6



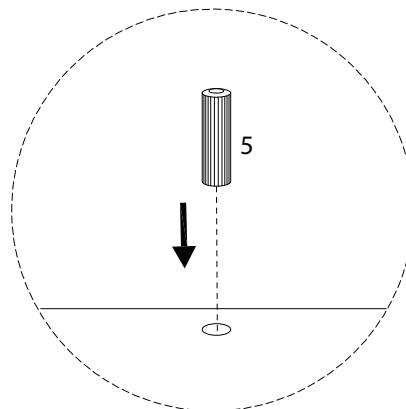
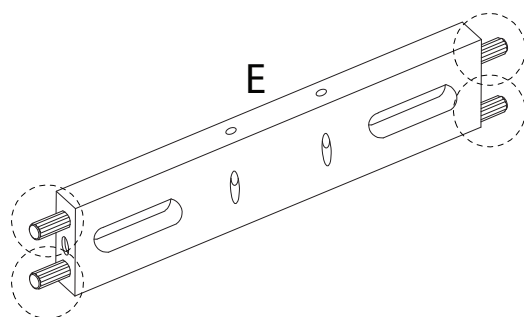
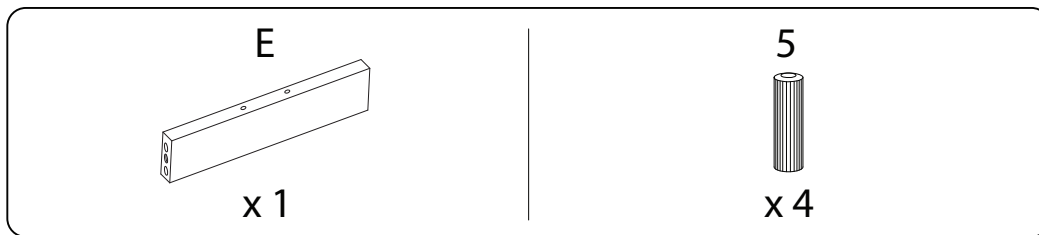
x 2

7

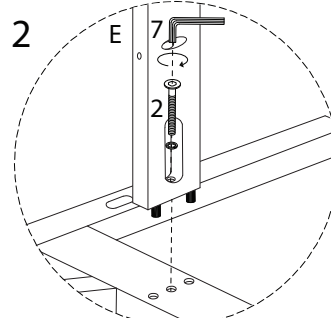
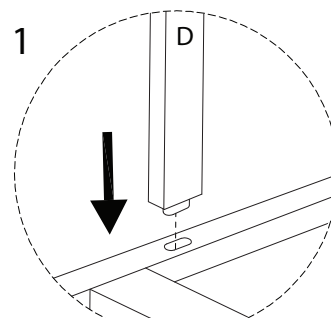
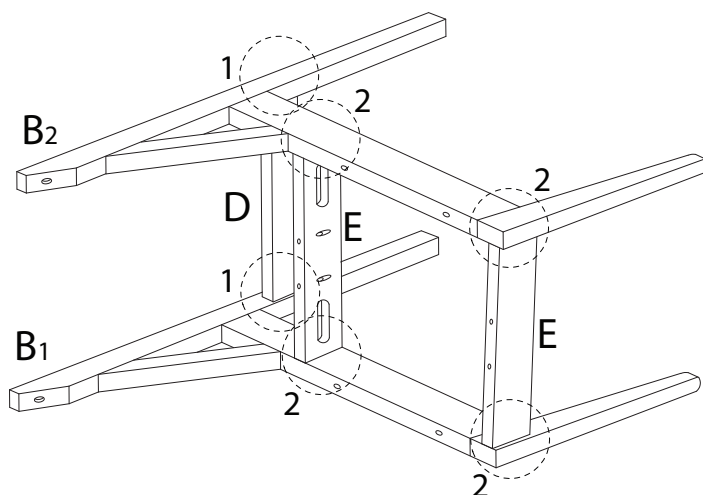
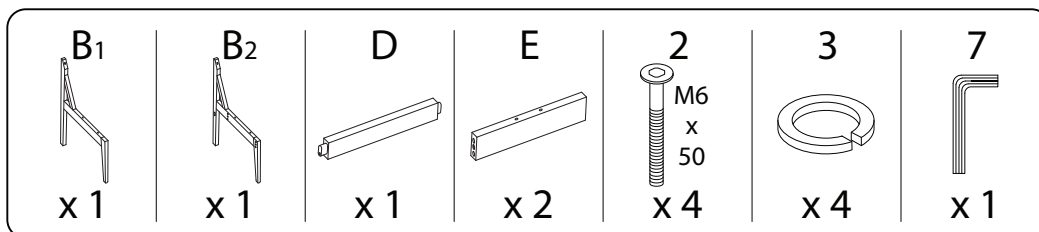


x 1

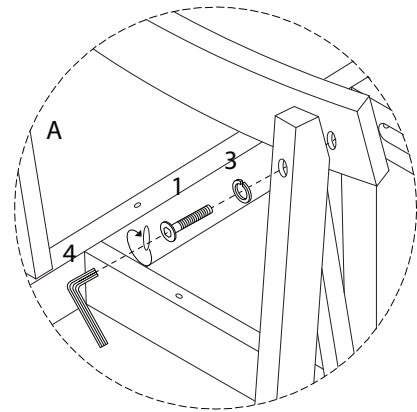
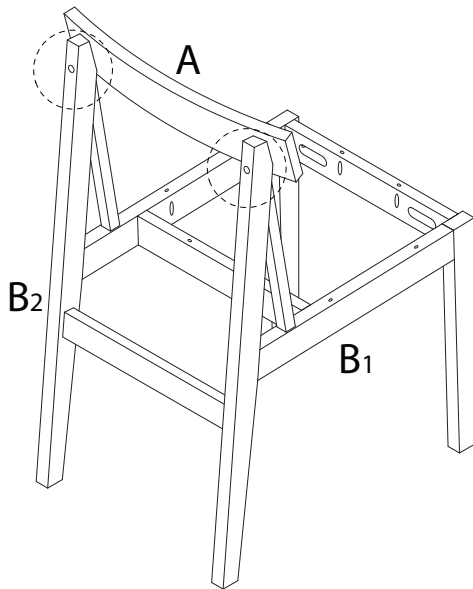
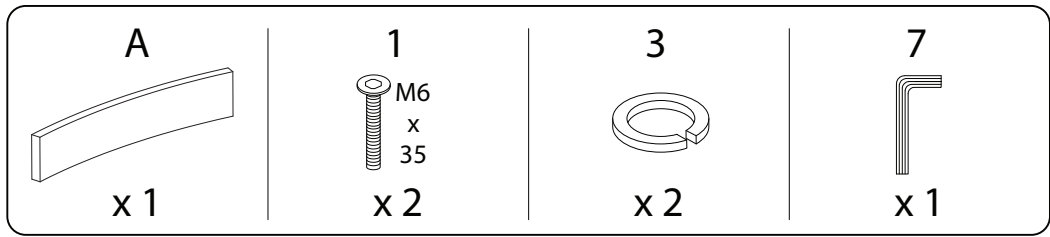
1 x 2



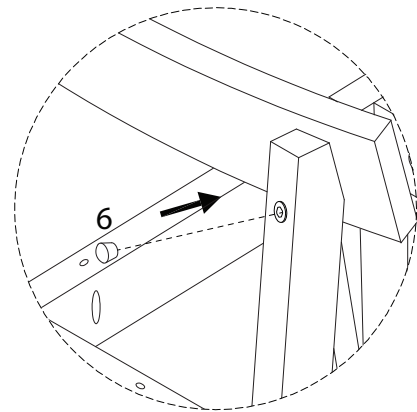
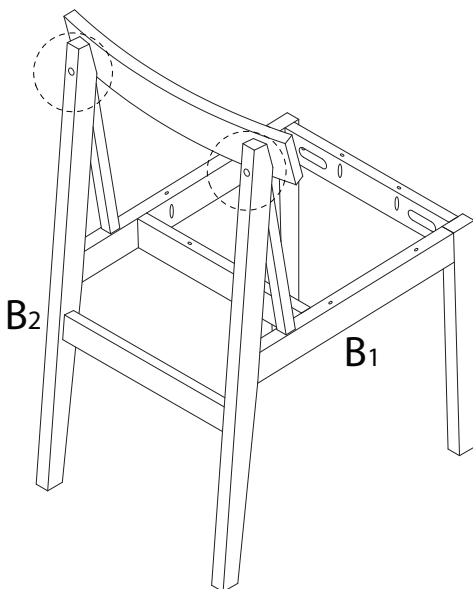
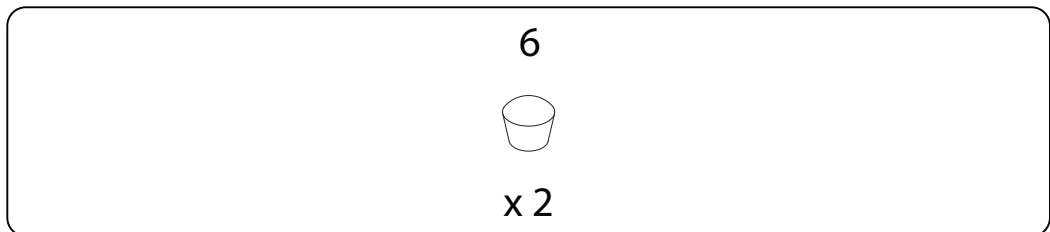
2



3

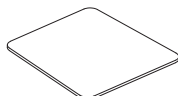


4



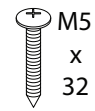
5

C



x 1

4



x 10

