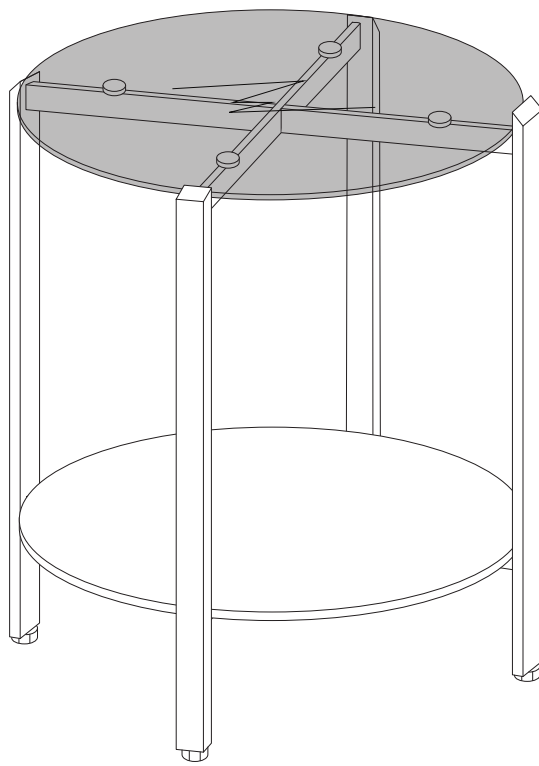
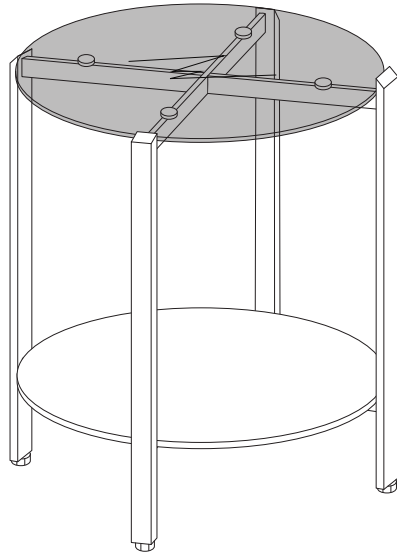




LOVELL

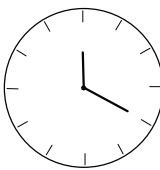


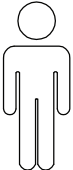


Assembly instructions for the table, including safety warnings, time estimate, and person count.

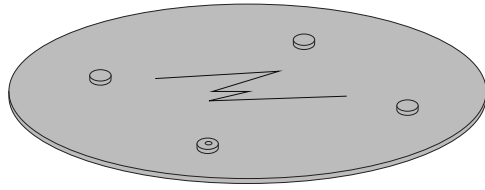
Warning 1: Do not use a power drill on the L-shaped corner brackets. 

Warning 2: Do not use a power drill on the rectangular base. 

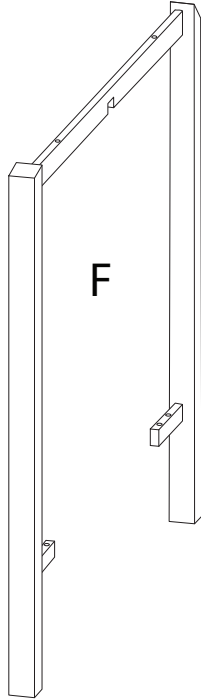
Time: 20' 

Person Count: 2 

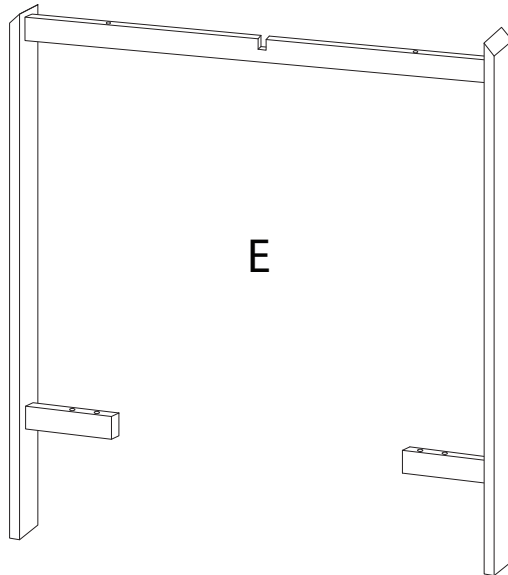
C



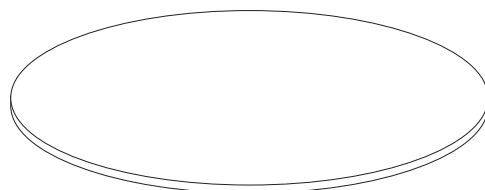
F



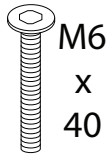
E



D



A



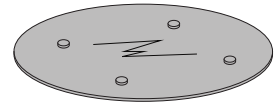
x 8

B



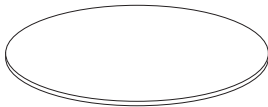
x 1

C



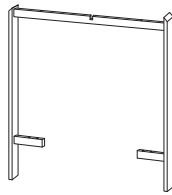
x 1

D



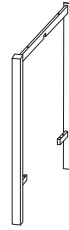
x 1

E



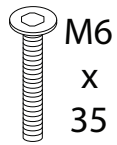
x 1

F



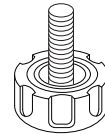
x 1

G



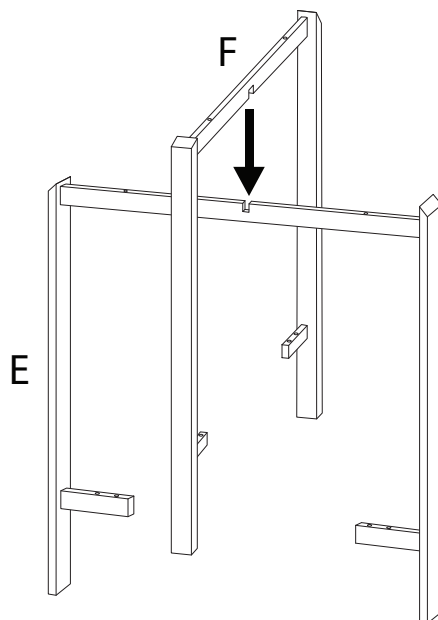
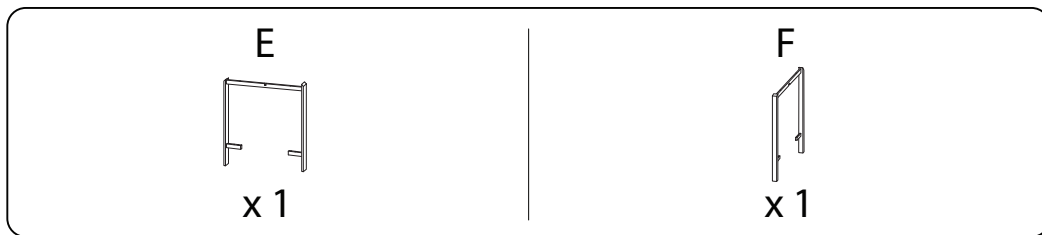
x 4

H

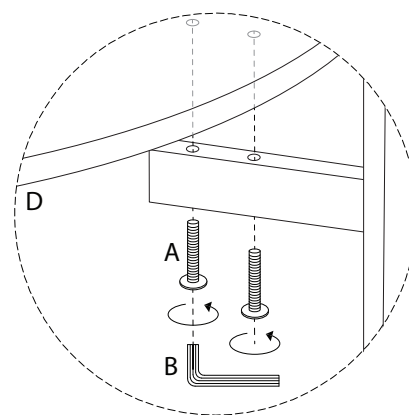
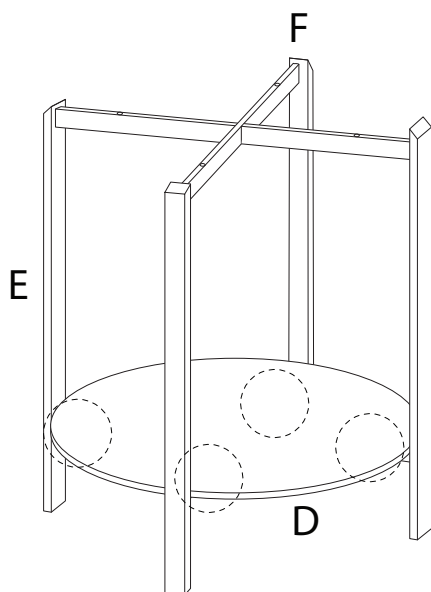
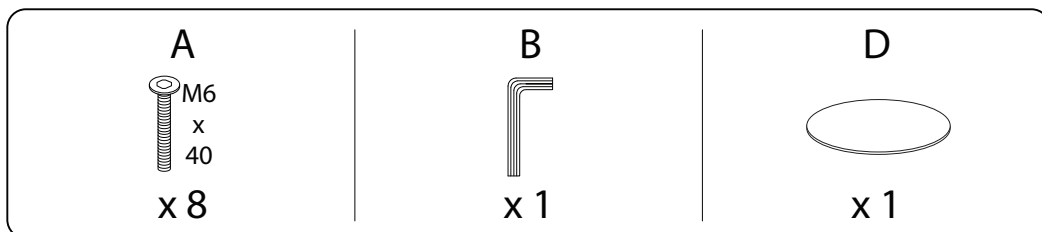


x 4

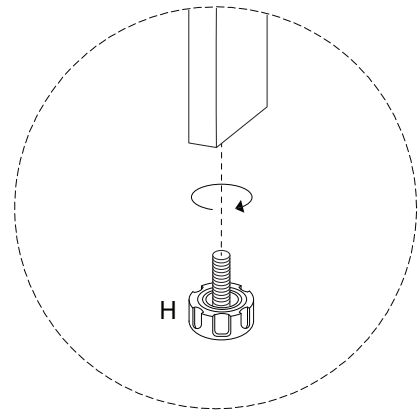
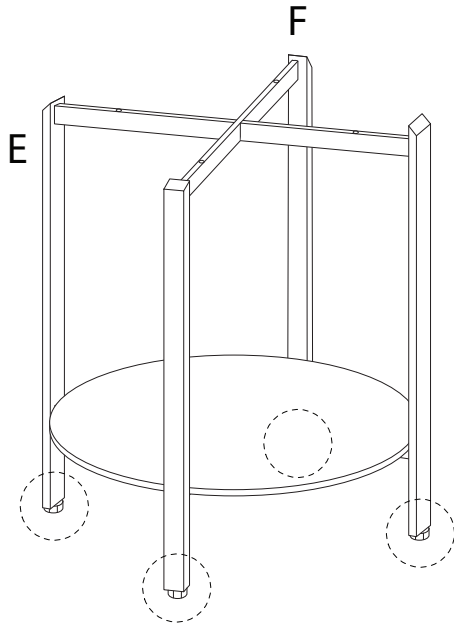
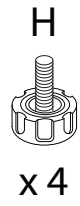
1



2



3



4

