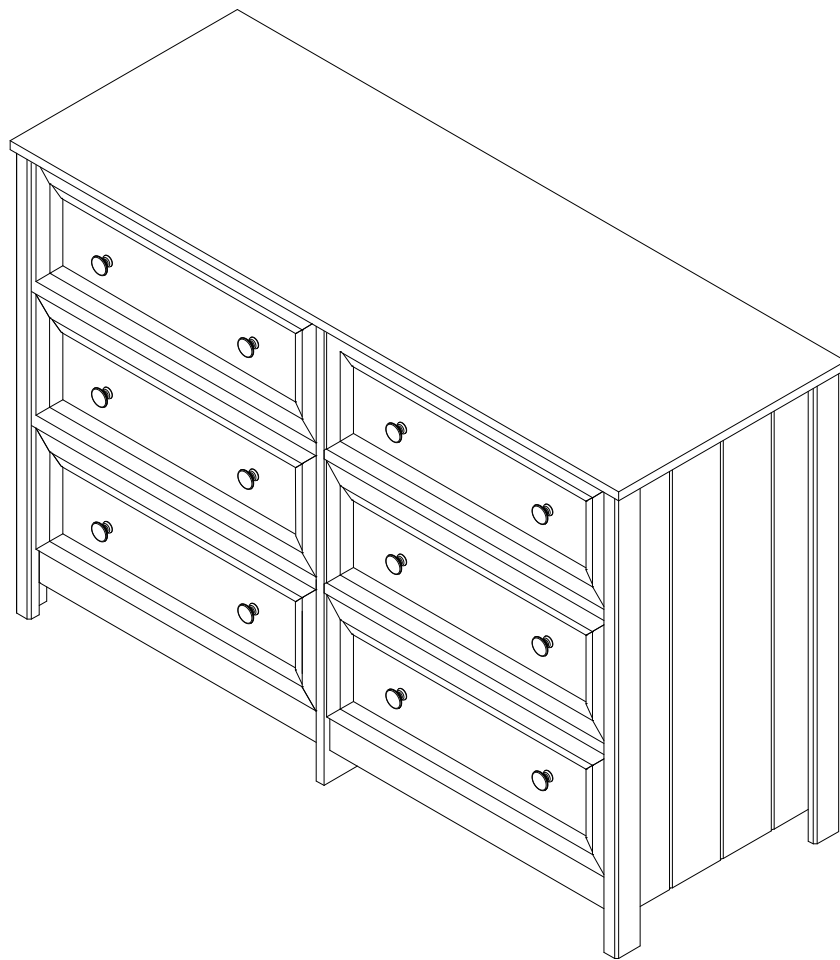
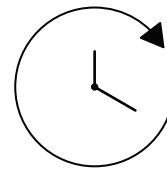
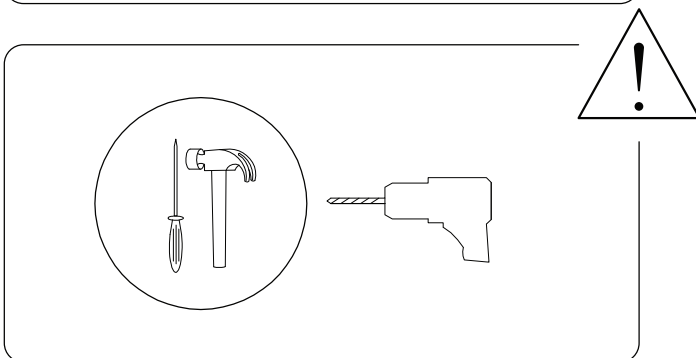
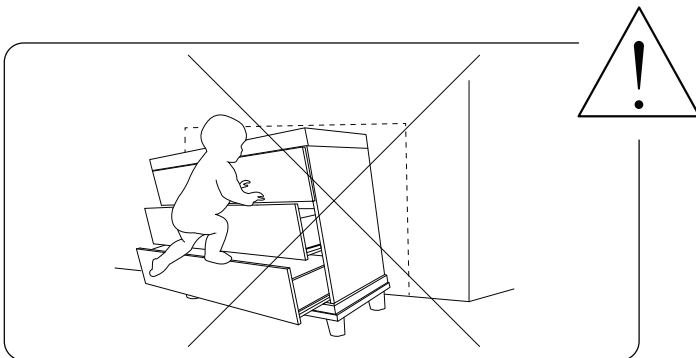
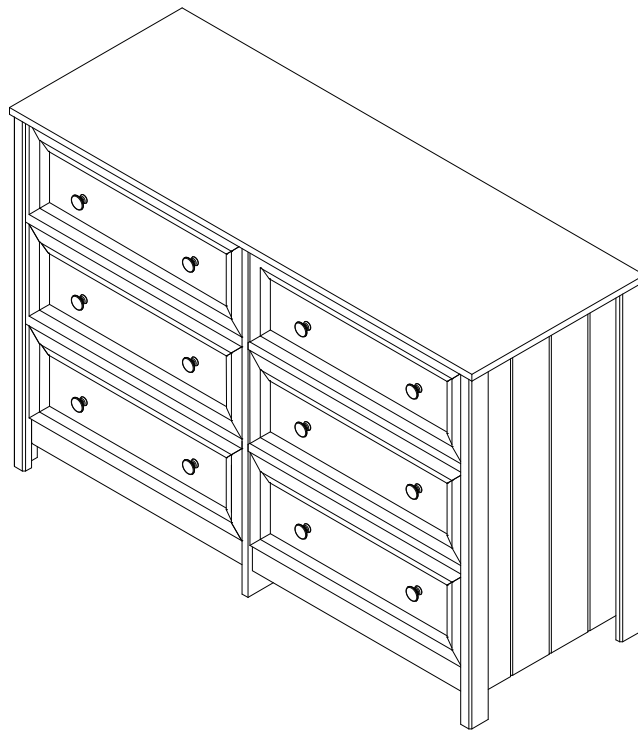
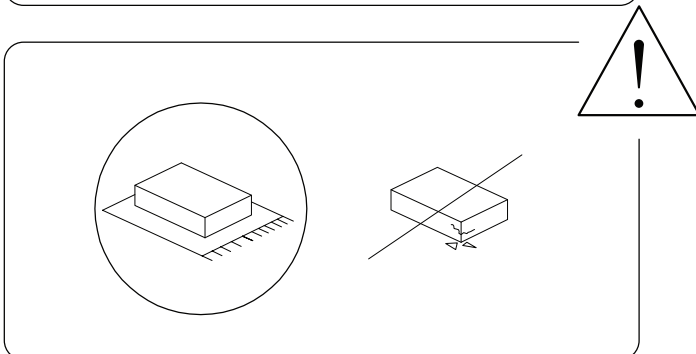


HAZELVALE

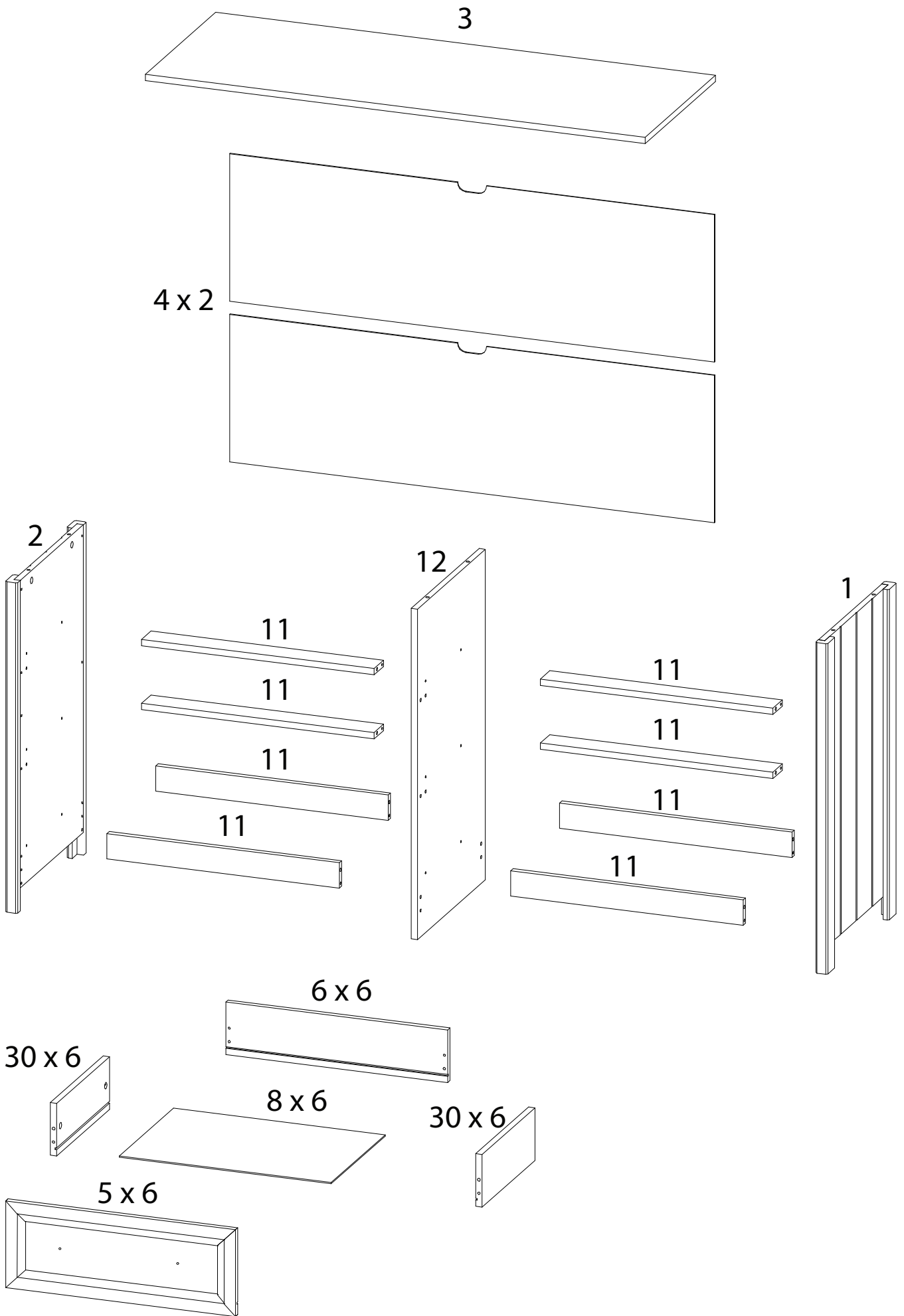


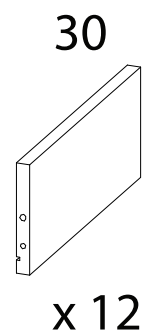
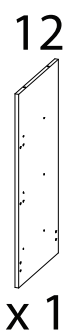
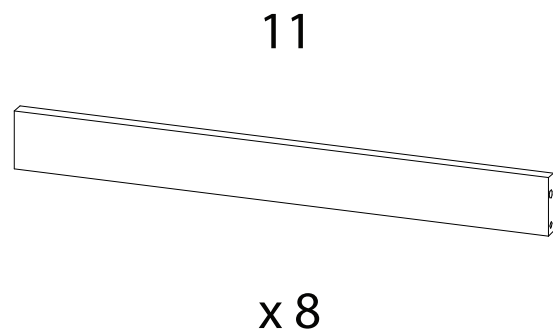
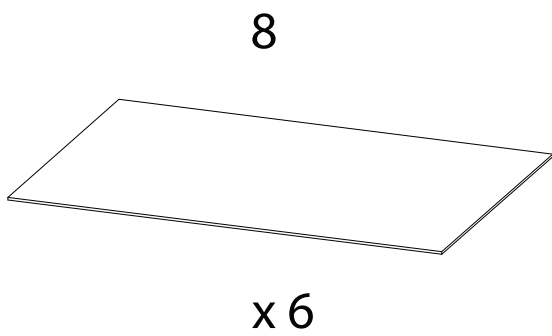
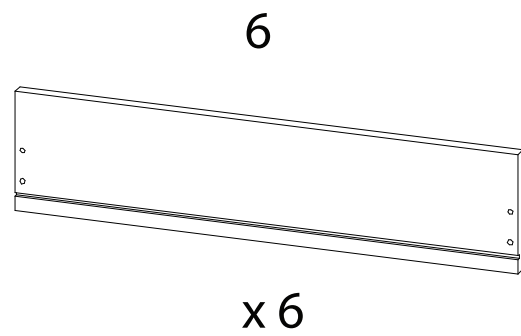
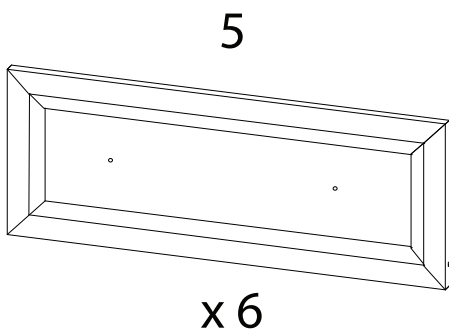
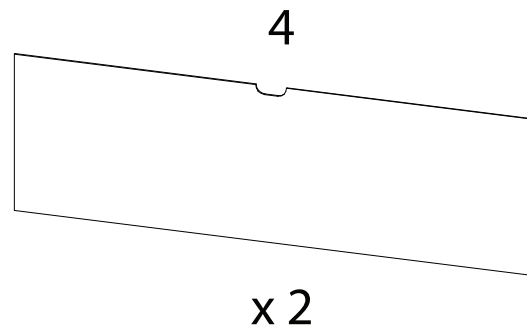
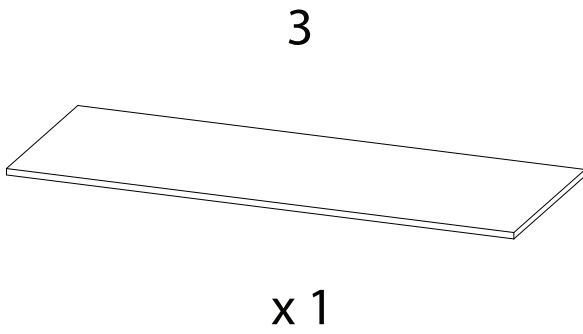
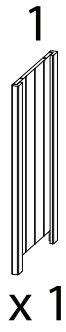


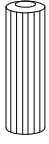
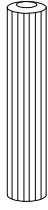

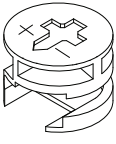
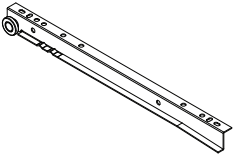
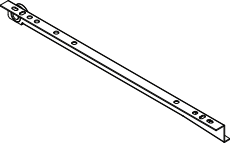
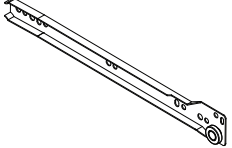
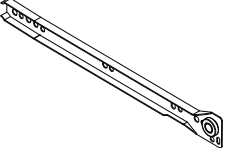
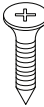

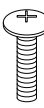
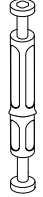

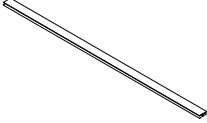
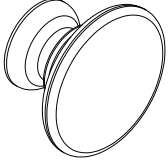
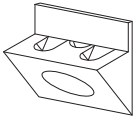
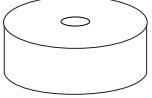
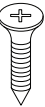
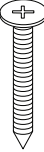
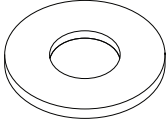
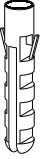

90'



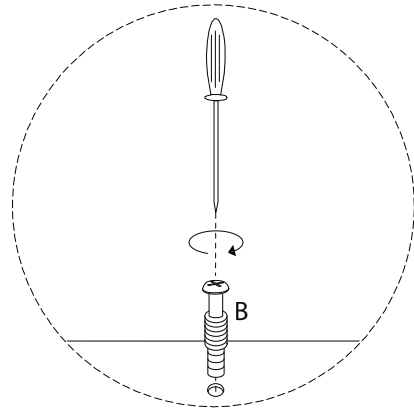
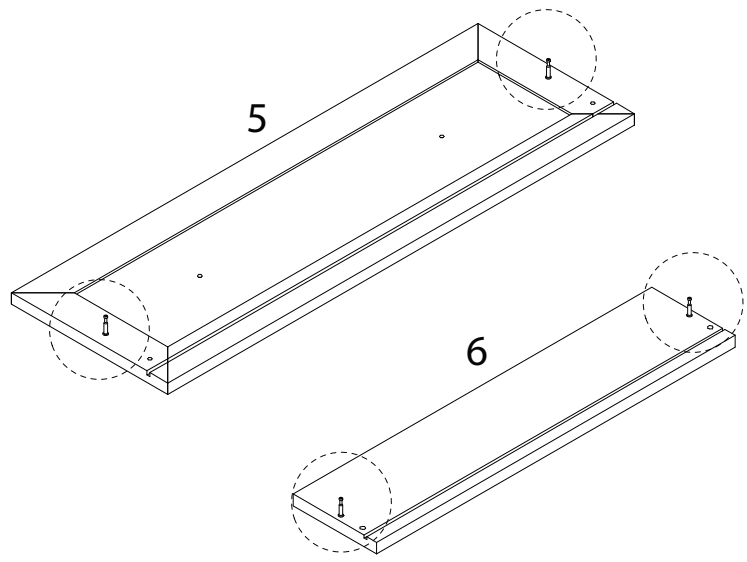
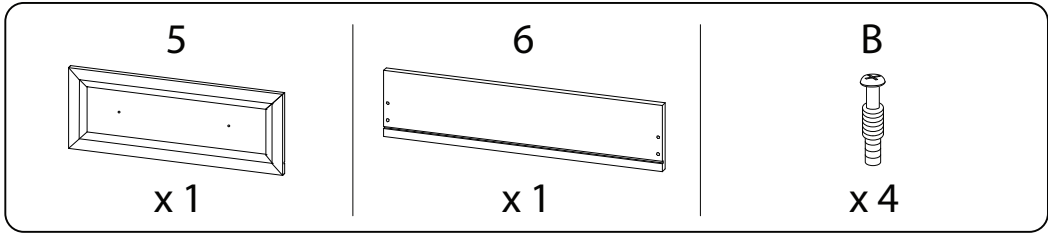
2



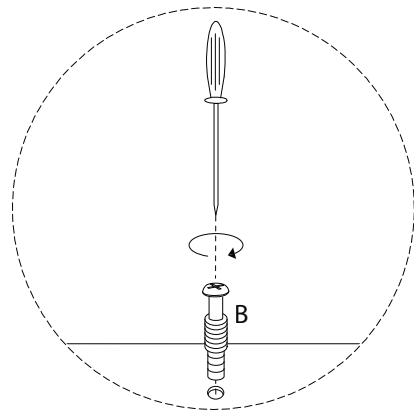
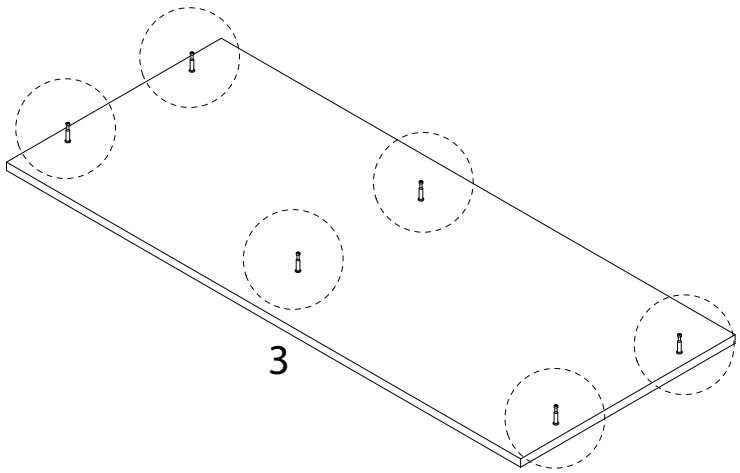
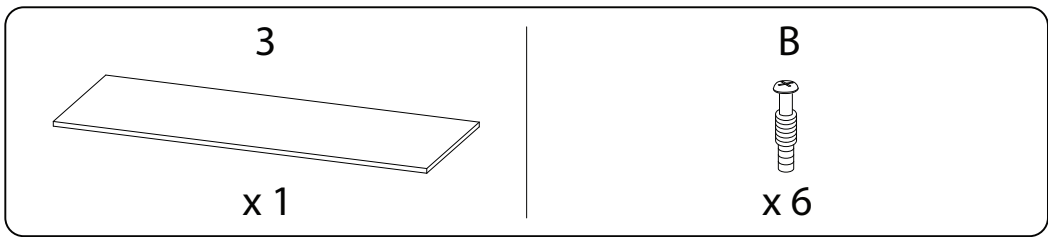


<p>A</p>  <p>x 32</p>	<p>AS</p>  <p>x 4</p>	<p>B</p>  <p>x 38</p>	<p>C</p>  <p>x 46</p>	<p>CR1</p>  <p>x 6</p>
<p>CR2</p>  <p>x 6</p>	<p>CR3</p>  <p>x 6</p>	<p>CR4</p>  <p>x 6</p>	<p>D</p>  <p>M3.5 x 14</p> <p>x 54</p>	<p>EN</p>  <p>x 40</p>
<p>FB</p>  <p>M4 x 20</p> <p>x 12</p>	<p>FL</p>  <p>x 4</p>	<p>P</p>  <p>M6 x 8</p> <p>x 24</p>	<p>PF</p>  <p>x 2</p>	<p>PX</p>  <p>x 12</p>
<p>U</p>  <p>x 12</p>	<p>X</p>  <p>x 6</p>	<p>Z1</p>  <p>M4 x 13</p> <p>x 1</p>	<p>Z2</p>  <p>M6 x 35</p> <p>x 1</p>	<p>Z3</p>  <p>x 2</p>
<p>Z4</p>  <p>x 1</p>		<p>Z5</p>  <p>x 1</p>		

1 x 6

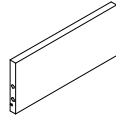


2



3 x 12

30

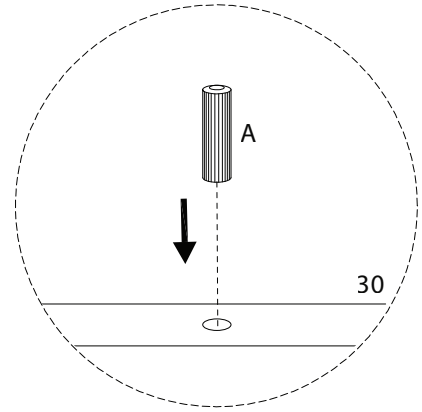
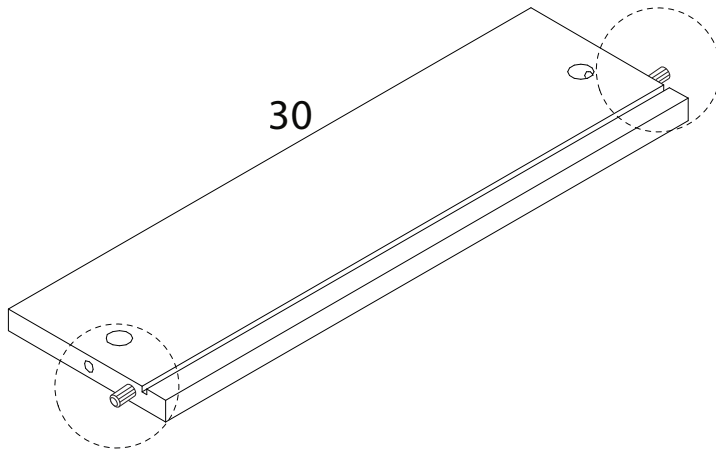


x 1

A



x 2



4

1



x 1

2



x 1

A

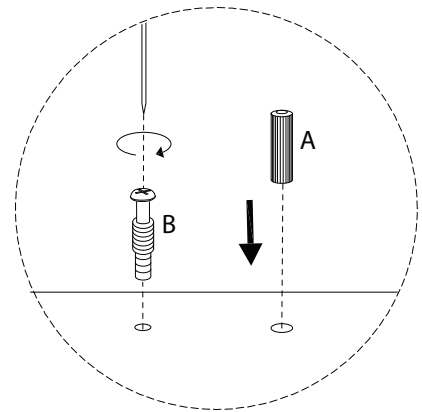
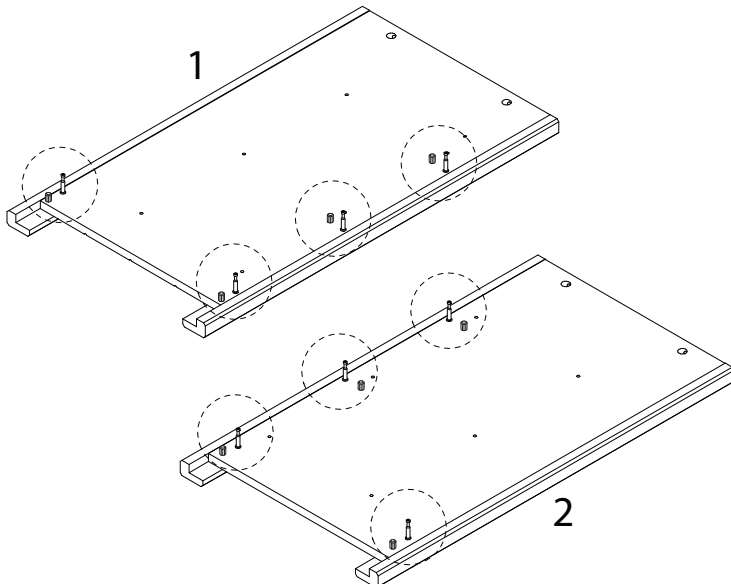


x 8

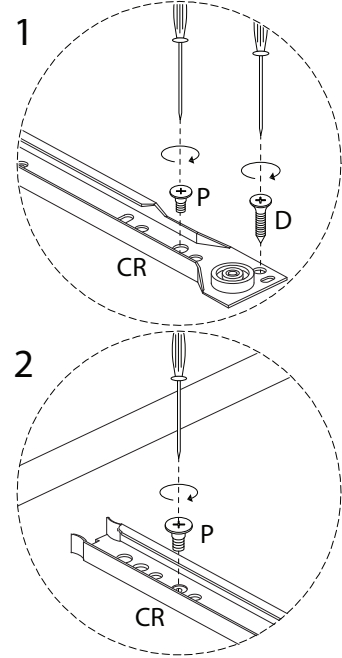
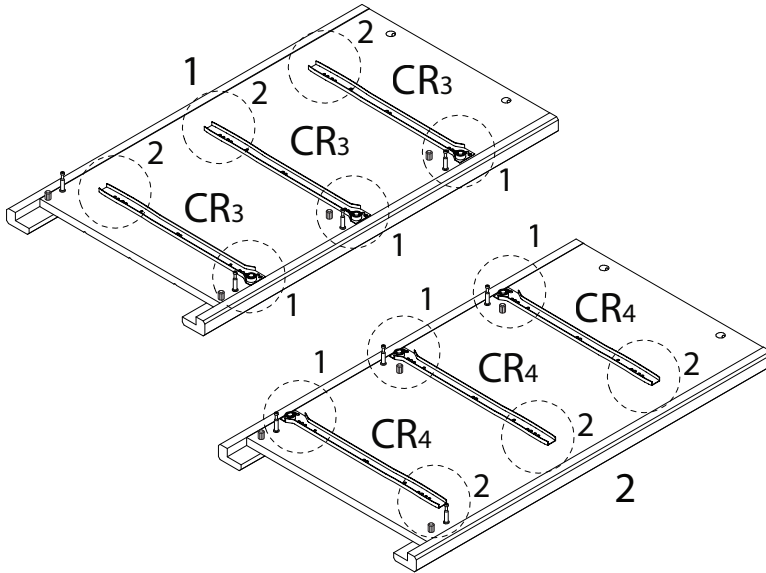
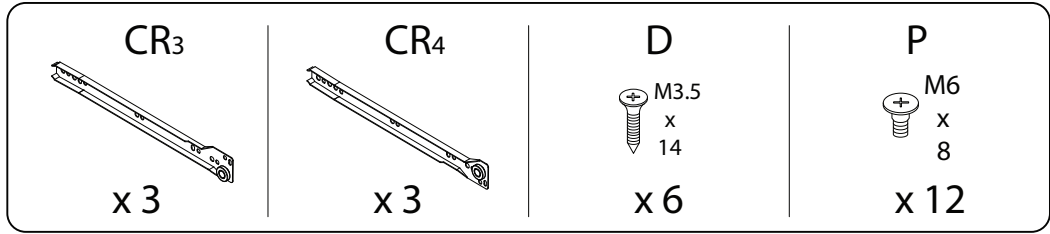
B



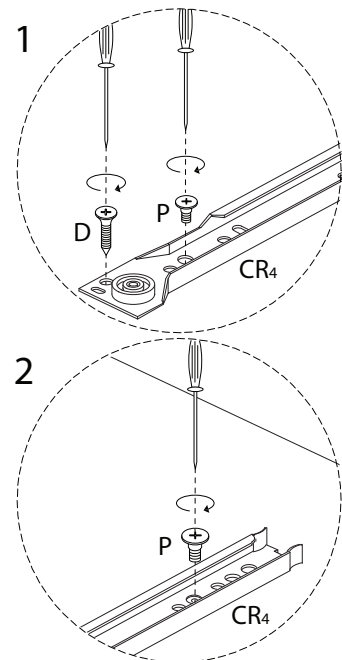
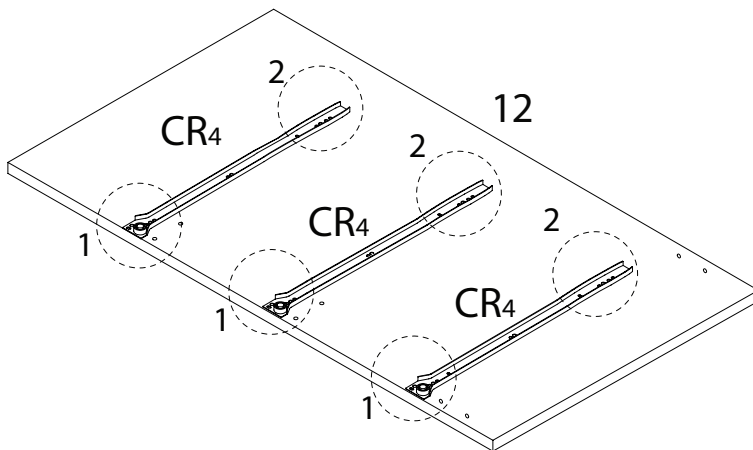
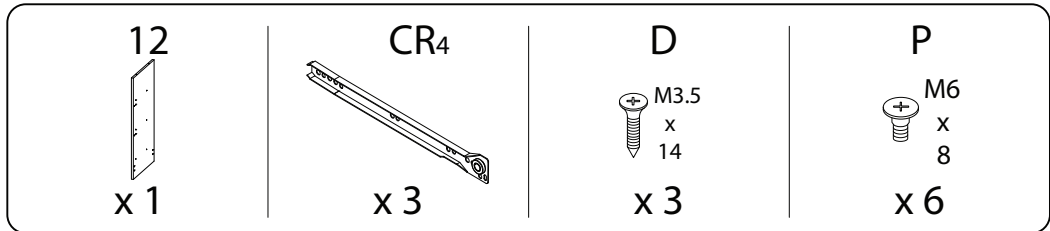
x 8



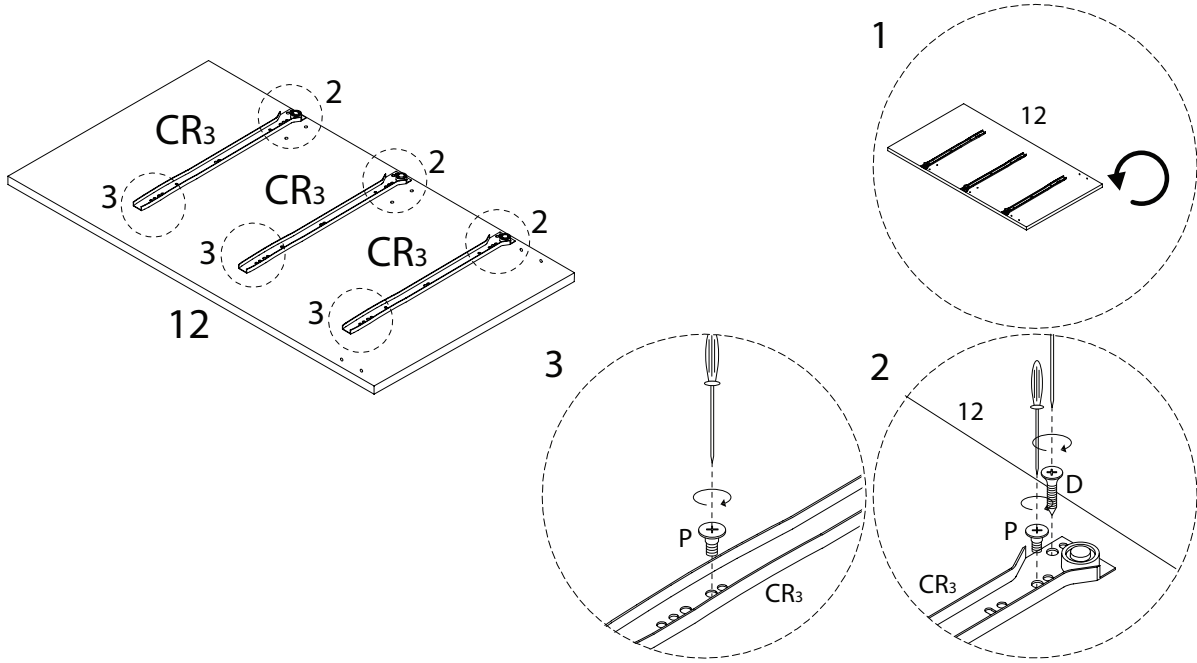
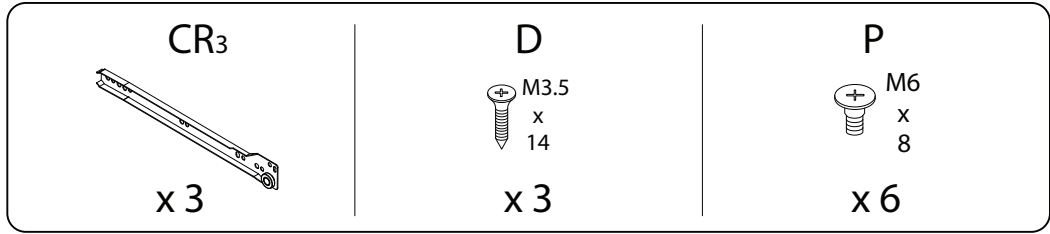
5



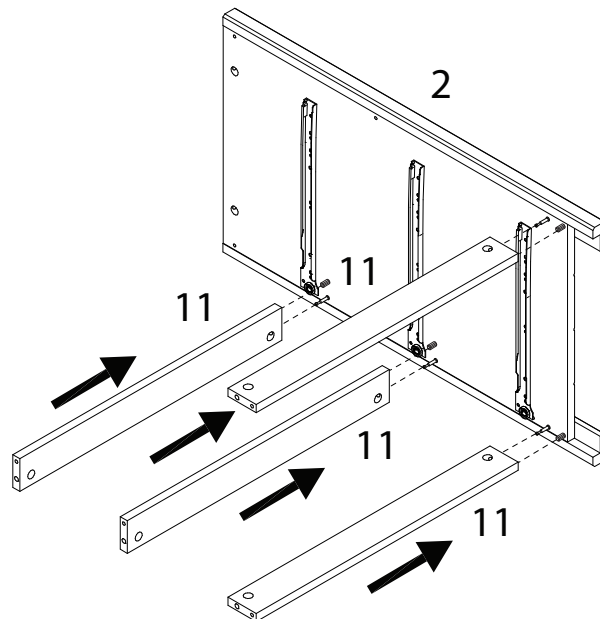
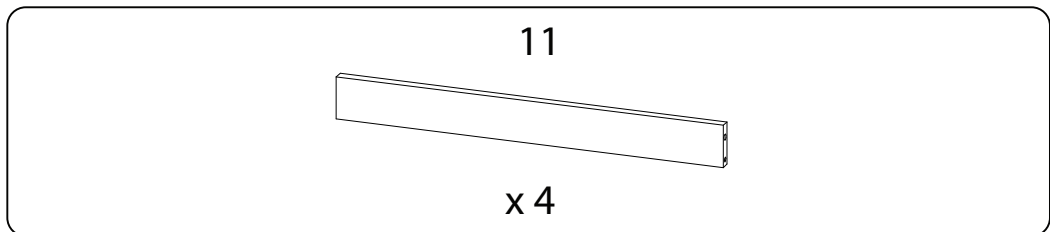
6



7



8



9

AS

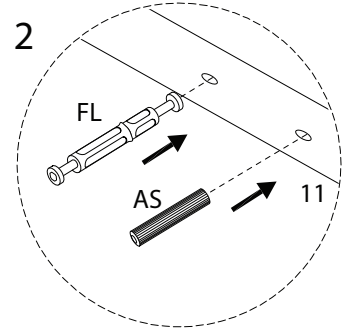
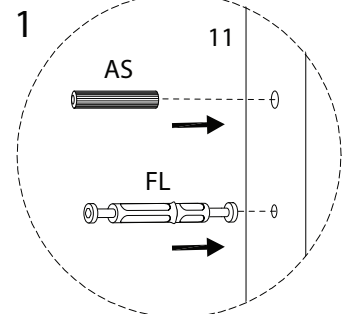
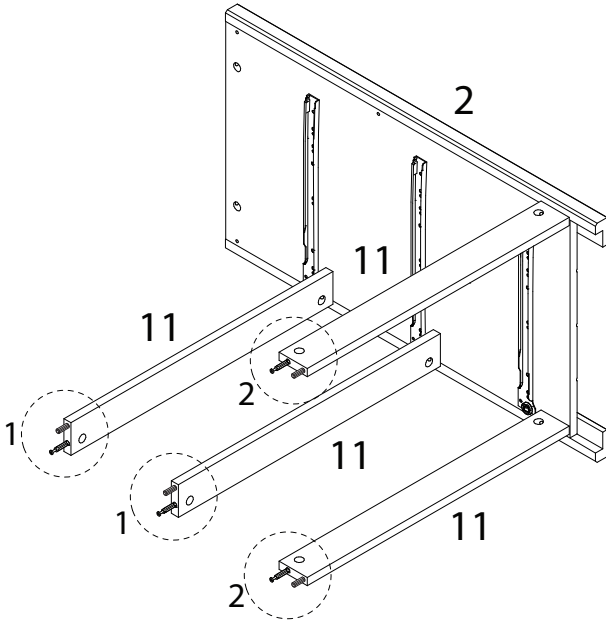


x 4

FL



x 4

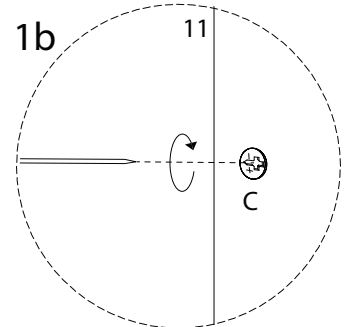
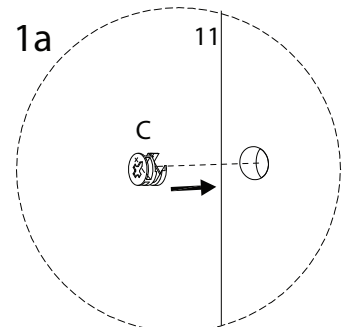
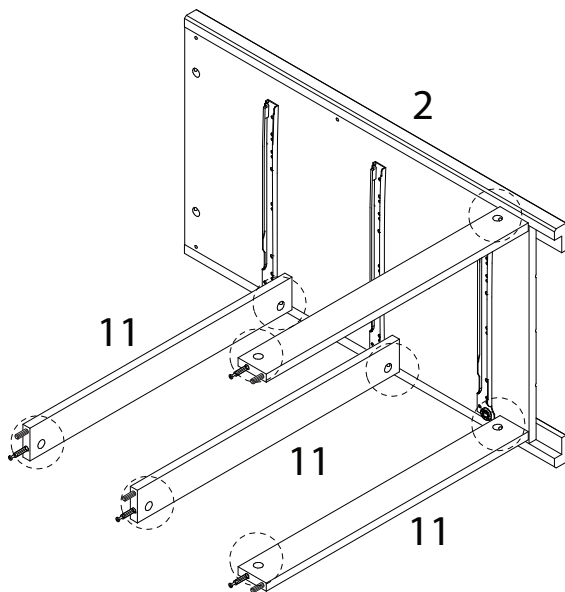


10

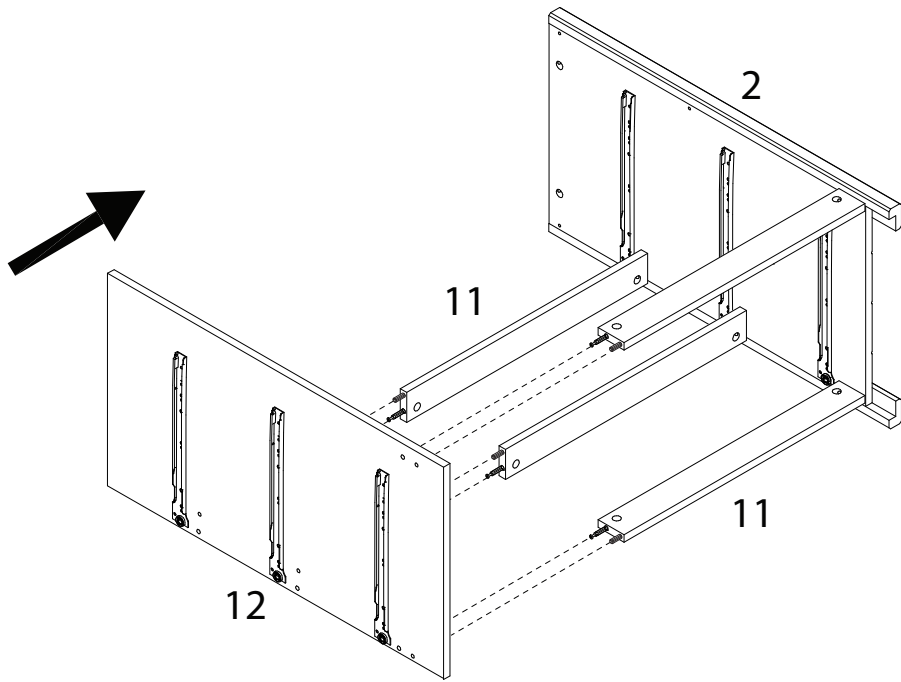
C



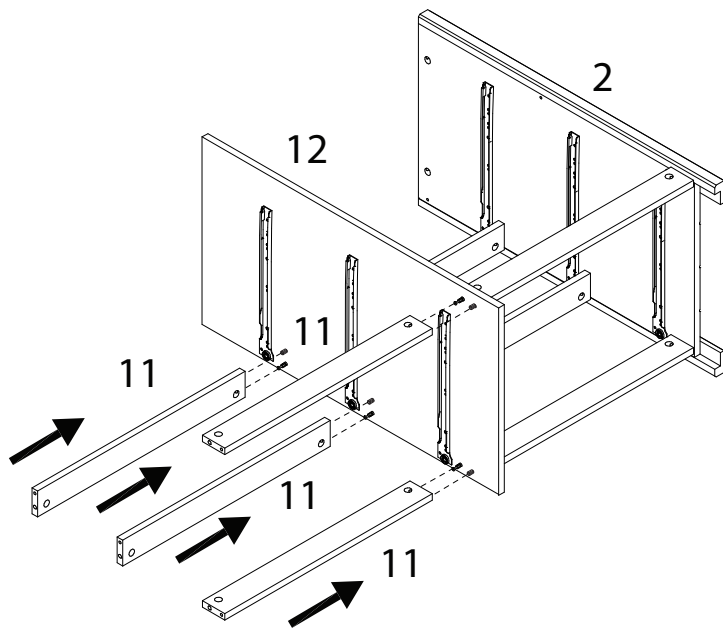
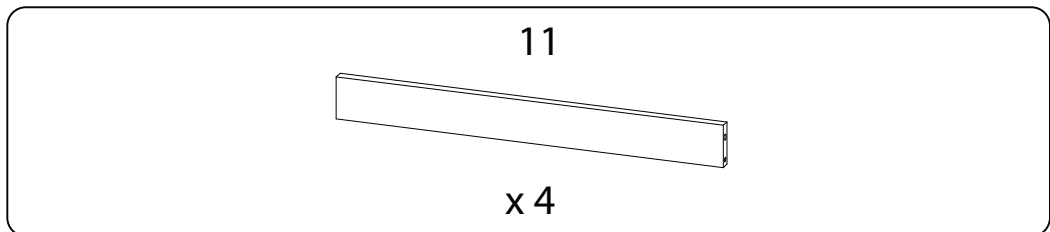
x 8



11



12

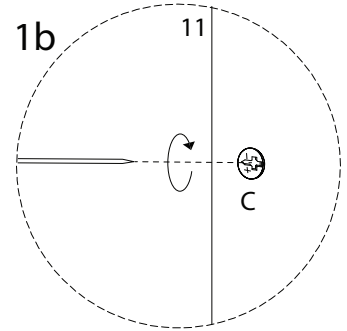
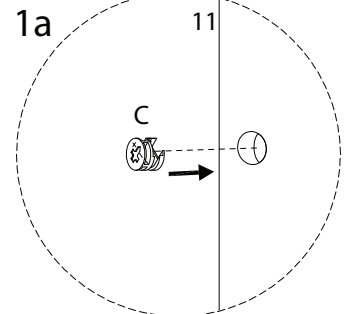
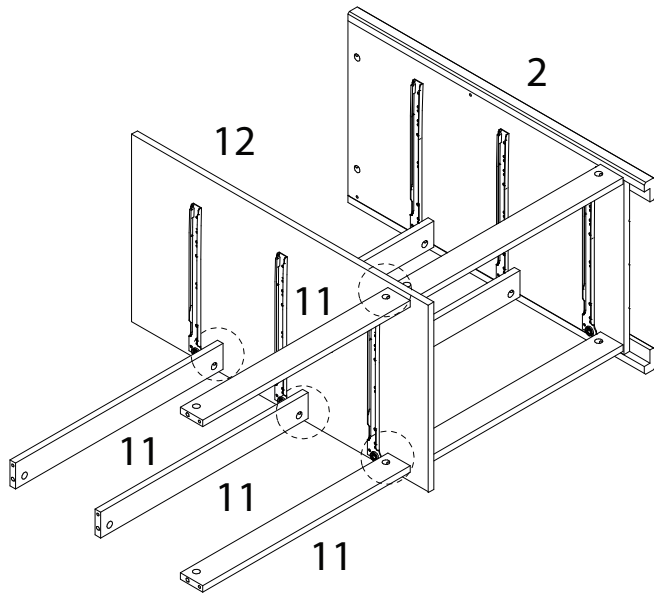


13

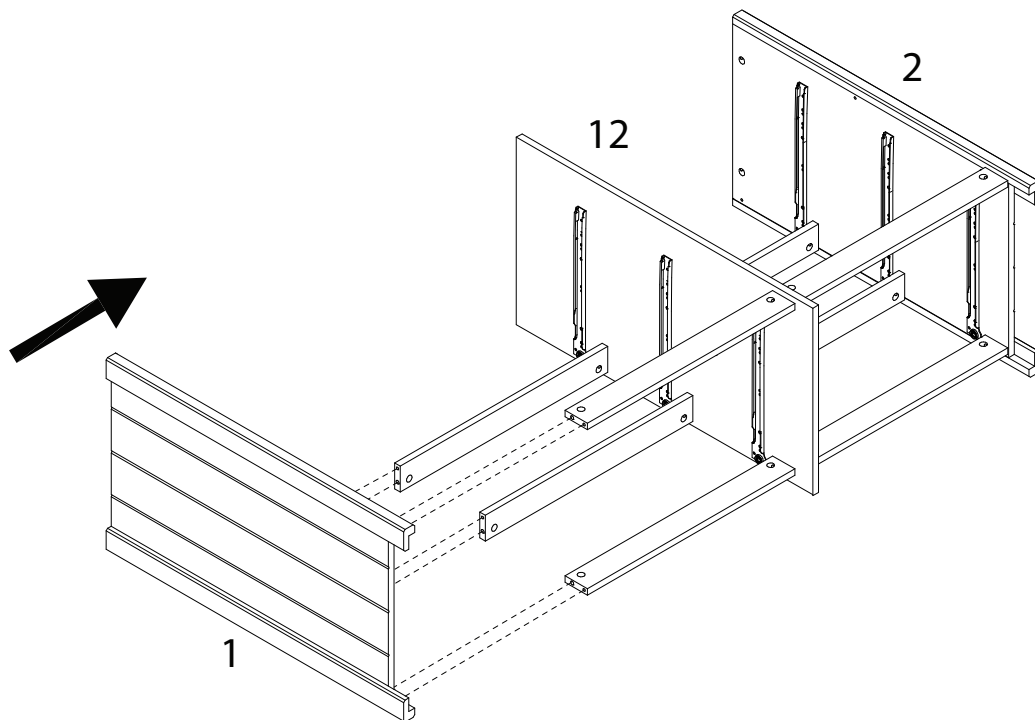
C



x 4



14

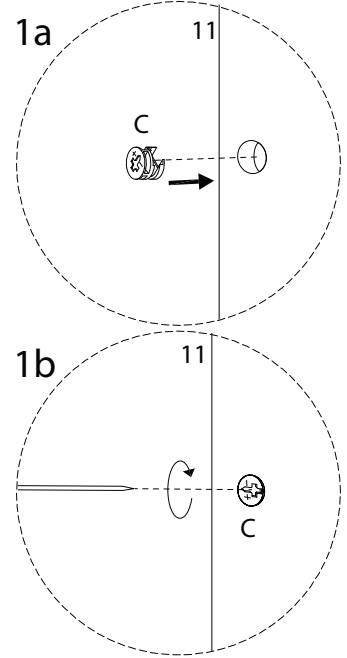
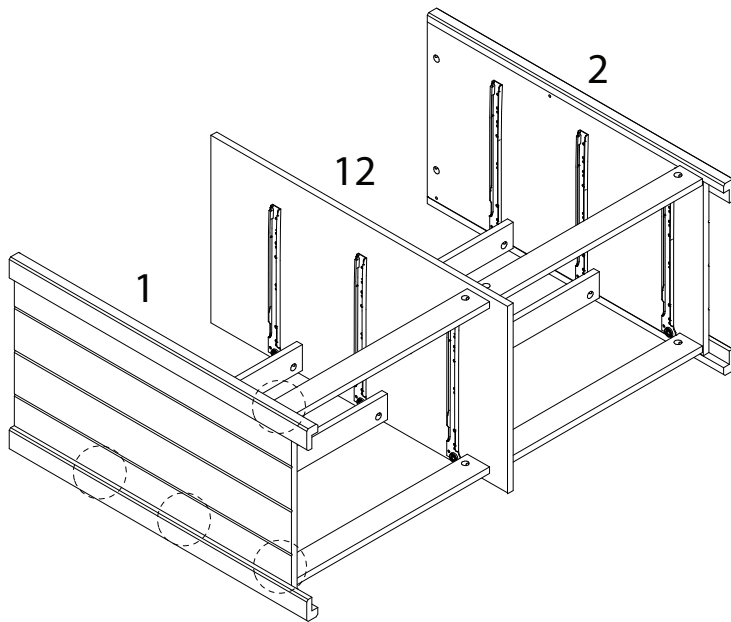


15

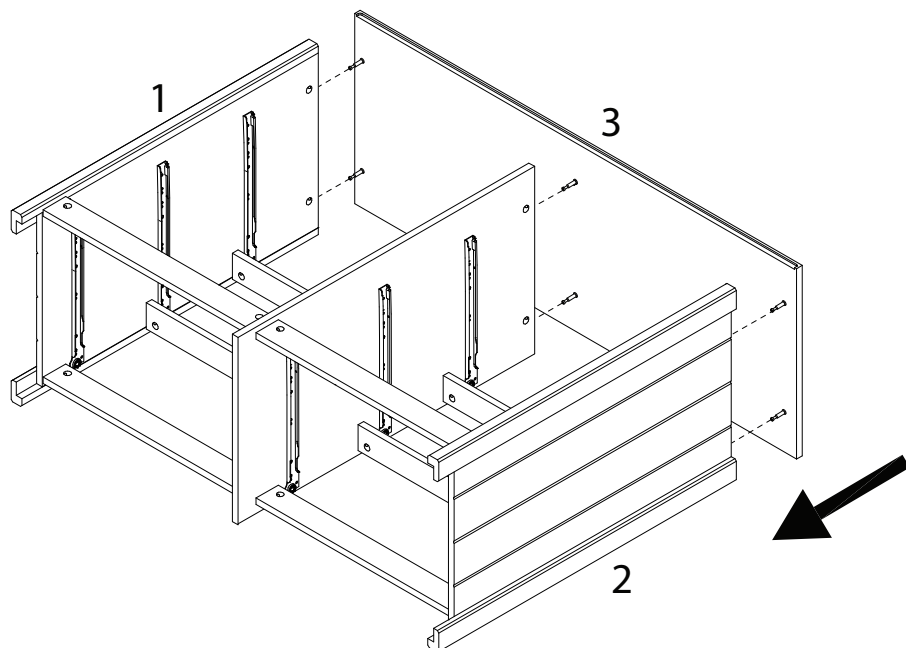
C



x 4



16

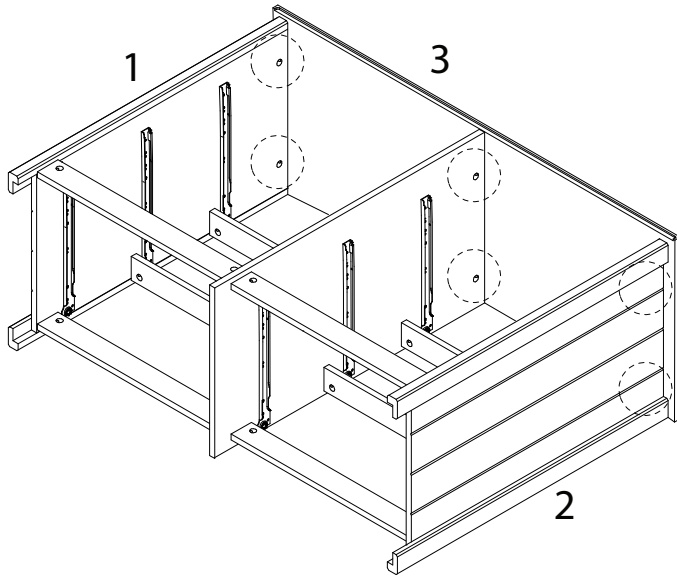


17

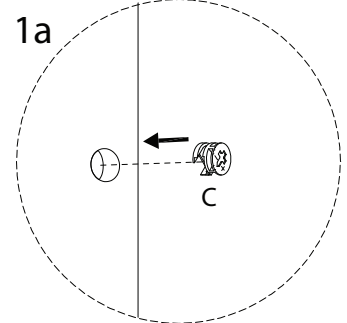
C



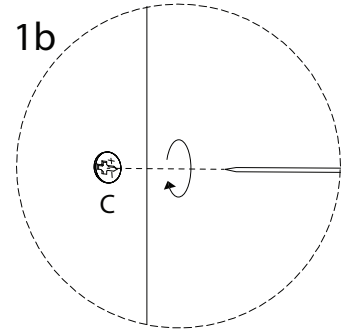
x 6



1a

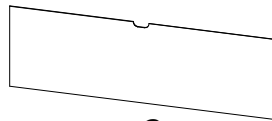


1b



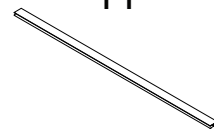
18

4

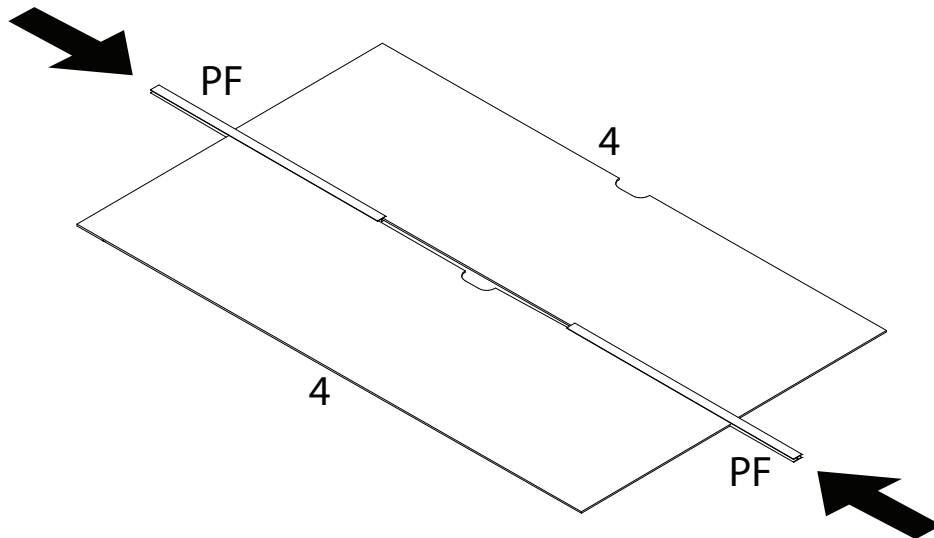


x 2

PF

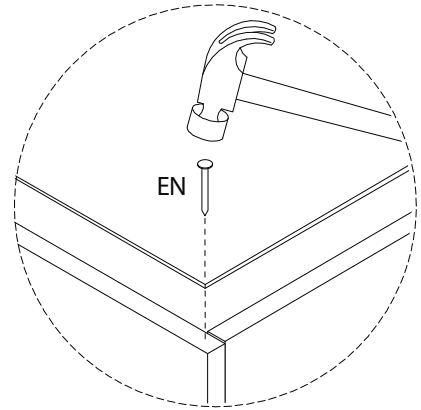
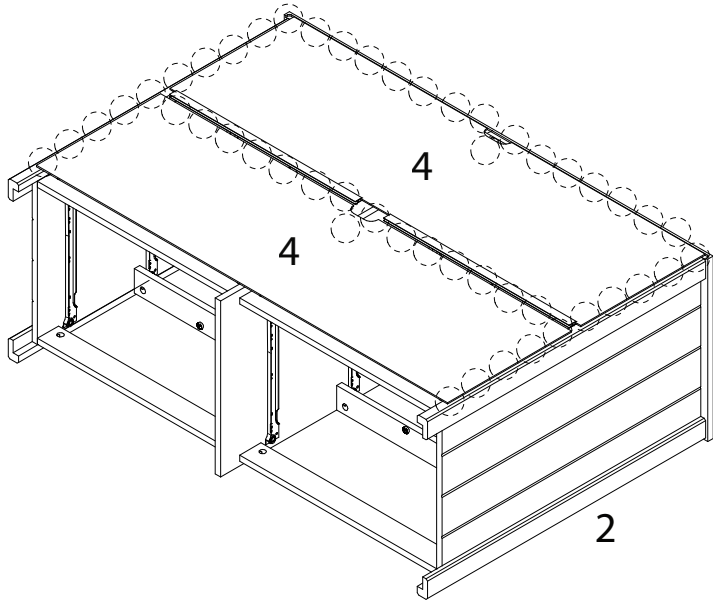
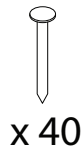


x 2



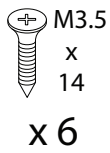
19

EN

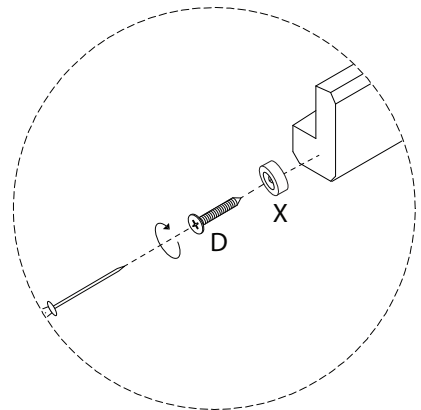
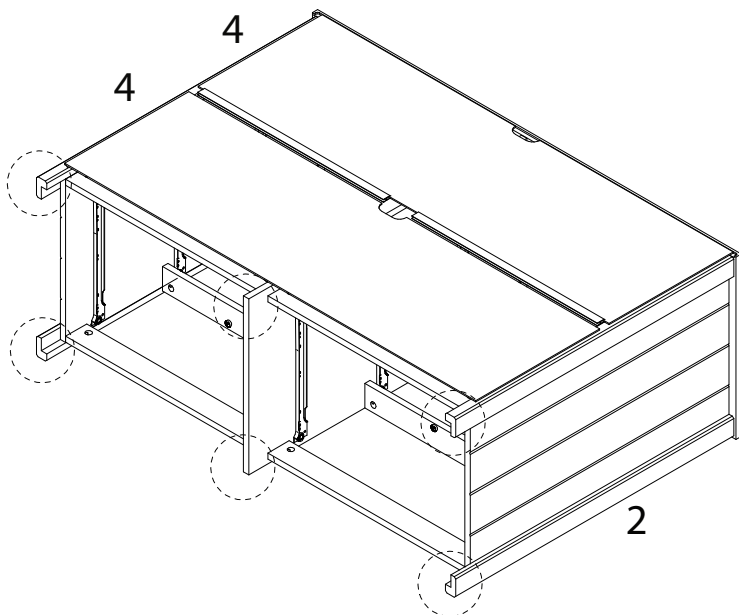


20

D



X

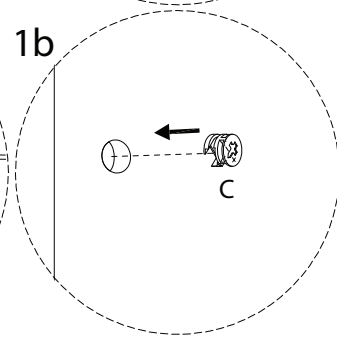
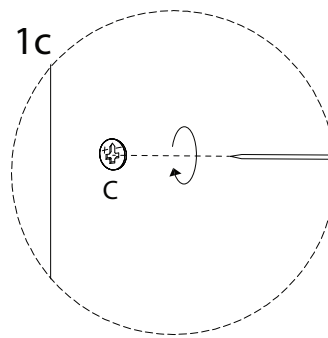
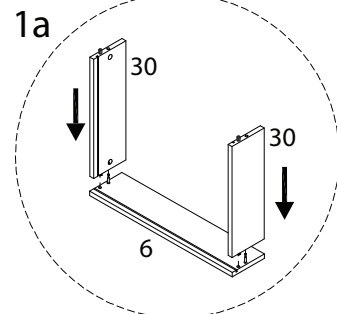
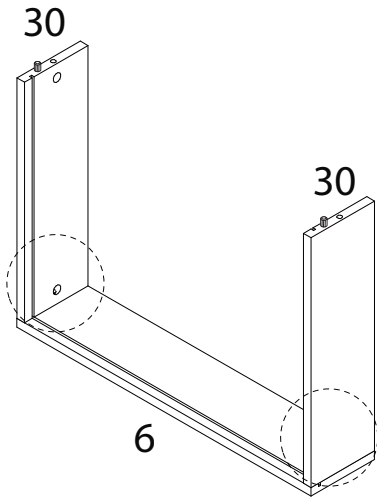


21 x 6

C

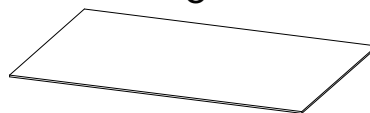


x 2

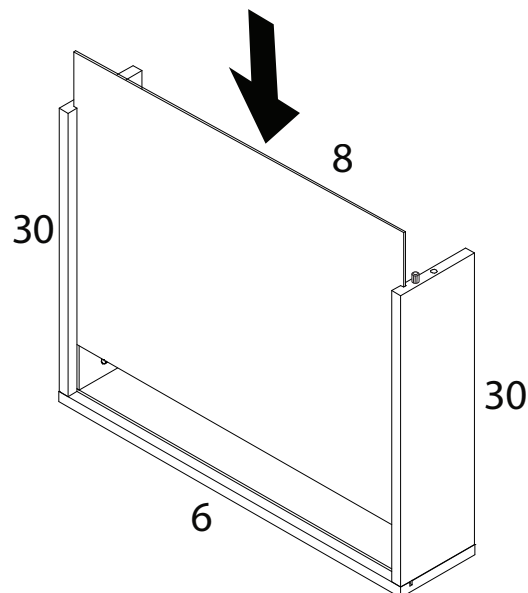


22 x 6

8



x 1

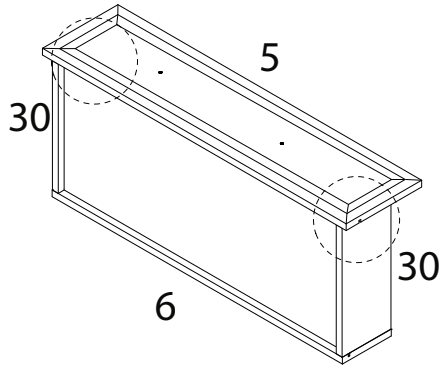


23 x 6

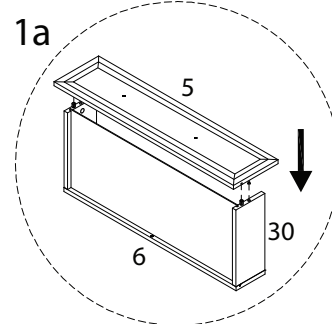
C



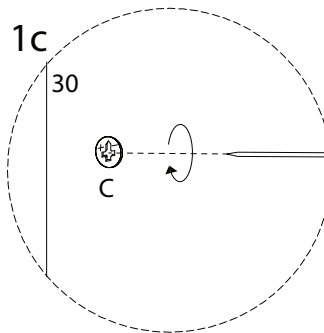
x 2



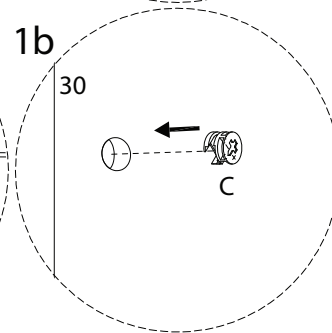
1a



1c



1b



24 x 6

FB

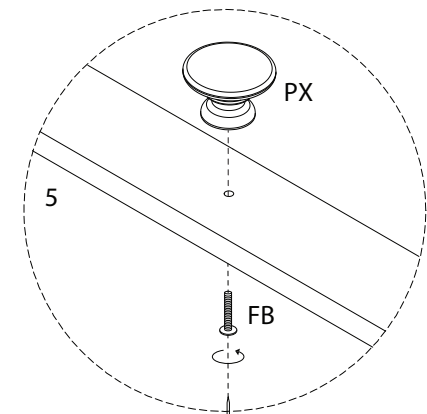
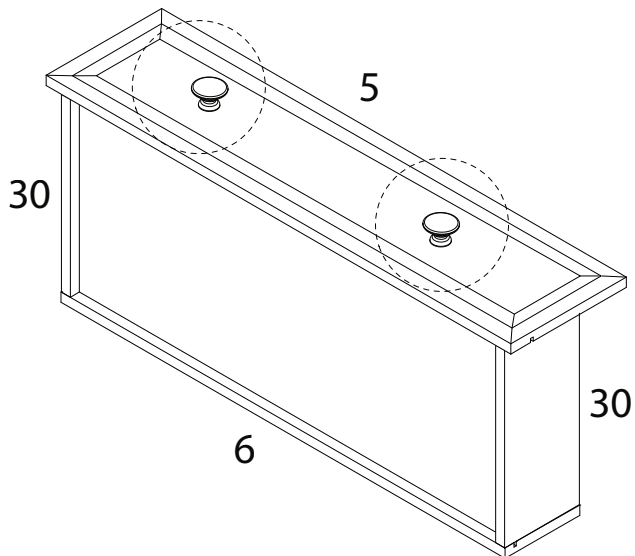


x 2

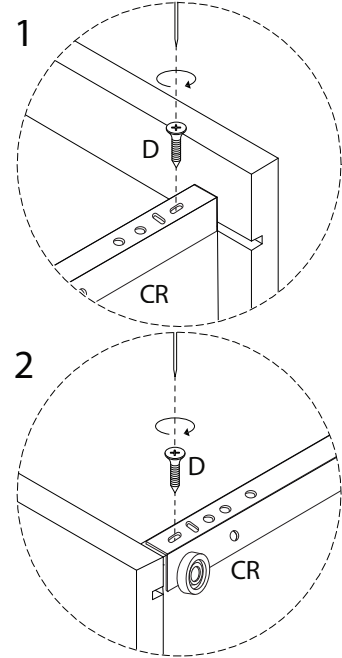
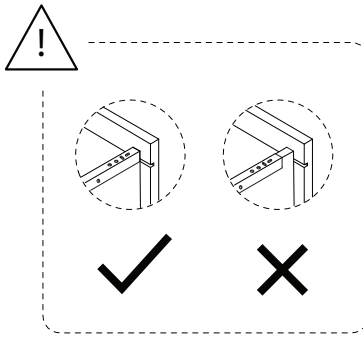
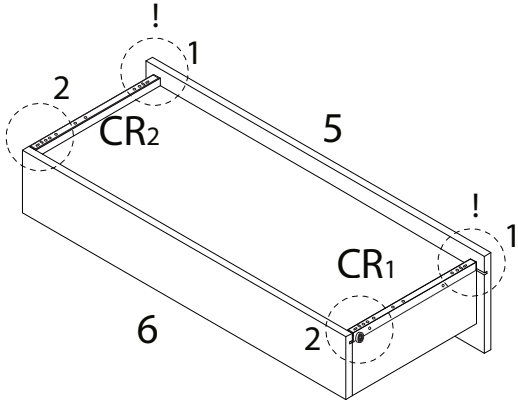
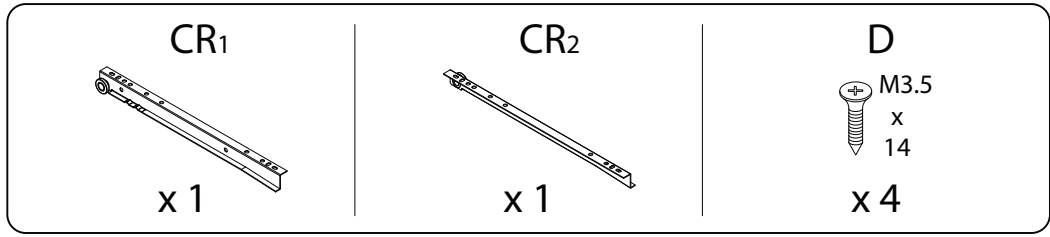
PX



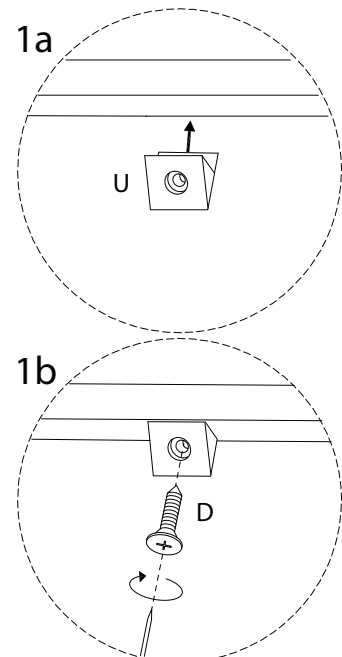
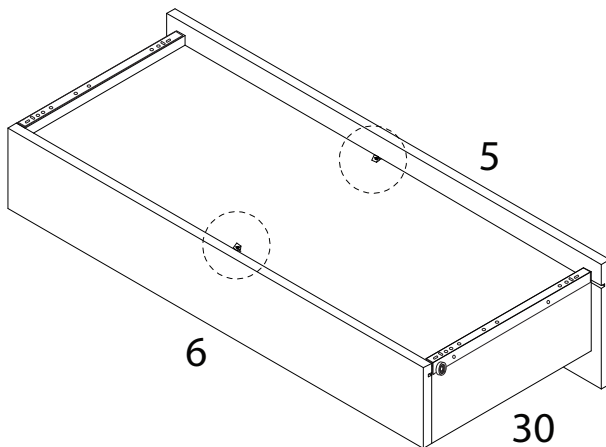
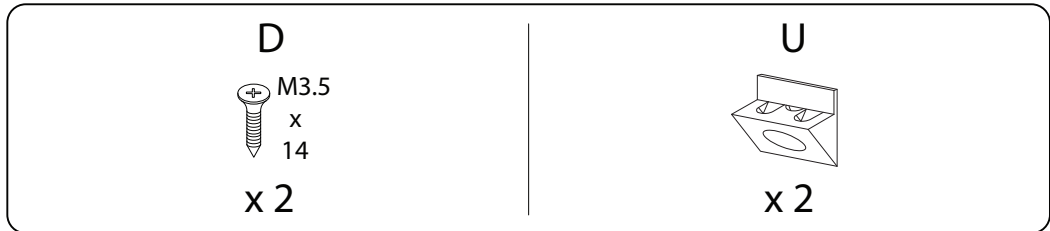
x 2



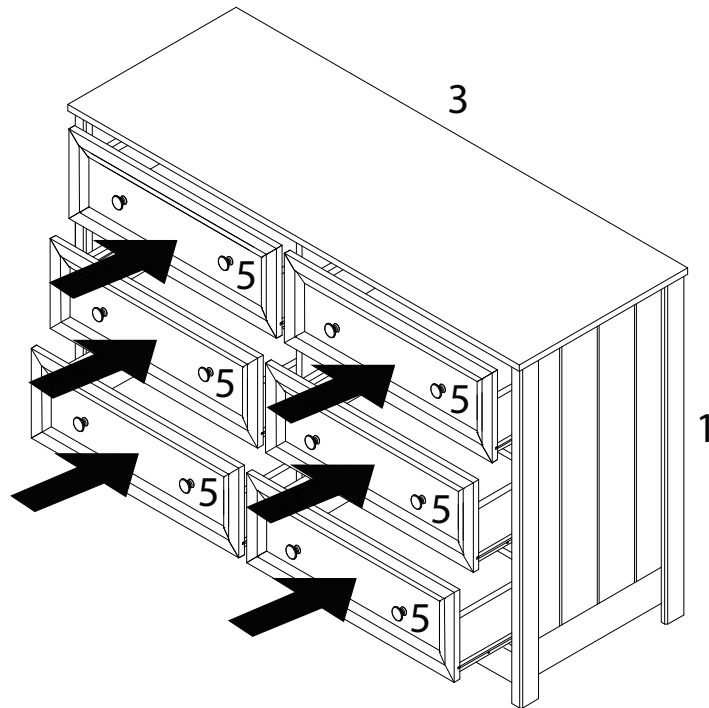
25 x 6



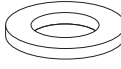


26 x 6



27



26

Z1 M4 x 13 x 1	Z2 M6 x 35 x 1	Z3  x 2	Z4  x 1	Z5  x 1
-------------------------	-------------------------	--	--	--

