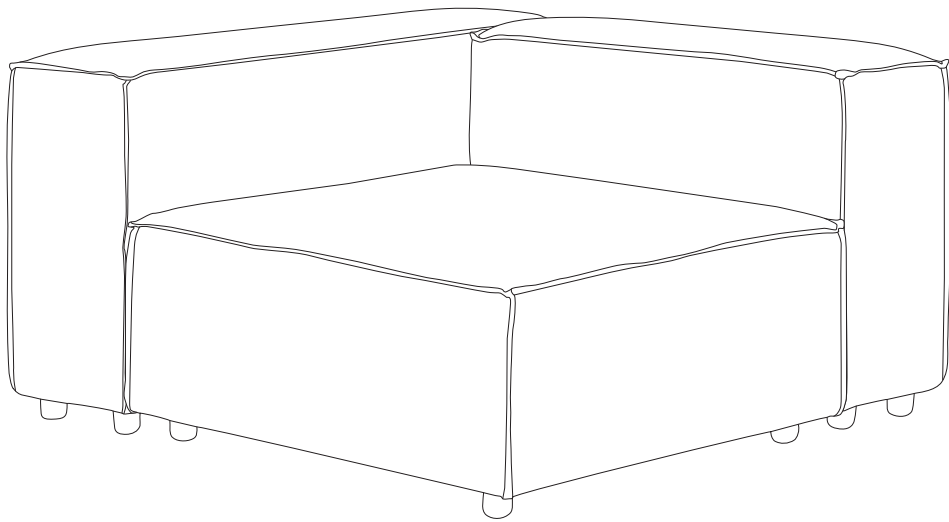


# ARDAL



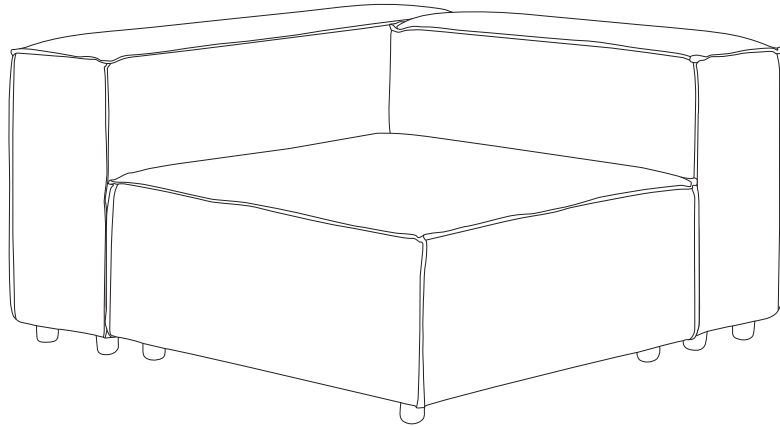
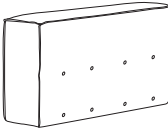
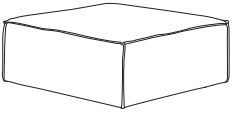
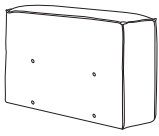
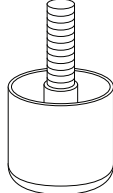
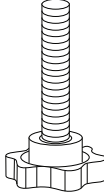
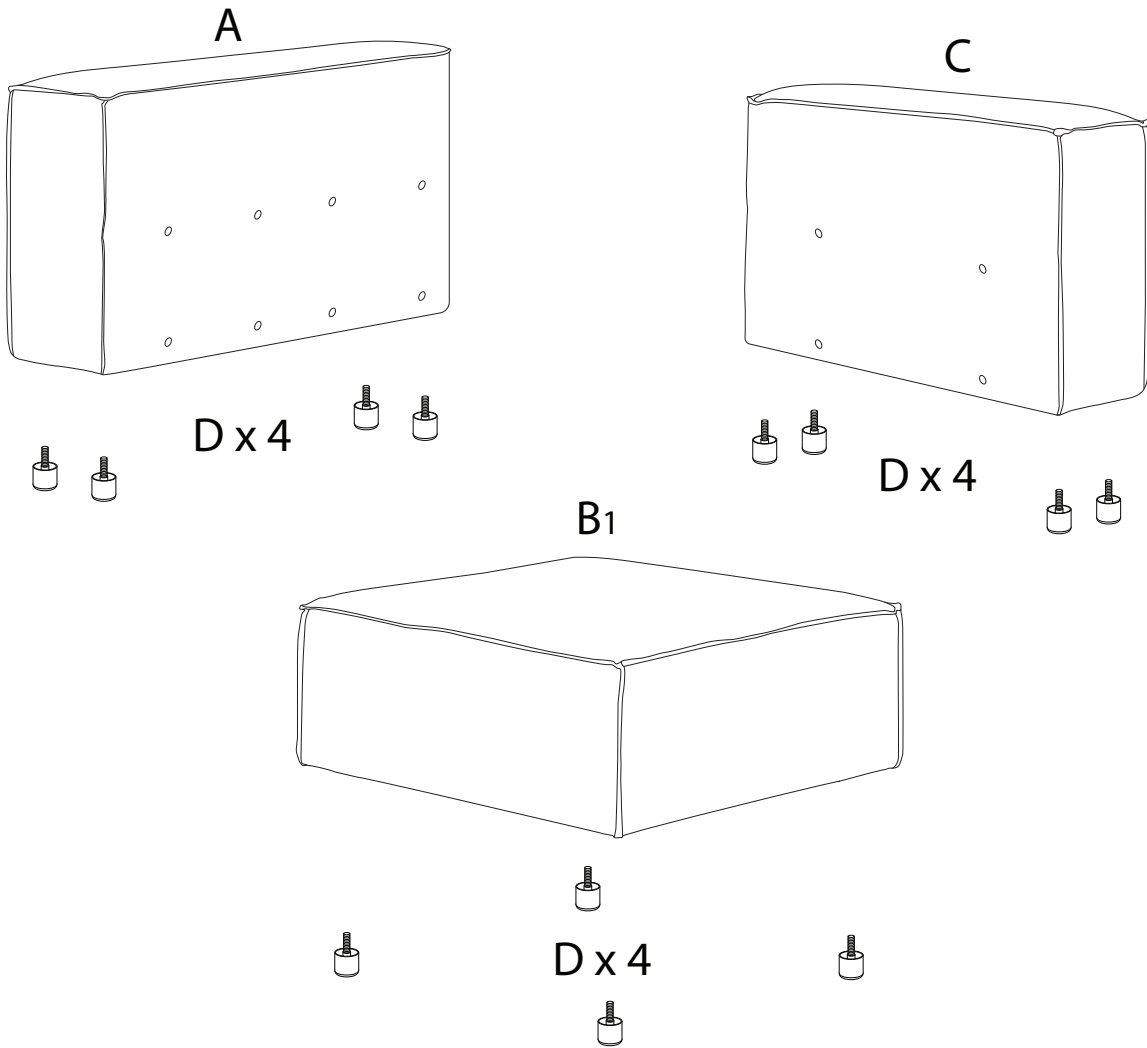
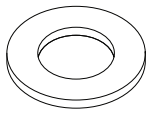
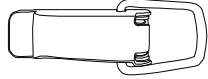
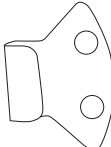
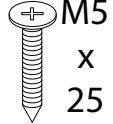
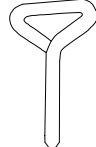


Diagram illustrating assembly instructions and safety warnings:

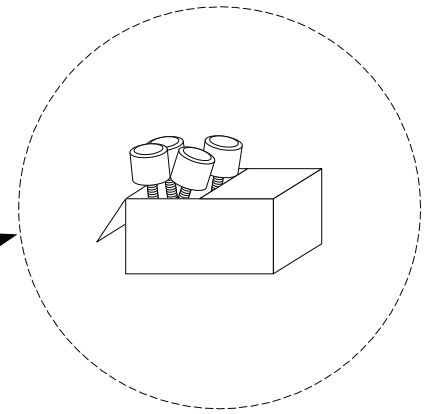
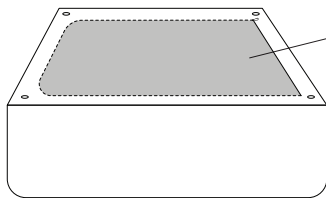
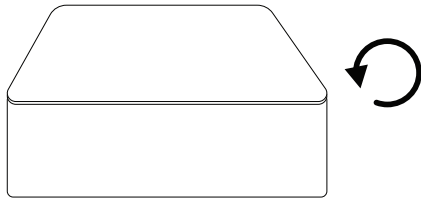
- Warning 1:** A triangle with an exclamation mark points to a box containing a key icon and a crossed-out power drill icon, indicating that a power drill should not be used.
- Warning 2:** A triangle with an exclamation mark points to a box containing an icon of a block on a mat and a crossed-out icon of a block on a hard surface, indicating that the product should be placed on a soft surface.
- Time:** A clock icon is shown next to the text "35'", indicating an estimated assembly time of 35 minutes.
- Personnel:** An icon of a person is shown next to the number "2", indicating that two people are required for assembly.

<b>A</b>	<b>B<sub>1</sub></b>	<b>C</b>	<b>D</b>	<b>E</b>
				
<b>x 1</b>	<b>x 1</b>	<b>x 1</b>	<b>x 12</b>	<b>x 8</b>

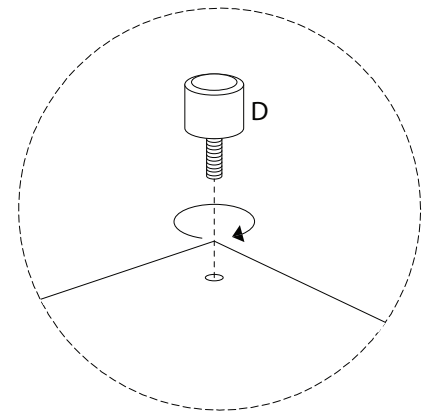
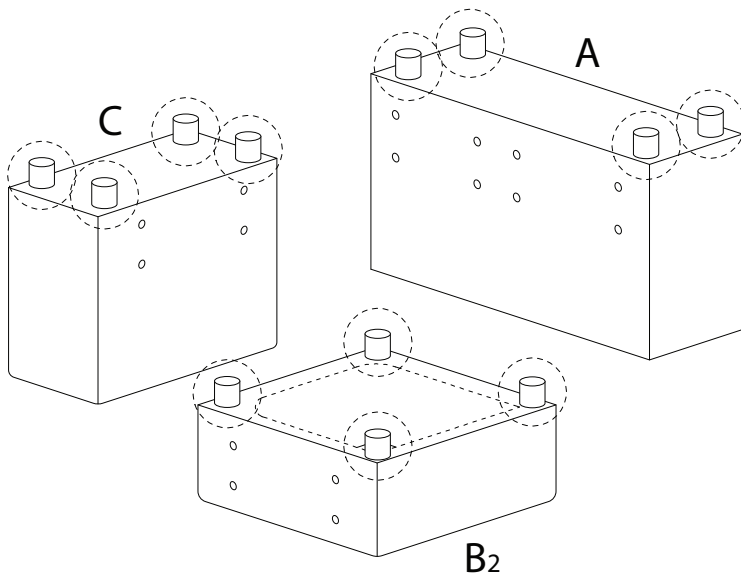
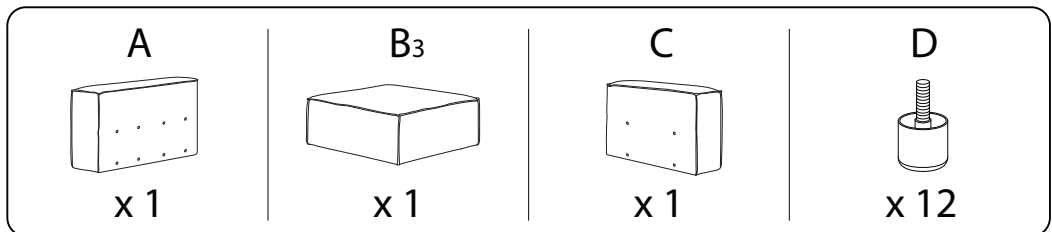


<b>F</b>	<b>G<sub>1</sub></b>	<b>G<sub>2</sub></b>	<b>H</b>	<b>I</b>
				
<b>x 8</b>	<b>x 2</b>	<b>x 2</b>	<b>x 8</b>	<b>x 1</b>

!



1



2R

E

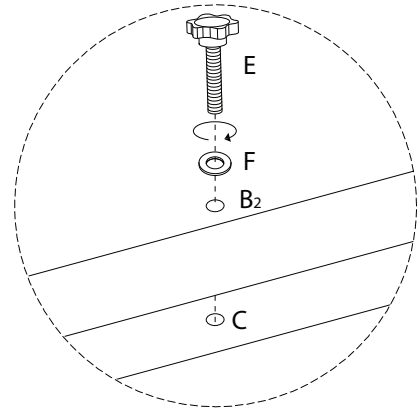
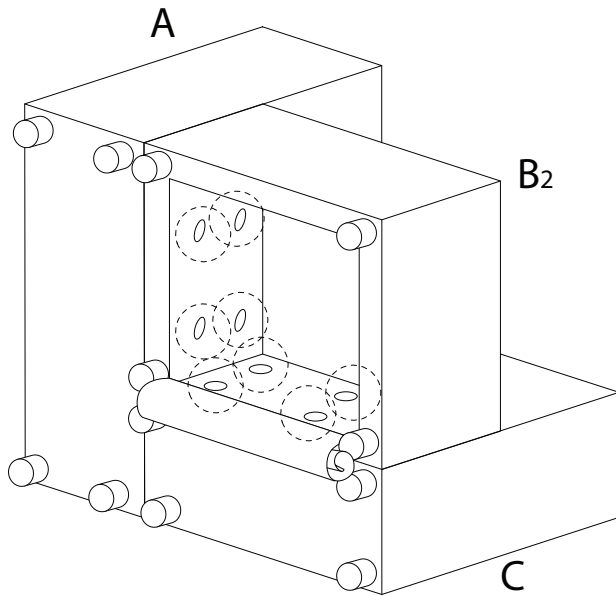


x 4

F



x 4



2L

E

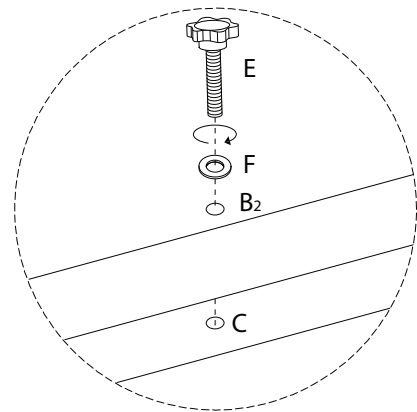
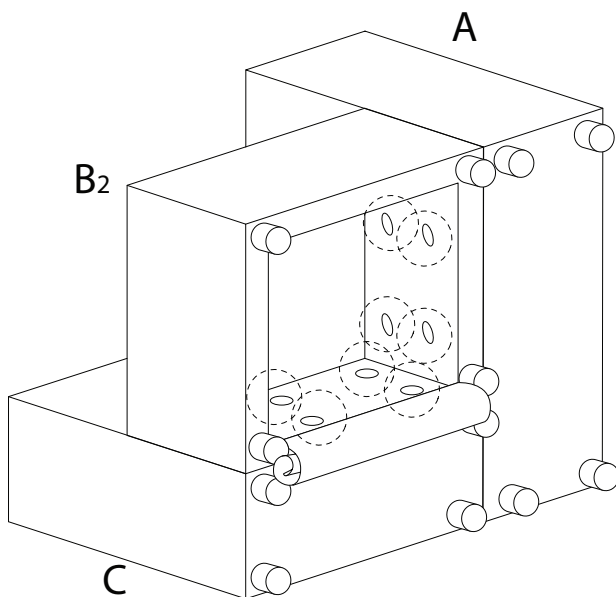


x 4

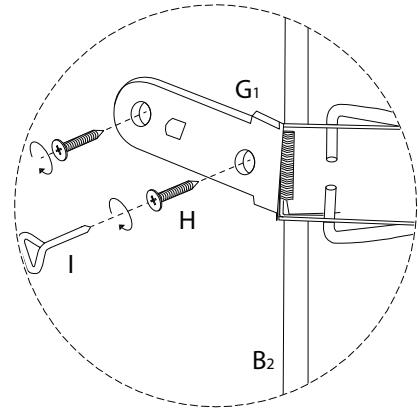
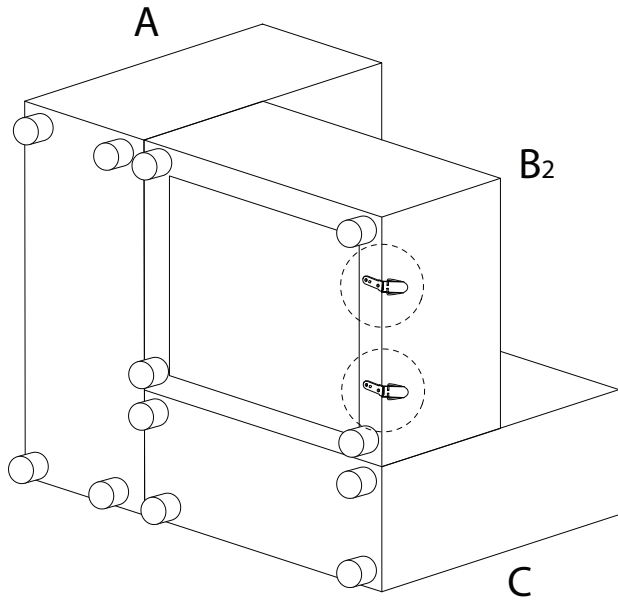
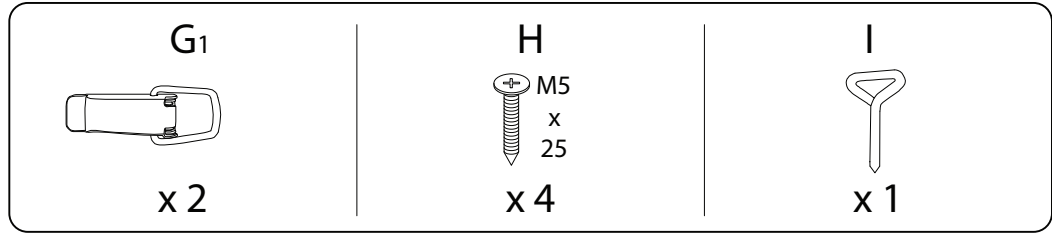
F



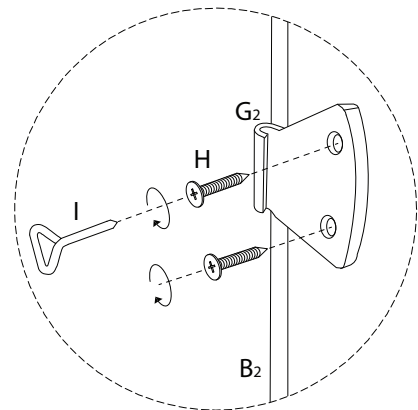
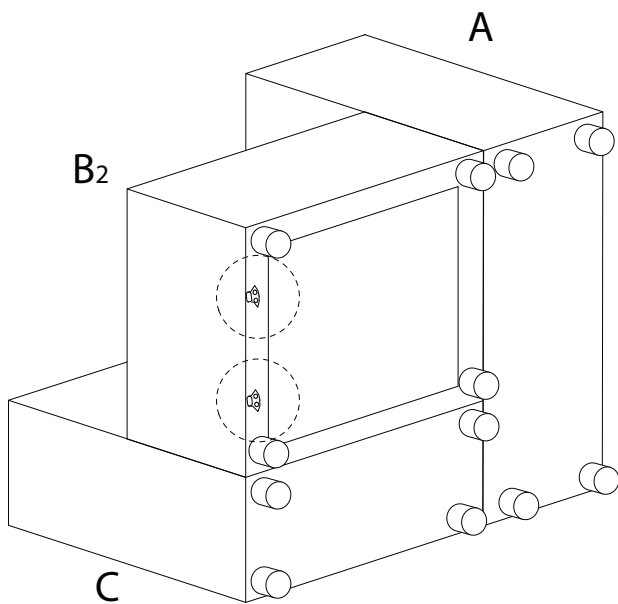
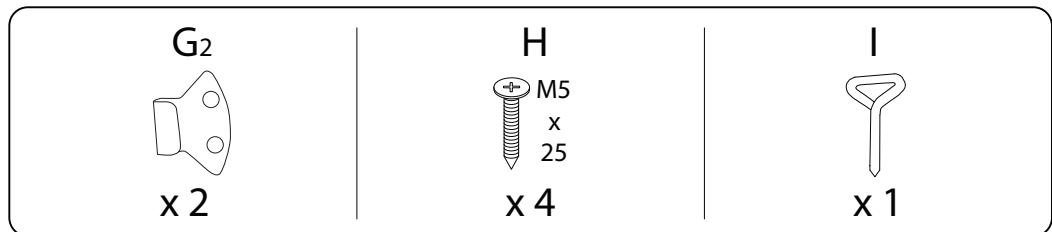
x 4



3R



3L



!

