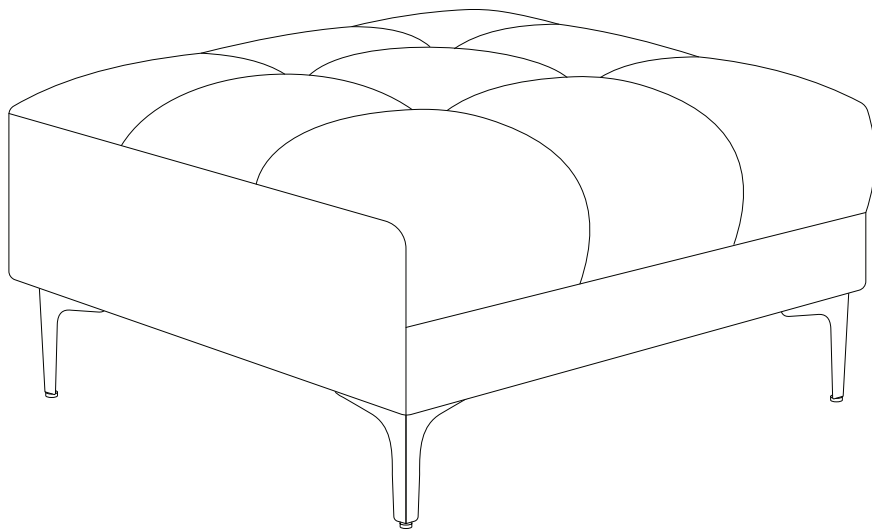
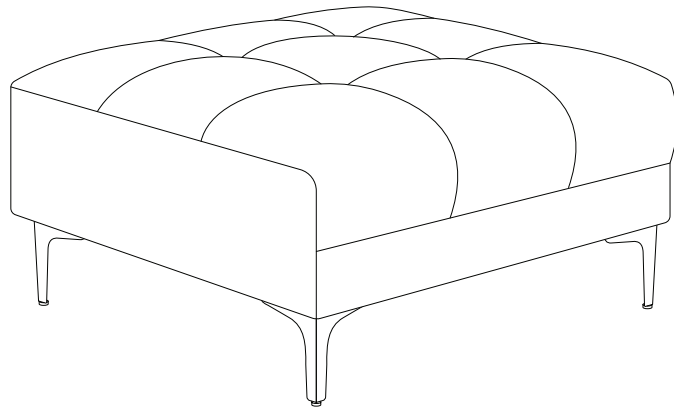
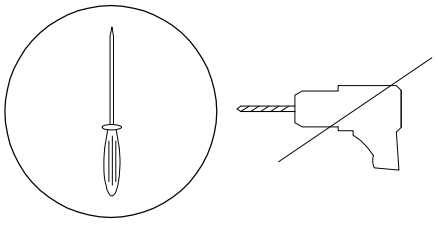

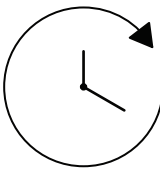
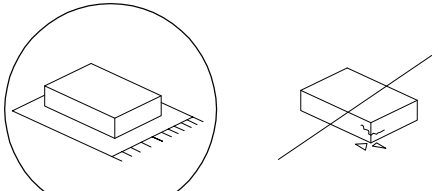
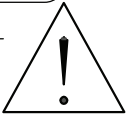

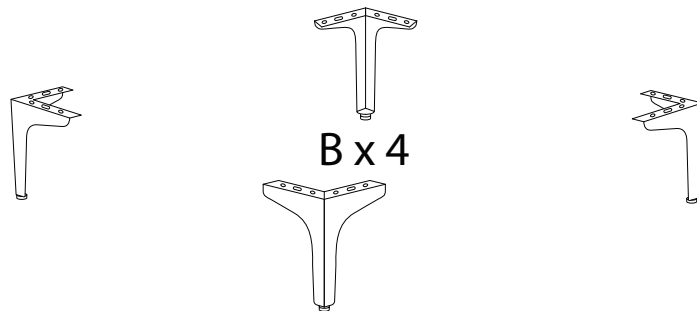
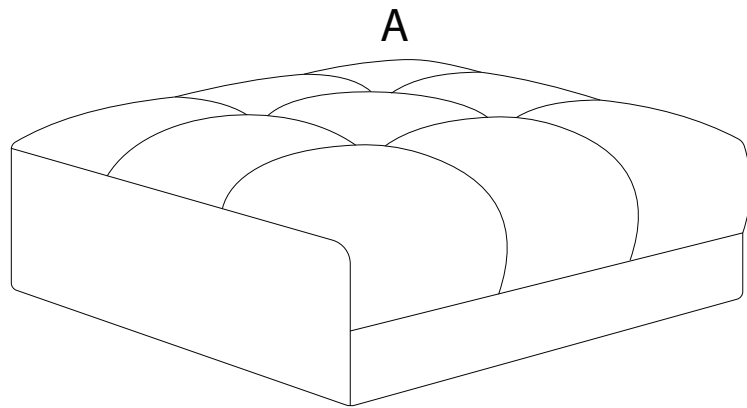


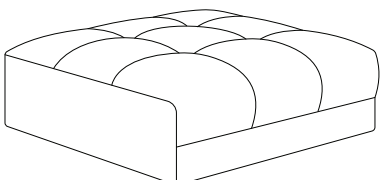
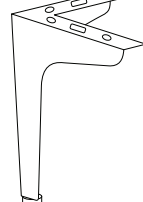
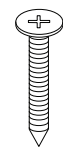
ALNES



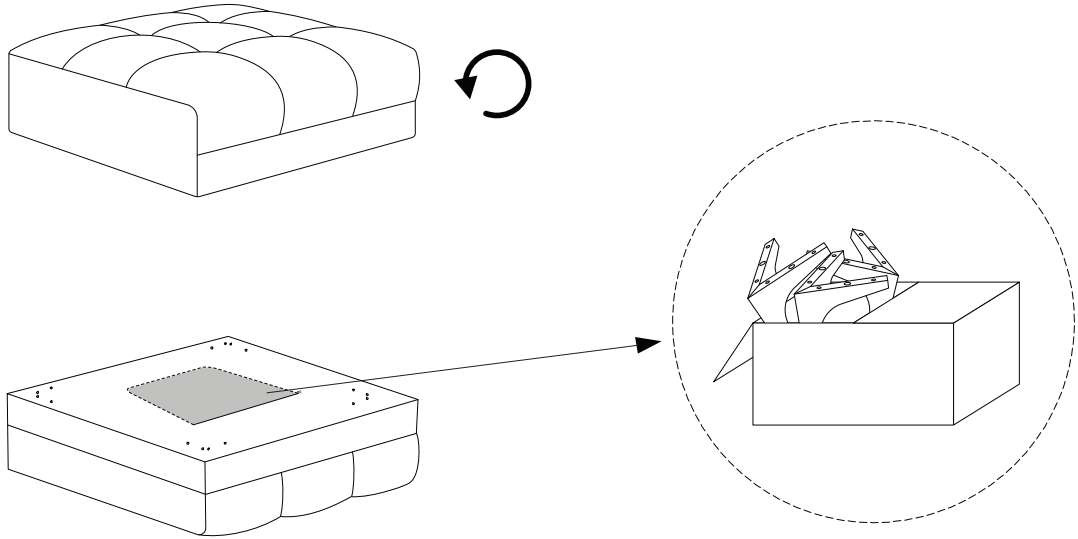


		
		10'
		
		1



A	B	C
		
x 1	x 4	x 16

!



1

