

Ax1



Bx1



Cx4



Dx8



6x45MM

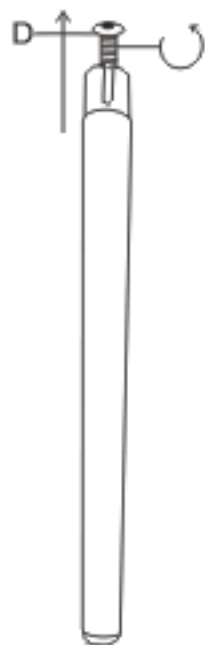
Ex4



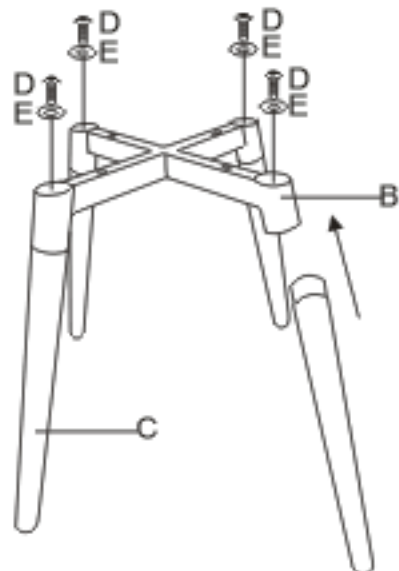
Fx1



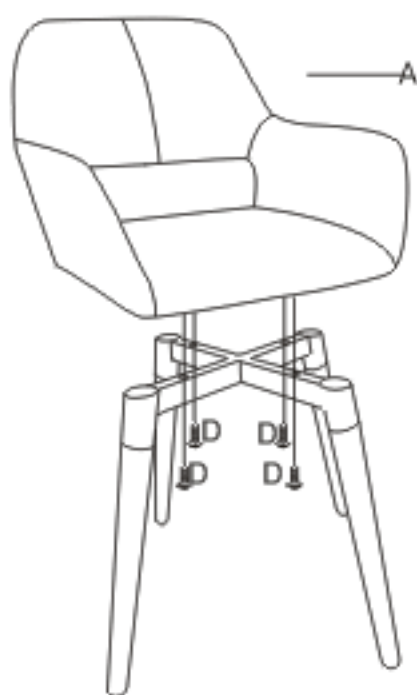
1



2



3



4

