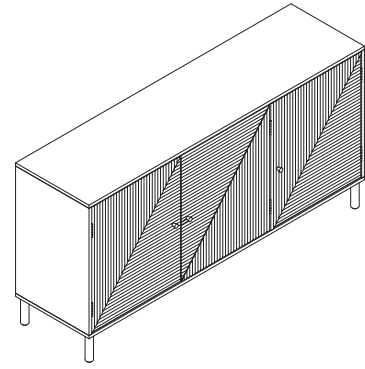
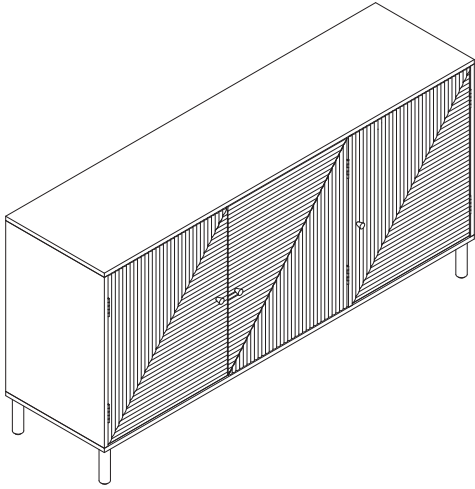
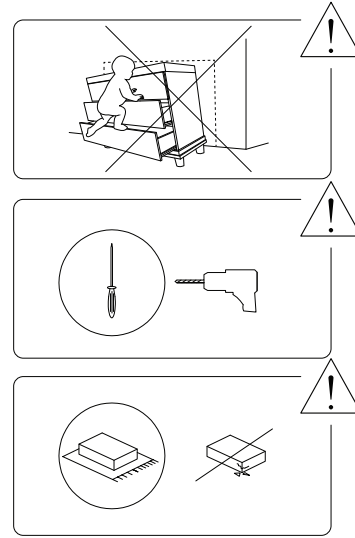


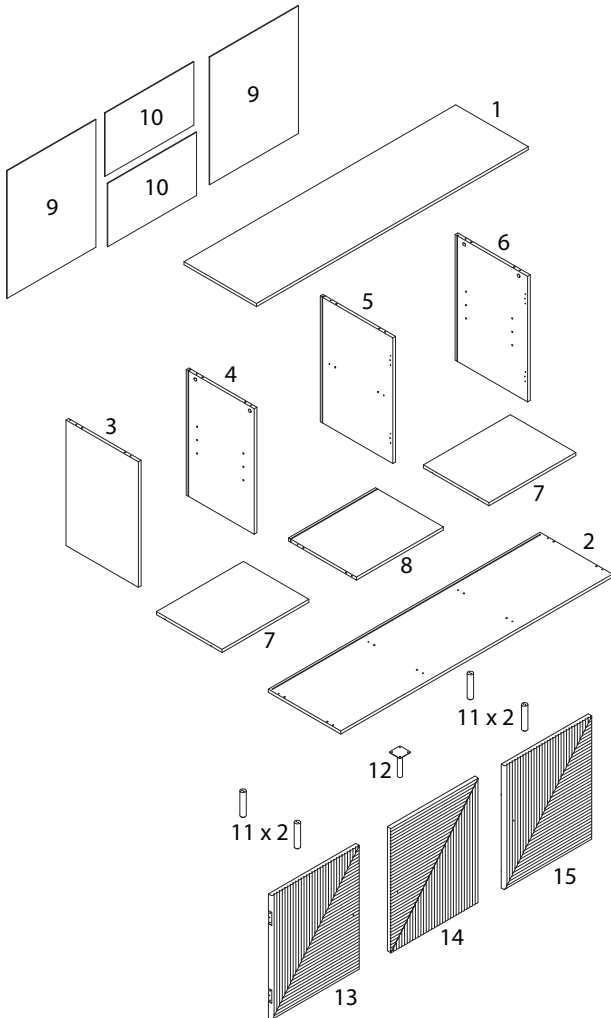
# RONGE



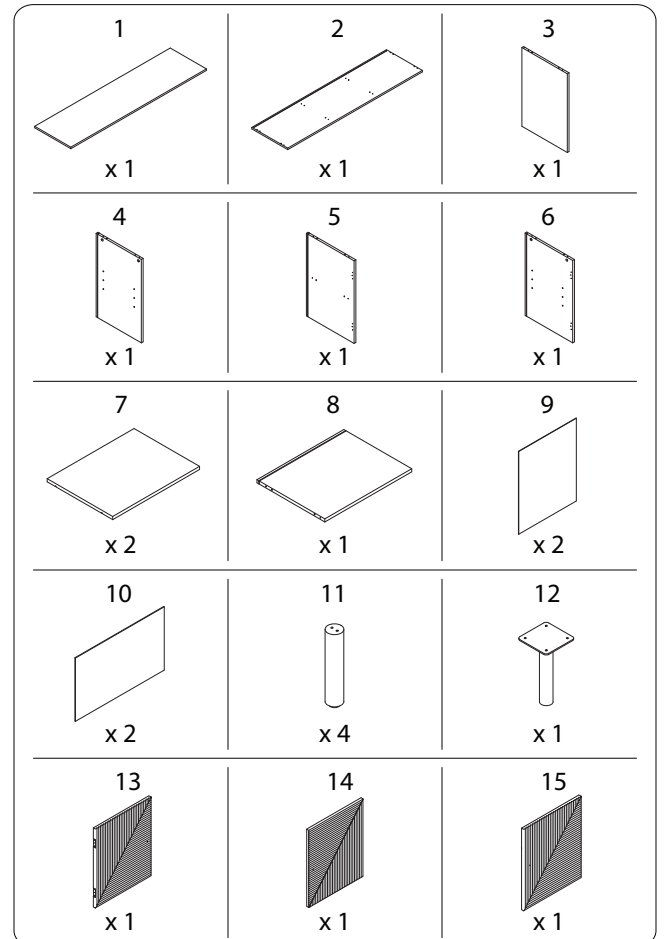
1/14






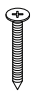


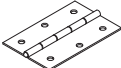



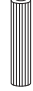







2/14



3/14

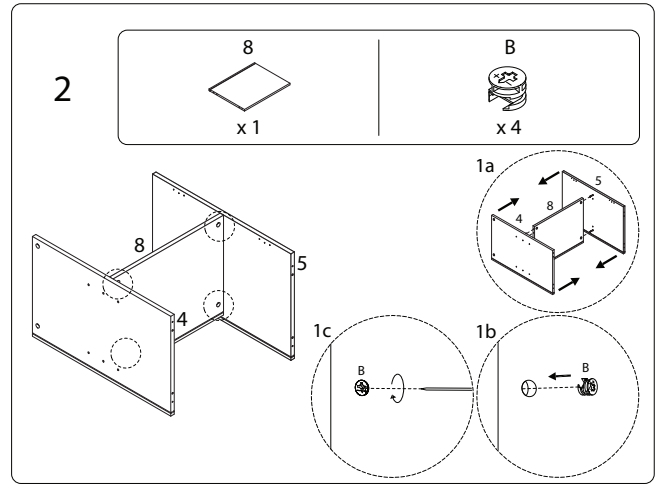
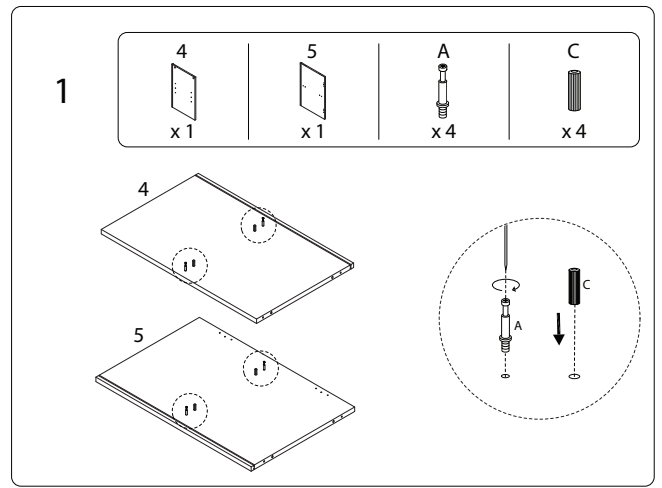


4/14

<b>A</b>  x 12	<b>B</b>  x 12	<b>C</b>  x 20	
<b>D</b>  M4 x 40 x 8	<b>E</b>  x 16	<b>F</b>  M3 x 16 x 16	
<b>G</b>  x 6	<b>H</b>  M4 x 14 x 36	<b>I</b>  x 3	<b>J</b>  M3 x 20 x 3
<b>K</b>  x 8	<b>L</b>  x 1	<b>M</b>  x 4	<b>N</b>  M4 x 25 x 8
<b>O</b>  M4 x 14 x 22	<b>P</b>  x 2	<b>Q</b>  M4 x 35 x 2	<b>R</b>  x 2

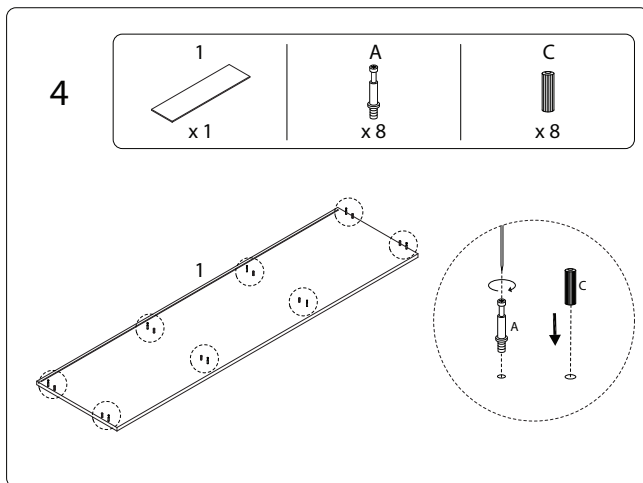
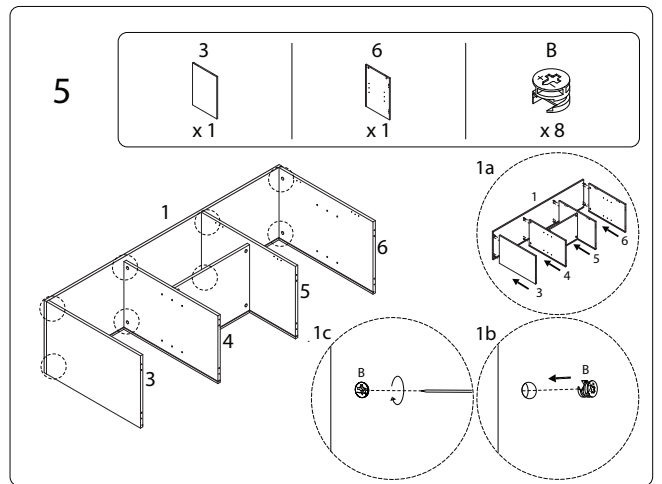
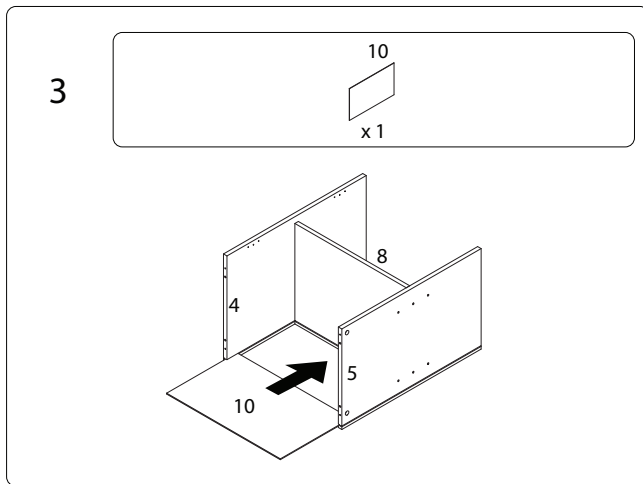
5/14

1363/RONGE/110326/



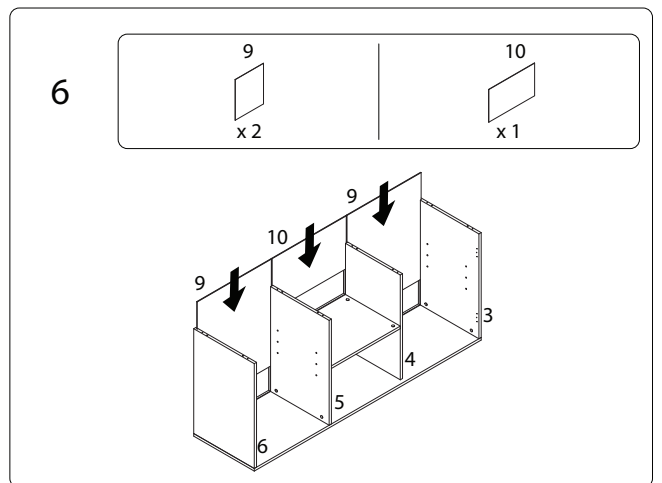
6/14

1363/RONGE/110326/



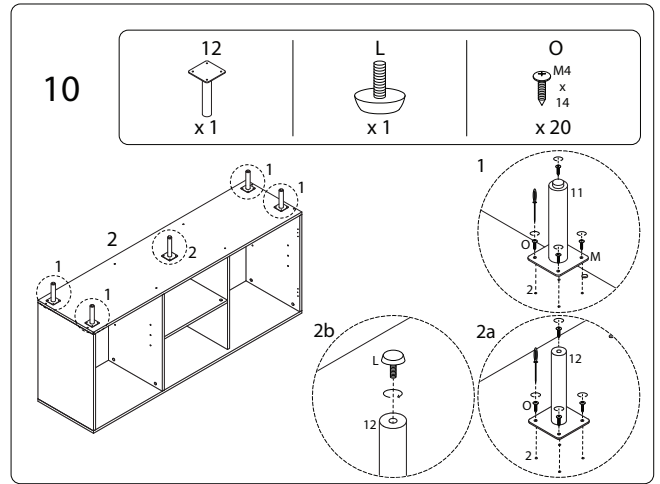
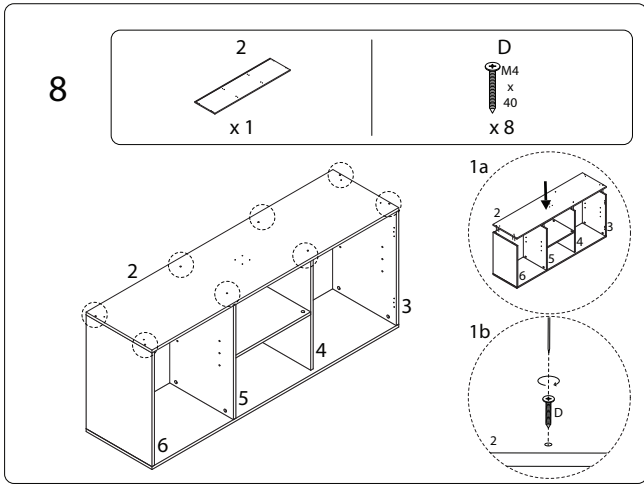
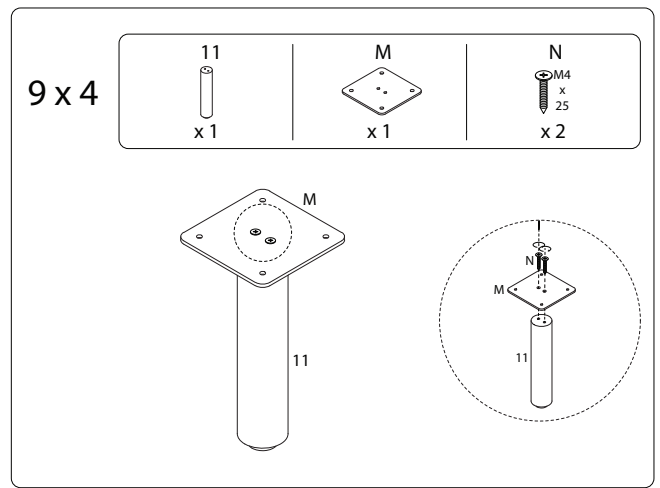
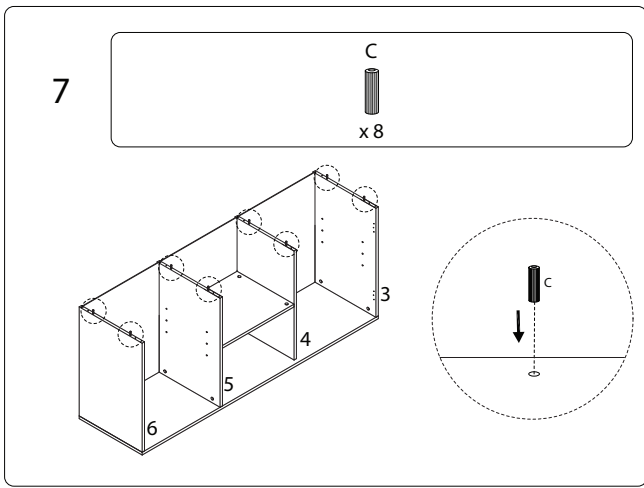
7/14

1363/RONGE/110326/



8/14

1363/RONGE/110326/

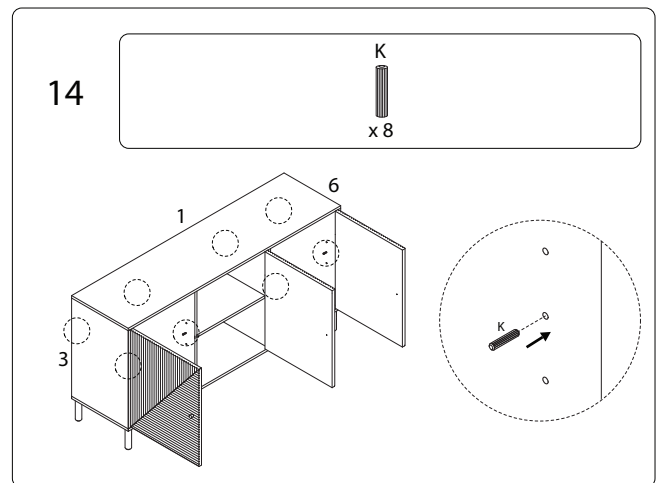
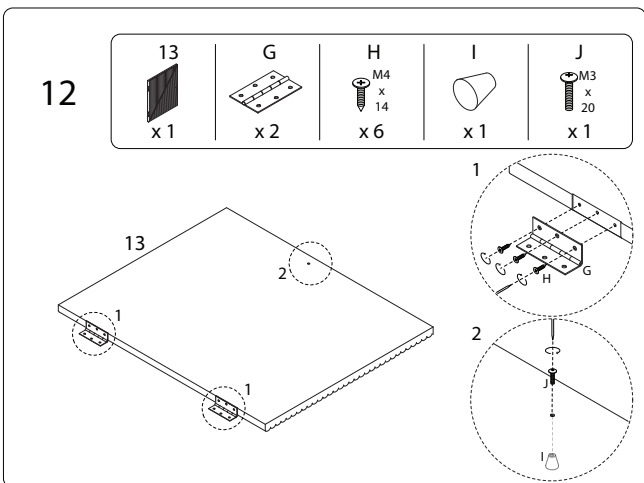
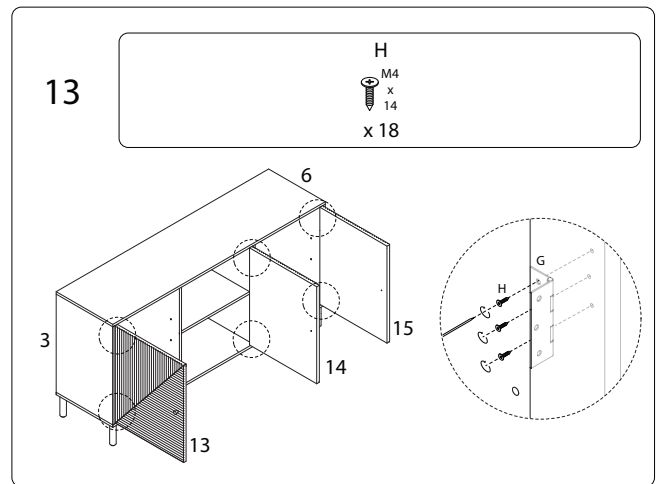
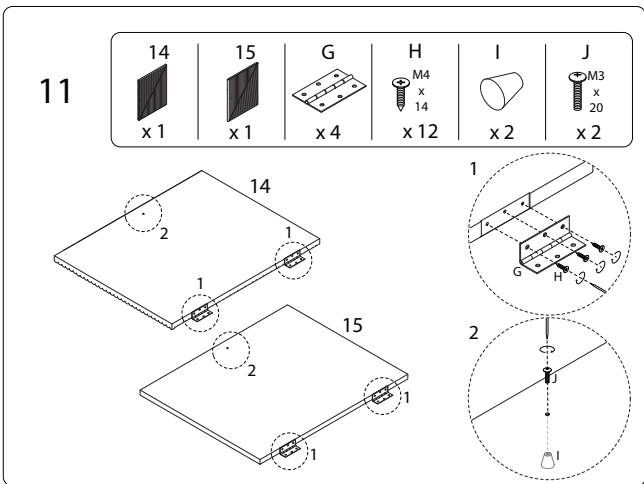


9/14

1363/RONGE/110326/

10/14

1363/RONGE/110326/



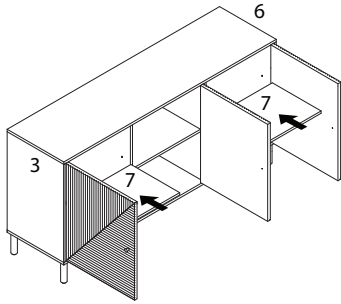
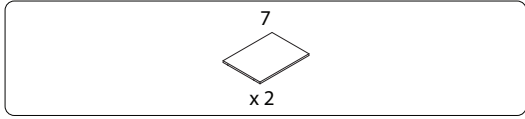
11/14

1363/RONGE/110326/

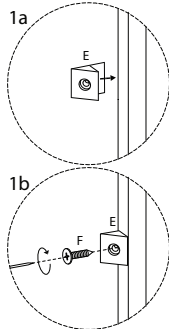
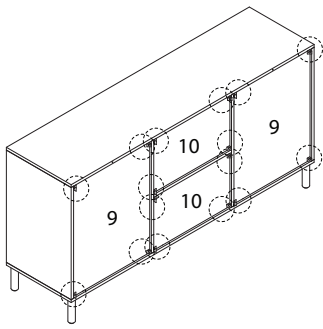
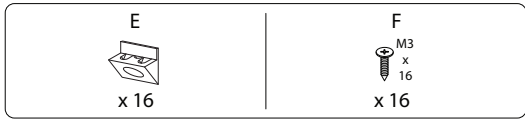
12/14

1363/RONGE/110326/

15



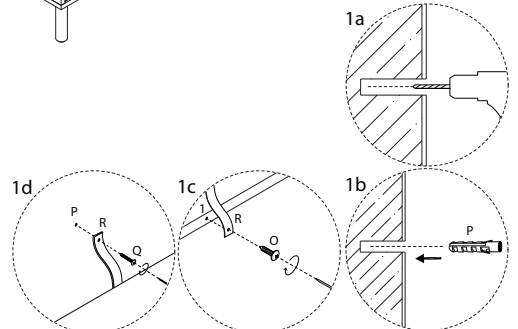
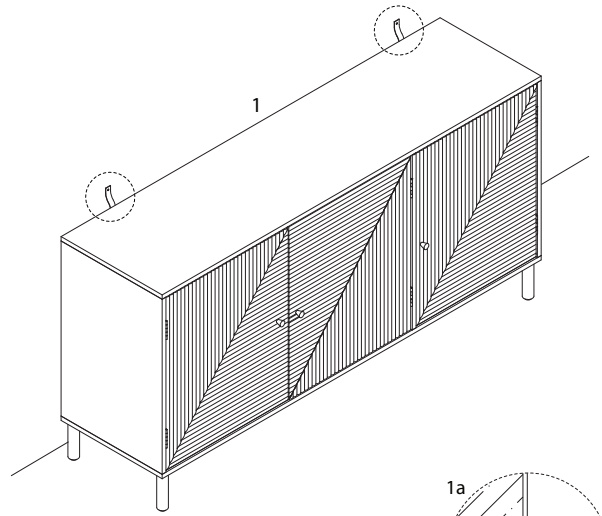
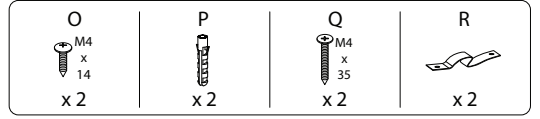
16



13/14

1363/RONGE/110326/

17



14/14

1363/RONGE/110326/