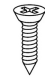
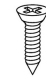
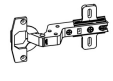
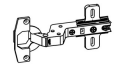
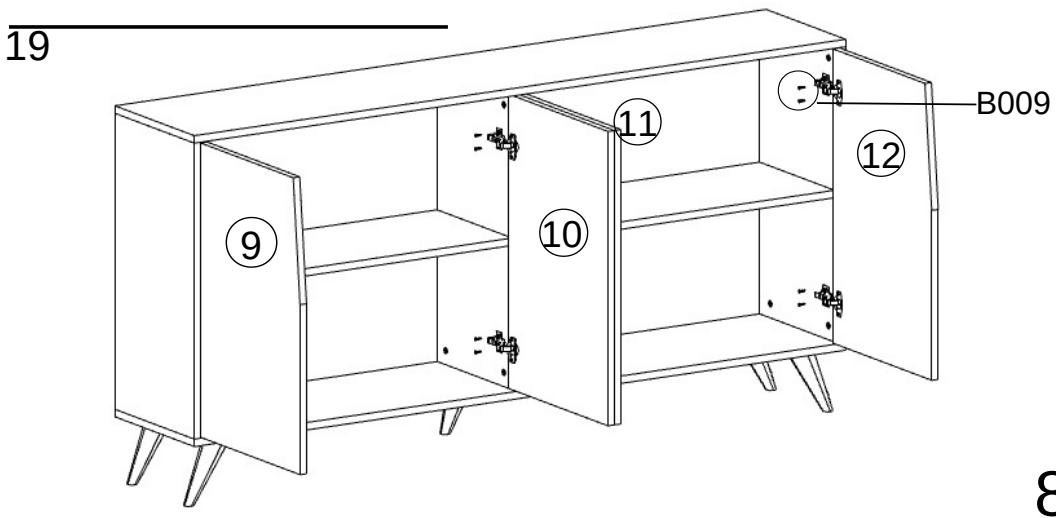
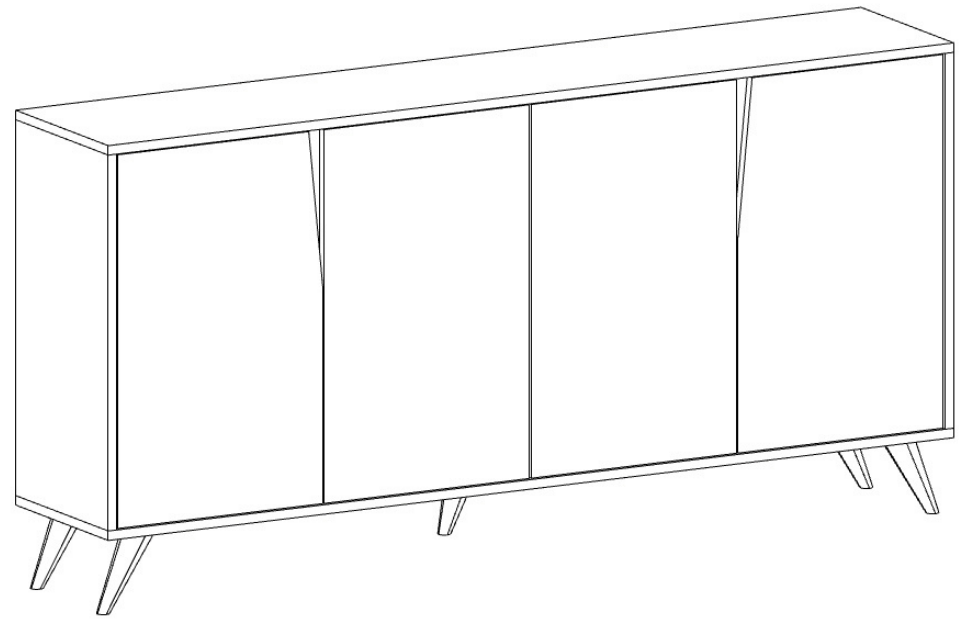
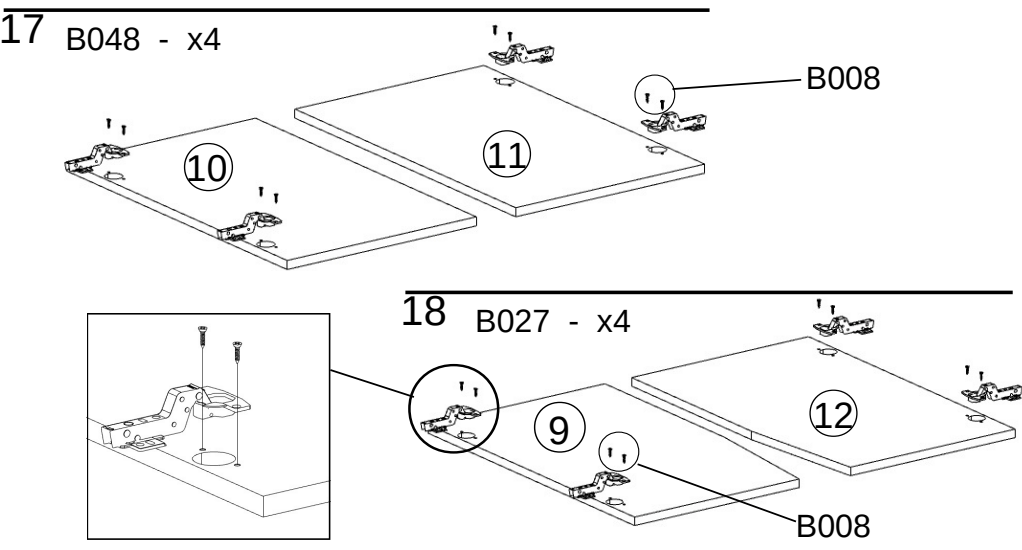
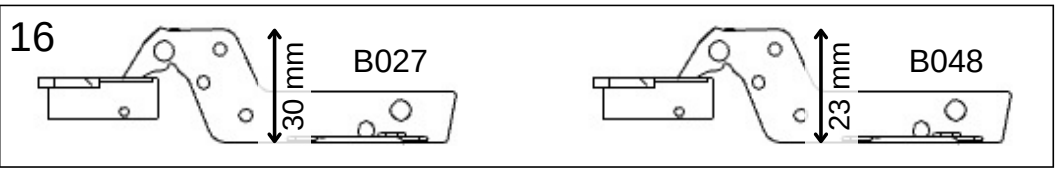
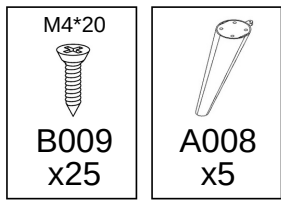
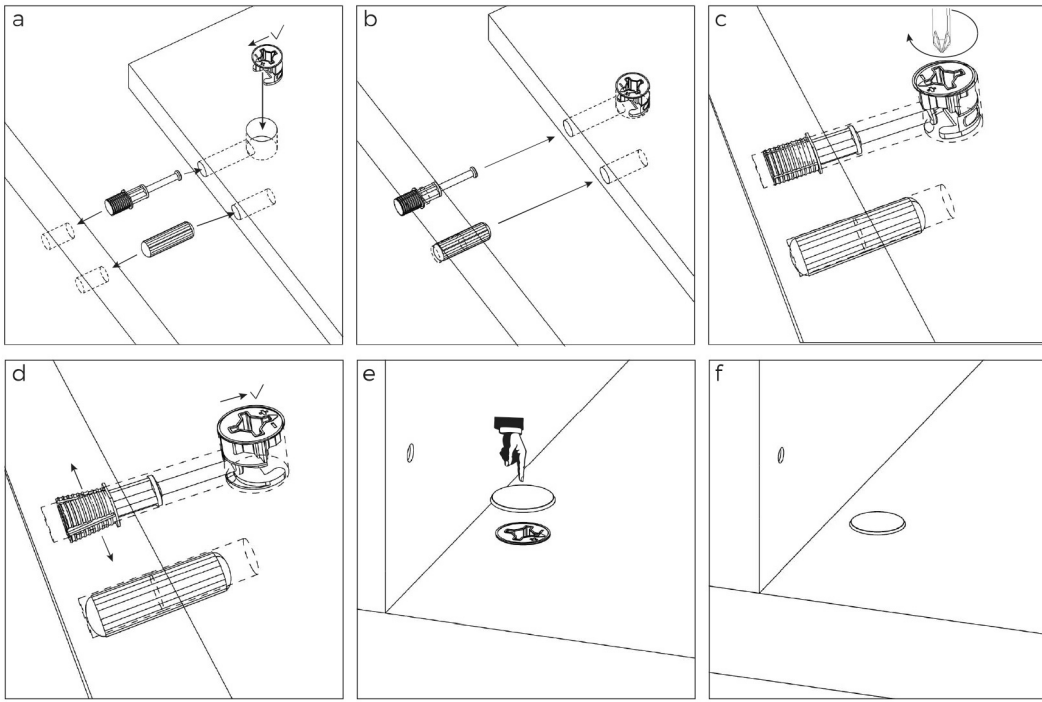


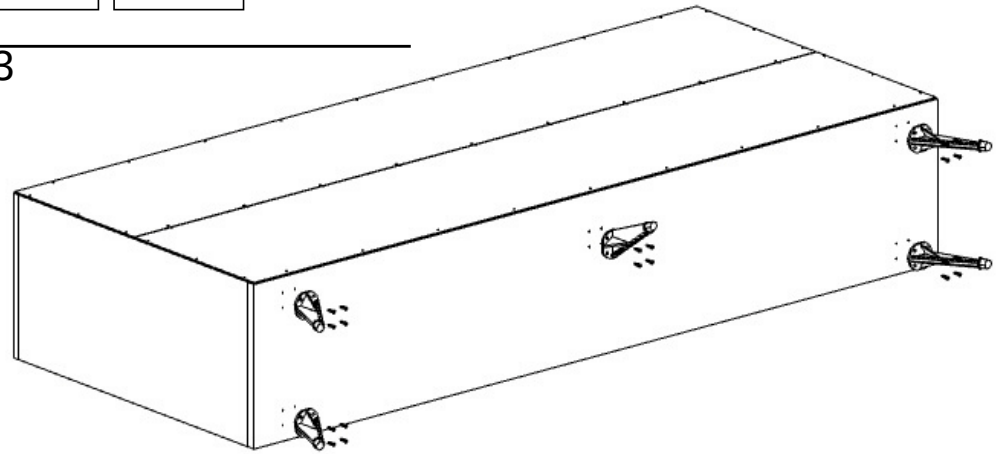
M3,5*18  B008 x16	M4*20  B009 x16	 B027 x4	 B048 x4
---	--	--	--



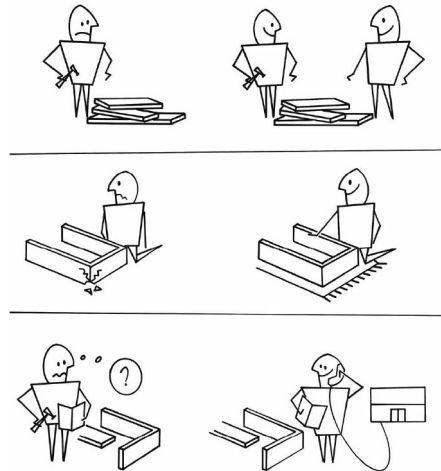
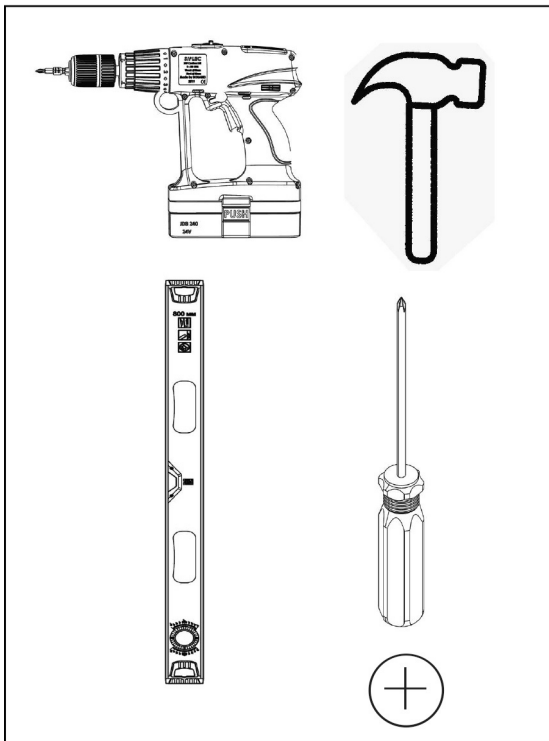
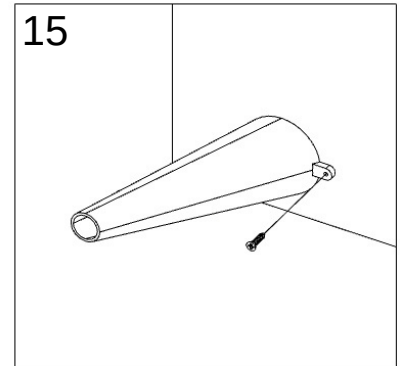
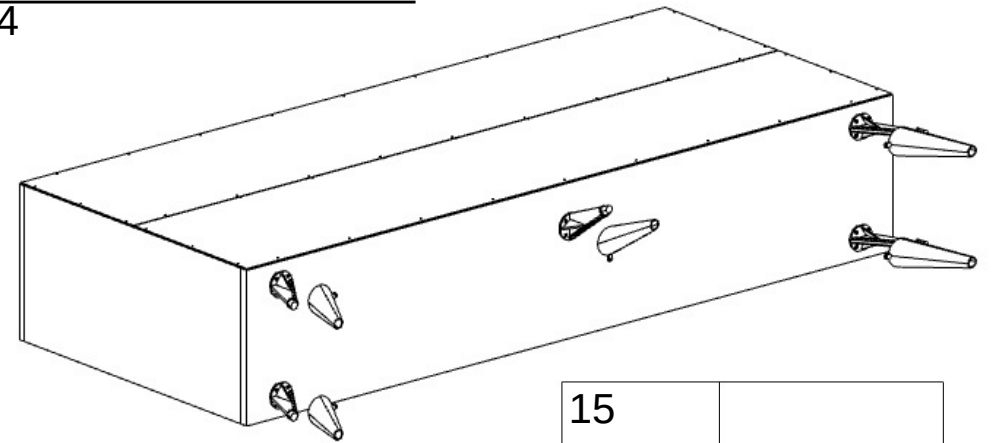
1730

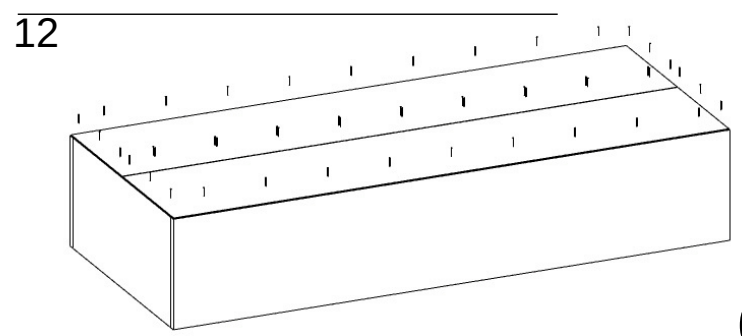
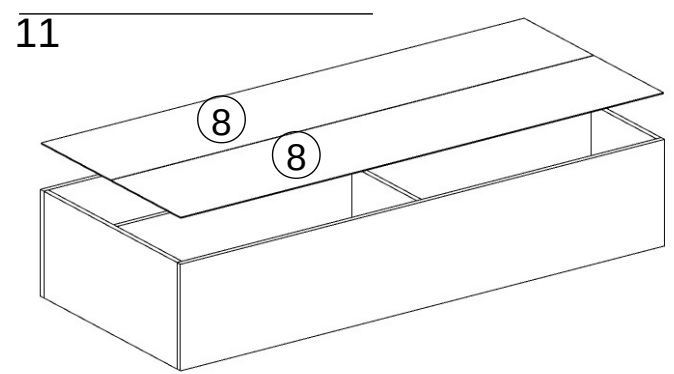
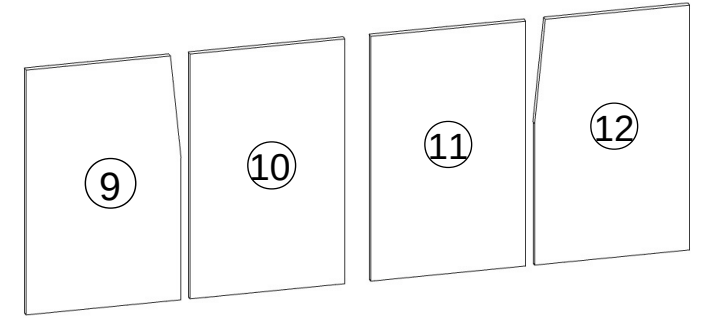
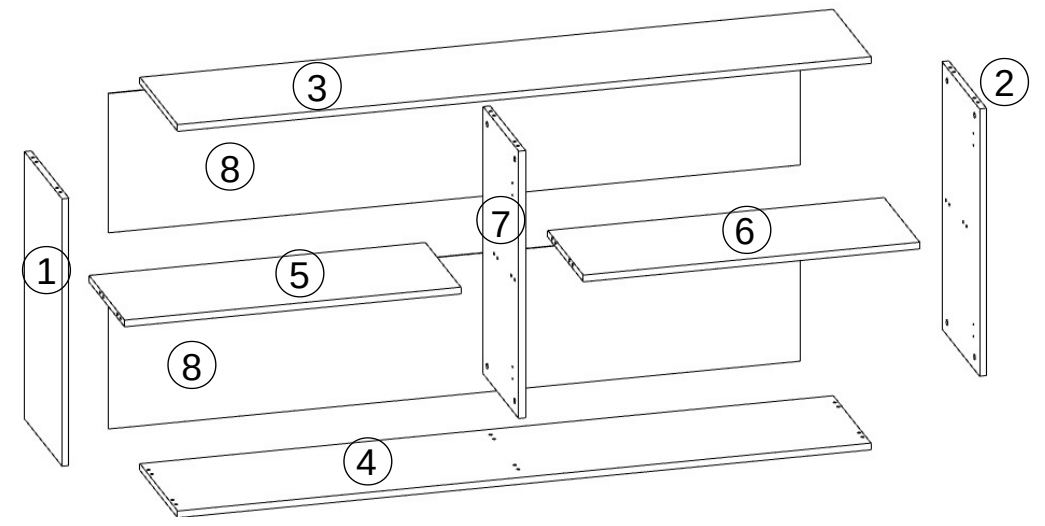
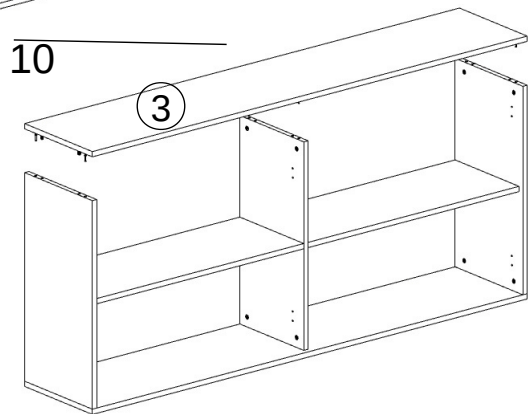
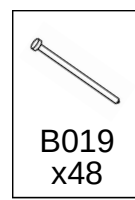
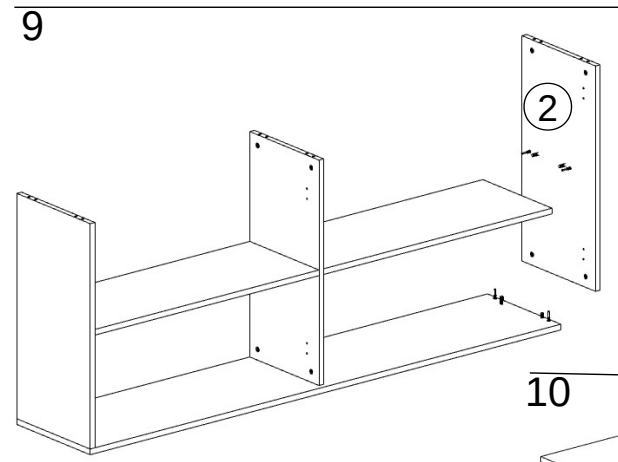









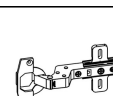
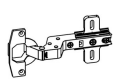

13



14



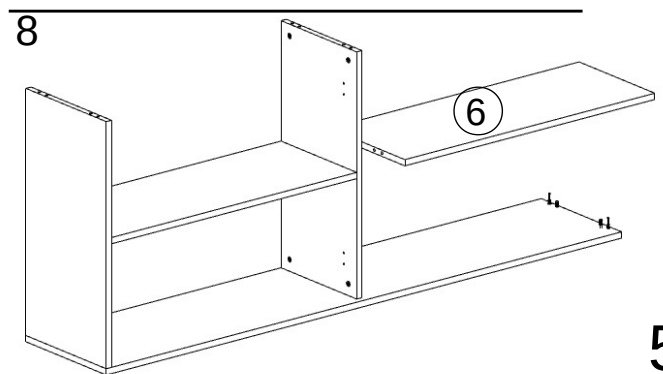
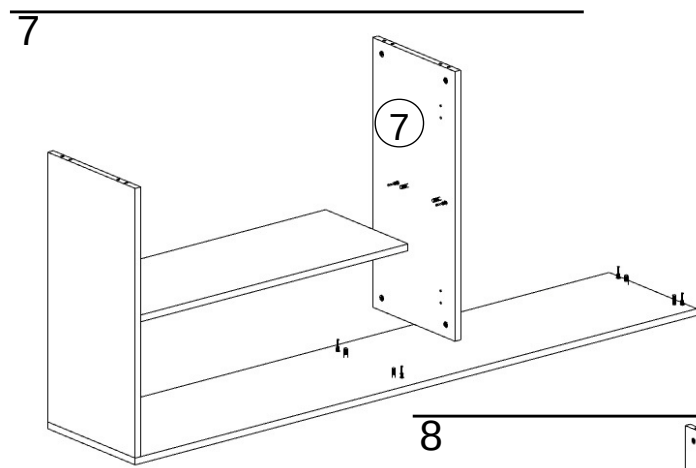
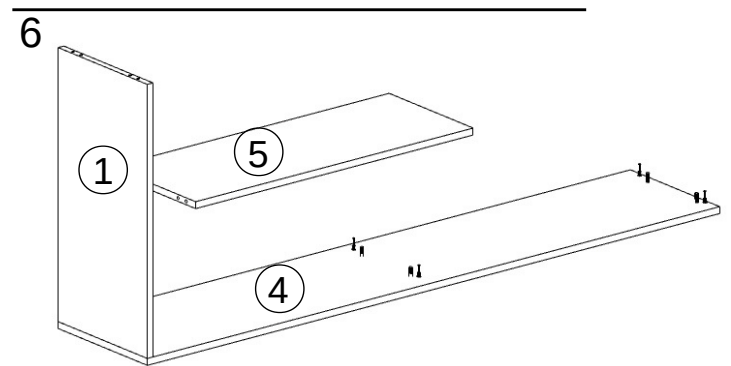
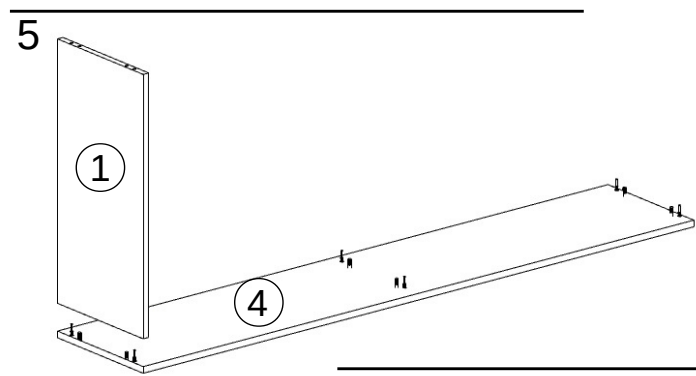
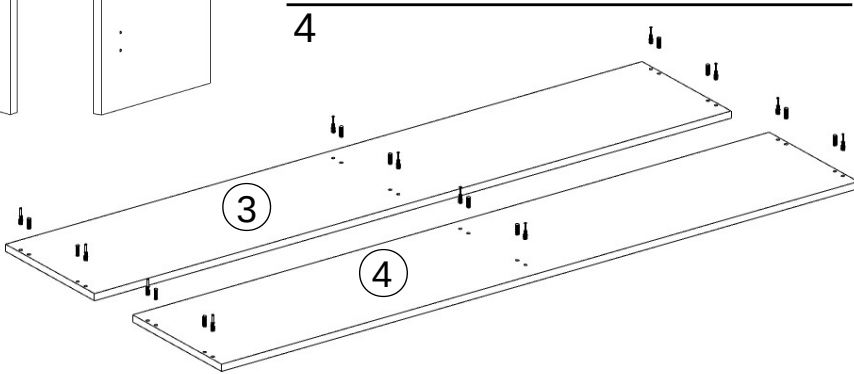
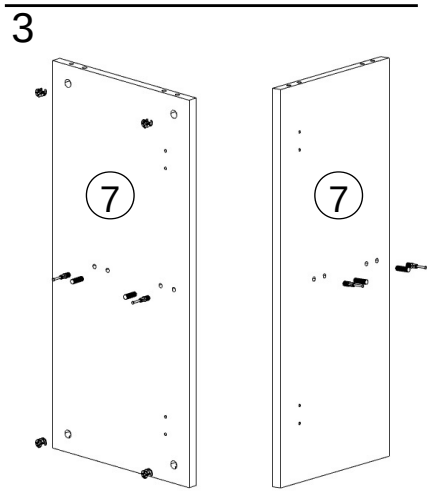
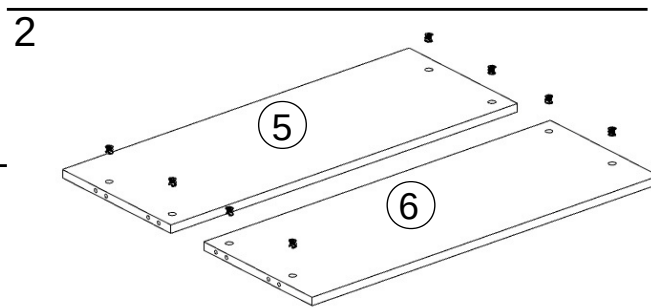
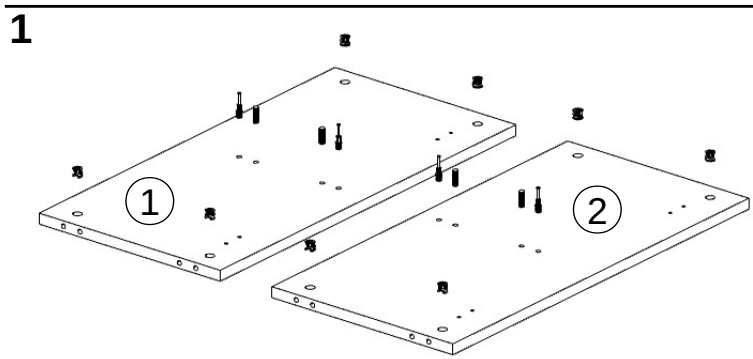
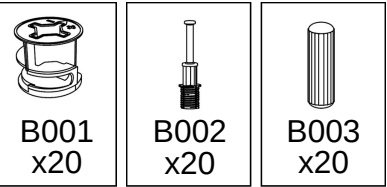


 B001 x20	 B002 x20	 B003 x20	 B004 x20
 M3,5*18 B008 x16	 M4*20 B009 x41	 B019 x48	 B027 x4
 B048 x4	 A008 x5		

1	- 714*350*18	x1
2	- 714*350*18	x1
3	- 1800*350*18	x1
4	- 1800*350*18	x1
5	- 873*330*18	x1
6	- 873*330*18	x1
7	- 714*330*18	x1
8	- 1796*372*3	x2
9	- 710*437*18	x1
10	- 710*437*18	x1
11	- 710*437*18	x1
12	- 710*437*18	x1

6

3



4

5