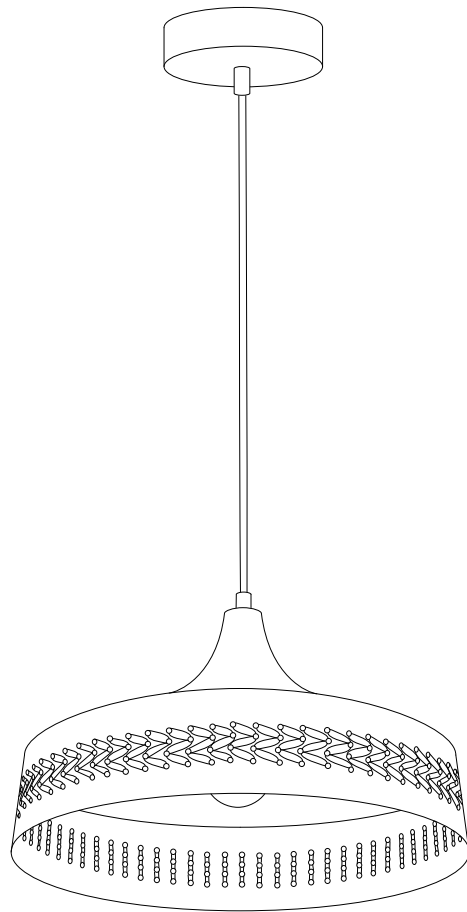
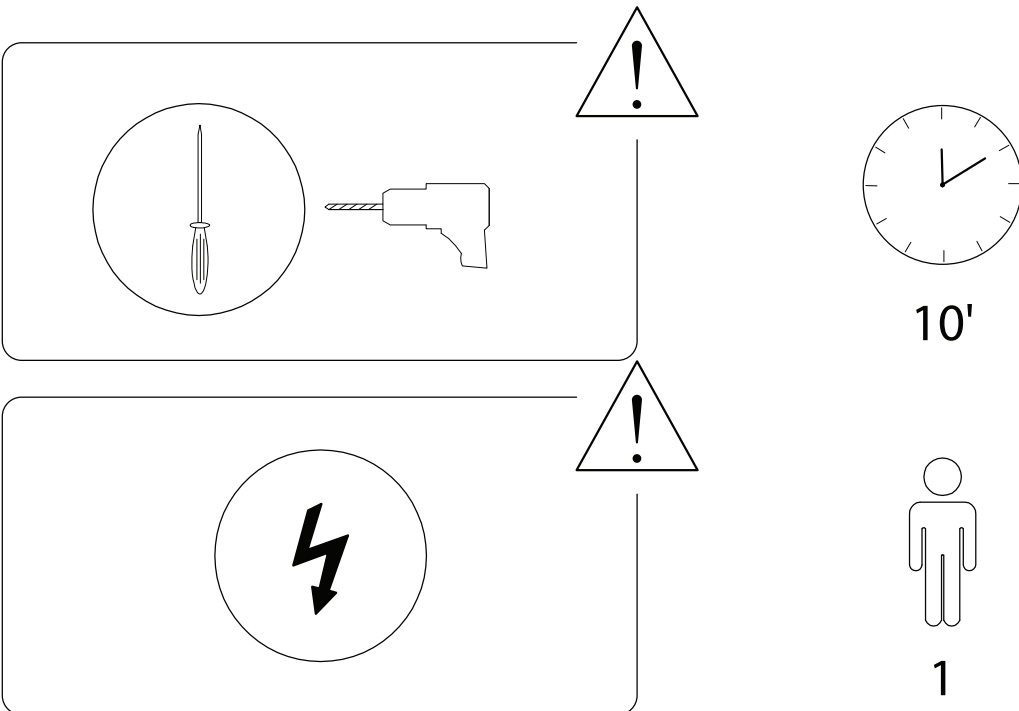
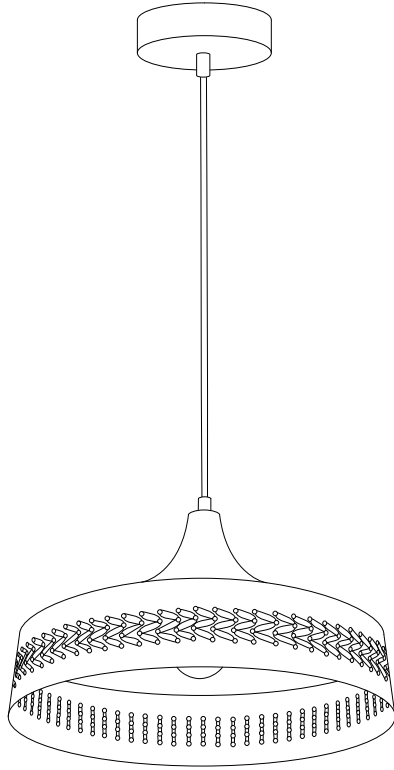
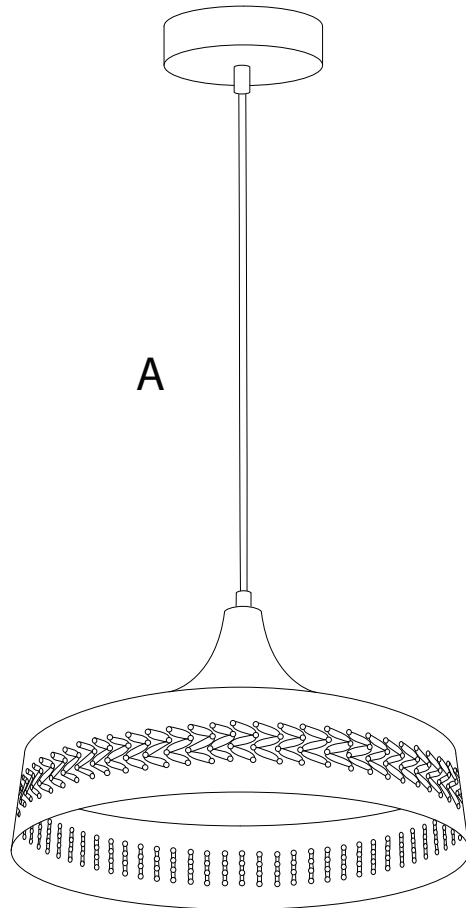
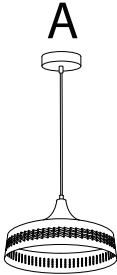
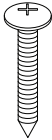
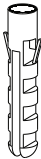


MAMEYES

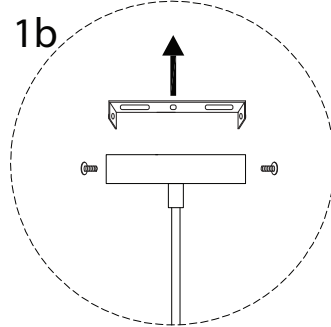
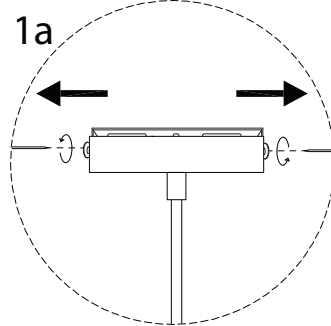
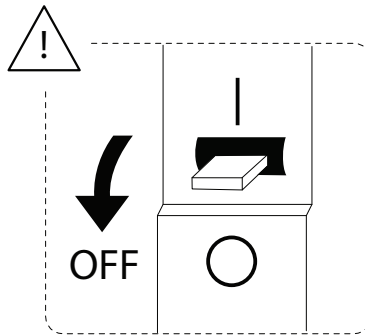
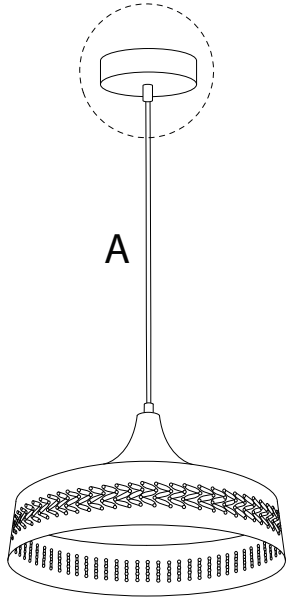
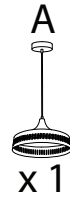






 <p>A</p> <p>x 1</p>	 <p>B</p> <p>x 2</p>	 <p>C</p> <p>x 2</p>
---	---	---

1



2

B

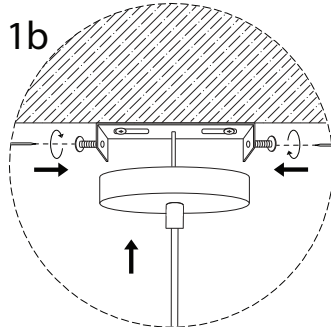
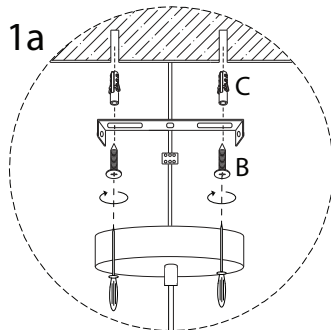
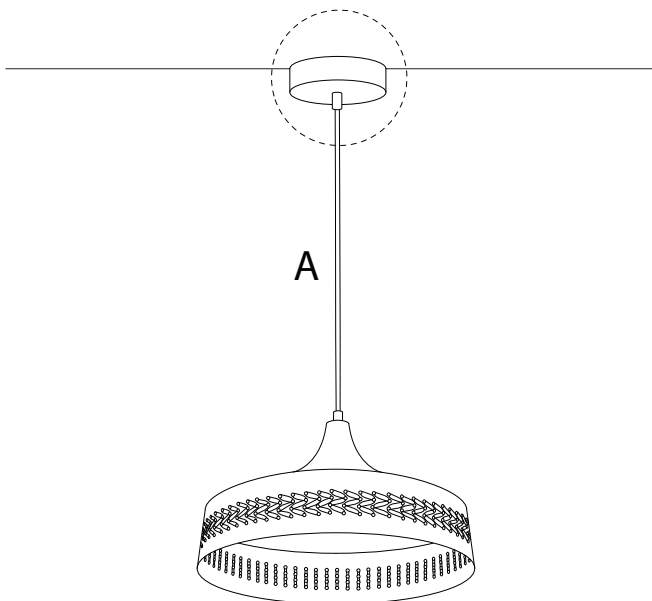


x 2

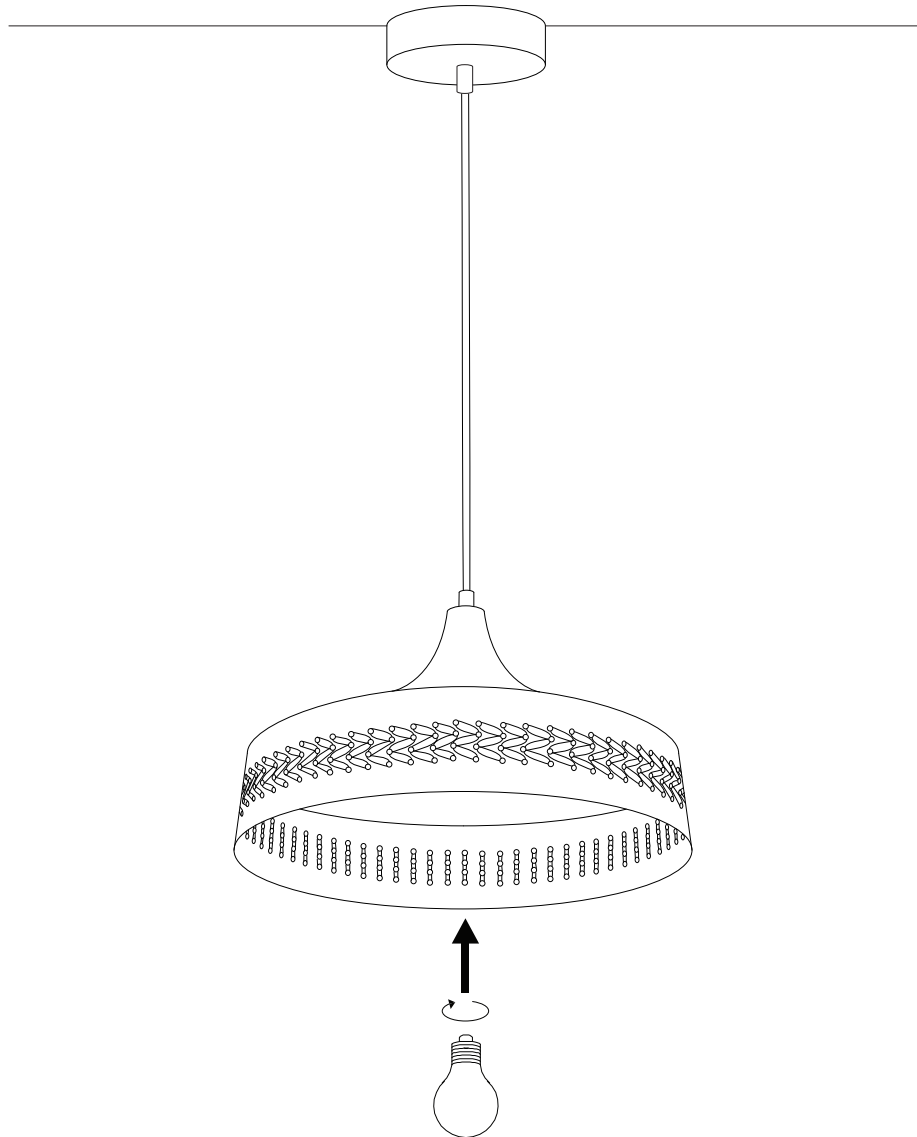
C



x 2



3



!

