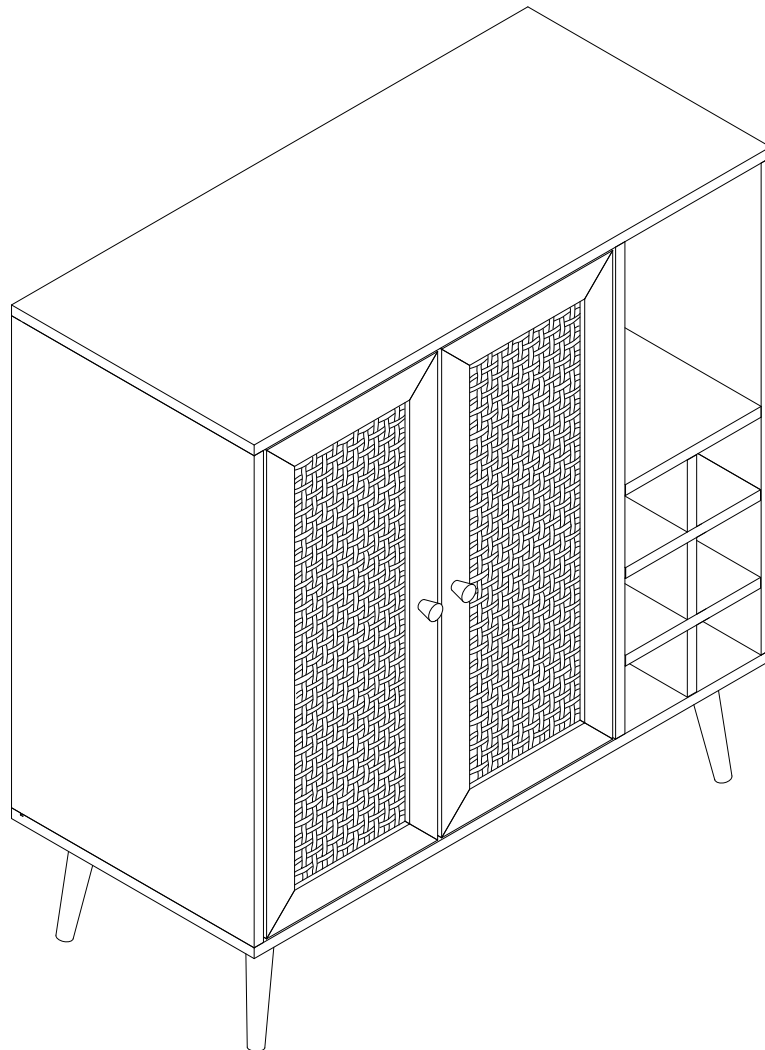


PAGET



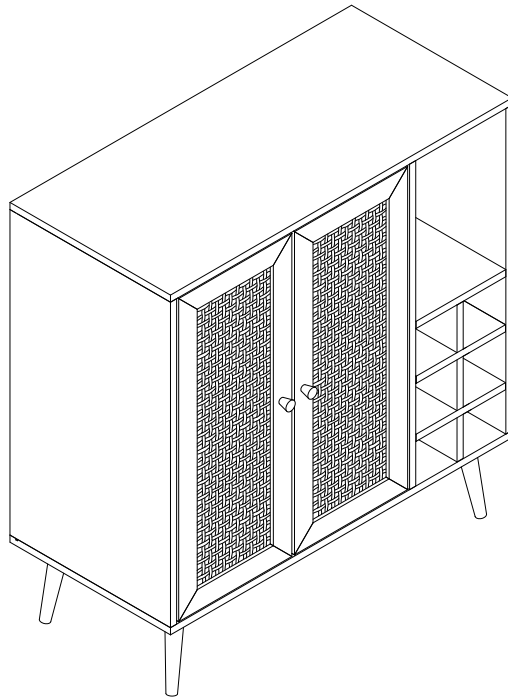
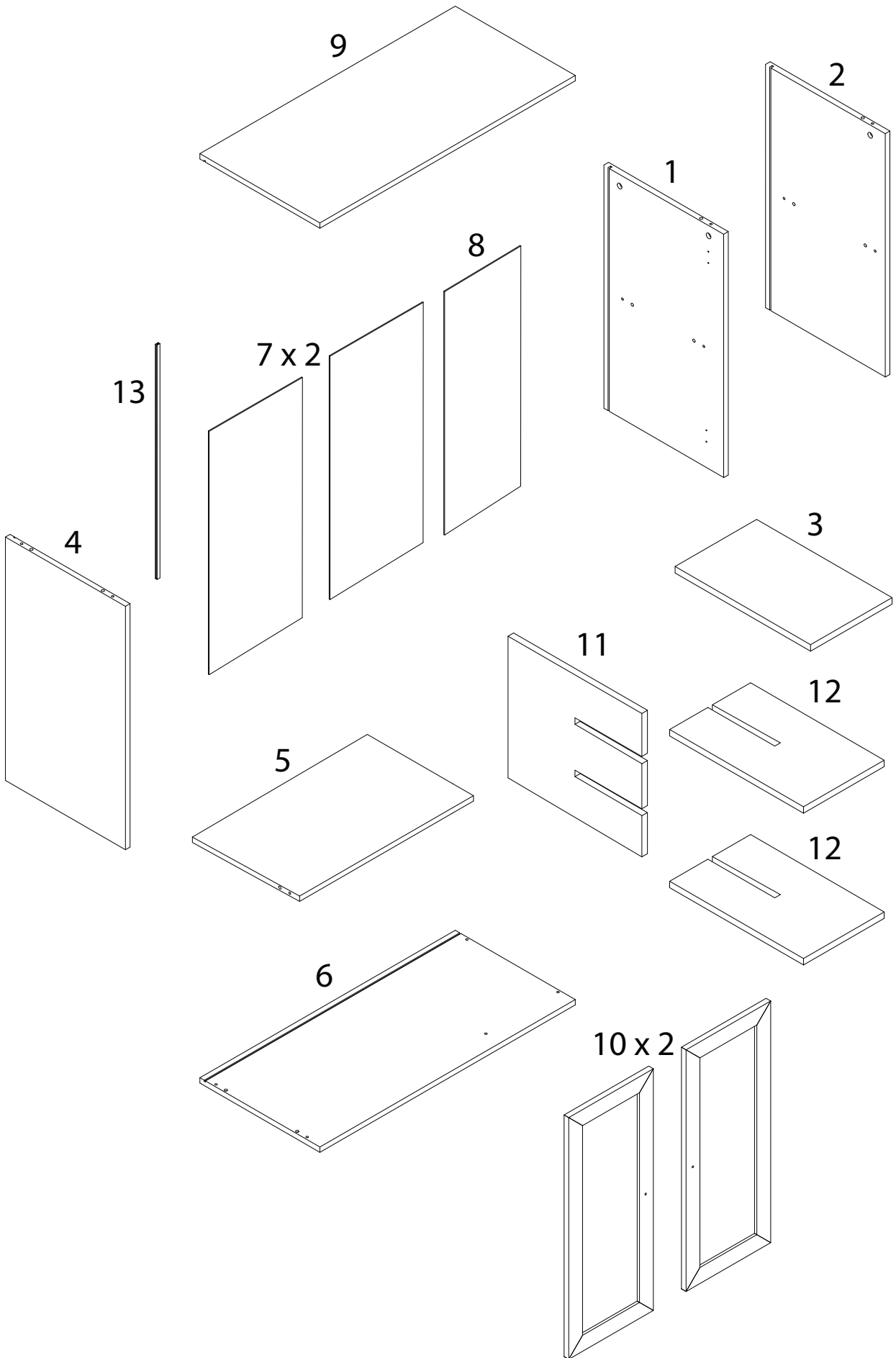
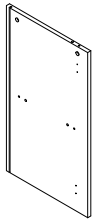


Diagram illustrating assembly steps and safety warnings:

- Top Section:** Shows a screwdriver and a power drill. A warning triangle with an exclamation mark is positioned above this section.
- Bottom Section:** Shows a rectangular block being placed on a surface and another block being secured with a screw. A warning triangle with an exclamation mark is positioned above this section.
- Timing:** A clock icon with a circular arrow indicates a 60-minute duration.
- Personnel:** An icon of a person indicates that 2 people are required for assembly.



1



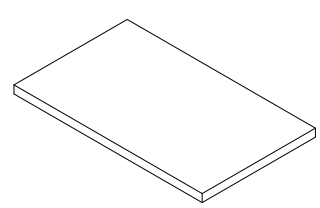
x 1

2



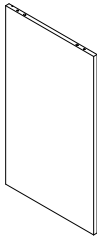
x 1

3



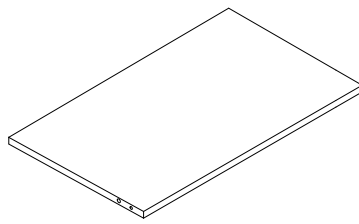
x 1

4



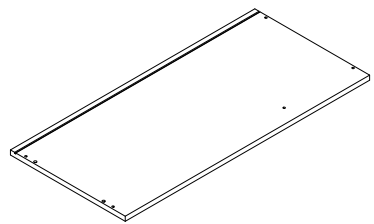
x 1

5



x 1

6



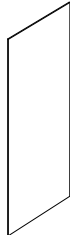
x 1

7



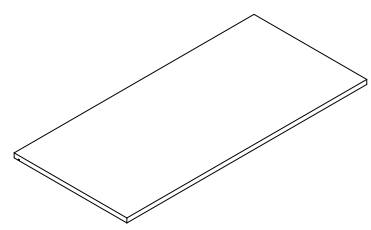
x 12

8



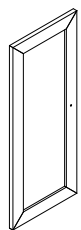
x 1

9



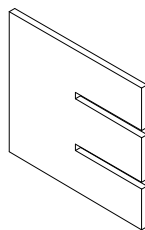
x 1

10



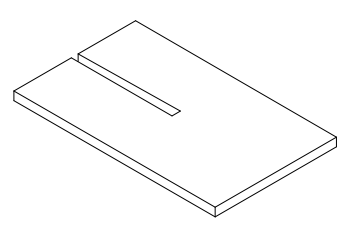
x 2

11



x 1

12



x 2

13



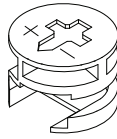
x 1

A



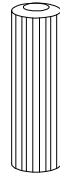
x 14

B



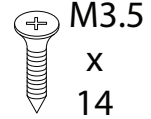
x 14

C



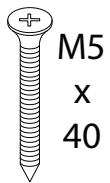
x 20

D



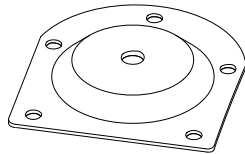
x 18

E



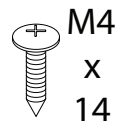
x 6

F



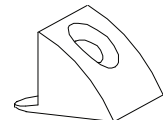
x 4

G



x 20

H1



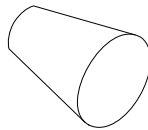
x 10

H2



x 10

I1



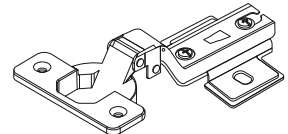
x 2

I2



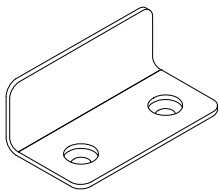
x 2

J



x 4

K



x 1

L



x 4

M1



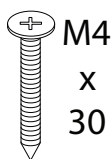
x 2

M2



x 2

M3



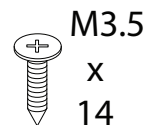
x 2

M4



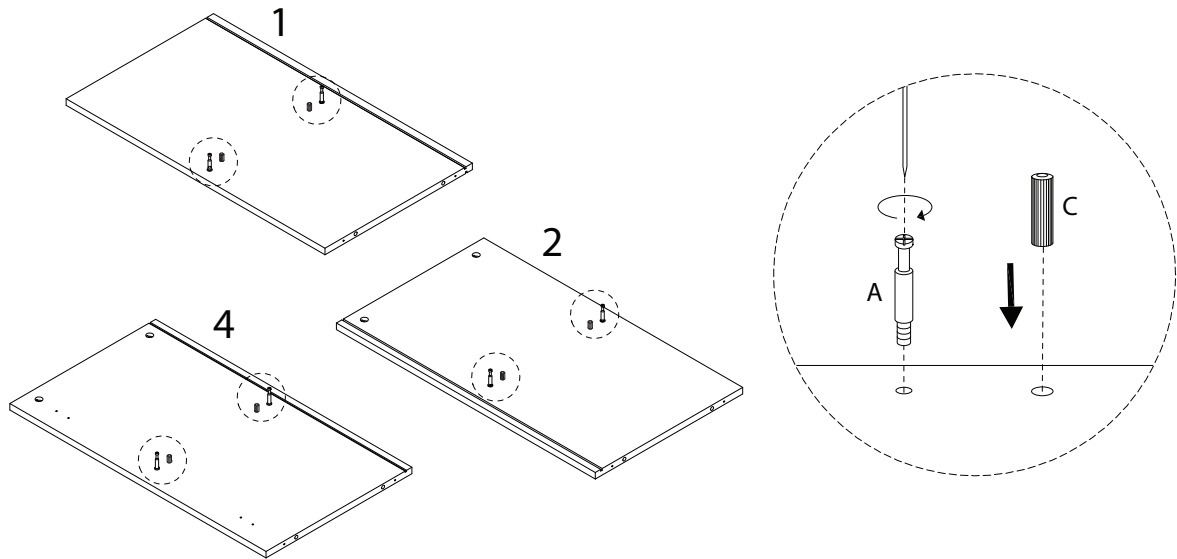
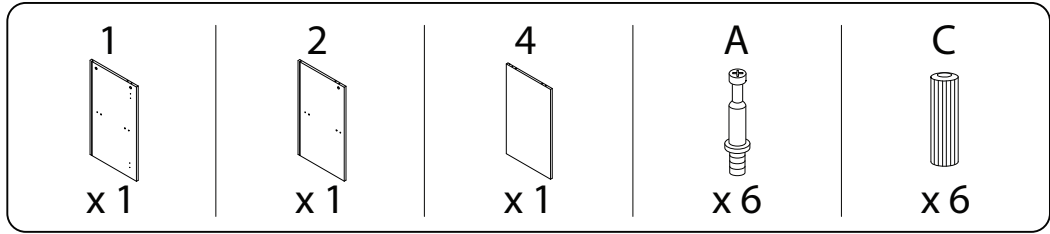
x 4

M5

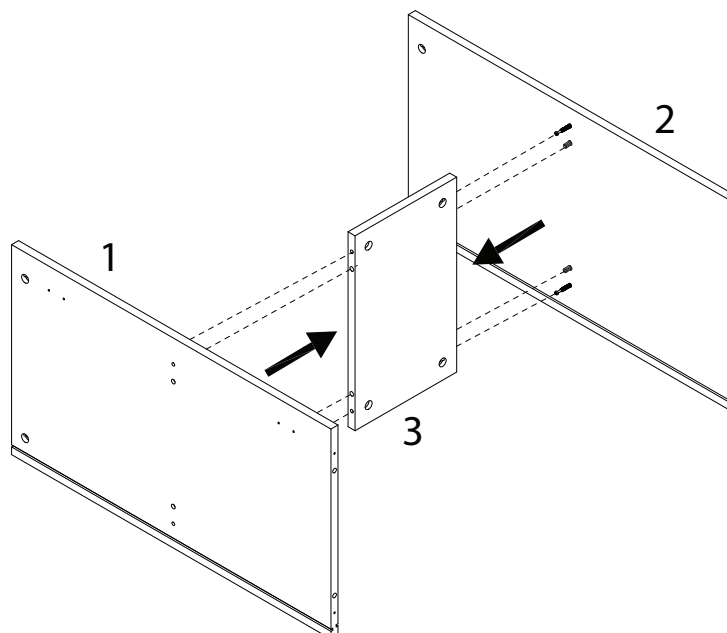
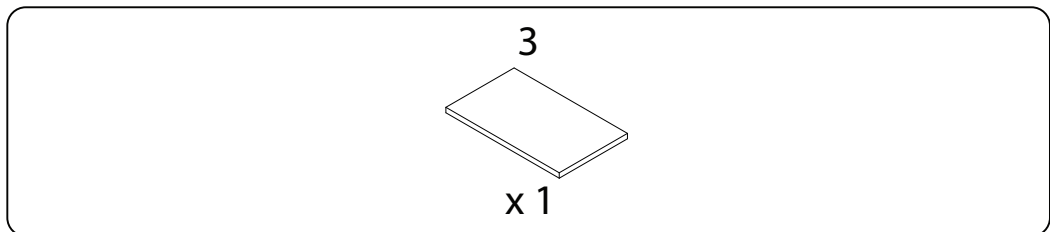


x 2

1



2

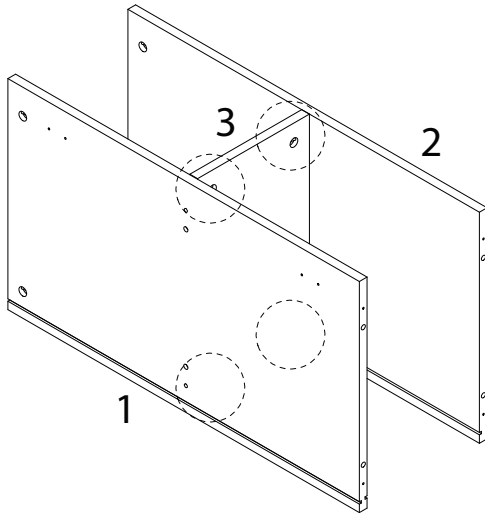


3

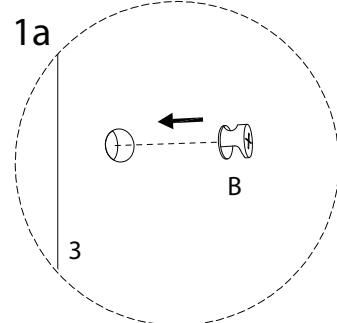
B



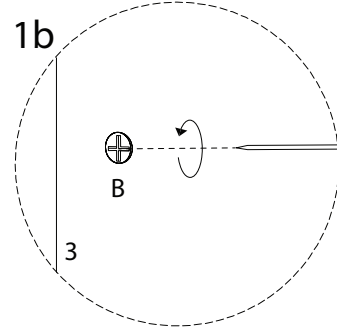
x 4



1a



1b



4

A

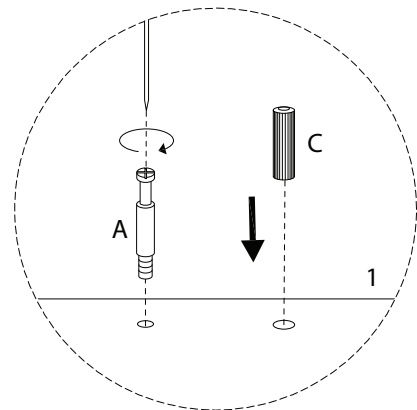
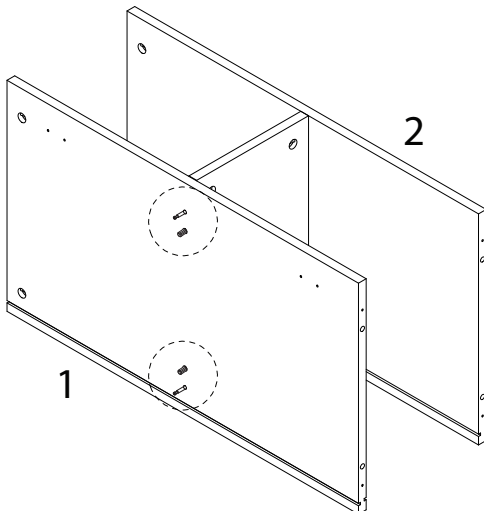


x 2

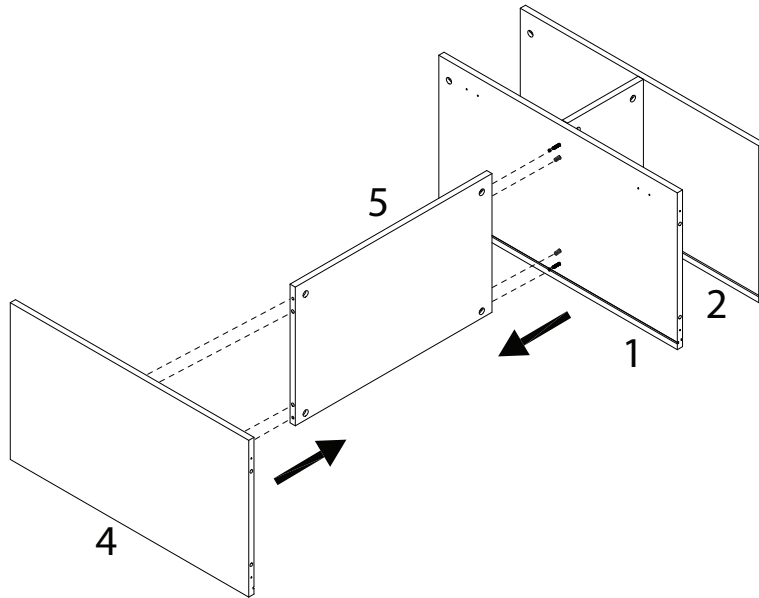
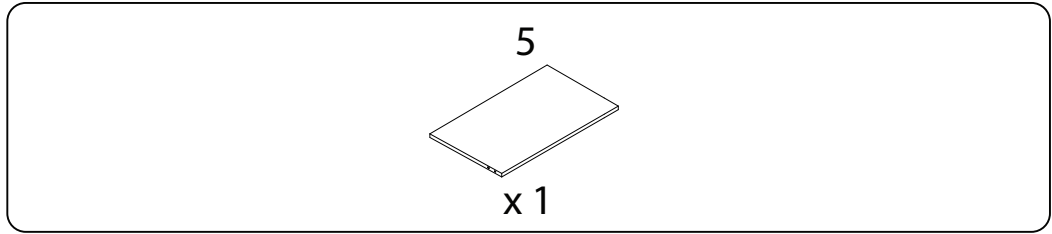
C



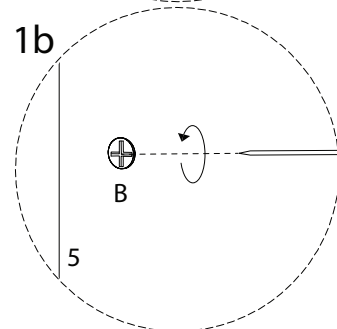
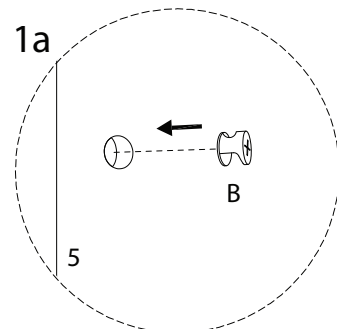
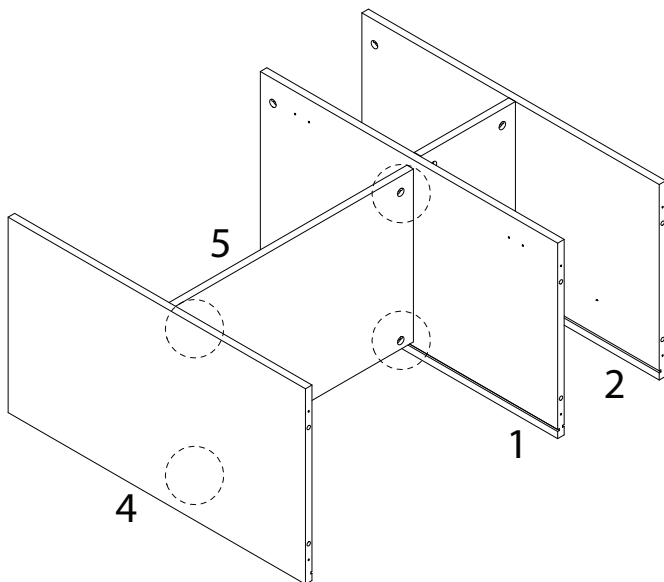
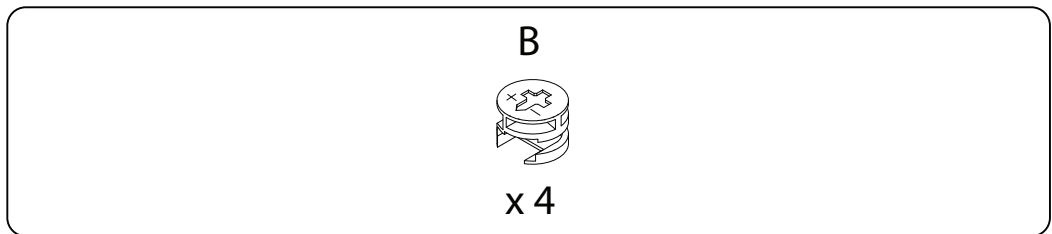
x 2



5



6

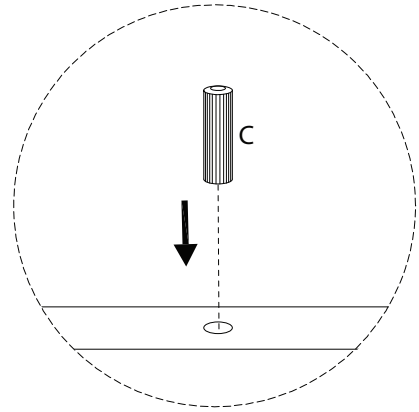
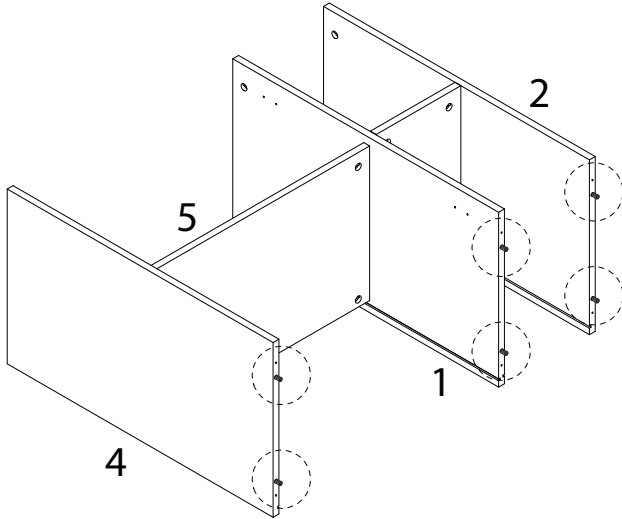


7

C

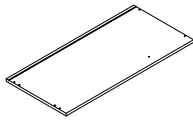


x 6



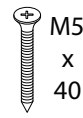
8

6

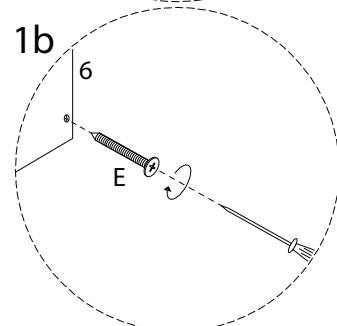
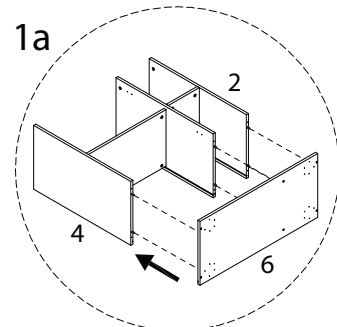
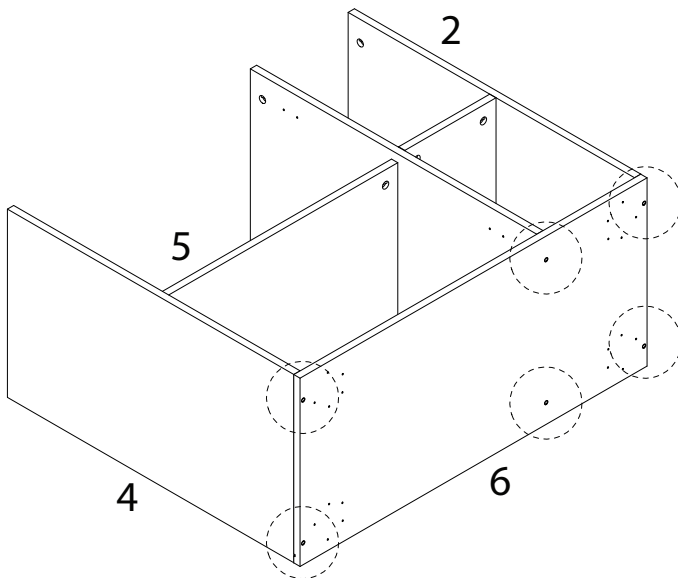


x 1

E

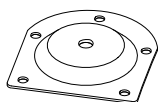


x 6



9

F

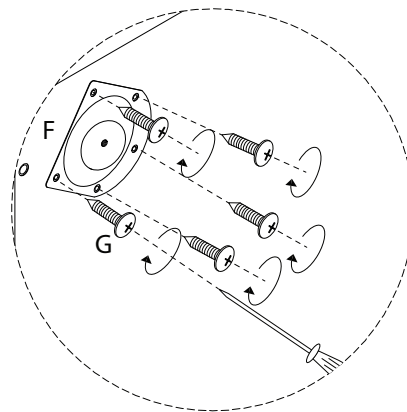
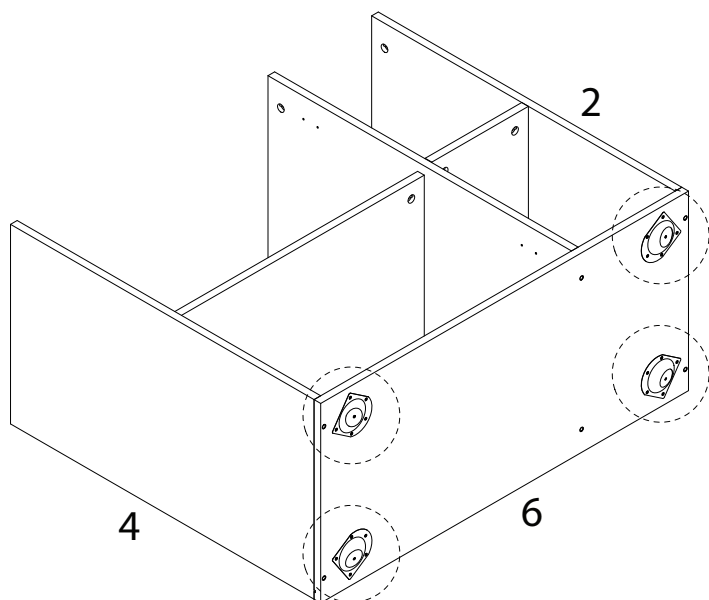


x 4

G



x 20

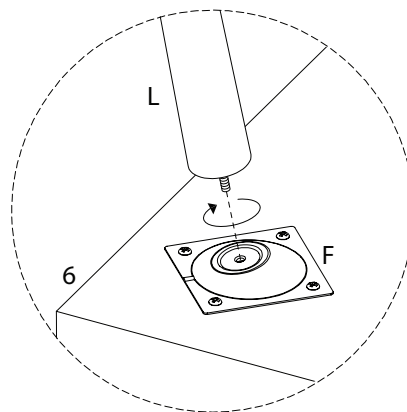
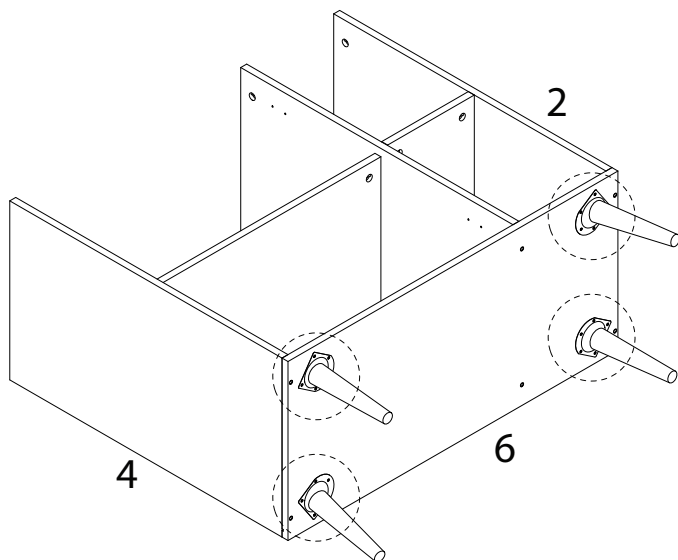


10

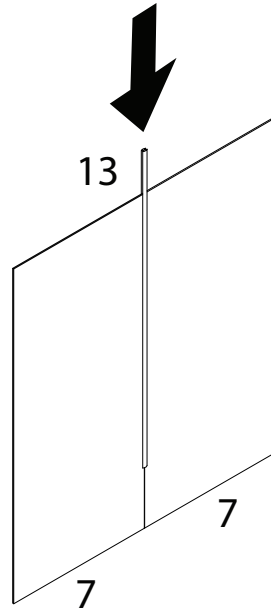
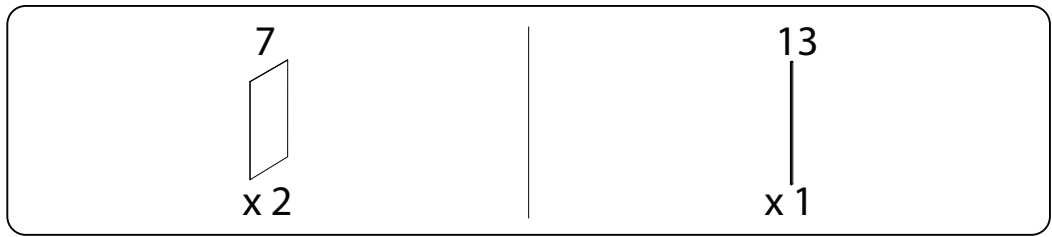
L



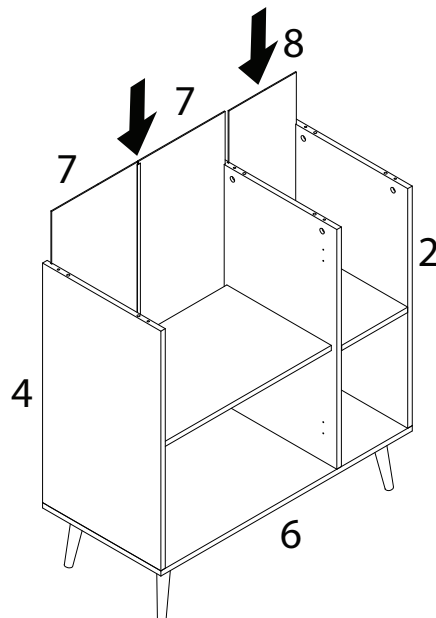
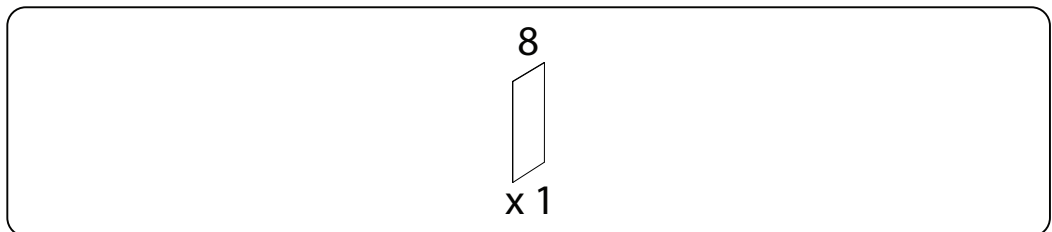
x 4



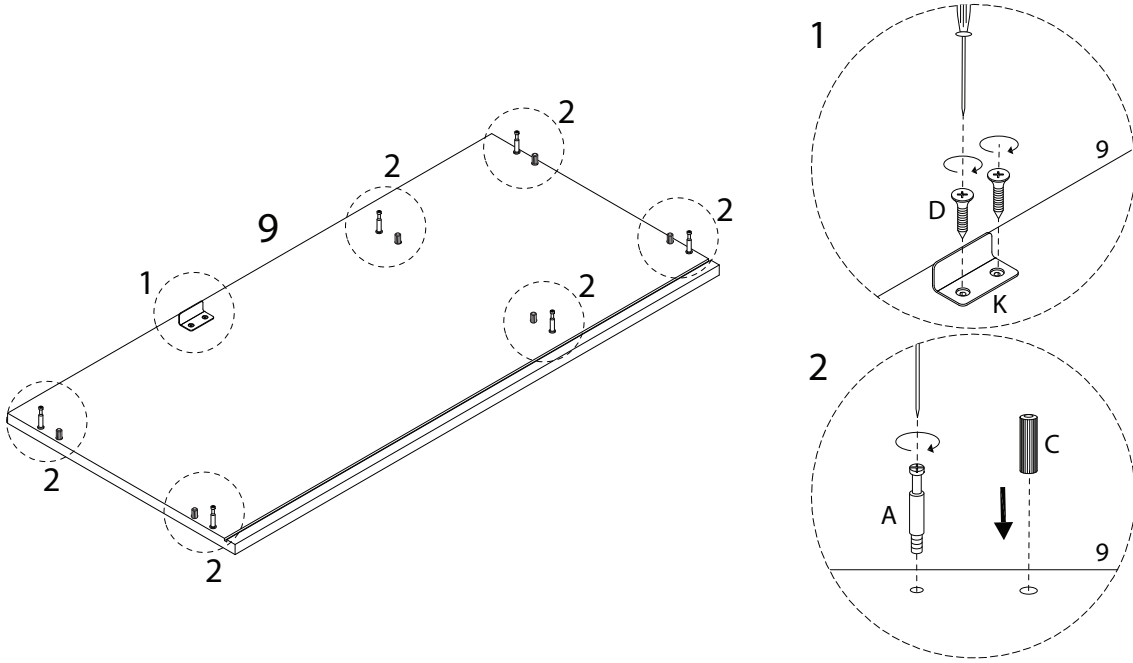
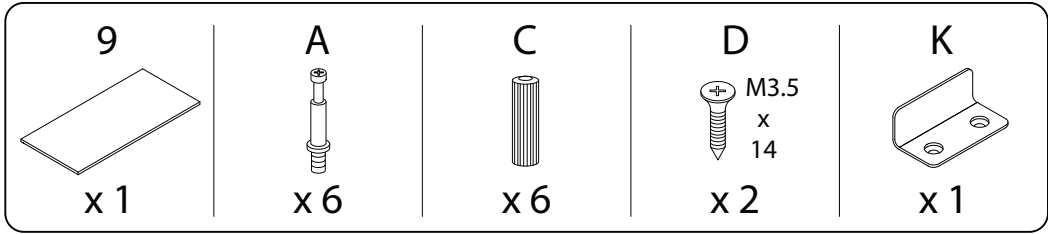
11



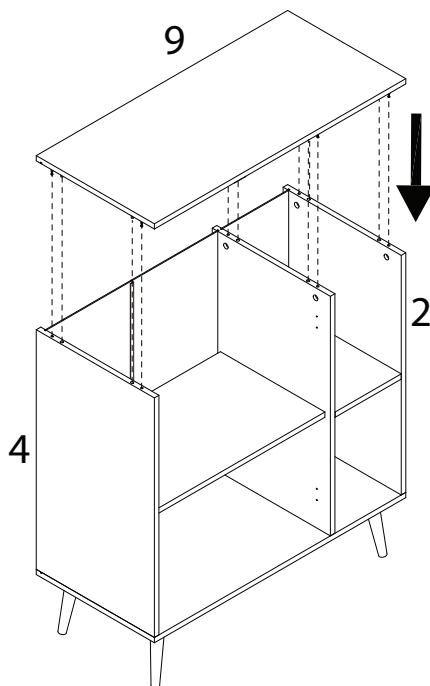
12



13



14

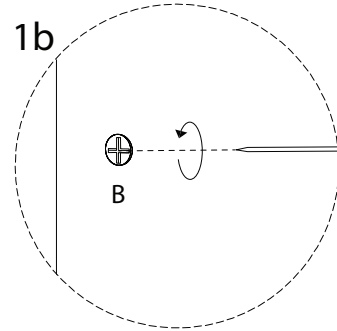
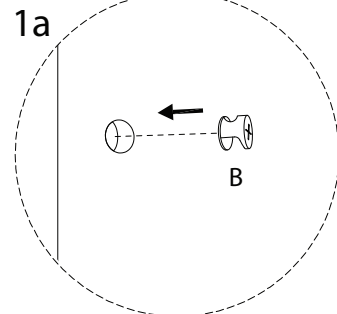
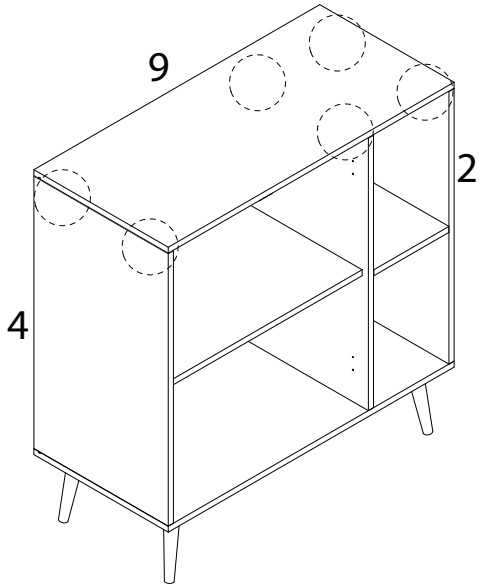


15

B

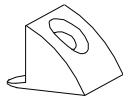


x 6



16

H1

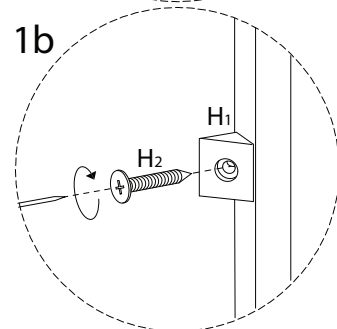
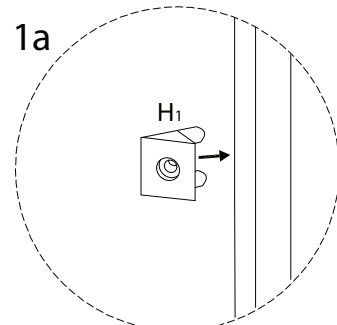
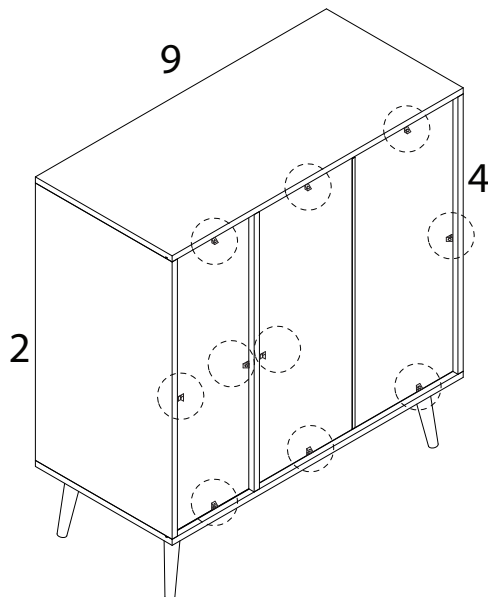


x 10

H2



x 10



17 x 2

10
x 1

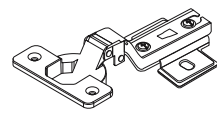


D

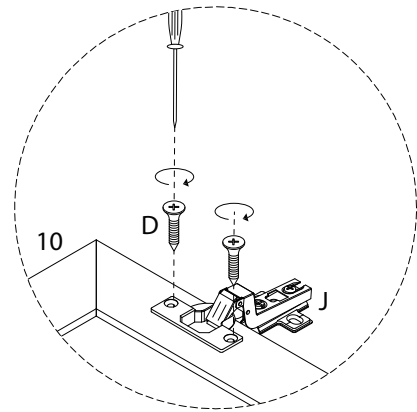
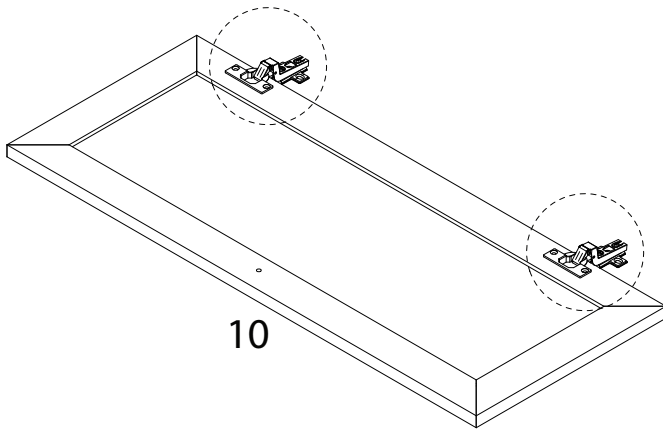
M3.5
x
14
x 4



J

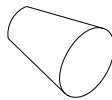


x 2



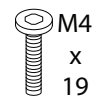
18

l1

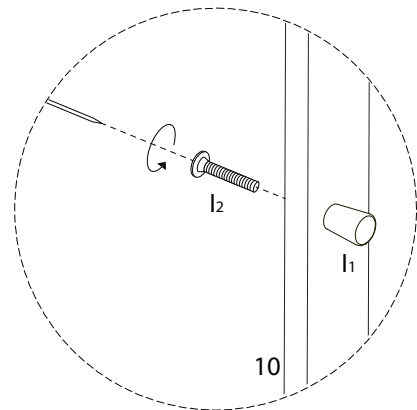
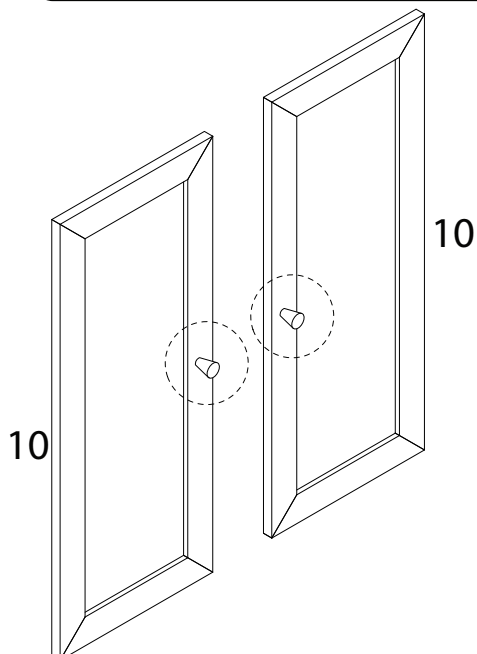


x 2

l2



x 2

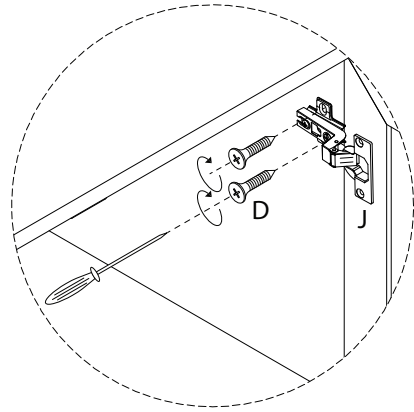
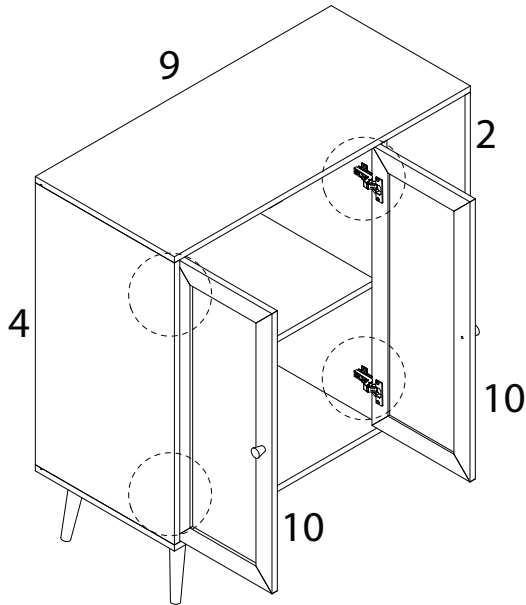


19

D

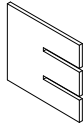
M3.5
x
14

x 8



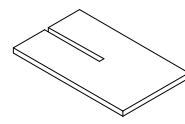
20

11

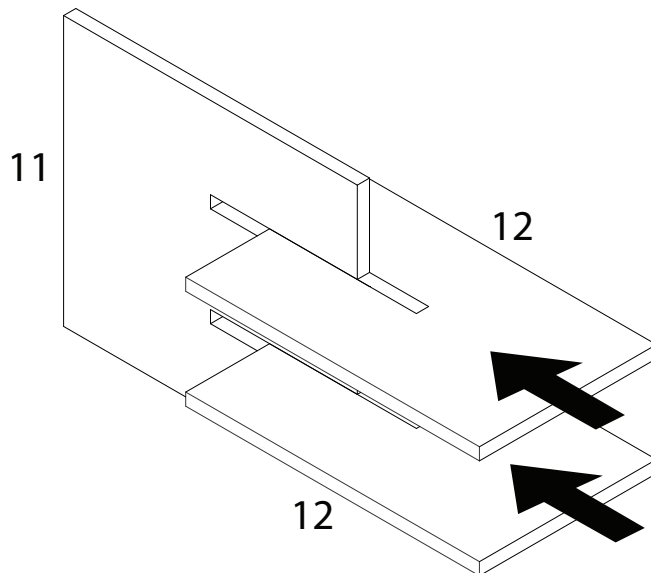


x 1

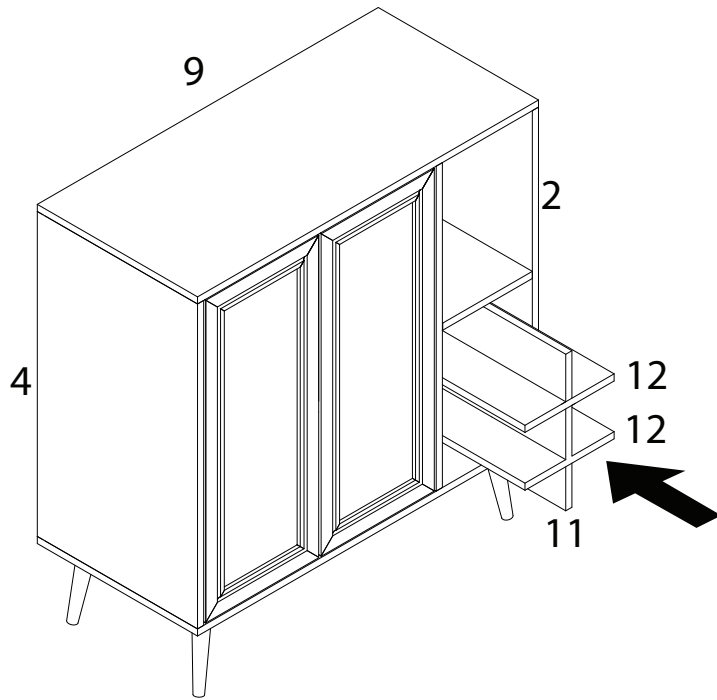
12



x 2

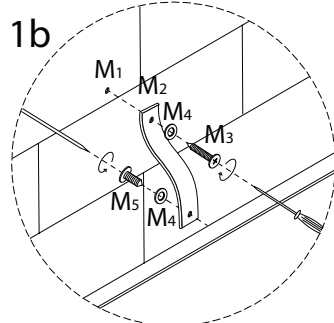
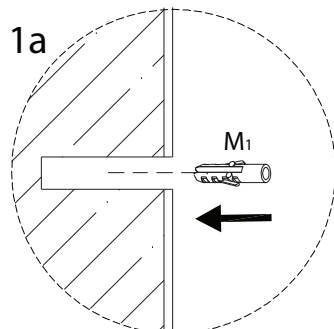
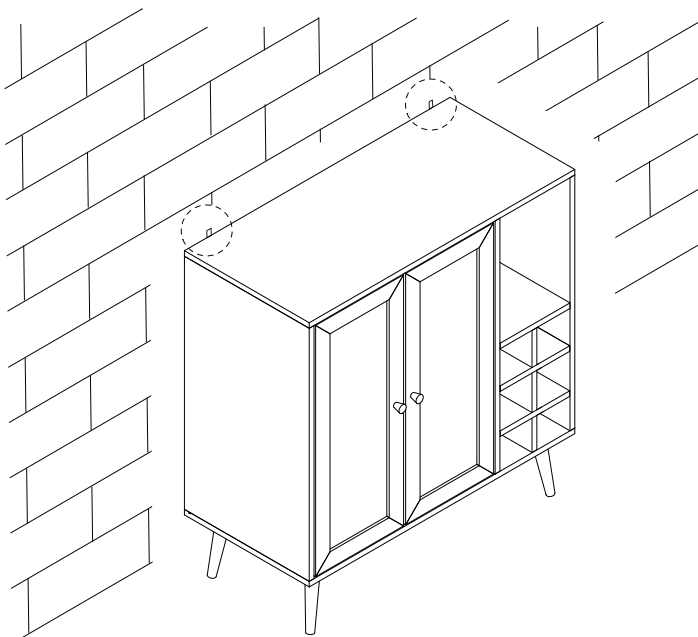


19



20

<p>M₁</p> <p>x 2</p>	<p>M₂</p> <p>x 2</p>	<p>M₃</p> <p>x 2</p>	<p>M₄</p> <p>x 4</p>	<p>M₅</p> <p>x 2</p>
---------------------------------	---------------------------------	---------------------------------	---------------------------------	---------------------------------



!

