

NOVATO



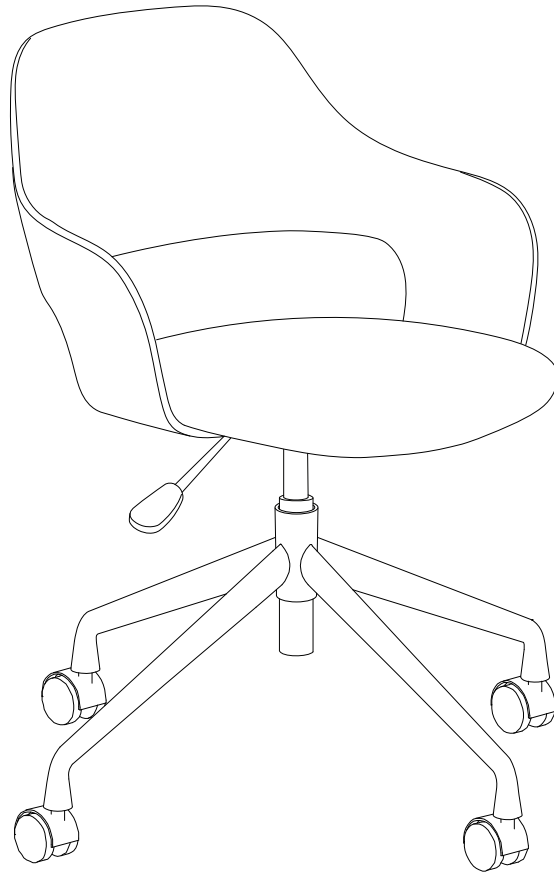
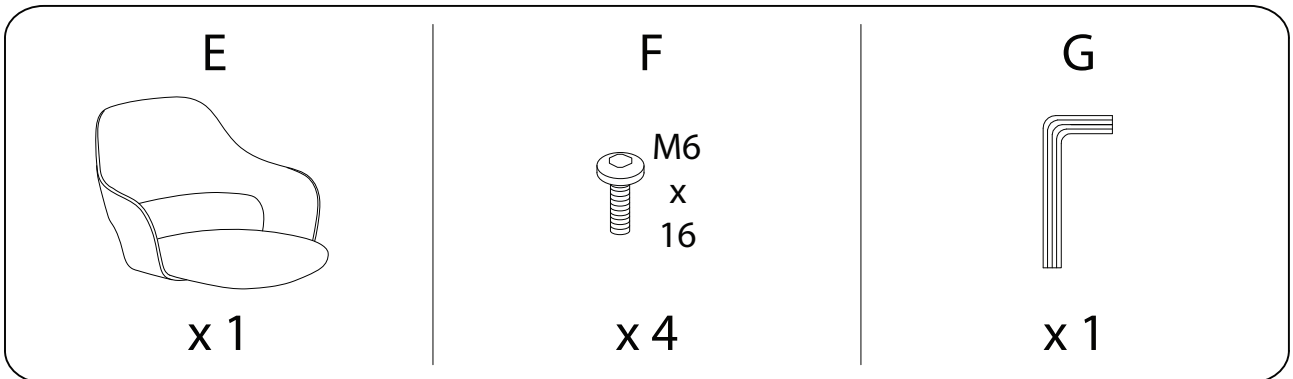
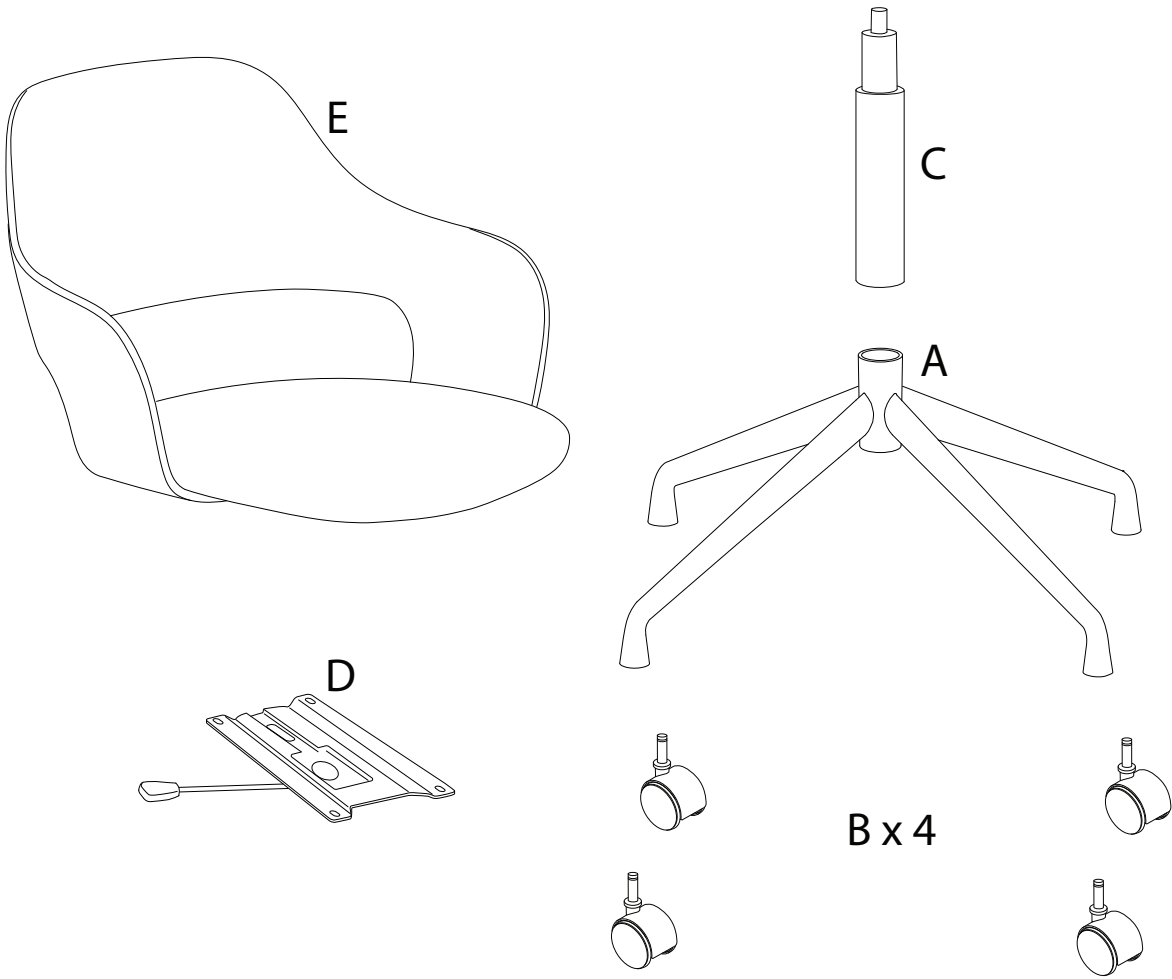
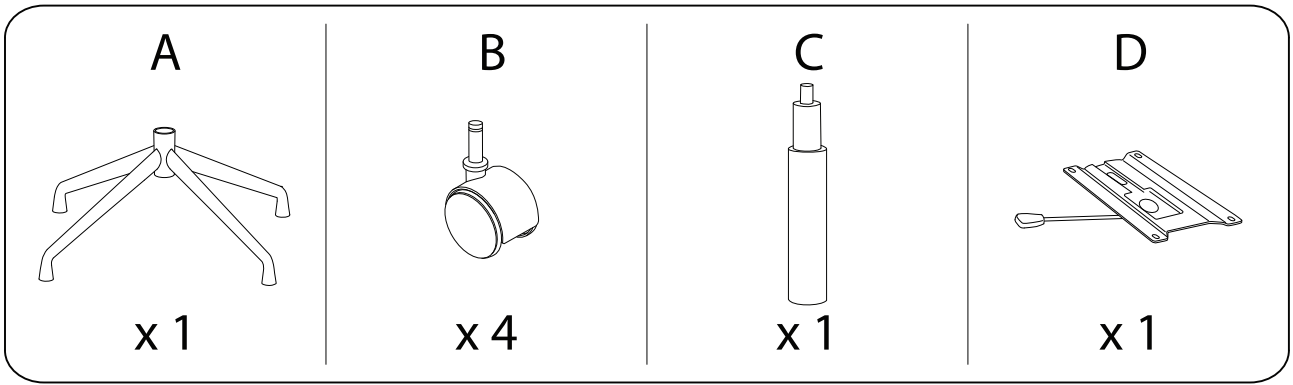


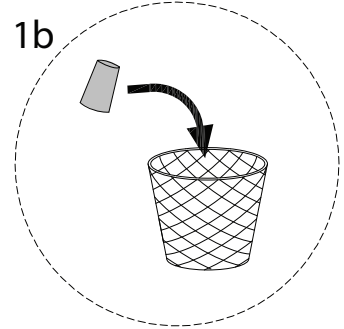
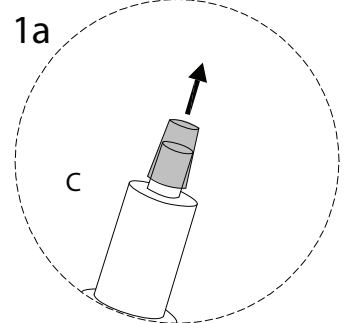
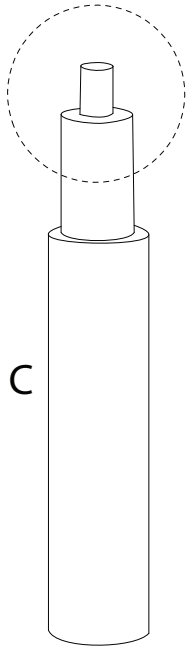
Diagram illustrating safety instructions for assembly:

- Top Section:** Shows an Allen key and a power drill with a diagonal line through it, indicating that a power drill should not be used. A warning triangle with an exclamation mark is positioned to the right. Below this is a clock icon with a circular arrow, indicating a 15-minute time limit.
- Bottom Section:** Shows a rectangular block being placed on a surface with a diagonal line through it, indicating that the chair should not be placed on an uneven or soft surface. A warning triangle with an exclamation mark is positioned to the right. Below this is a person icon, indicating that one person should be used for assembly.

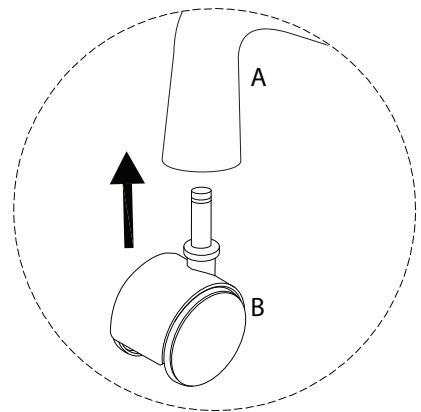
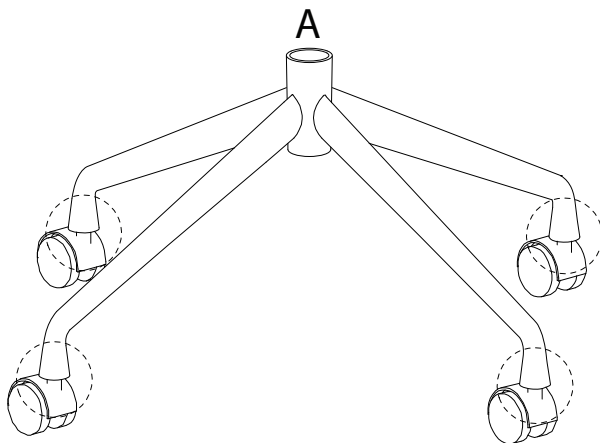
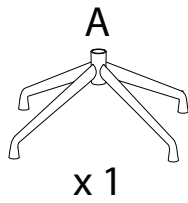
1/5



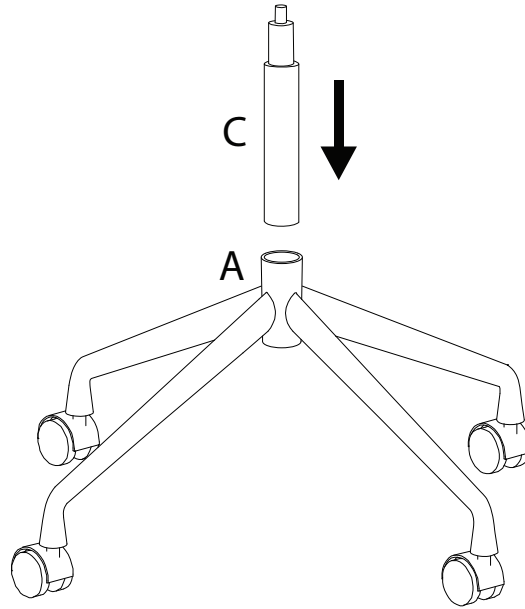
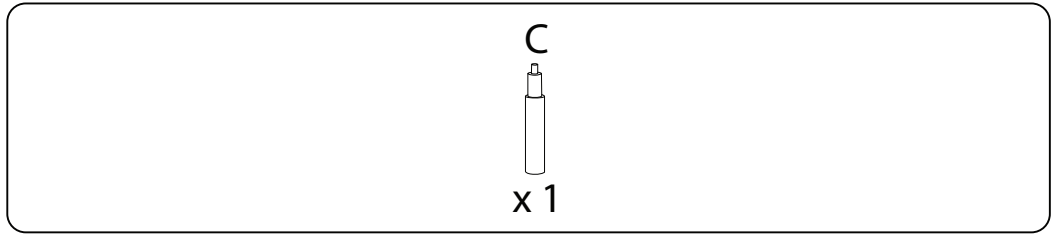
!



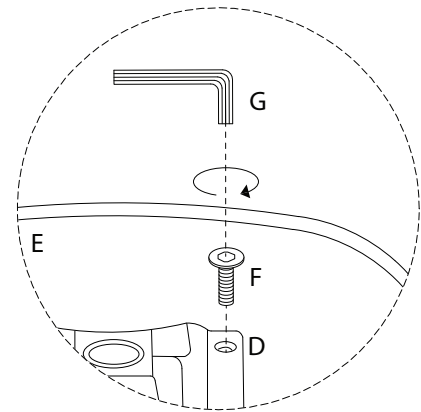
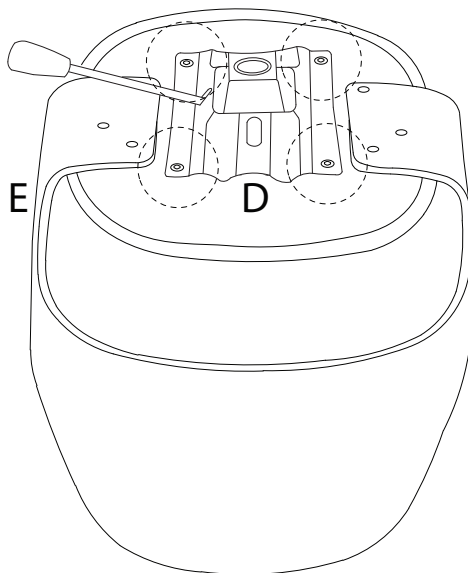
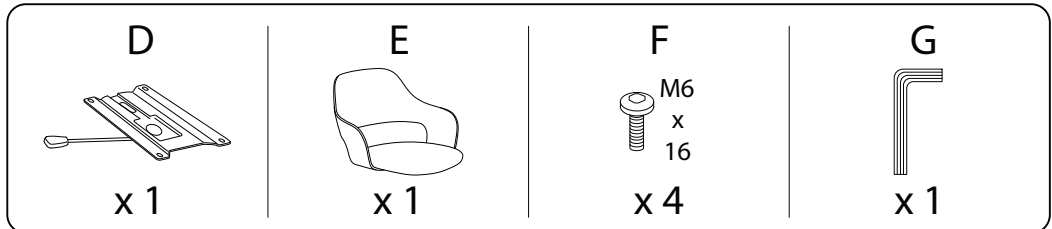
1



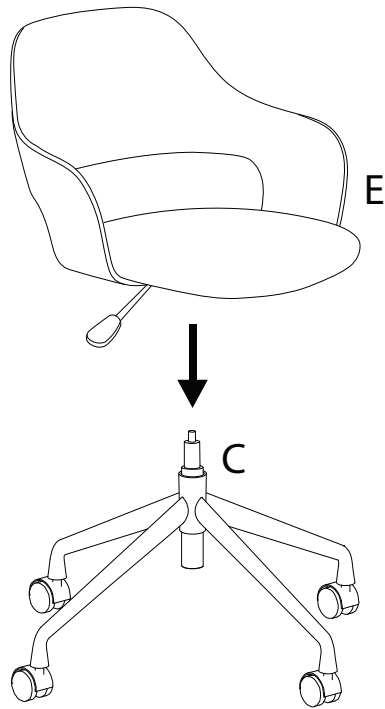
2



3



4



!

