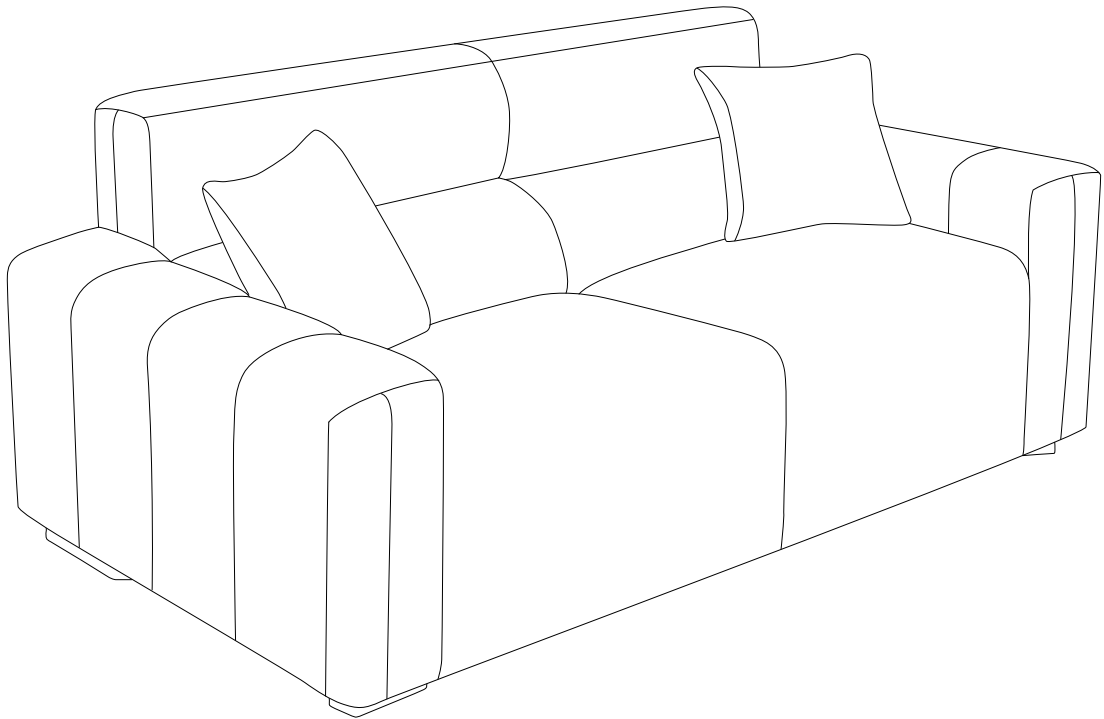


FAUSKAN



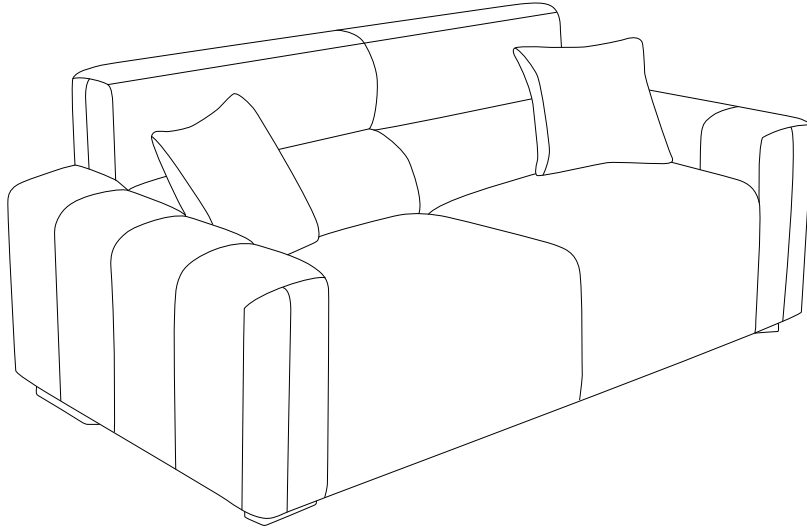
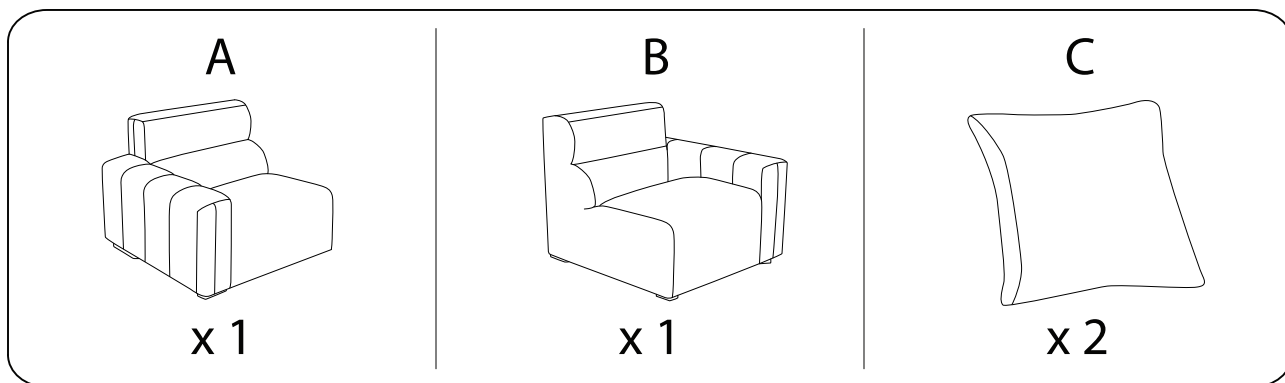
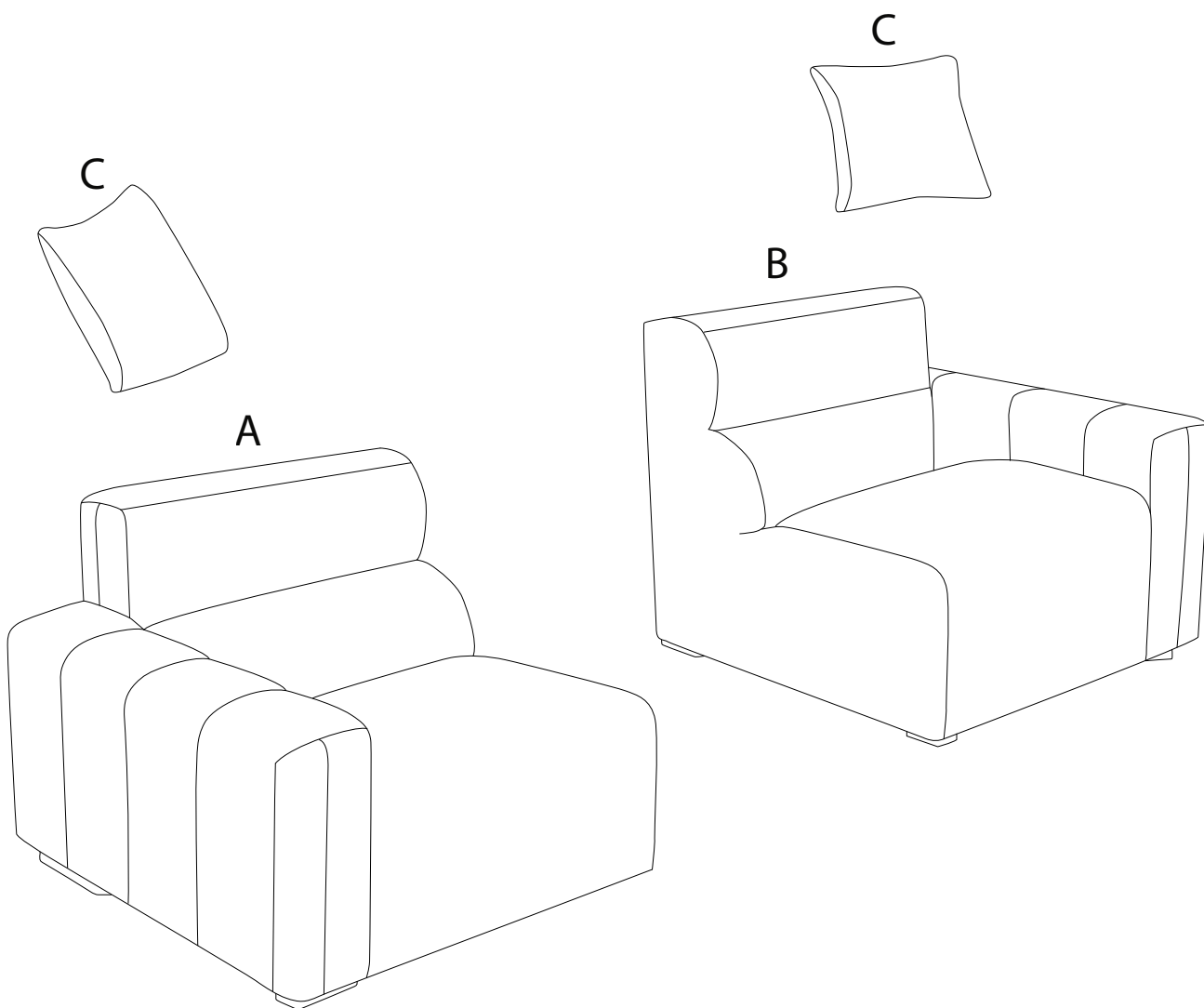
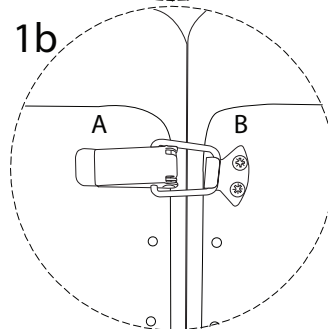
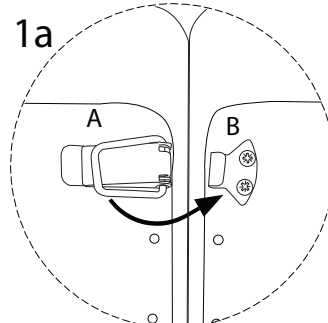
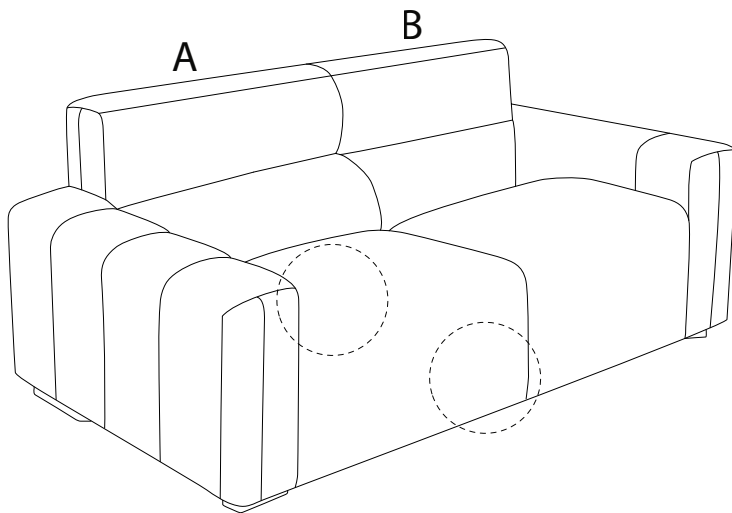
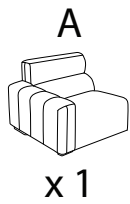


Diagram illustrating assembly instructions and warnings:

- Warning 1:** A crossed-out power drill icon indicates that a power drill should not be used for this step.
- Warning 2:** A warning triangle with an exclamation mark is positioned above the second warning box.
- Time:** A clock icon with a circular arrow indicates a 10-minute duration for this step.
- Warning 3:** A warning triangle with an exclamation mark is positioned above the third warning box.
- Personnel:** An icon of a person indicates that 2 people are required for this step.



1



2

