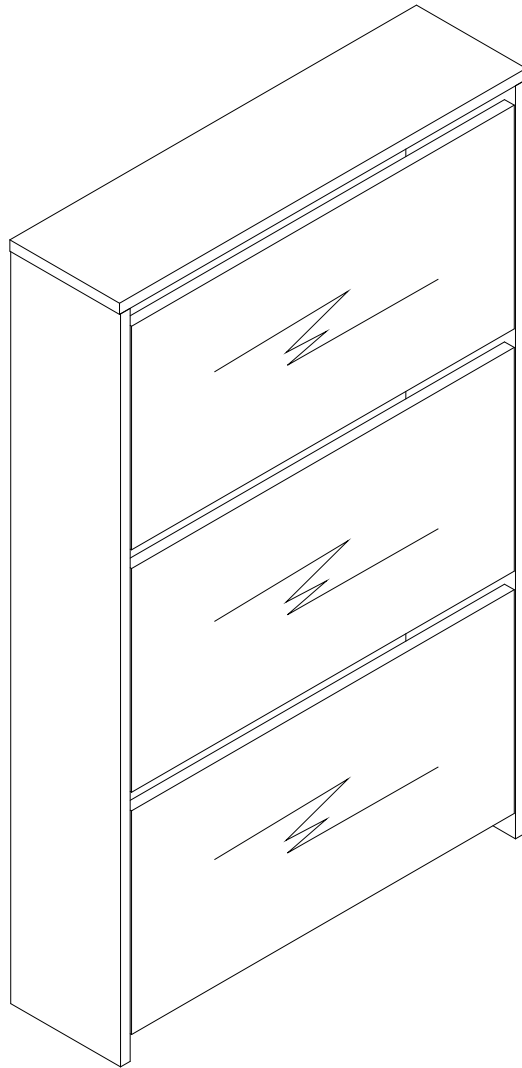
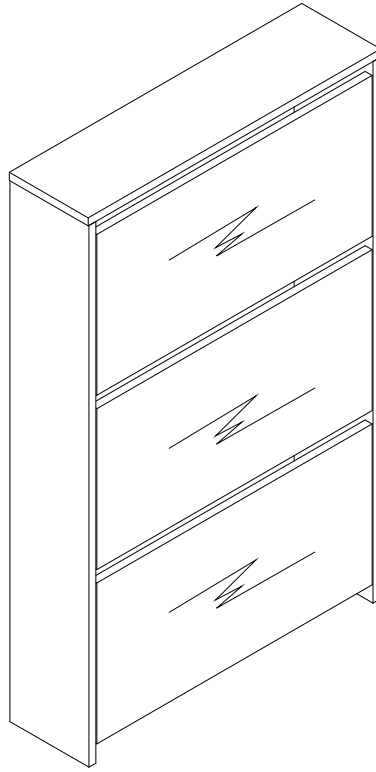
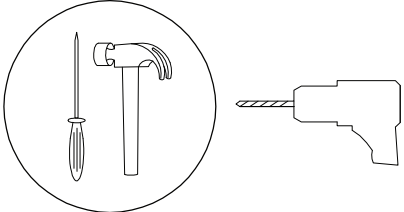

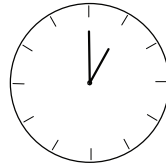
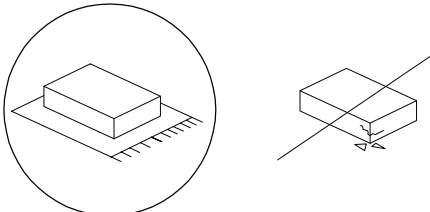


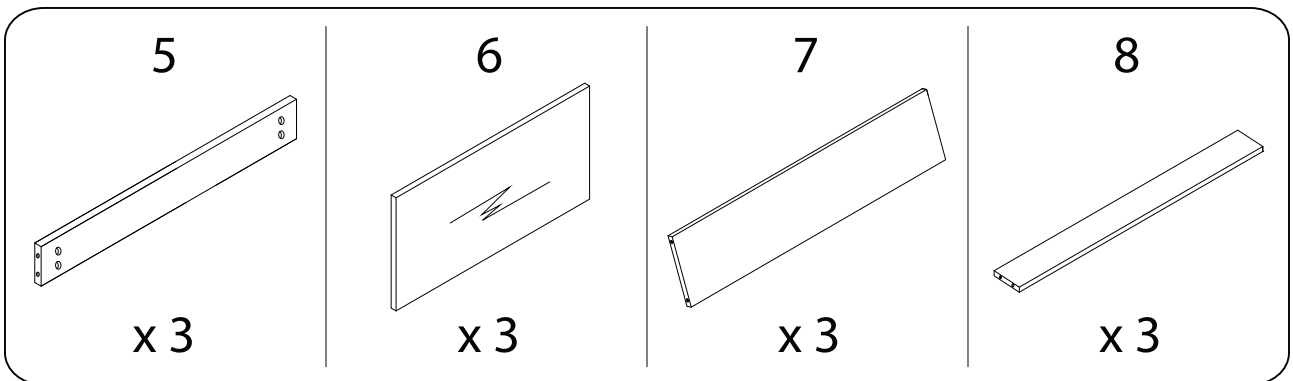
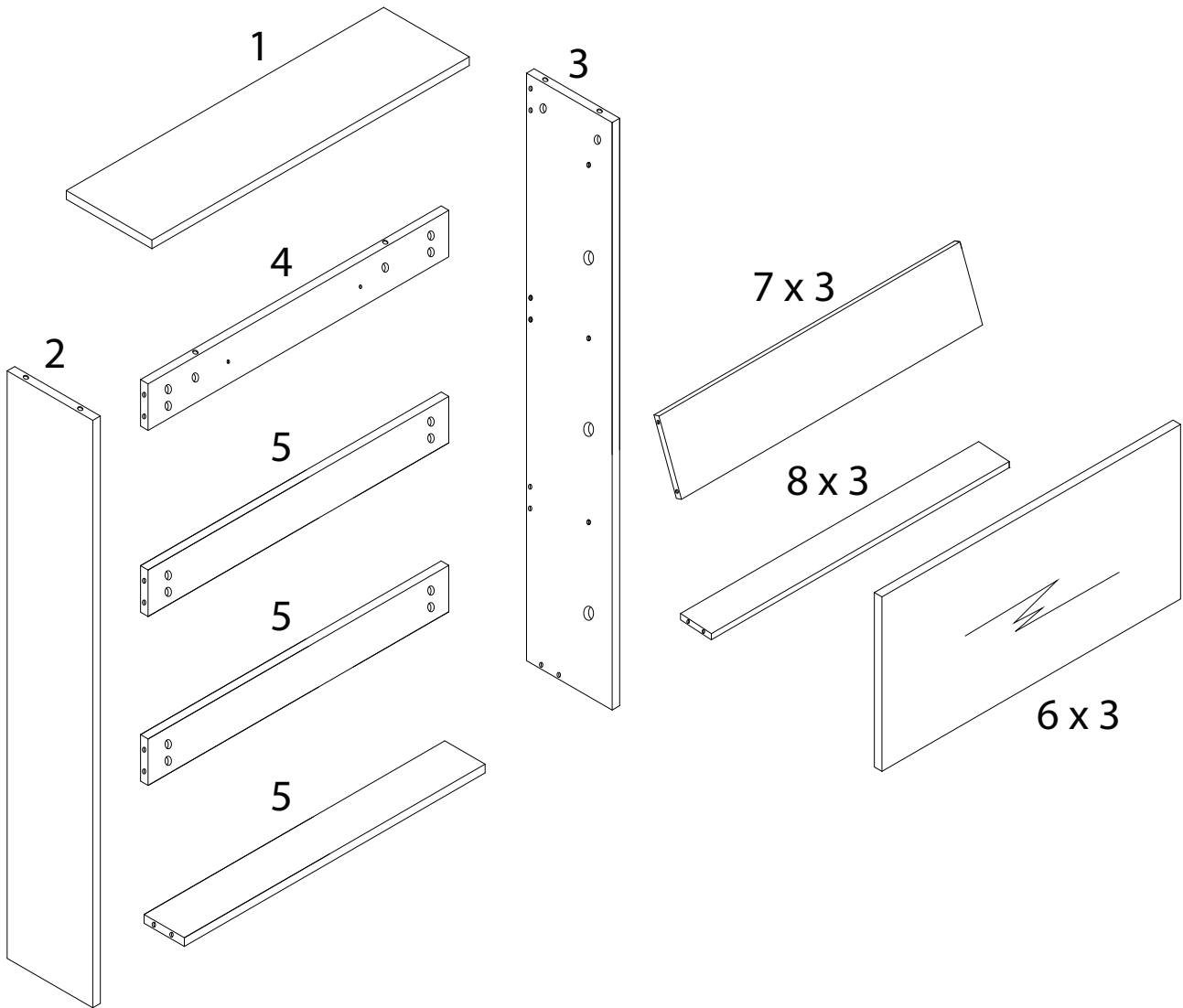
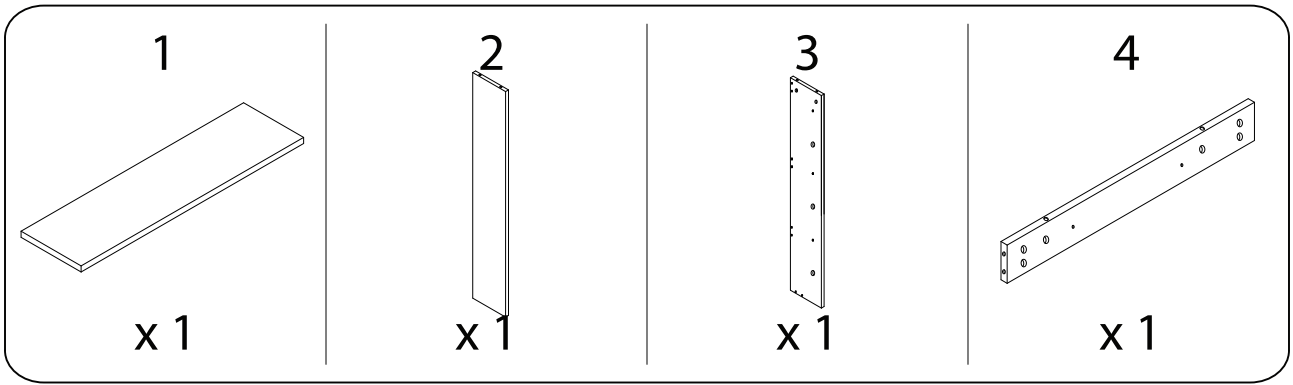


MIDFIELD





		
		
60'		
2		

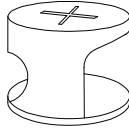


A1



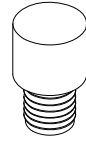
x 22

A2



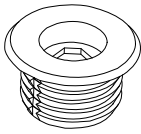
x 22

B



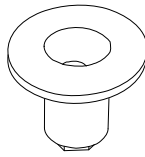
x 6

C



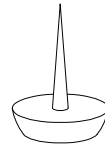
x 6

D



x 6

E



x 4

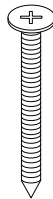
F



M3
x
14

x 48

G



M4
x
50

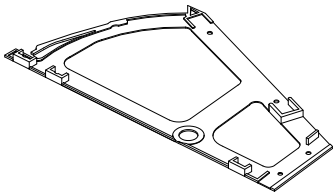
x 2

H



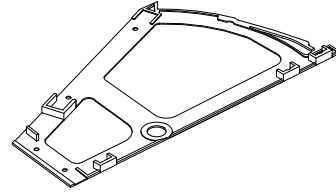
x 2

L



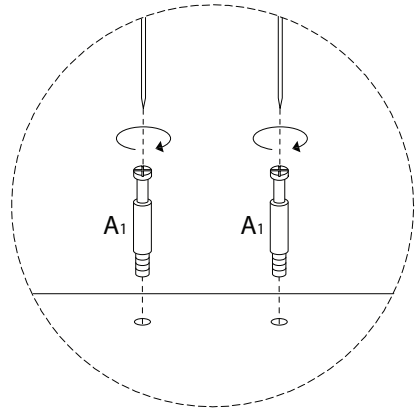
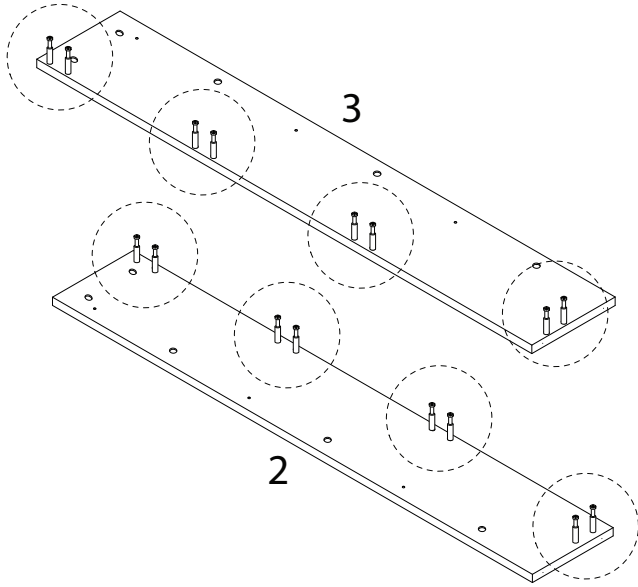
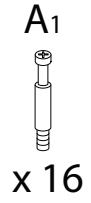
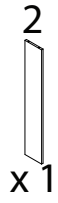
x 3

R

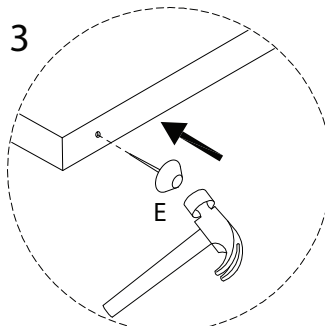
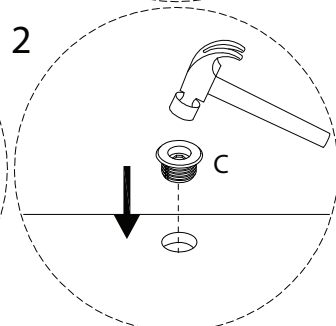
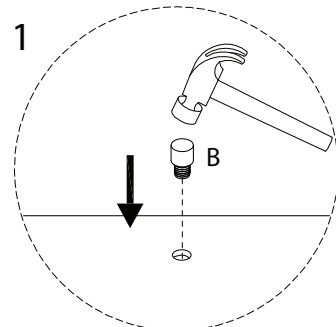
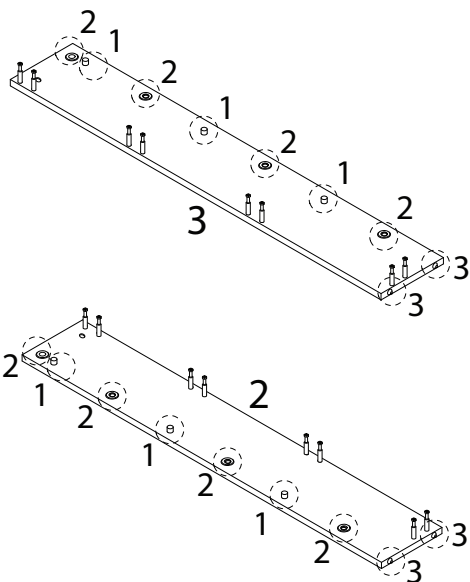
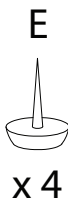
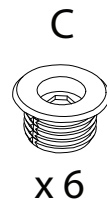
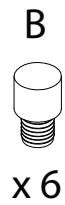


x 3

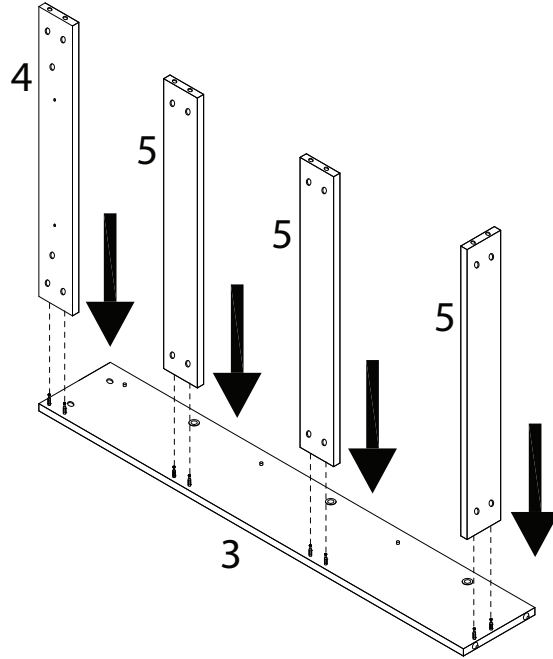
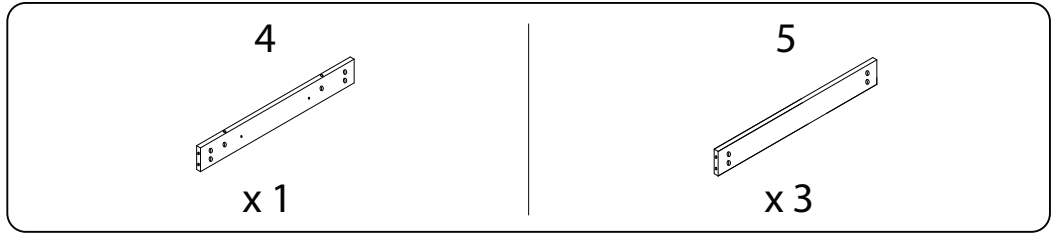
1



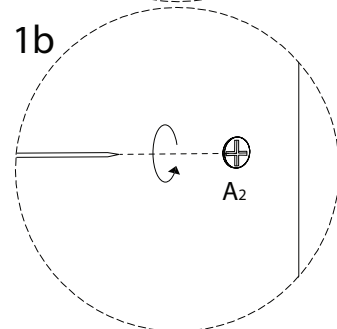
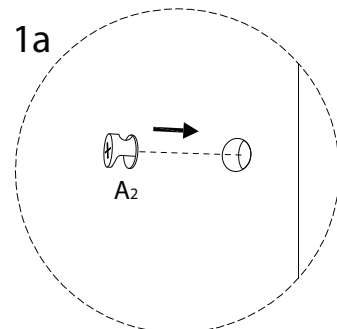
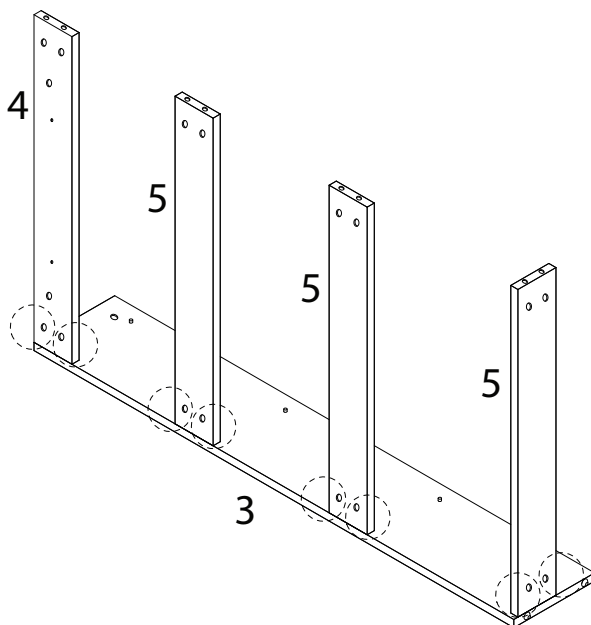
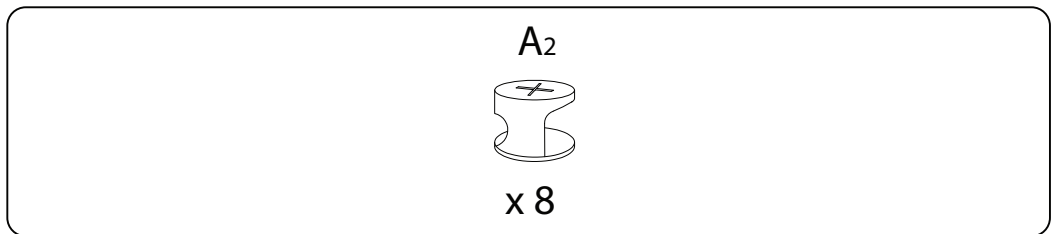
2



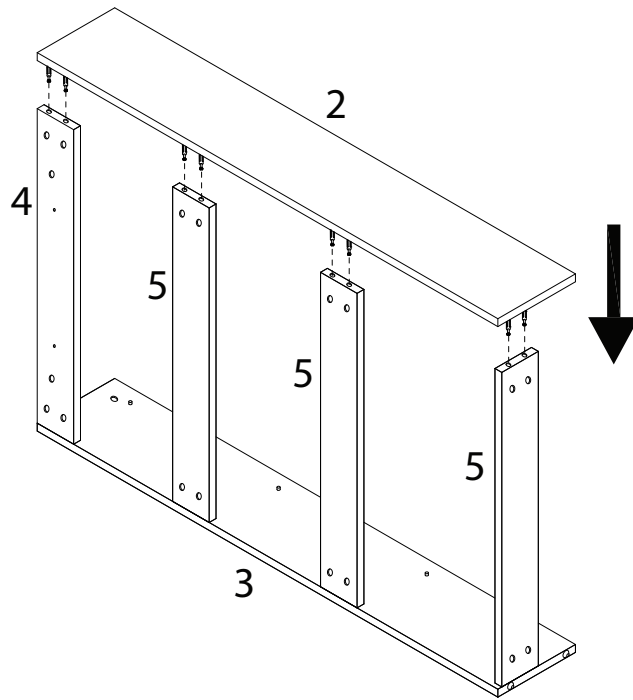
3



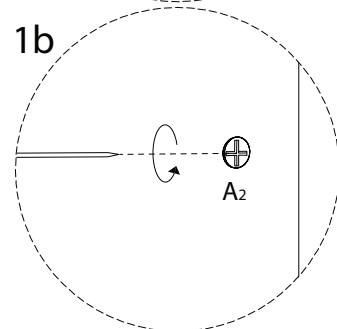
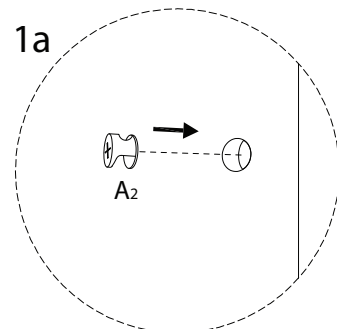
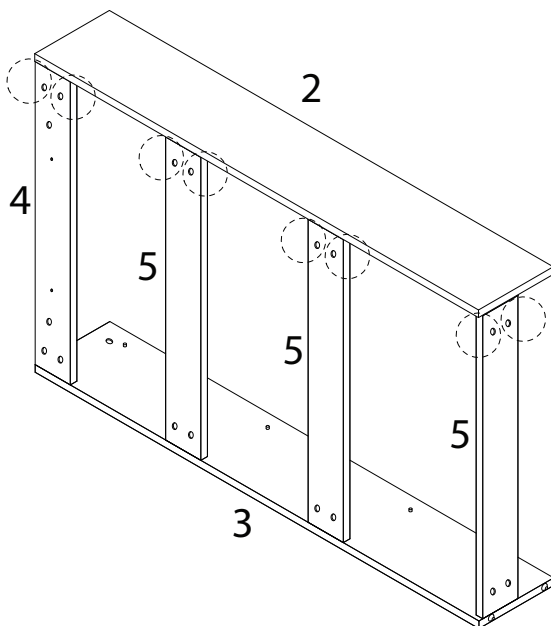
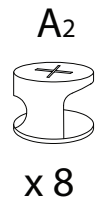
4



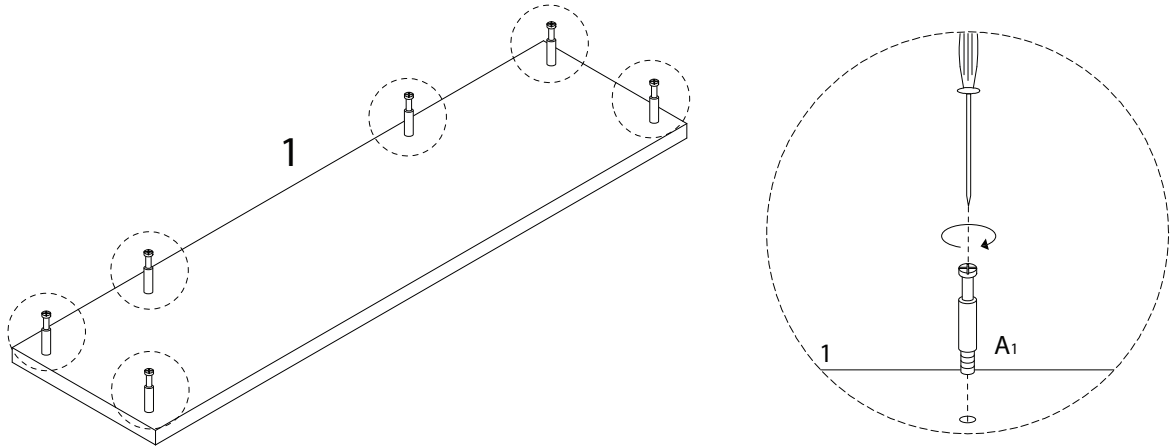
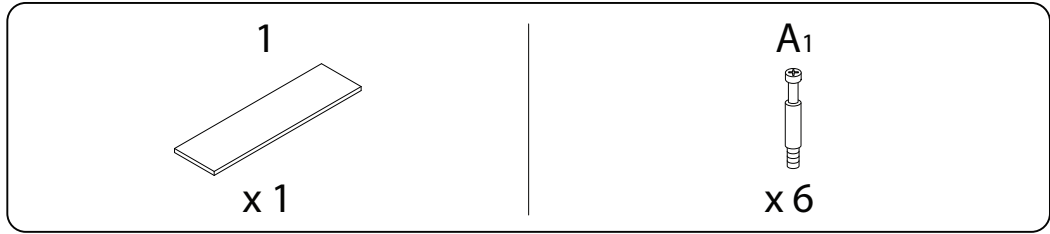
5



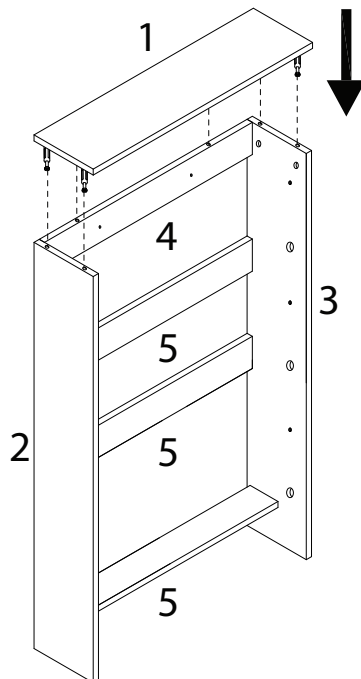
6



7



8

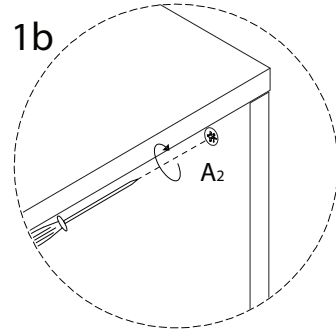
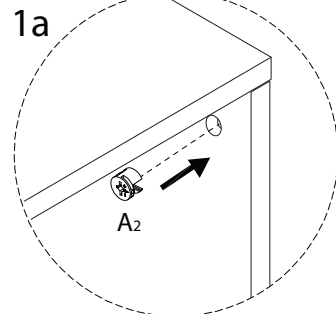
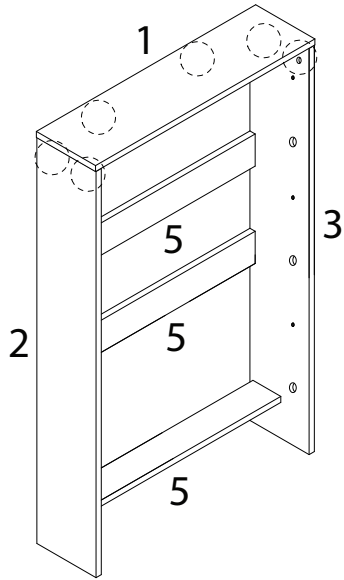


9

A₂

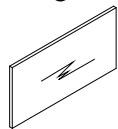


x 6



10 x 3

6



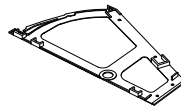
x 1

F



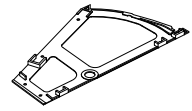
x 6

L

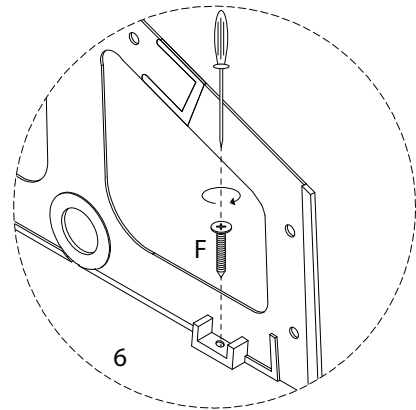
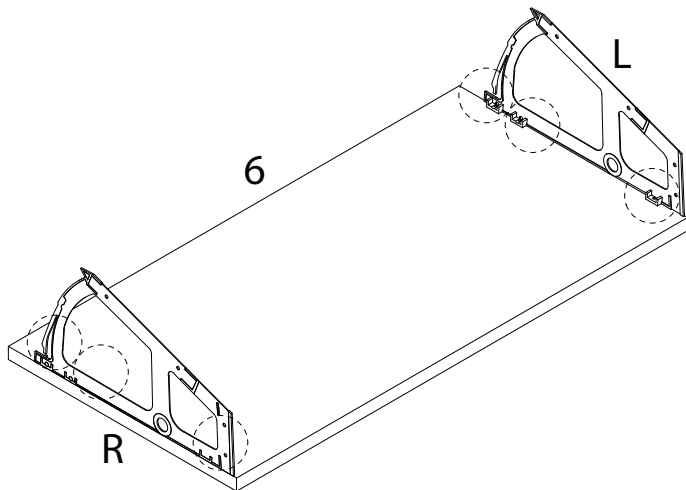


x 1

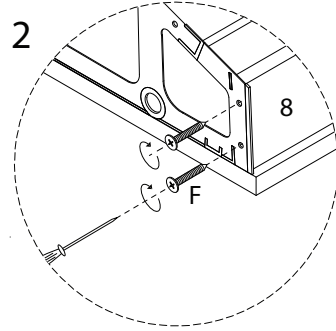
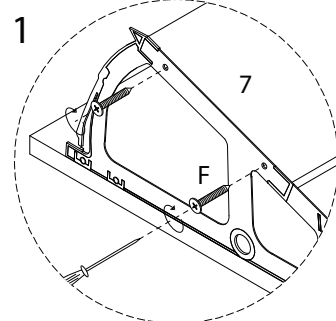
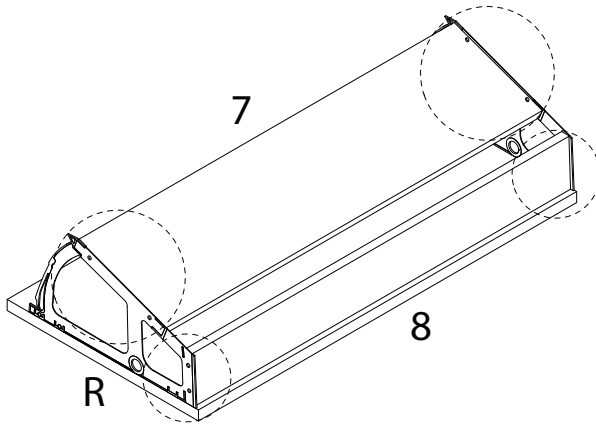
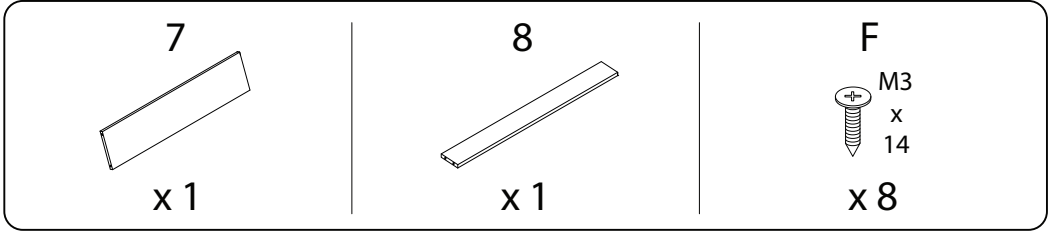
R



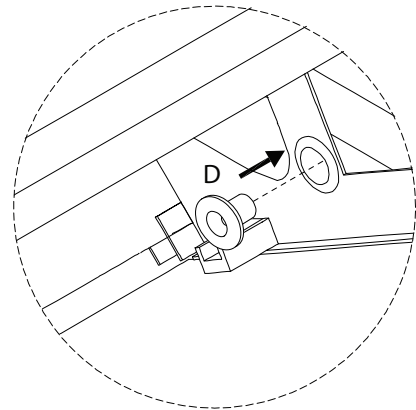
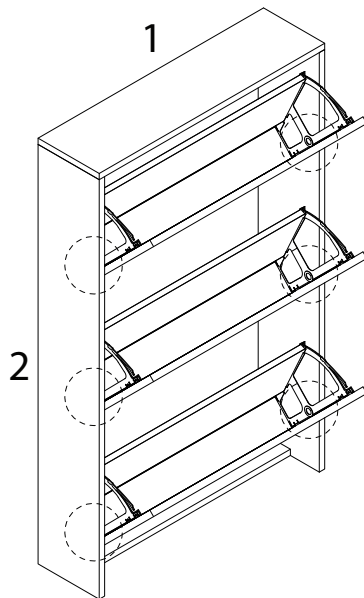
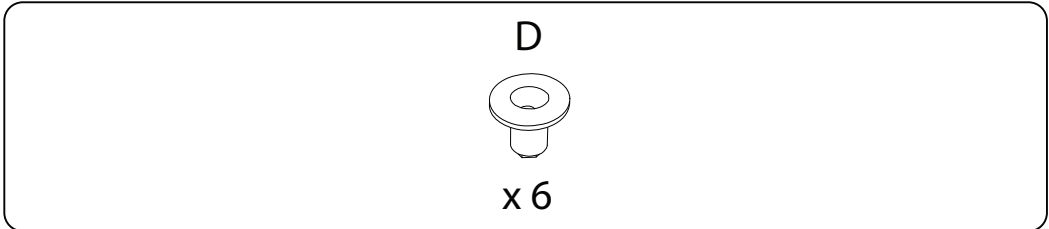
x 1



11 x 3

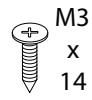


12

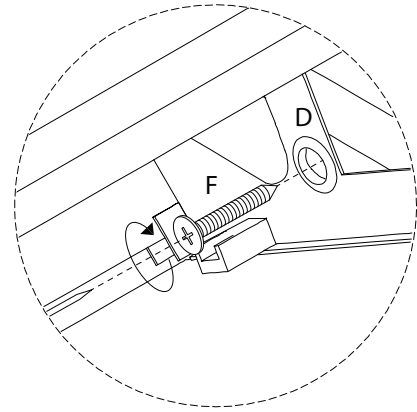
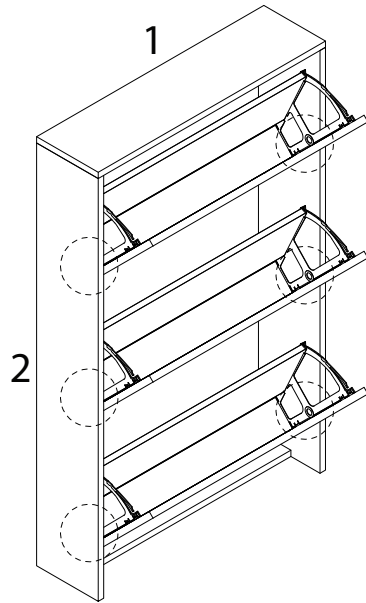


13

F

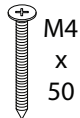


x 6



14

G



x 2

H



x 2

