

# Montageanleitung: Säulenhubtisch ST08 / ST88

Stand 09/2023



|                     |  |
|---------------------|--|
| Sie benötigen:      |  |
| 1 x SW5 (liegt bei) |  |
| 500279              |  |

|                                      |             |                                   |   |  |                                  |                                    |
|--------------------------------------|-------------|-----------------------------------|---|--|----------------------------------|------------------------------------|
| 1 x (A)<br>(oder/ or)<br><br>Ø 0.80m | 1 x (C)<br> | 2 x (D)<br><br>4,5 x 25<br>104697 | 5 x (E)<br>2 x<br>104696 + 3 x<br>104695<br>oder<br>5 x (F)<br><br>104697 | 2 x (G)<br><br>104698<br>M6 x 20<br>oder<br>2 x (H)<br><br>508247<br>M6 x 30 | 1 x (J)<br><br>104027<br>Ø 60 mm | 12 x (K)<br><br>509599<br>6,3 x 25 |
|--------------------------------------|-------------|-----------------------------------|---|--|----------------------------------|------------------------------------|

**1**

5 x (E) oder/ or 5 x (F)

**2**

5 x (F)

**3**

2 x (G) (M6 x 20)

chrom

**4**

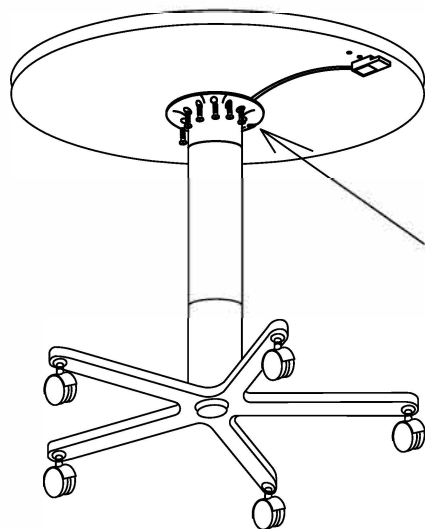
2 x (H) (M6 x 30)

schwarz/ black

oder/ or

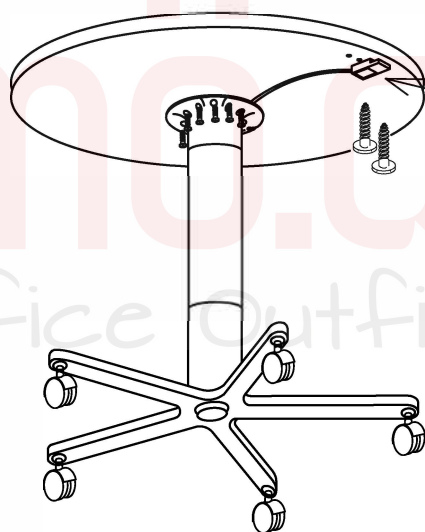
# Montageanleitung : Säulenhubtisch ST08 (ST88)

5



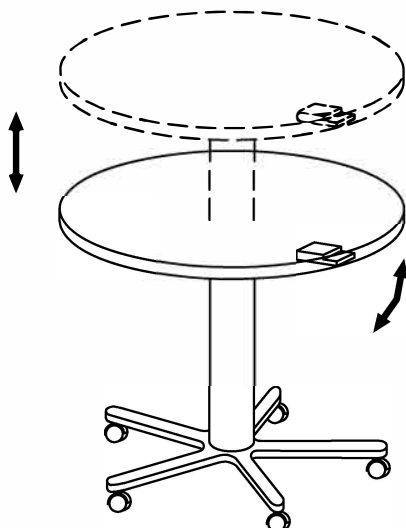
12 x (K)  
(6,3 x 25)

6



2 x (D)  
(4,5 x 25)

7



114 cm

72 cm