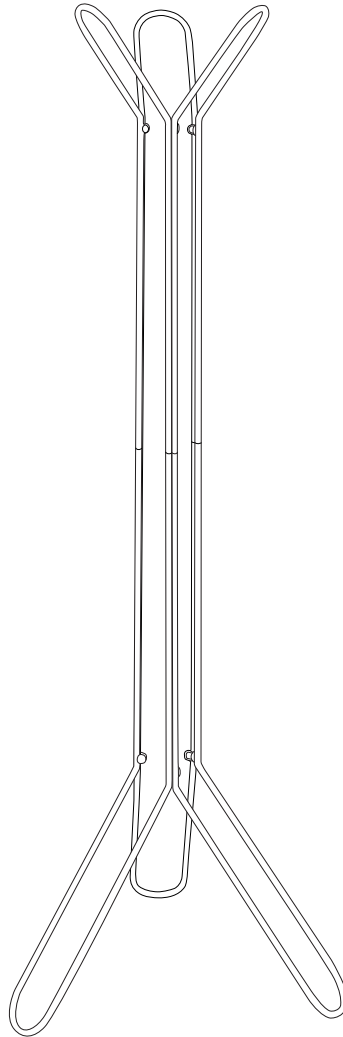
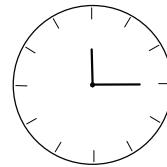
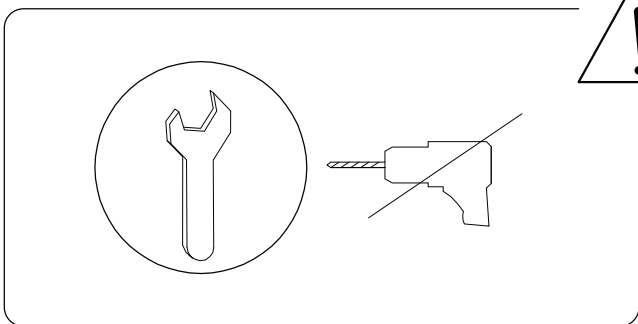
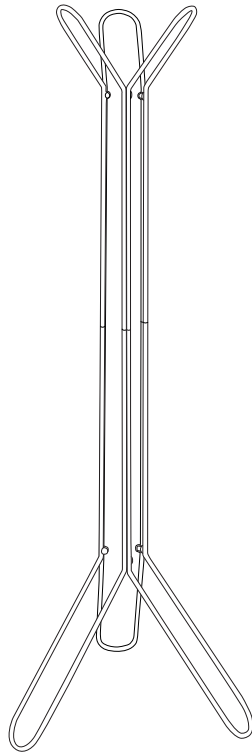
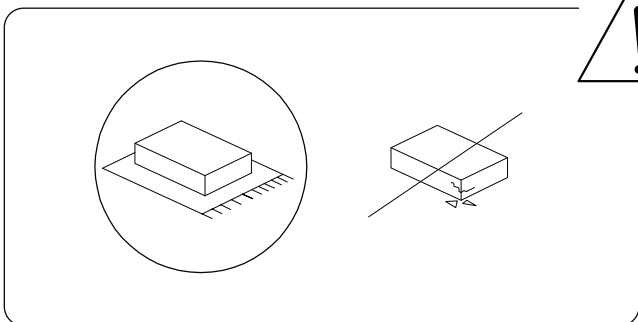


BRITTON

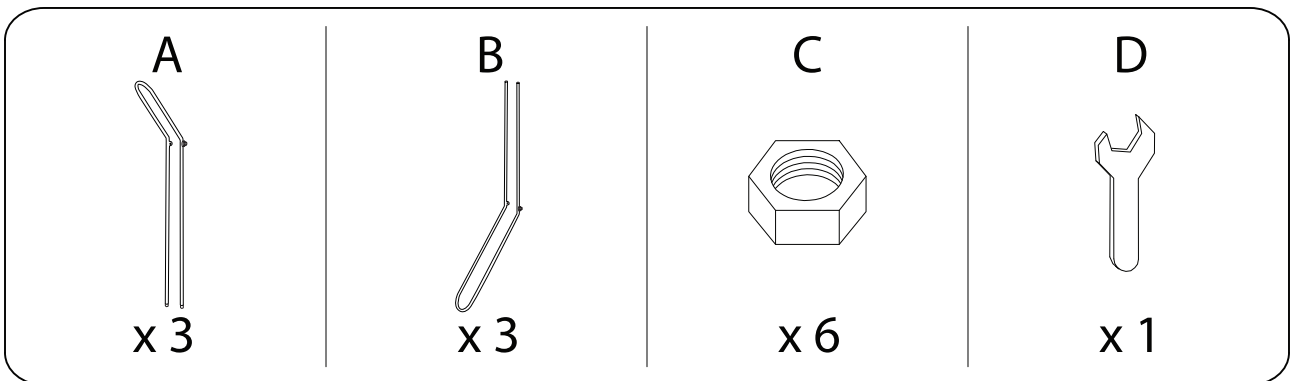
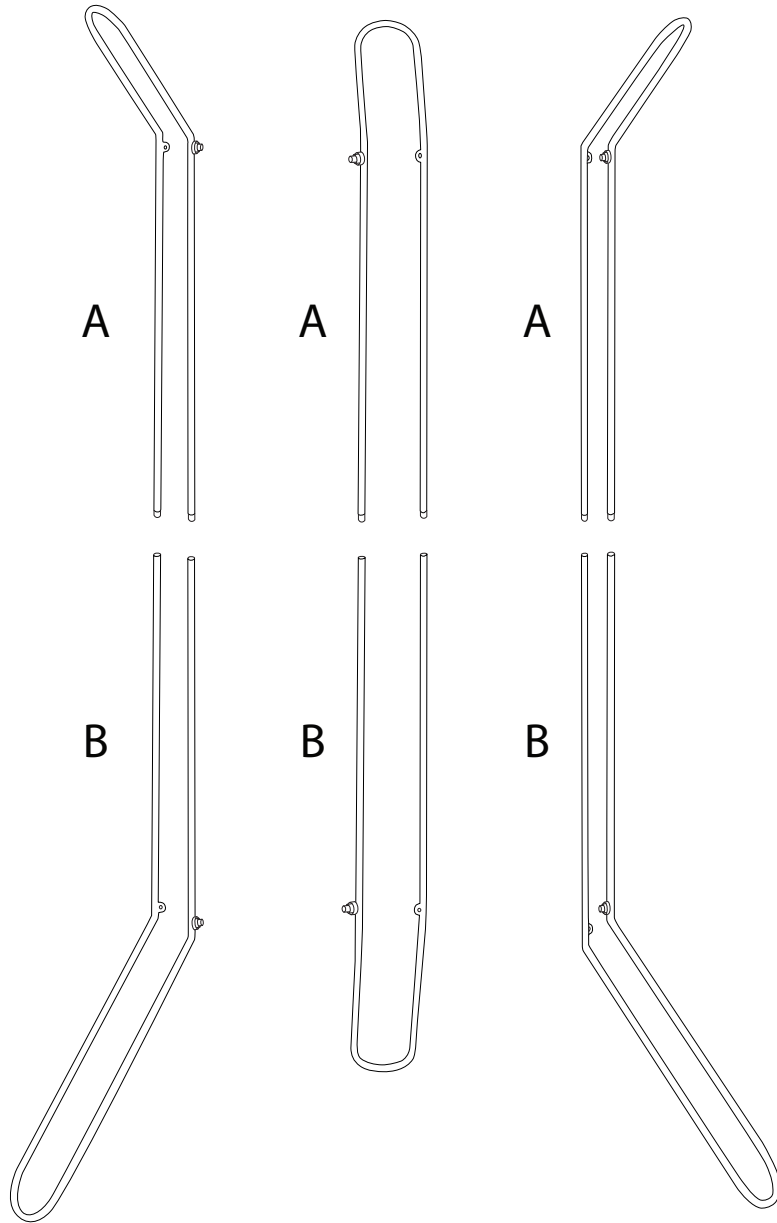




15'



2



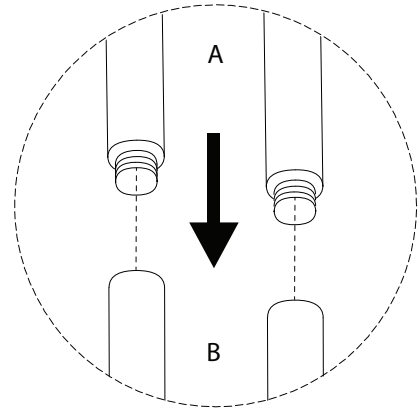
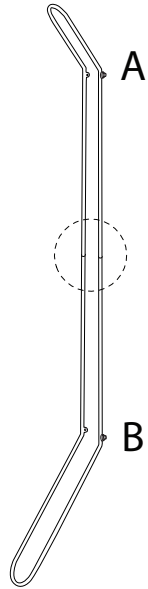
1 x 3

A

x 1

B

x 1



2

C



x 6

D



x 1

