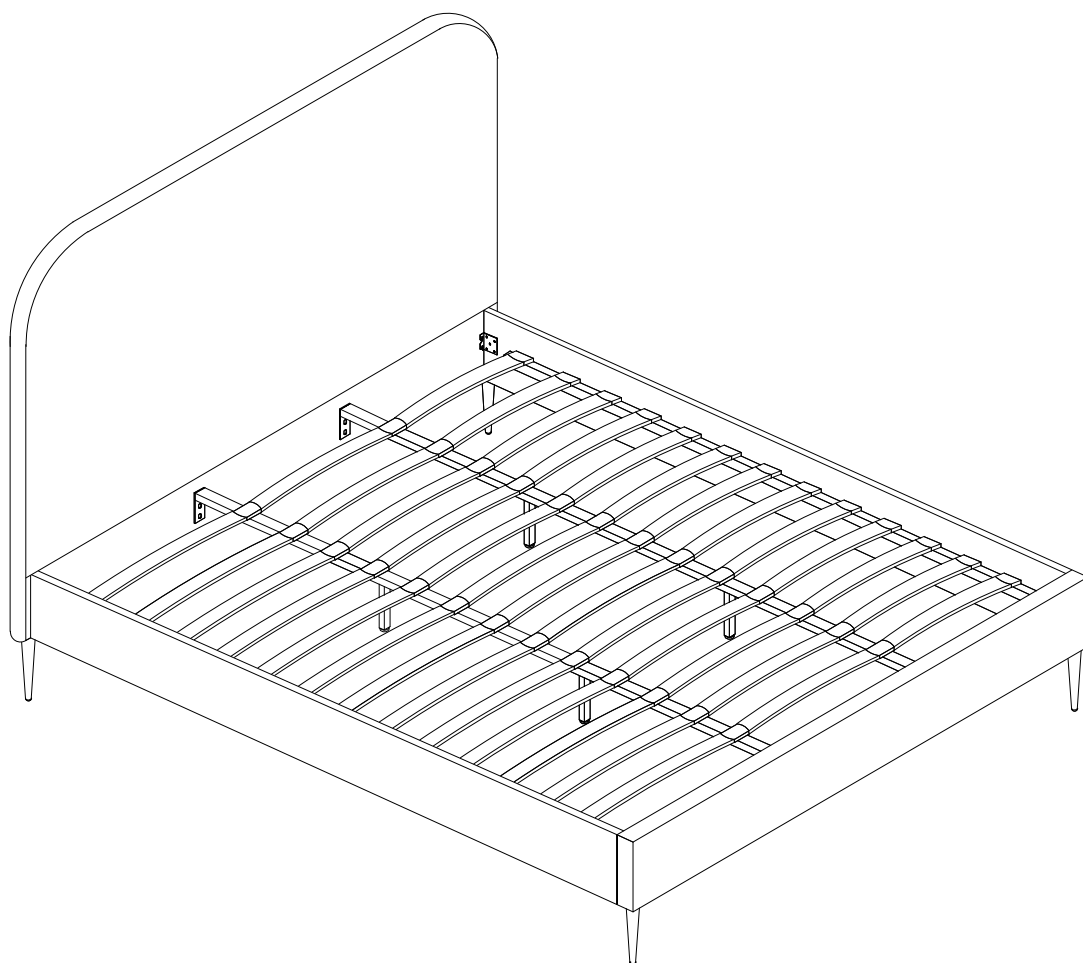
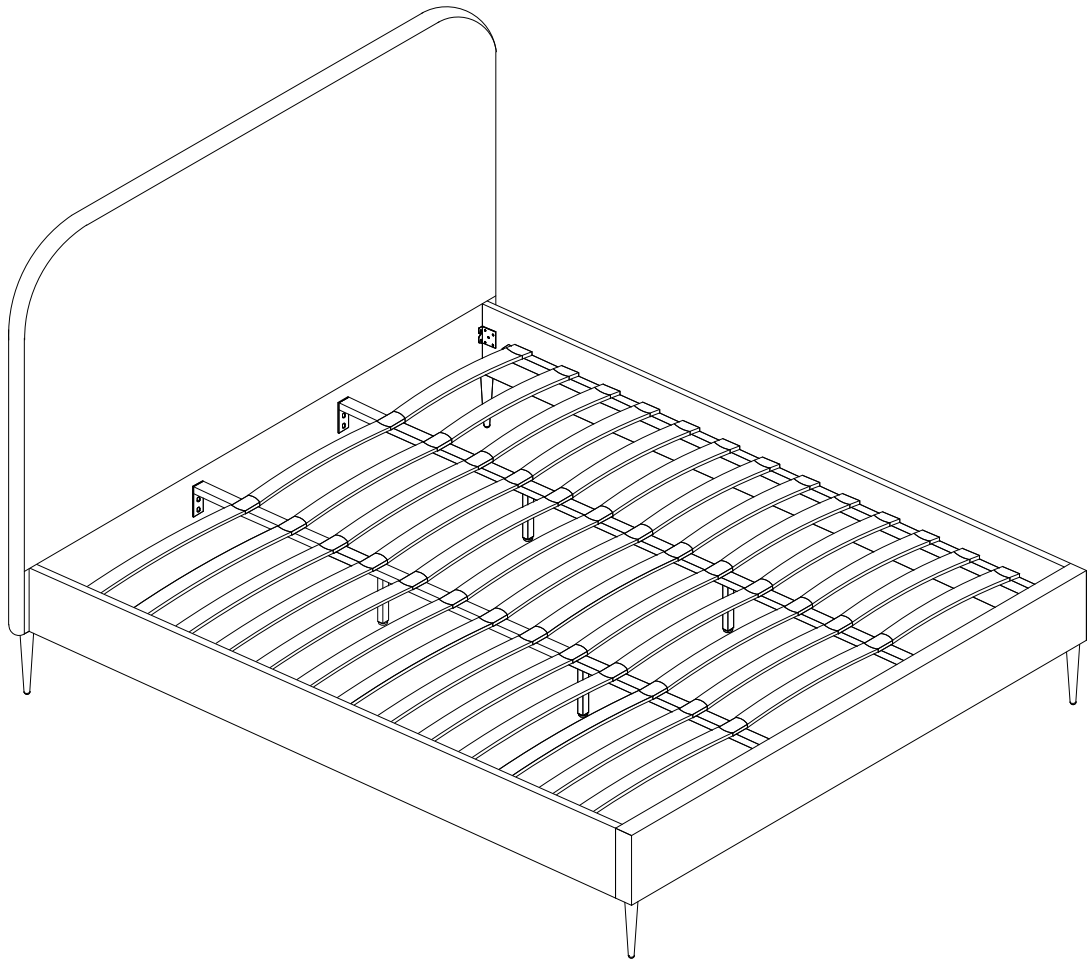


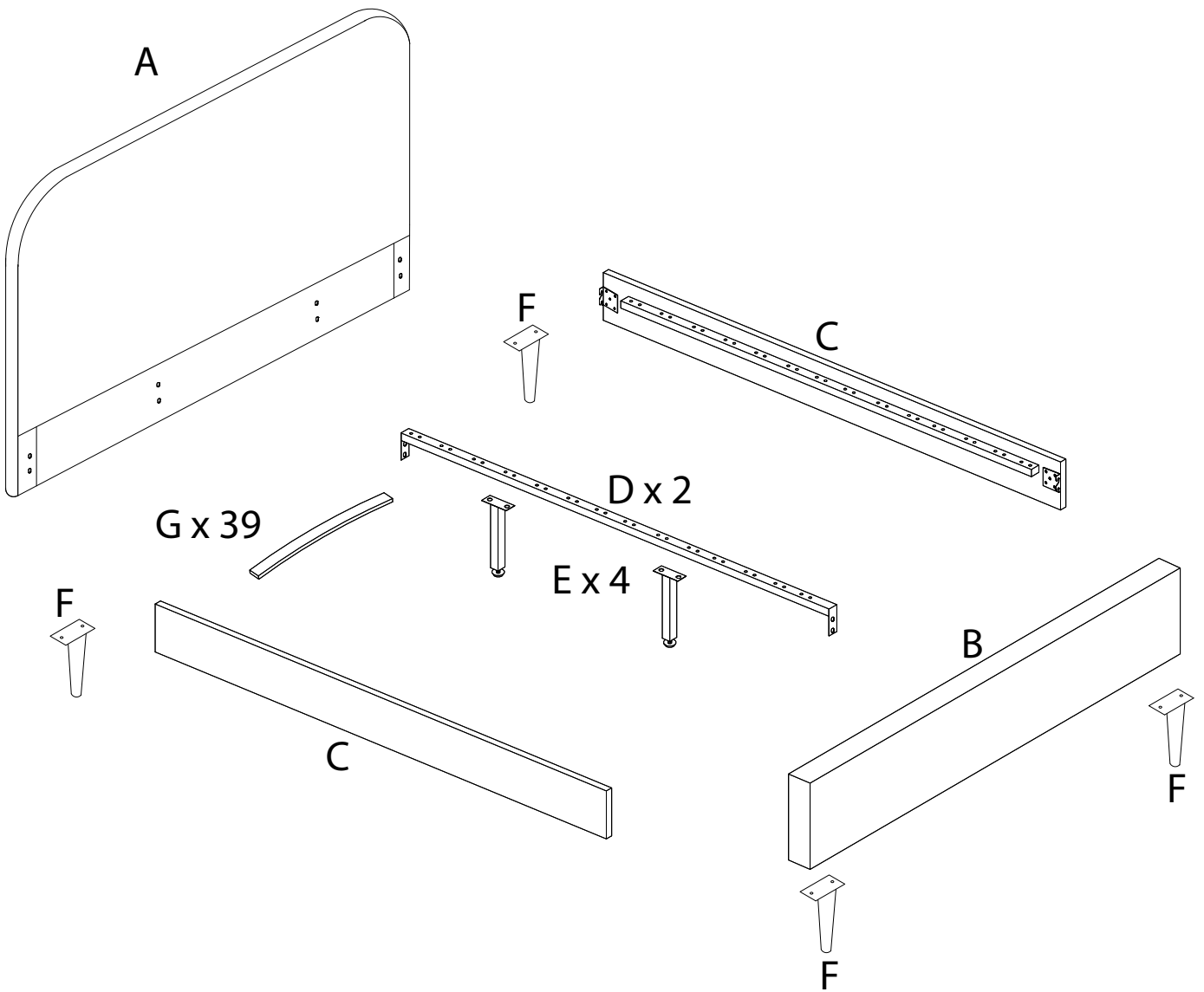
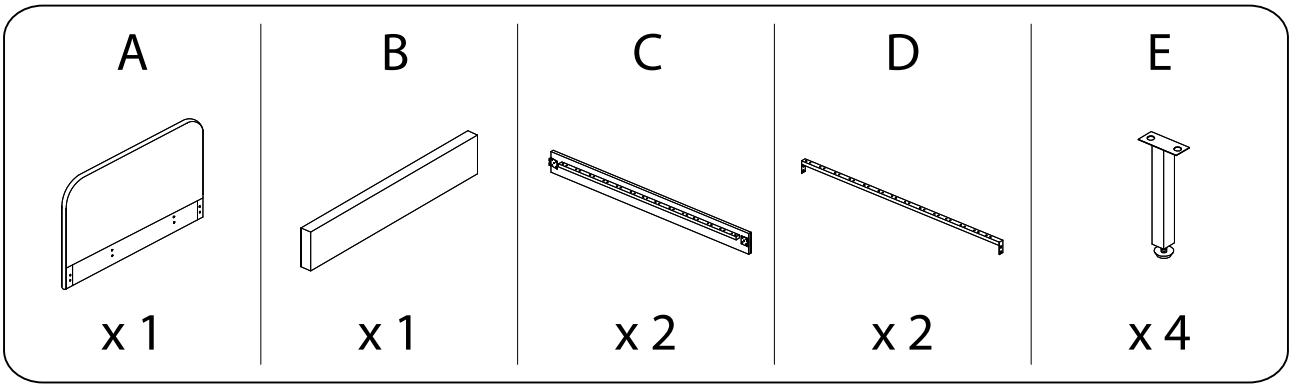
# FLAYAT



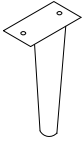


Assembly instructions for step 1/7:

- Tools:** A circle containing an Allen key and a wrench, and a crossed-out power drill icon, indicating that manual tools are required and power tools should not be used.
- Warning:** A triangle with an exclamation mark, indicating a warning or important instruction.
- Time:** A clock icon with the text "30'", indicating that this step should take approximately 30 minutes.
- Personnel:** A person icon with the number "2", indicating that two people are required for this step.
- Diagram:** A circle showing a mattress being placed on the bed frame, and a crossed-out diagram showing a mattress being placed on a surface that is not the bed frame, indicating that the mattress should only be placed on the bed frame.

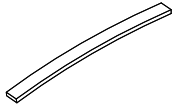


F



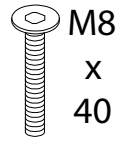
x 4

G



x 39

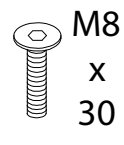
H



M8  
x  
40

x 8

I



M8  
x  
30

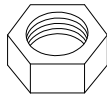
x 24

J



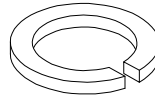
x 1

K



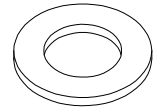
x 8

L



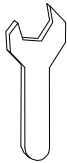
x 32

M



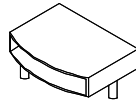
x 32

N



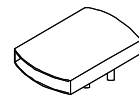
x 1

O



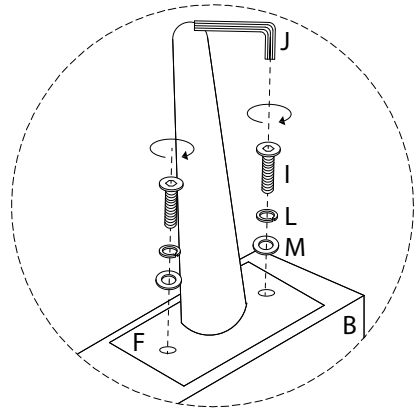
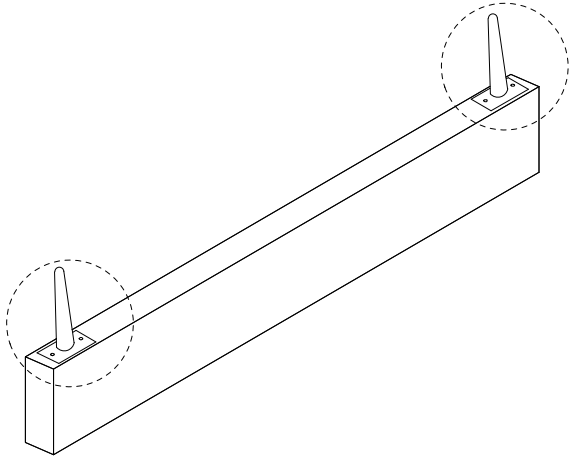
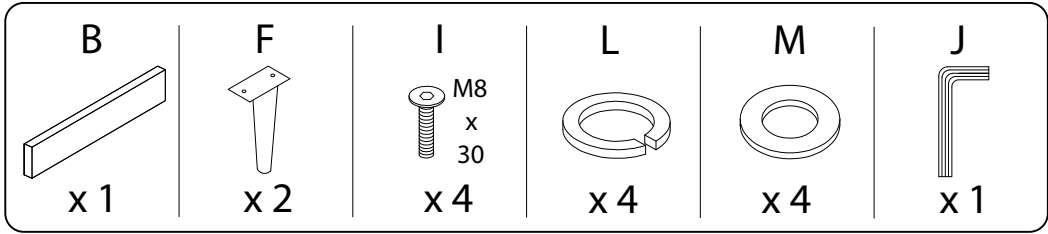
x 26

P

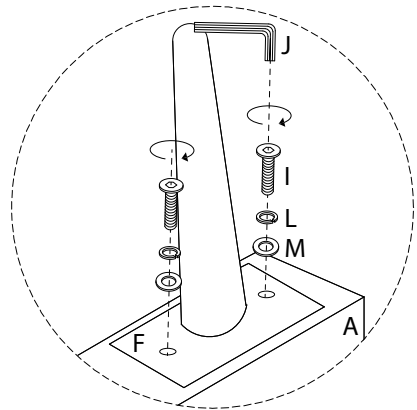
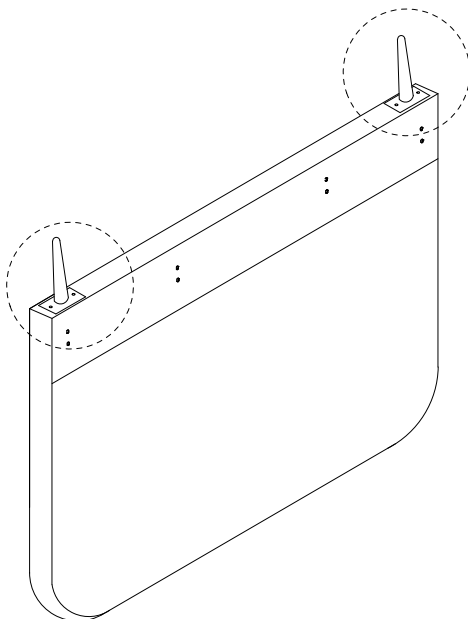
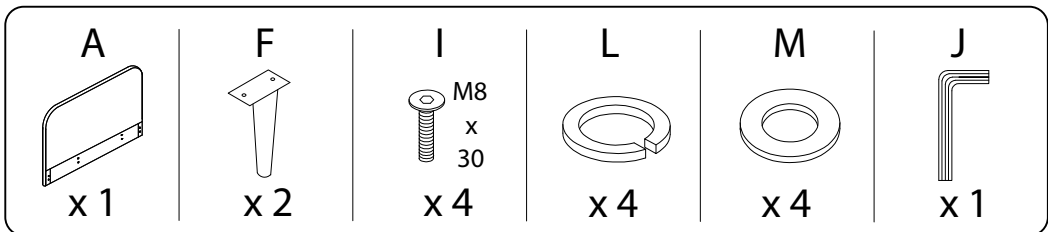


x 26

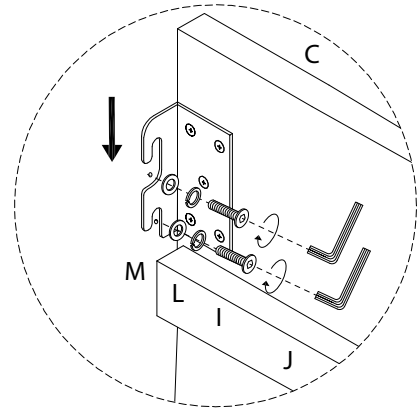
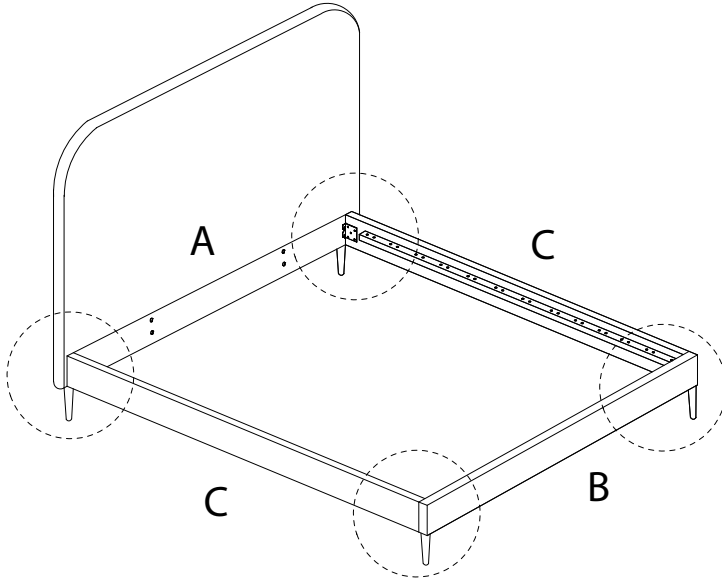
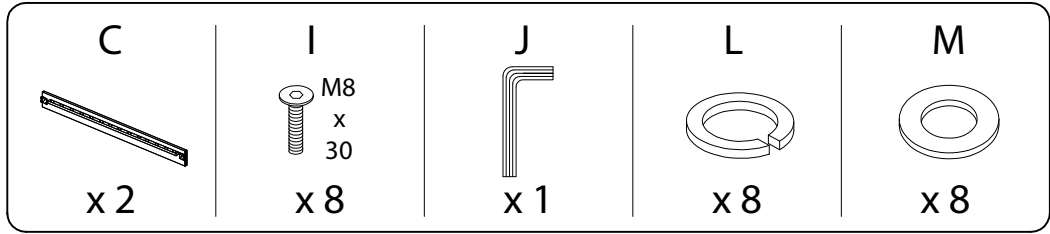
1



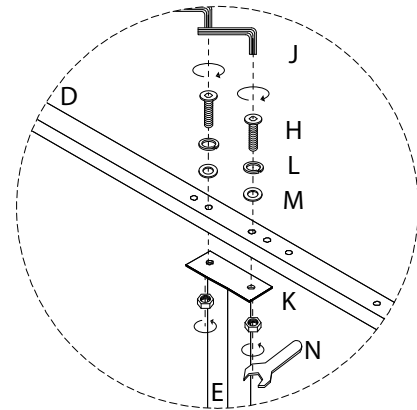
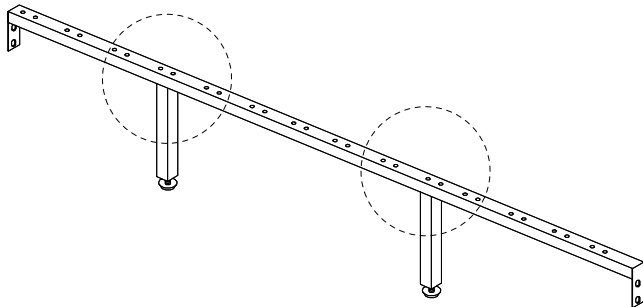
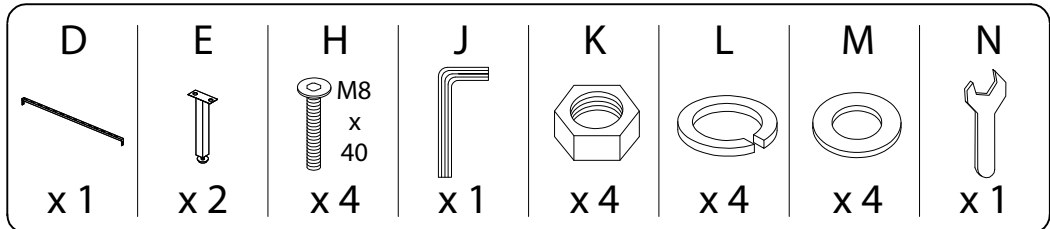
2



3



4 x 2



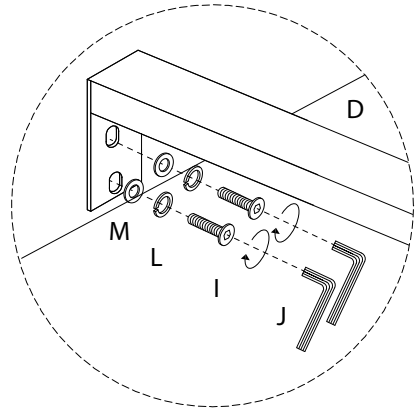
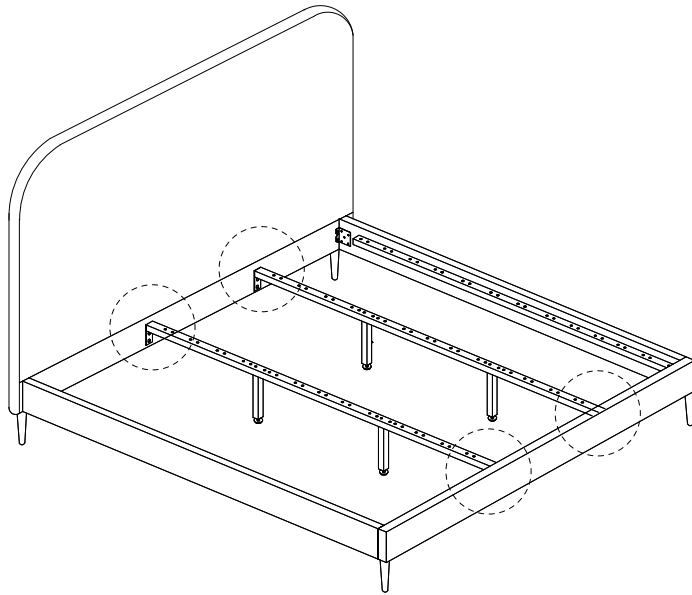
5

I  
M8  
x  
30  
x 8

J  
x 1

L  
x 8

M  
x 8

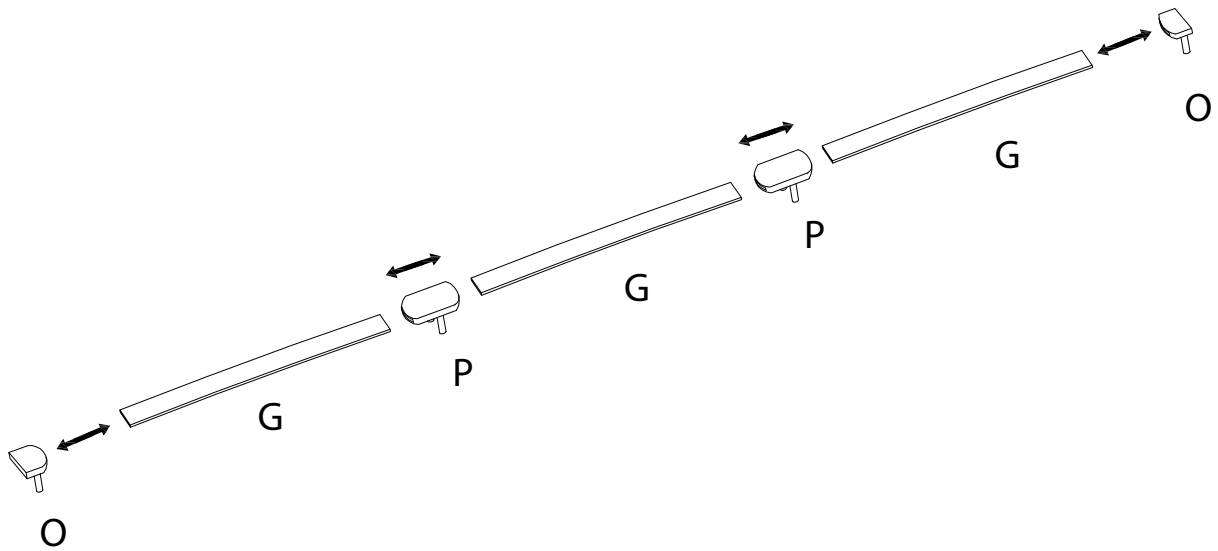


6 x 13

G  
x 3

O  
x 2

P  
x 2



7

