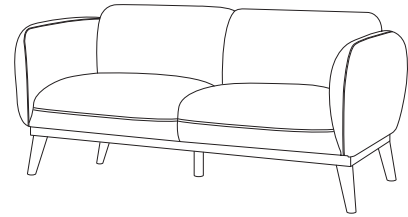
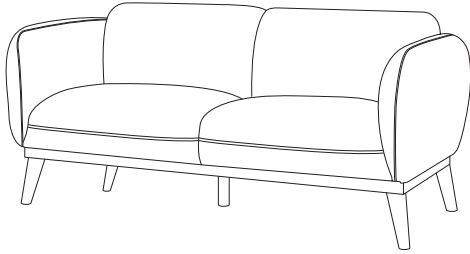


LJUNG



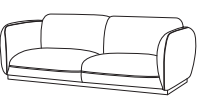


1/4







20'

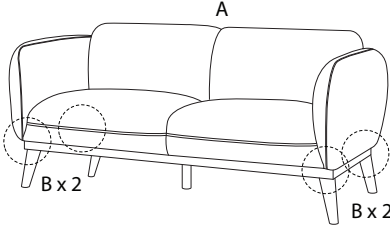
1

2/4

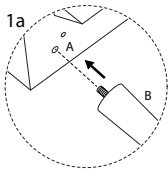
2352/LJUNG/140526/

 A x 1	 B x 4	 C x 1
-------------------------------------------------------------------------------------------------------	--------------------------------------------------------------------------------------------------------	--------------------------------------------------------------------------------------------------------

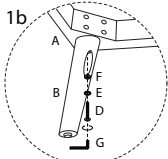
1	 A x 1	 B x 4	 D M8 x 50 x 4	 E x 4	 F x 4	 G x 1
----------	---------------------------------------------------------------------------------------------------------	----------------------------------------------------------------------------------------------------------	---------------------------------------------------------------------------------------------------------------------	----------------------------------------------------------------------------------------------------------	----------------------------------------------------------------------------------------------------------	----------------------------------------------------------------------------------------------------------

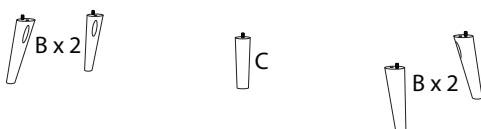
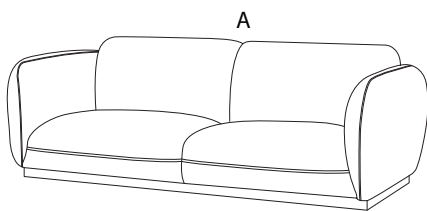



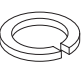
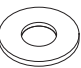

1a



1b



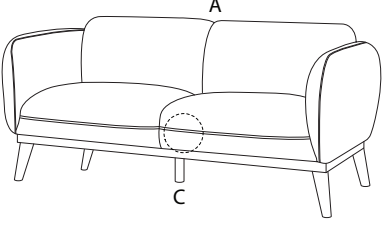



 D M8 x 50 x 4	 E x 4	 F x 4	 G x 1
-------------------------------------------------------------------------------------------------------------------	--------------------------------------------------------------------------------------------------------	--------------------------------------------------------------------------------------------------------	--------------------------------------------------------------------------------------------------------

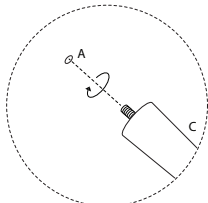
3/4

2352/LJUNG/140526/

2




C
 x 1



4/4

2352/LJUNG/140526/