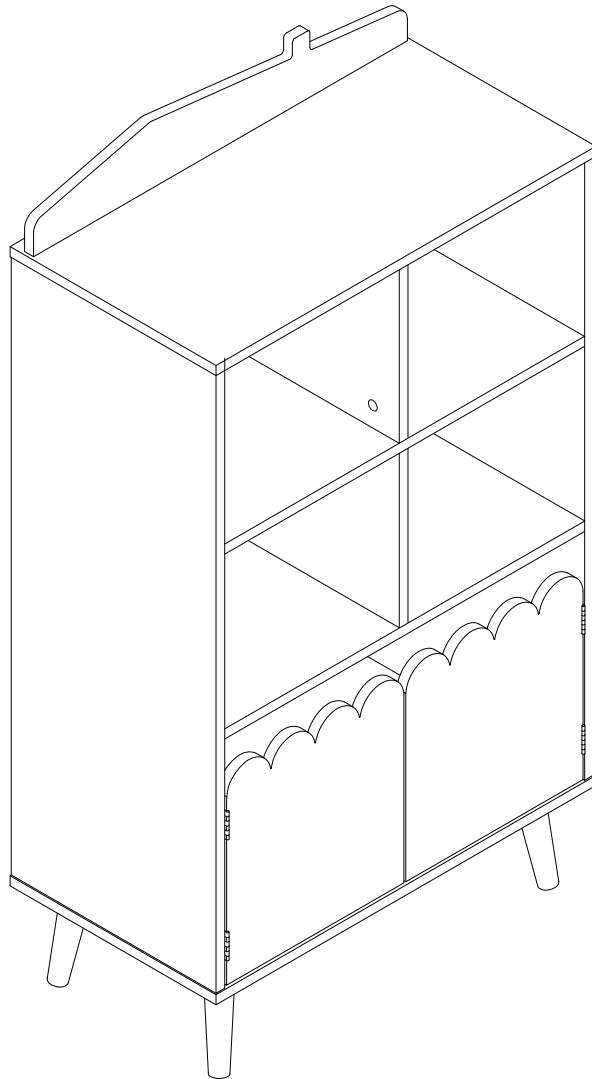
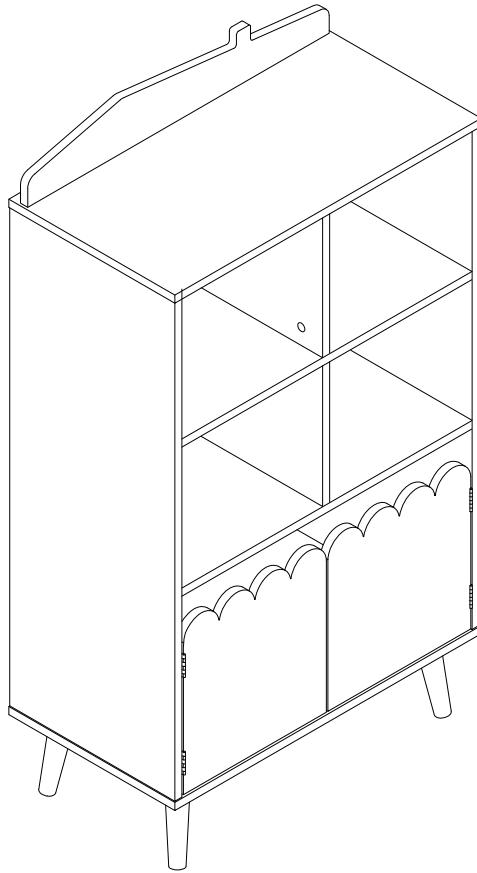
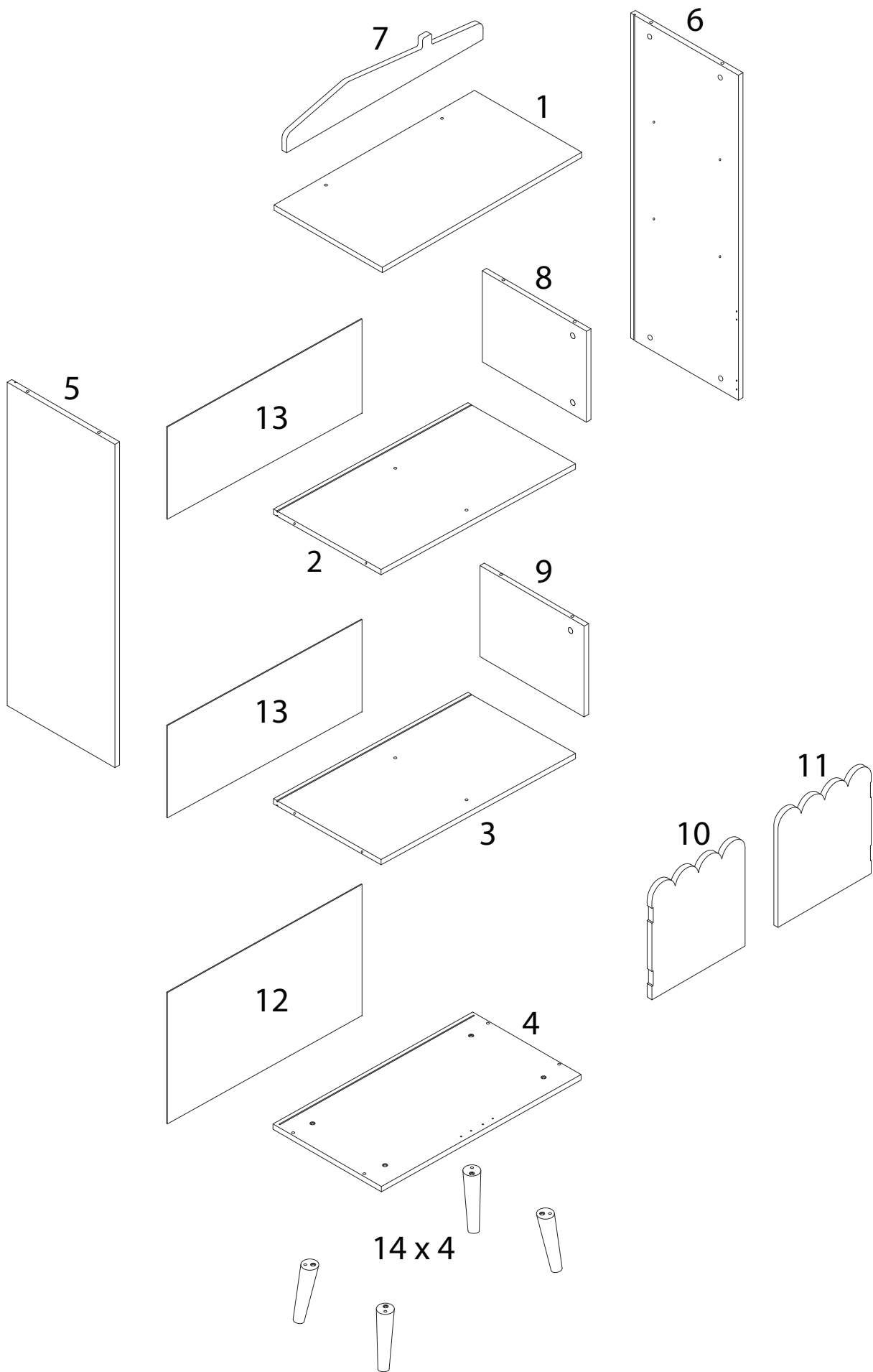


LACKEY

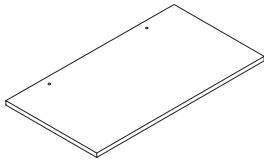




		45'
		2

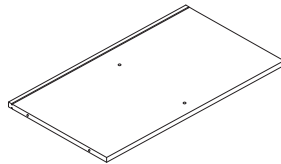


1



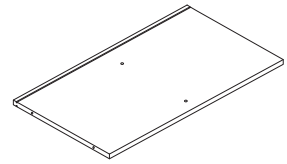
x 1

2



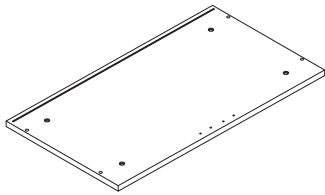
x 1

3



x 1

4



x 1

5



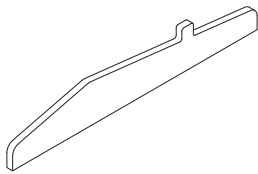
x 1

6



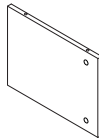
x 1

7



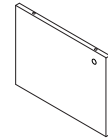
x 1

8



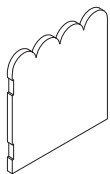
x 1

9



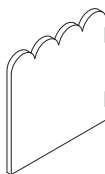
x 1

10



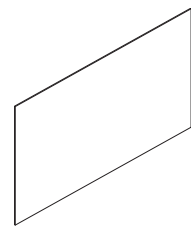
x 1

11



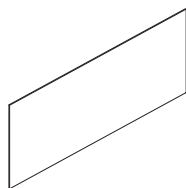
x 1

12



x 1

13



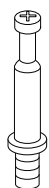
x 2

14



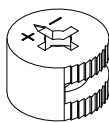
x 4

A



x 21

B



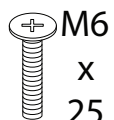
x 21

C



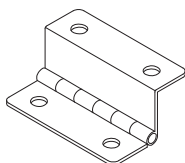
x 7

D



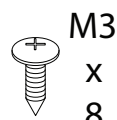
x 4

E



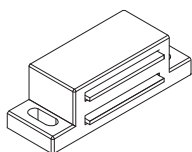
x 4

F



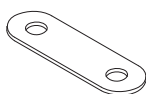
x 20

G



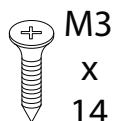
x 2

H



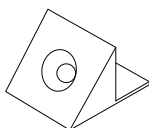
x 2

I



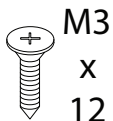
x 4

J



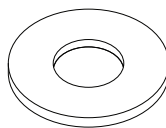
x 12

K



x 13

L



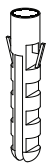
x 2

M



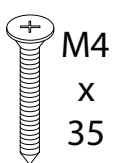
x 1

N



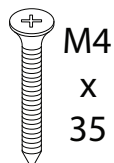
x 1

O



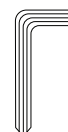
x 1

P



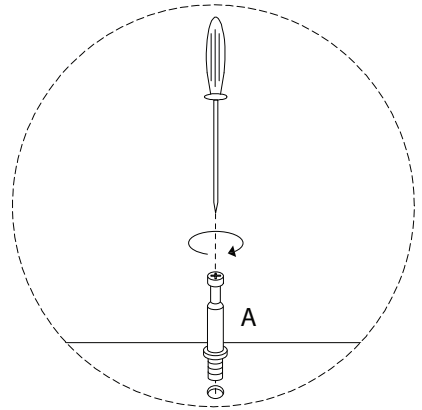
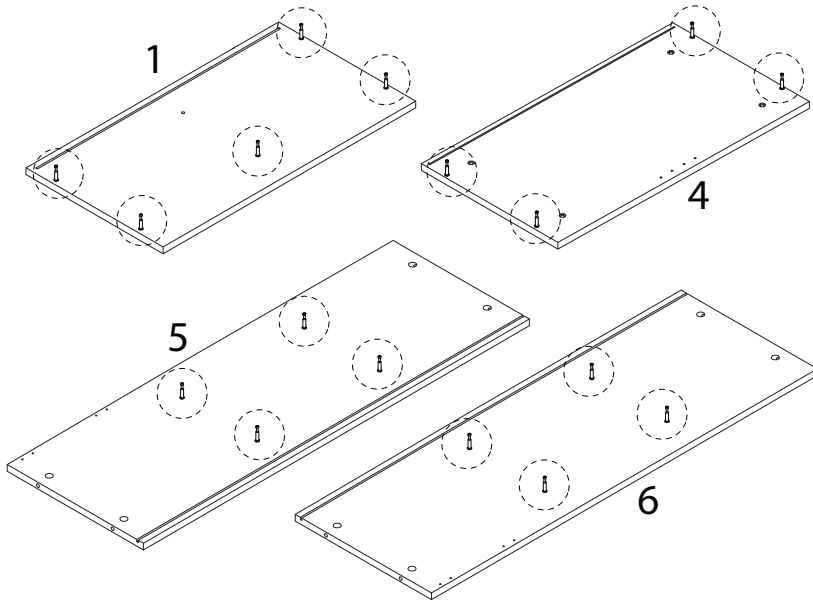
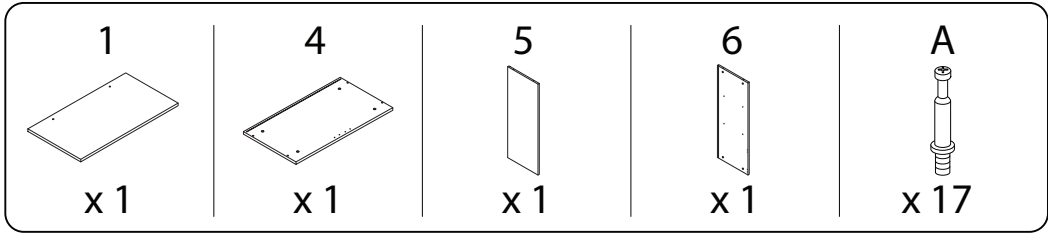
x 2

Q

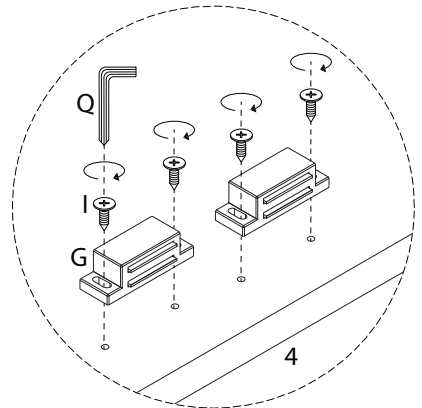
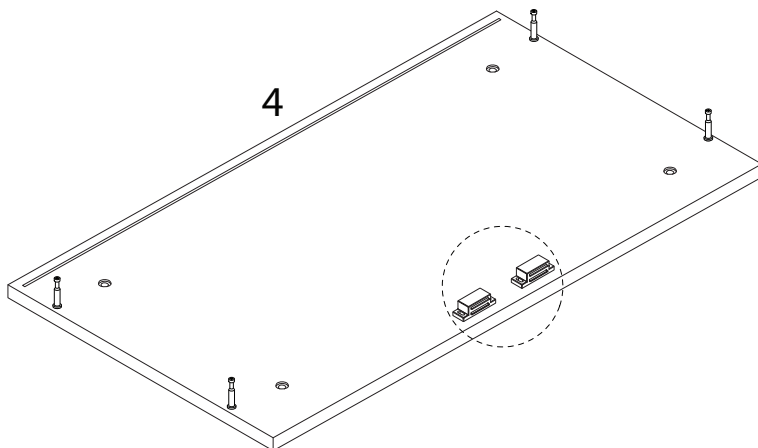
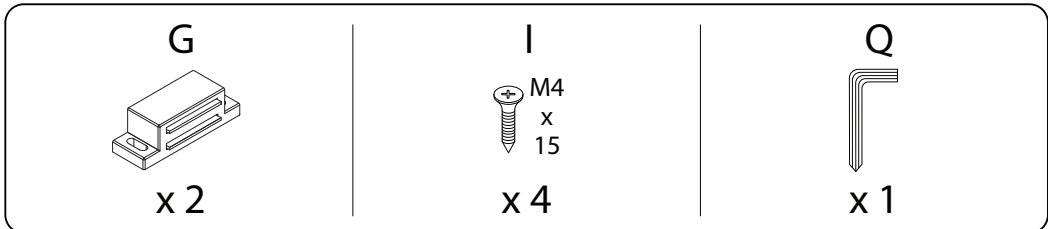


x 1

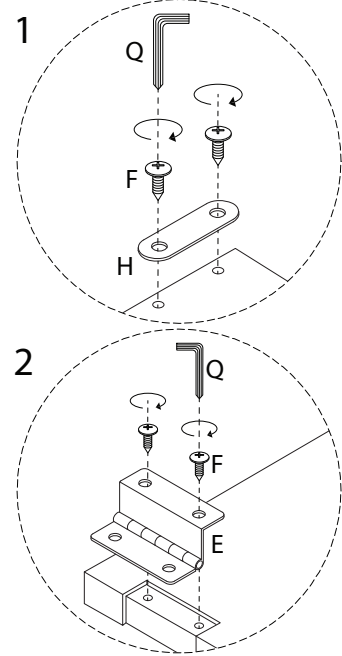
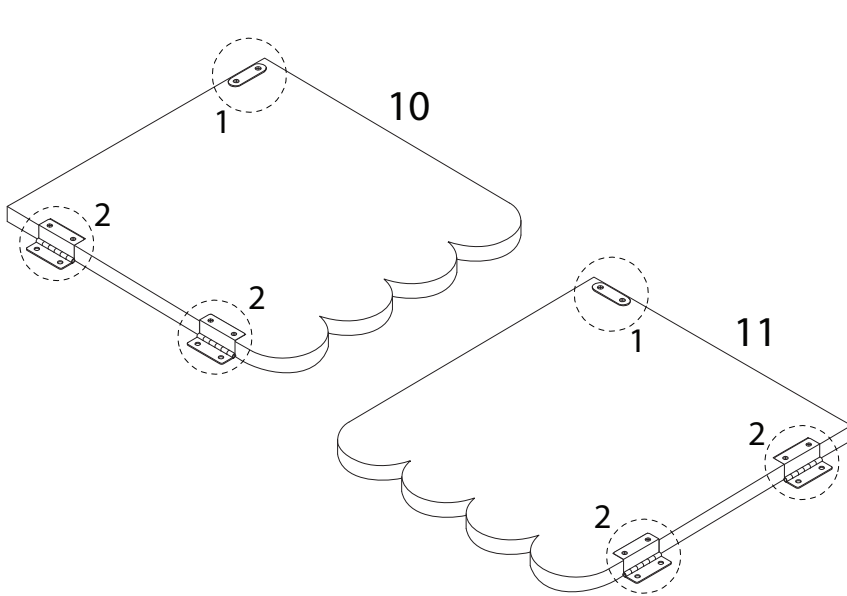
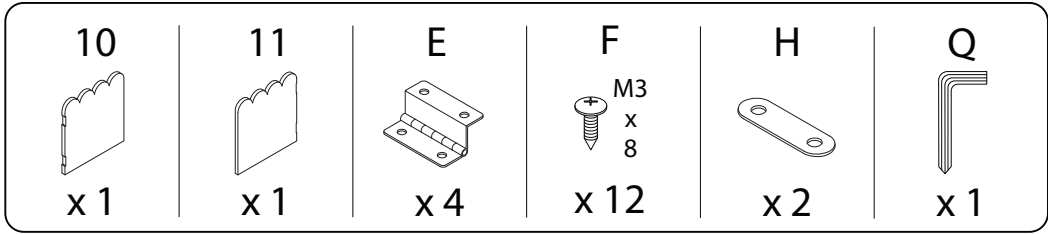
1



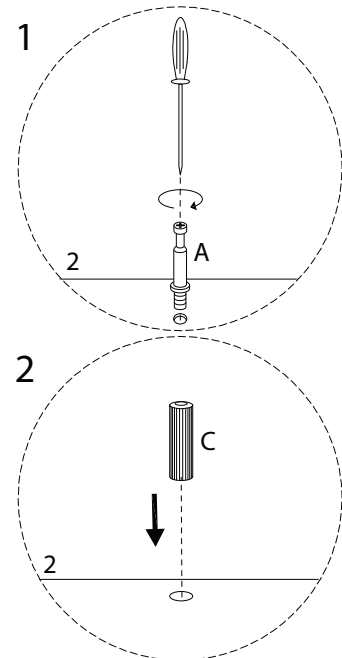
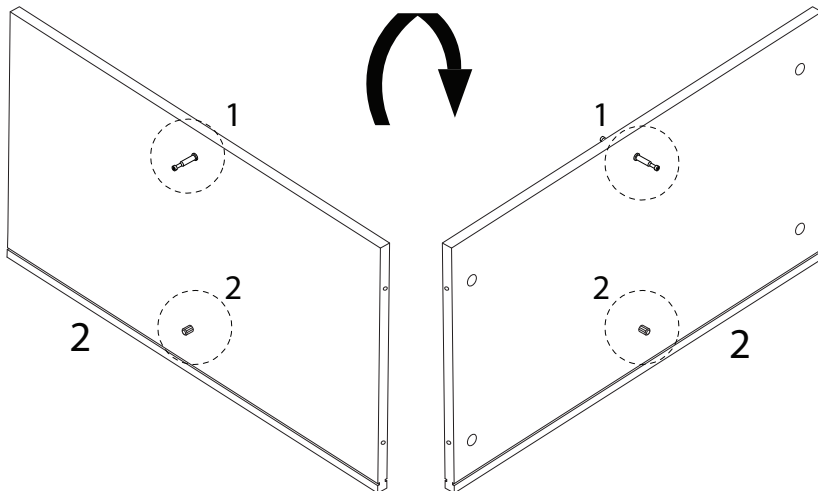
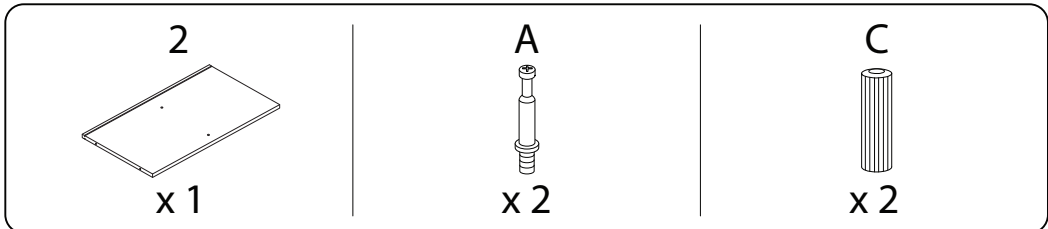
2



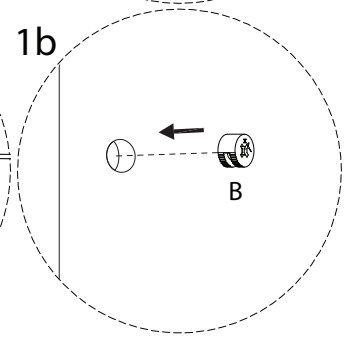
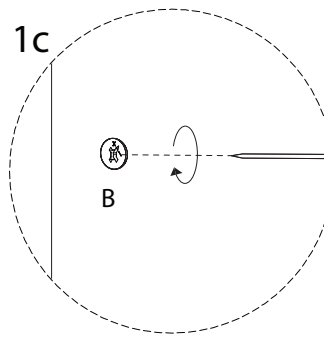
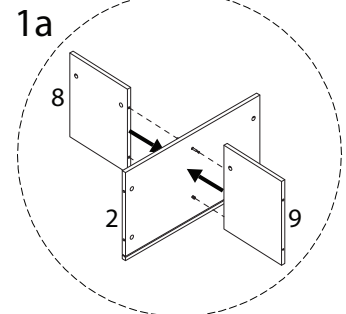
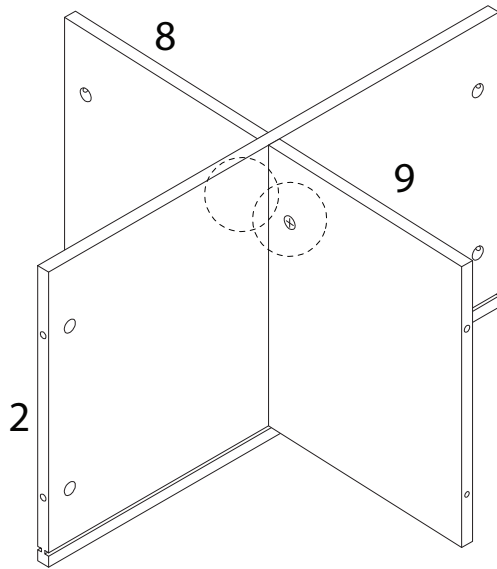
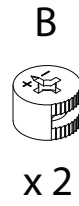
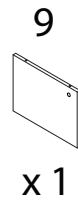
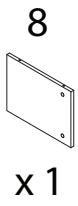
3



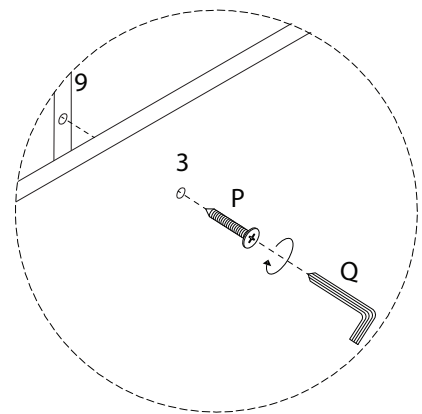
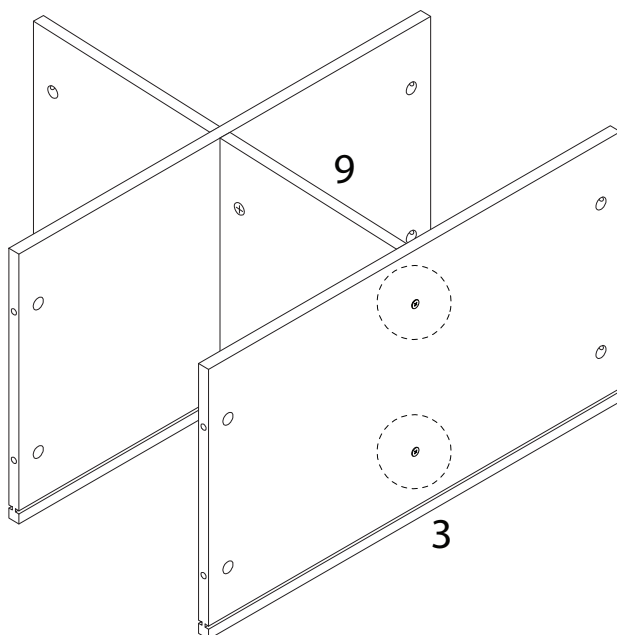
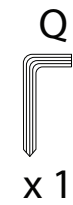
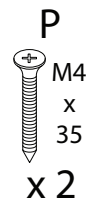
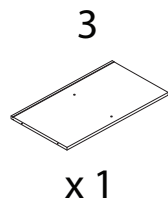
4



5



6

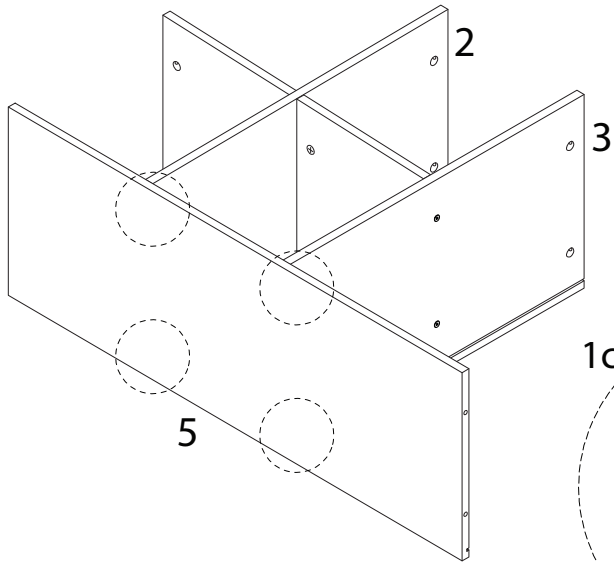


7

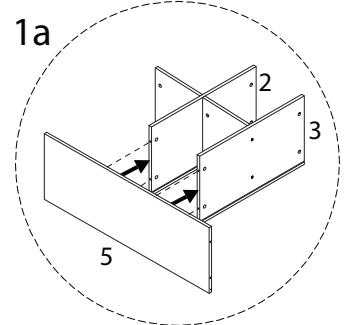
B



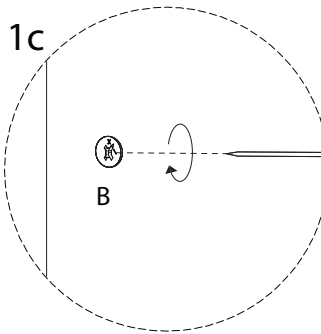
x 4



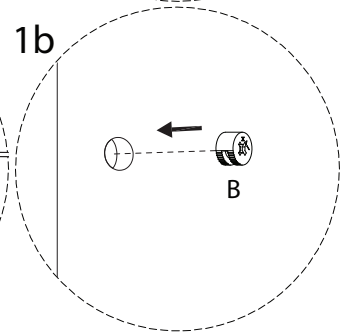
1a



1c

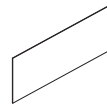


1b

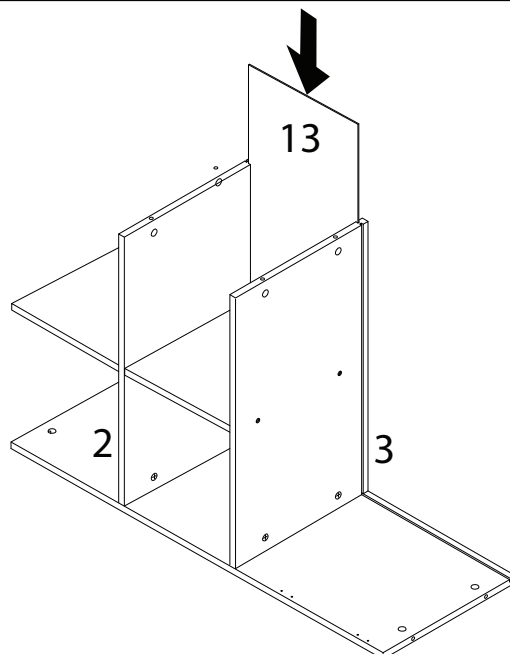


8

13



x 1

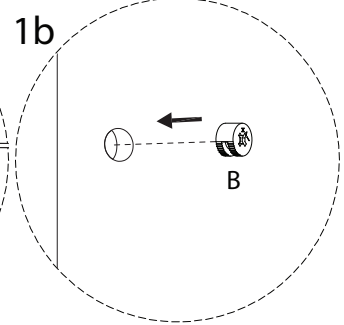
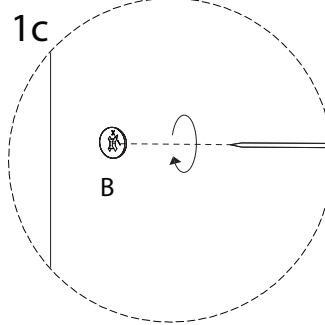
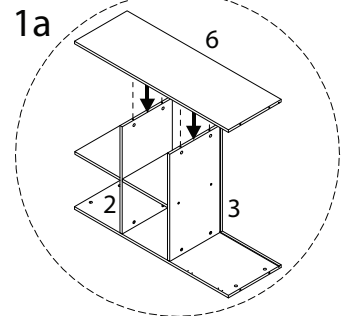
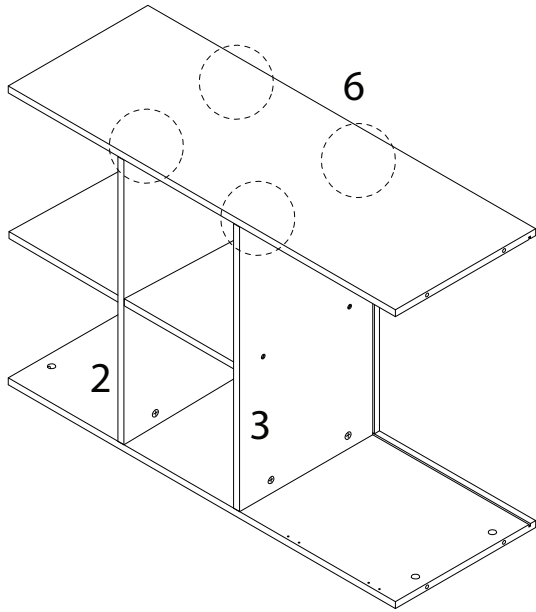


9

B

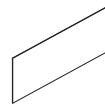


x 4

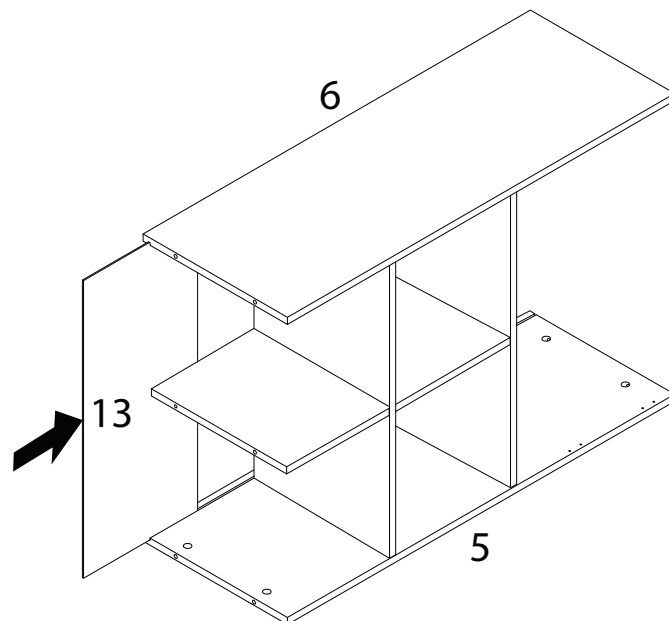


10

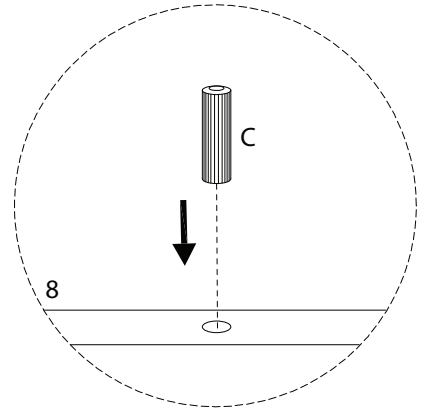
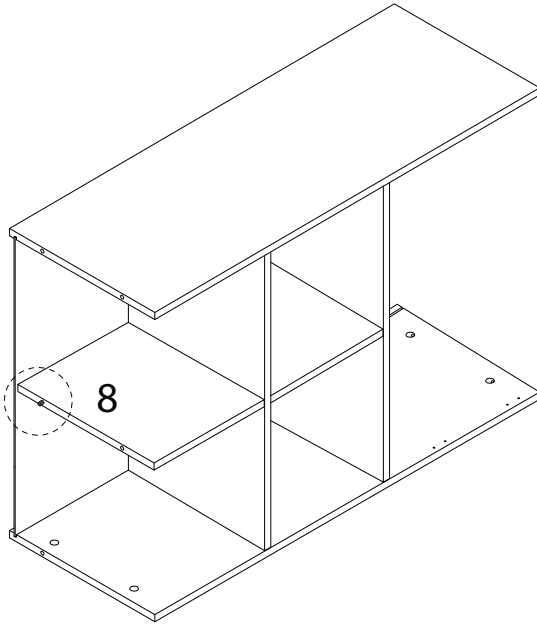
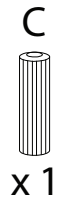
13



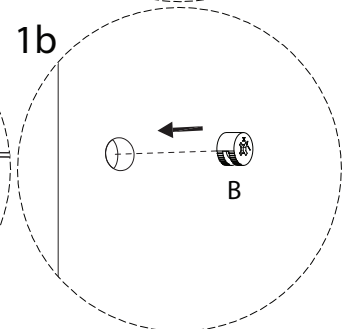
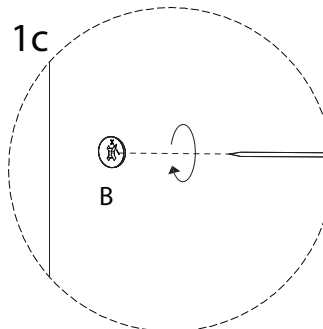
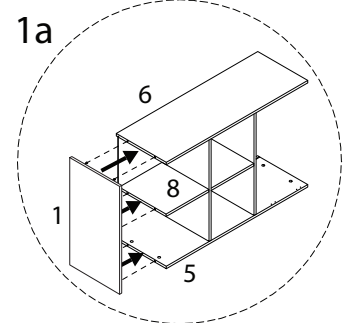
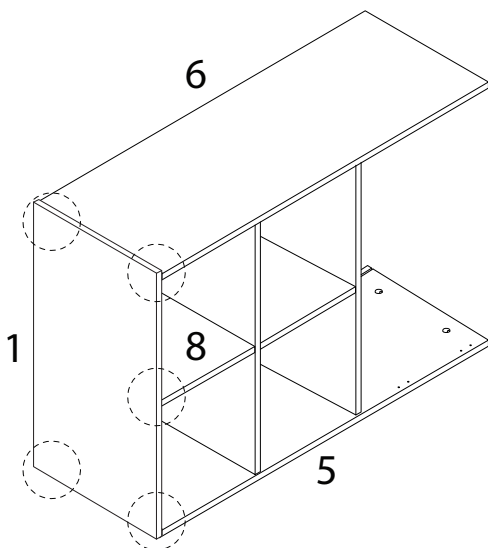
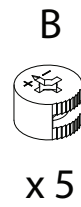
x 1



11

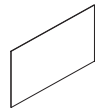


12

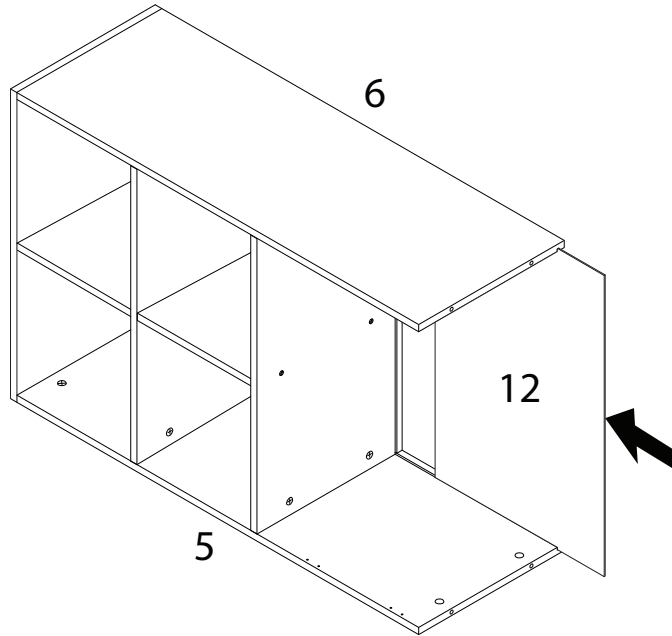


13

12



x 1



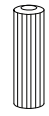
14 x 4

14

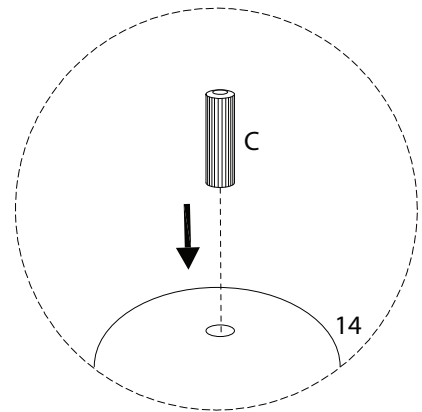
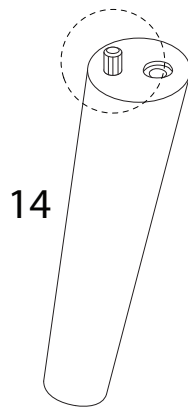


x 1

C



x 1



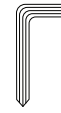
15

D

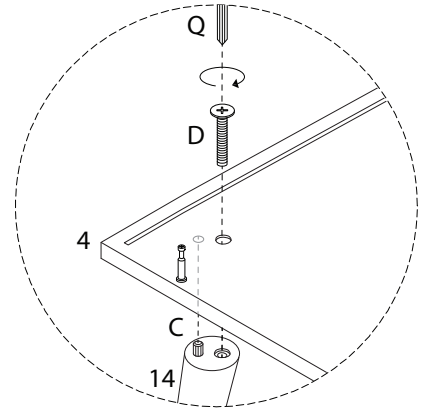
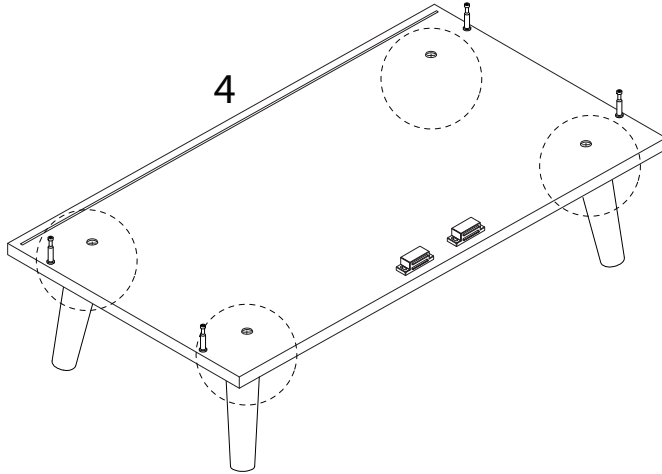


x 4

Q



x 1

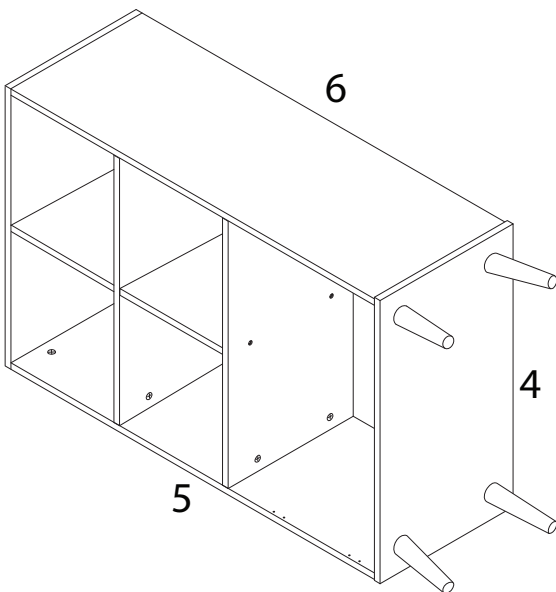


16

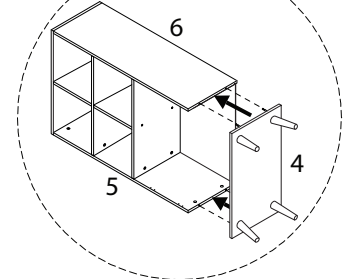
B



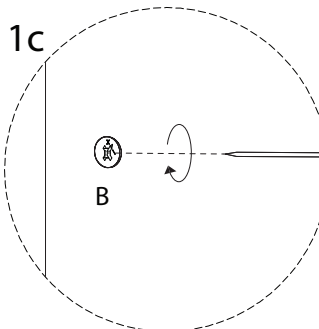
x 4



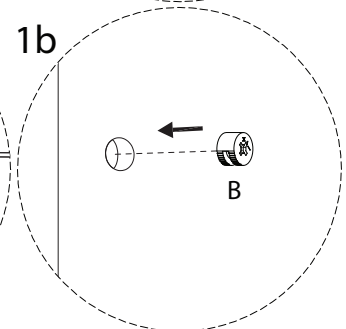
1a



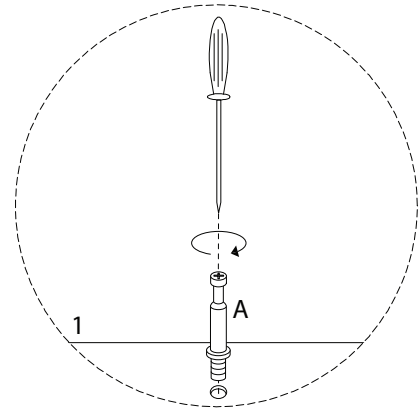
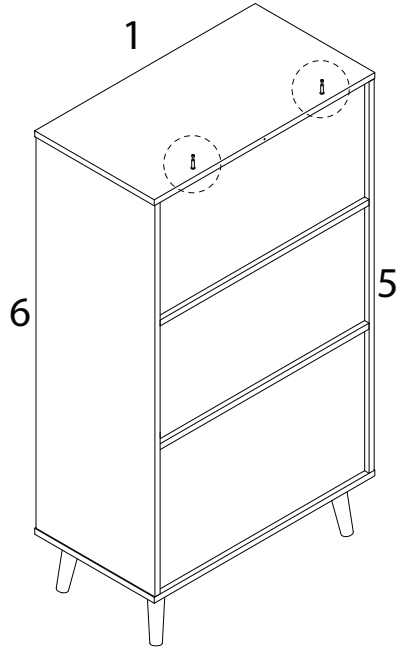
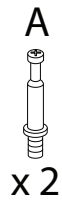
1c



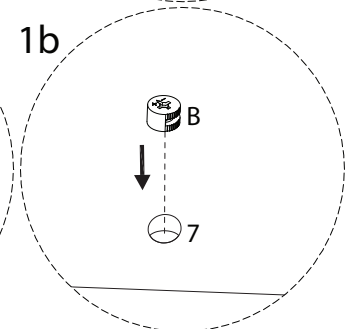
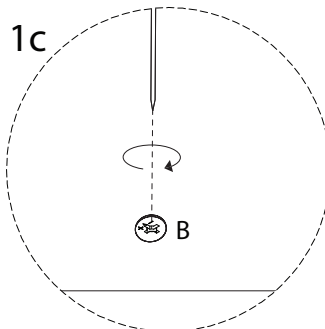
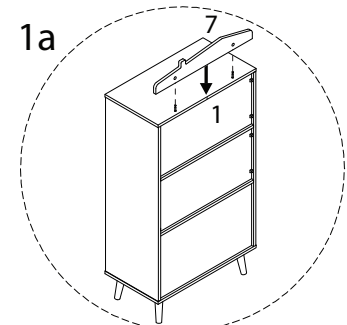
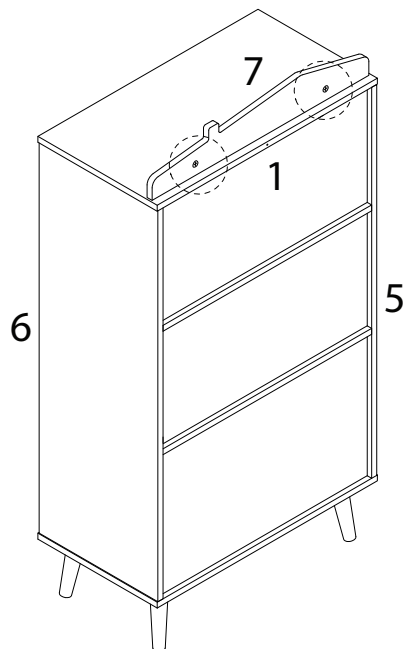
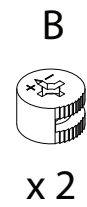
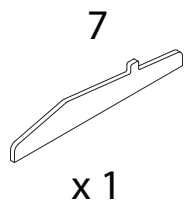
1b



17

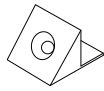


18



19

J

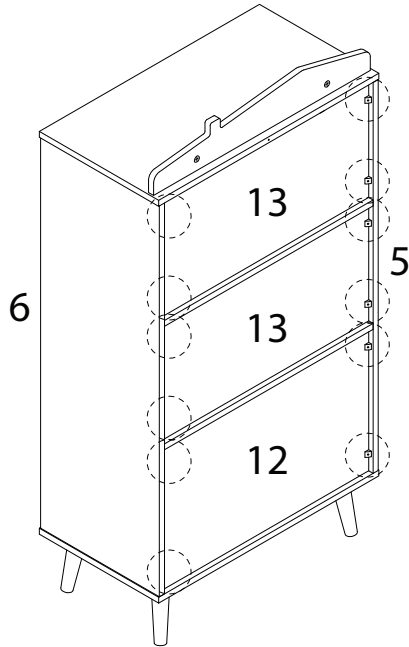


x 12

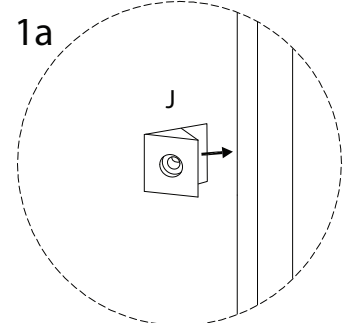
K



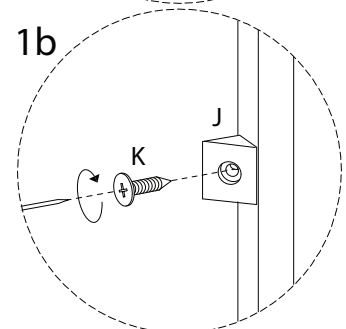
x 12



1a



1b



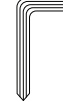
20

F

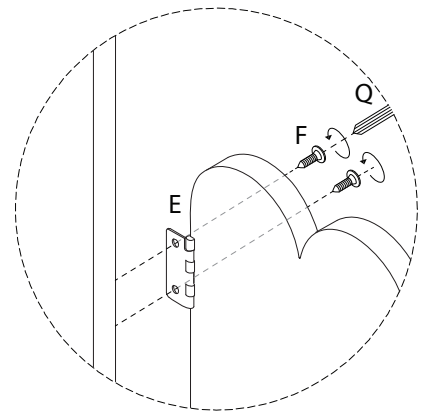
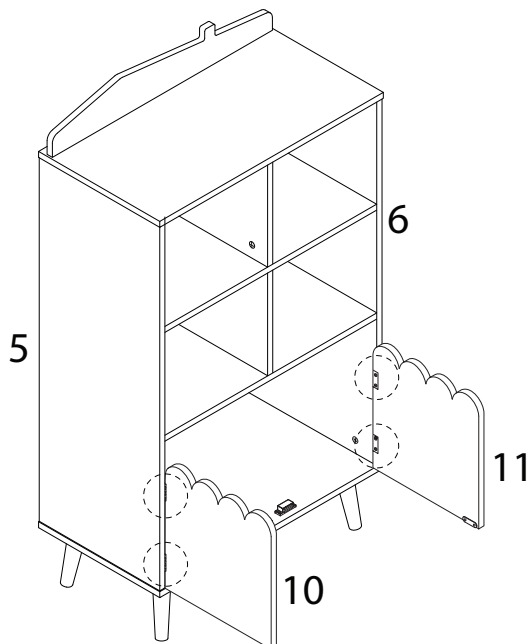


x 8

Q



x 1



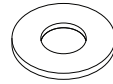
21

K



x 1

L

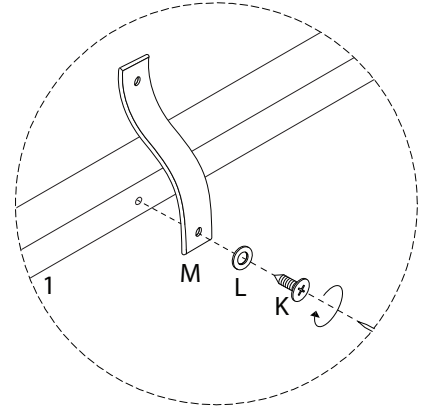
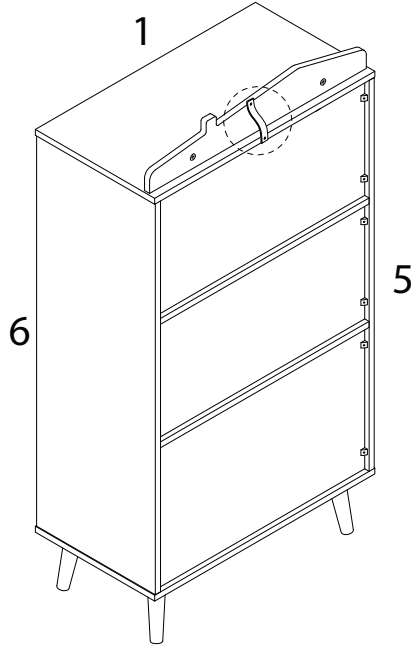


x 1

M

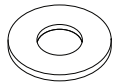


x 1



22

I



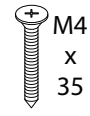
x 1

N



x 1

O



x 1

