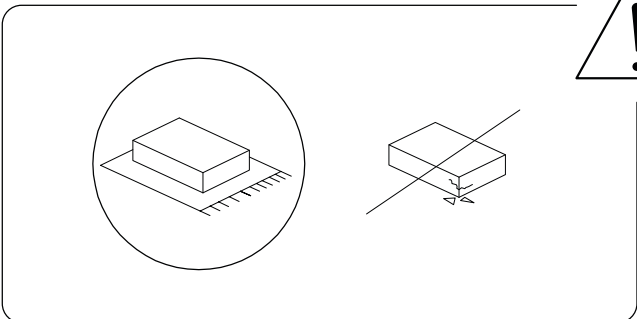
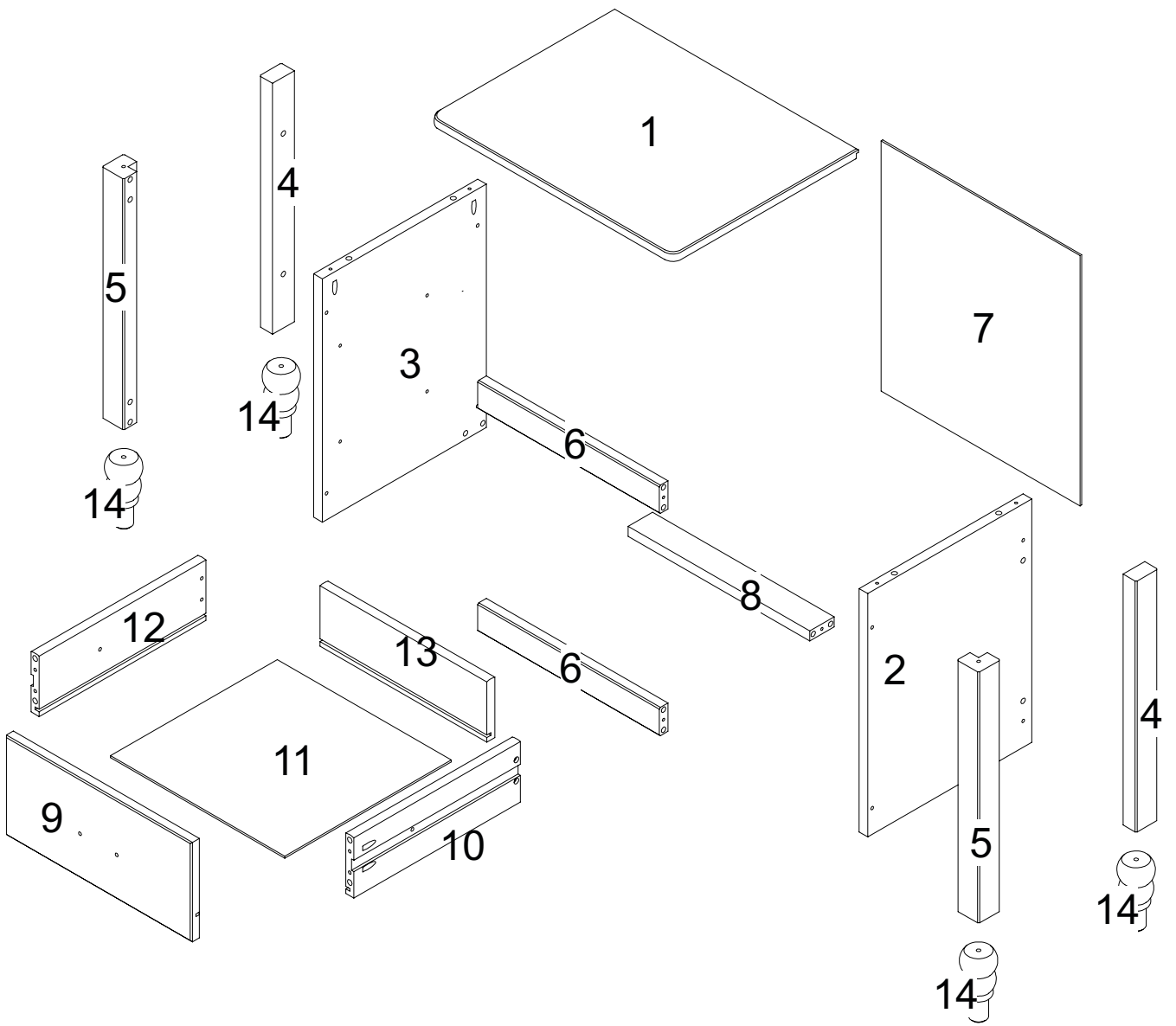
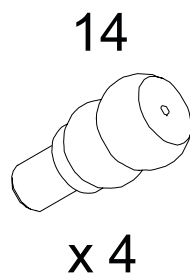
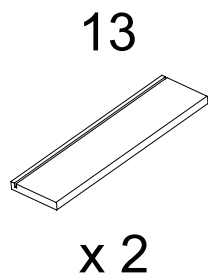
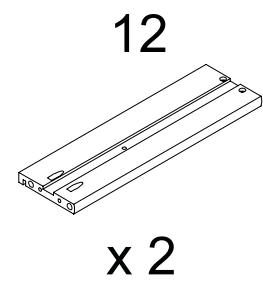
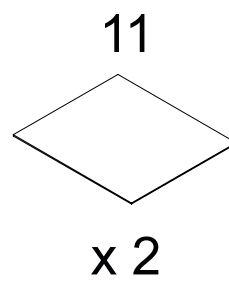
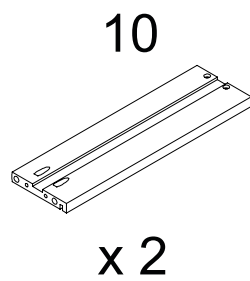
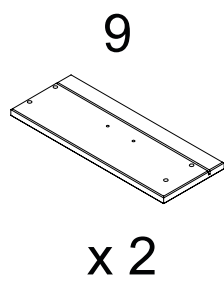
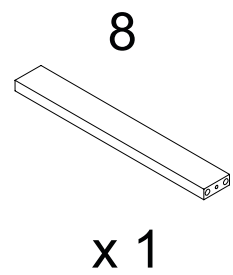
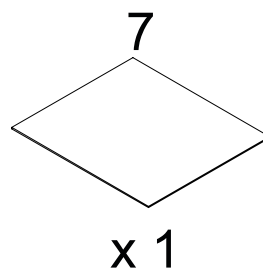
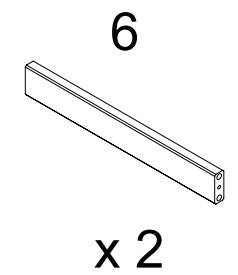
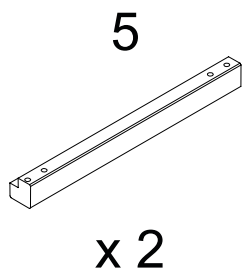
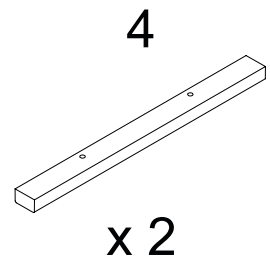
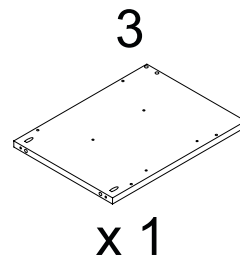
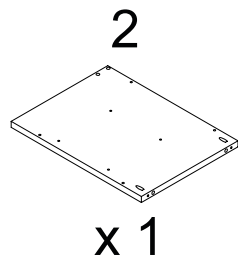
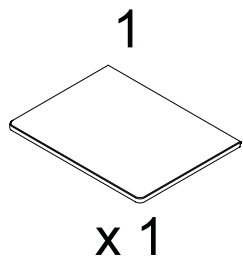


40'



2



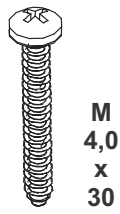


A



x 28

B



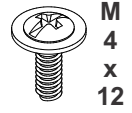
x 34

C



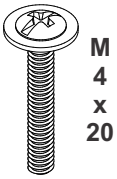
x 8

D



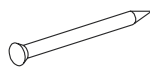
x 4

E



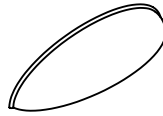
x 4

F



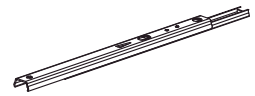
x 12

G



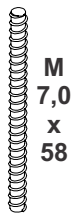
x 2

H



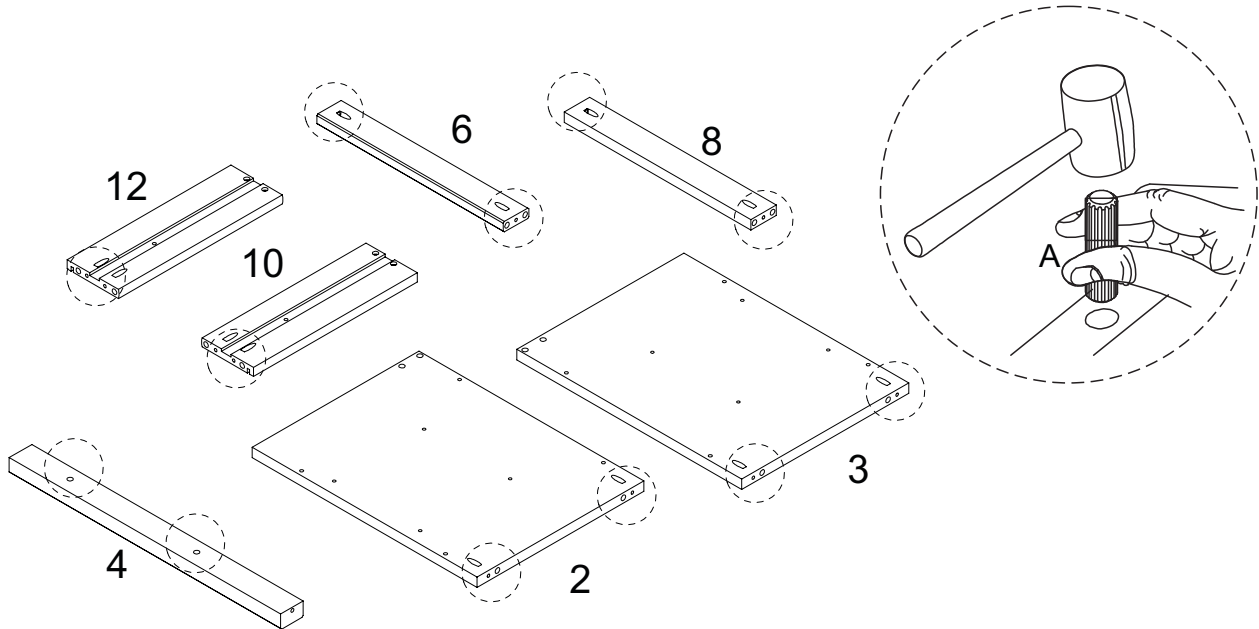
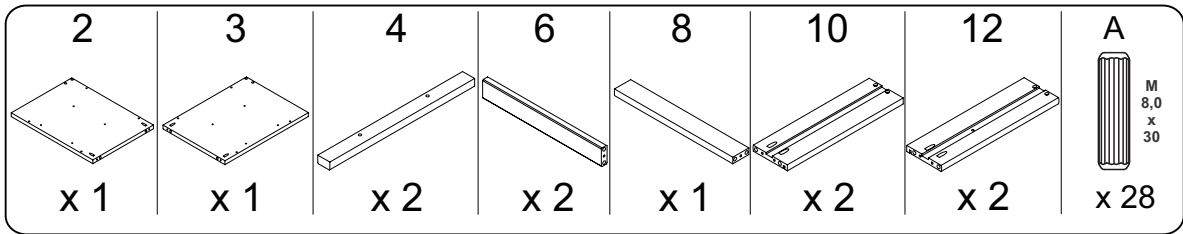
x 4

I

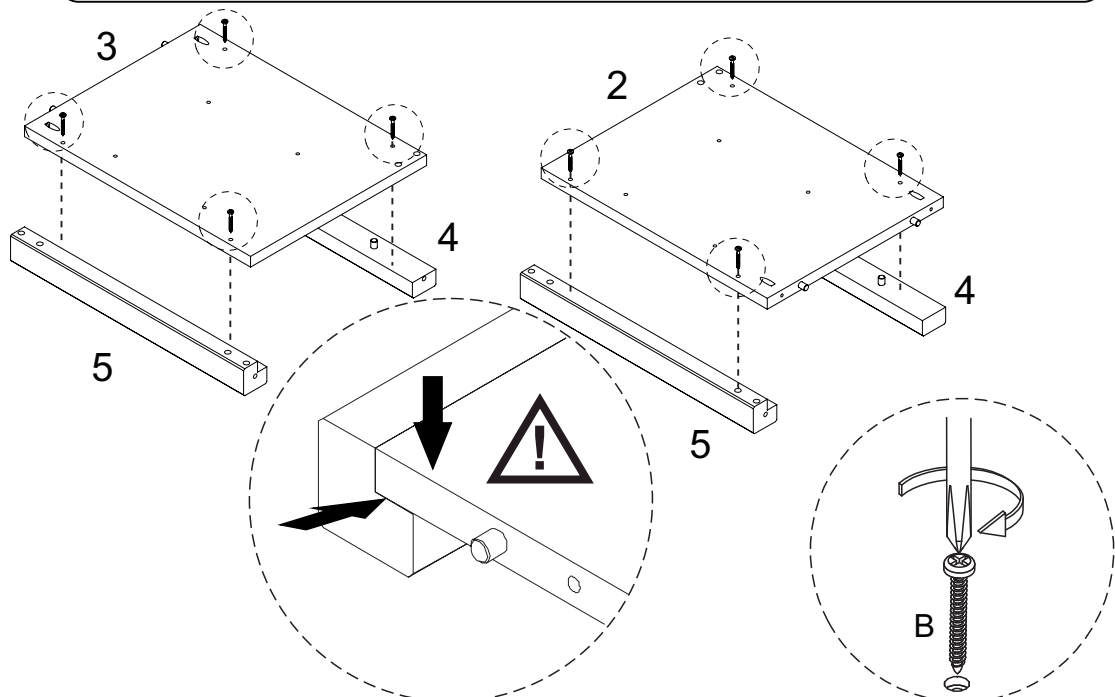
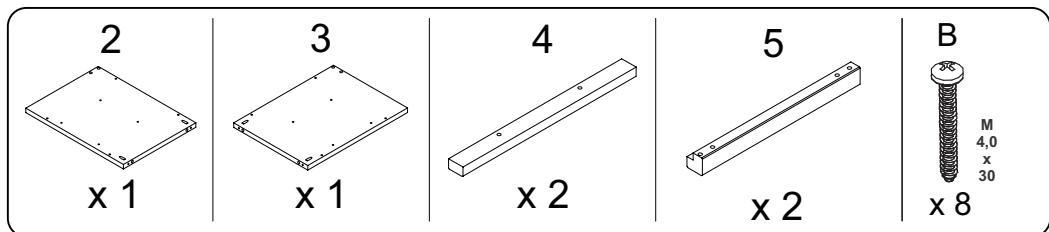


x 4

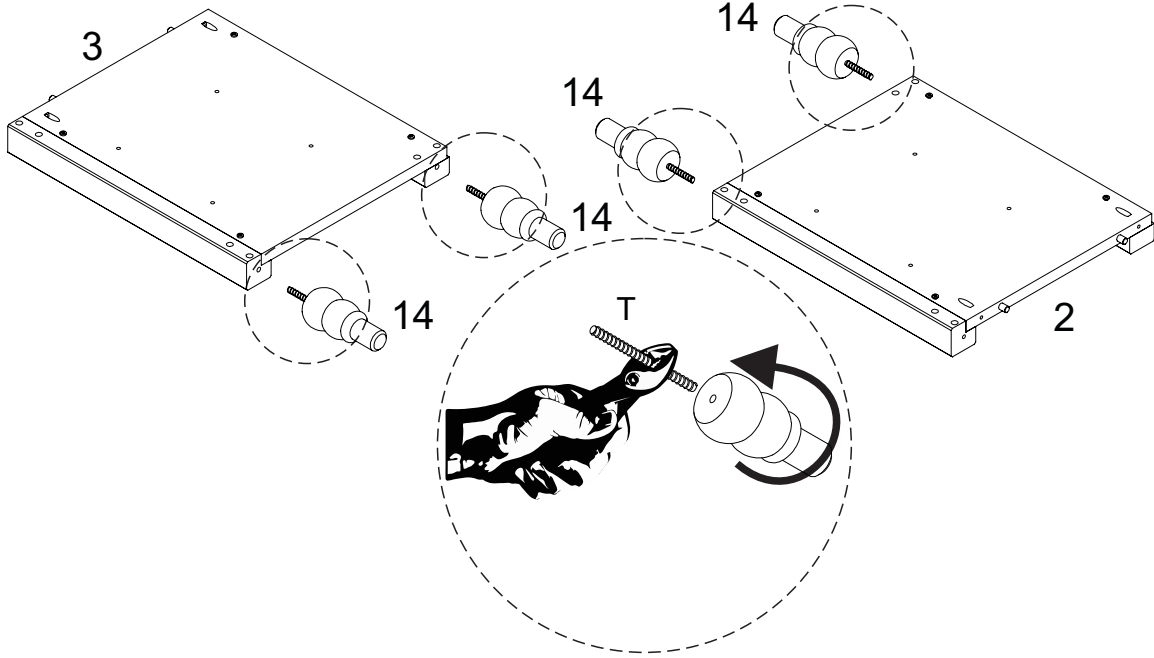
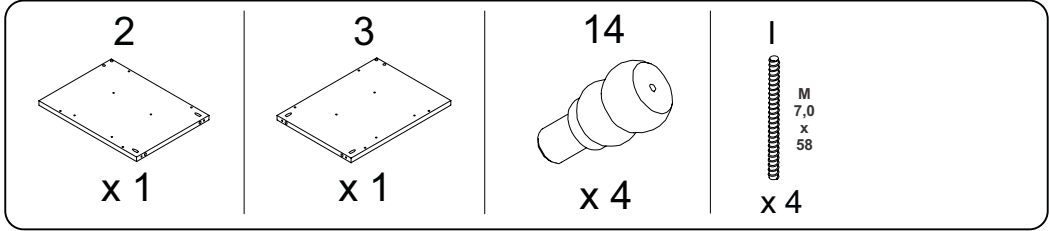
1



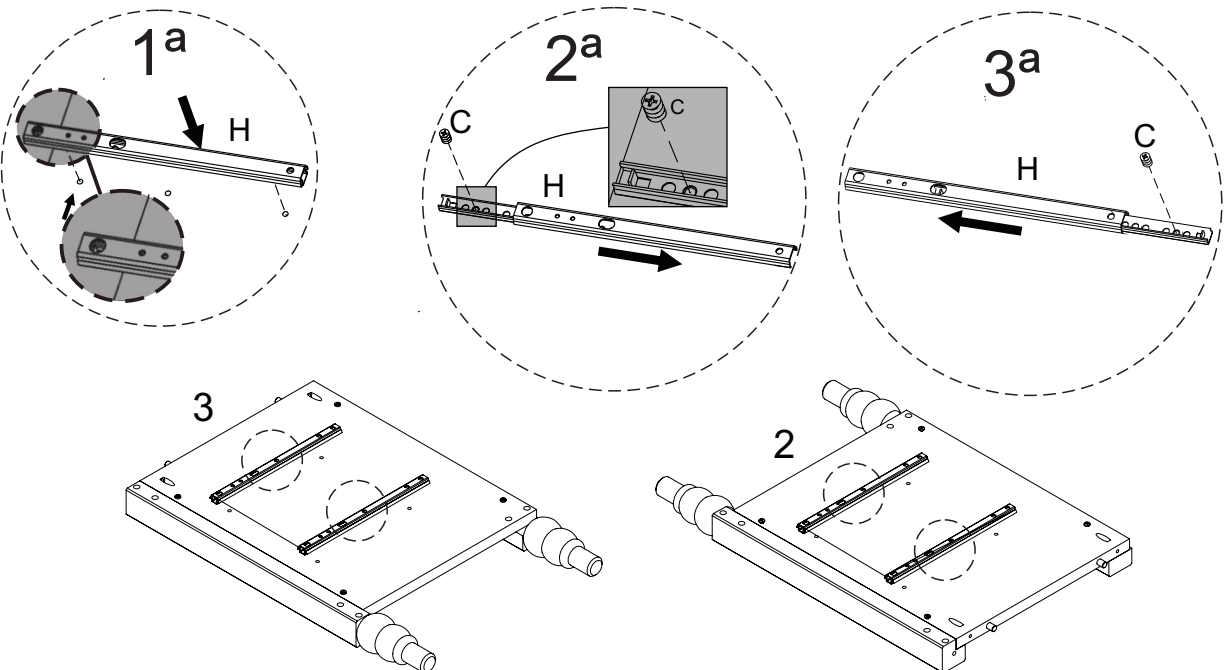
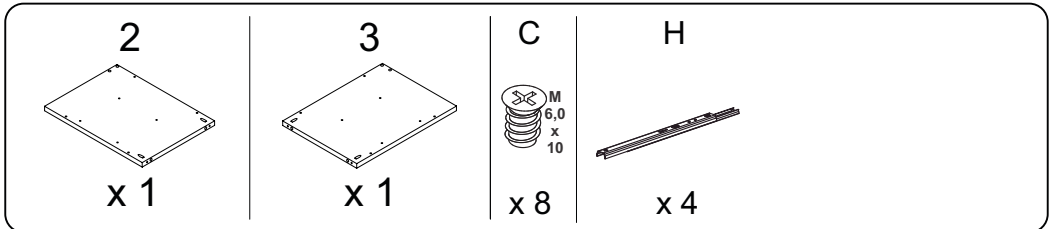
2



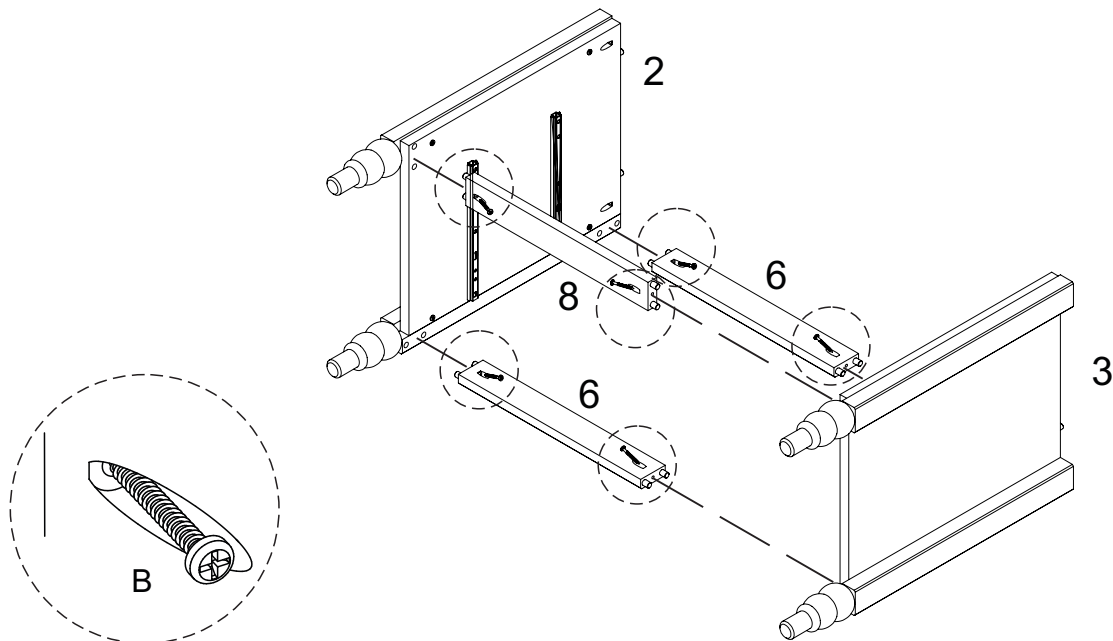
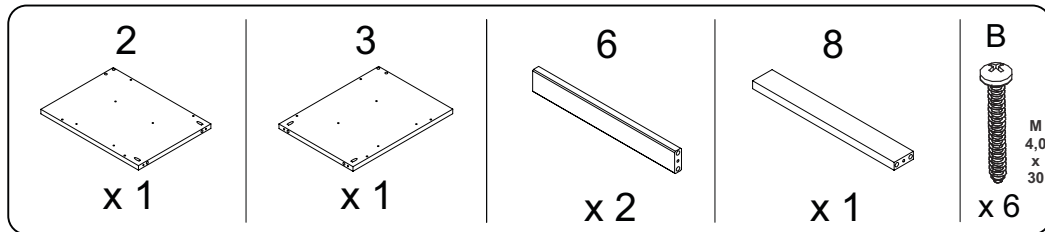
3



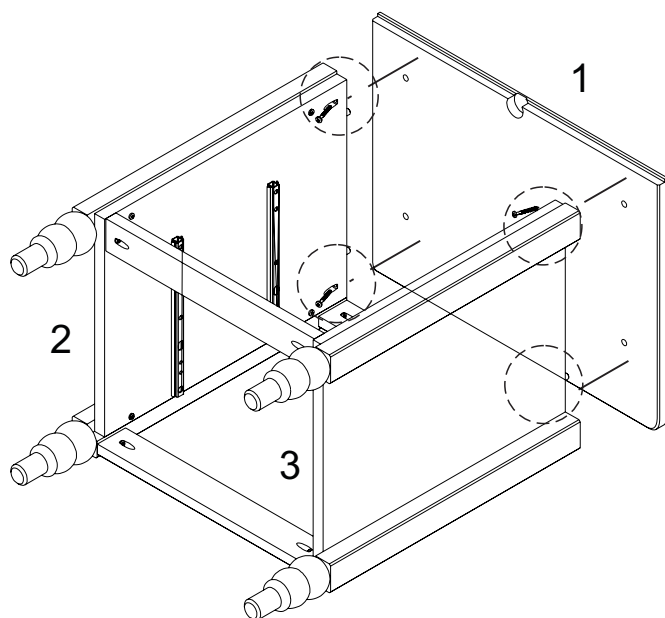
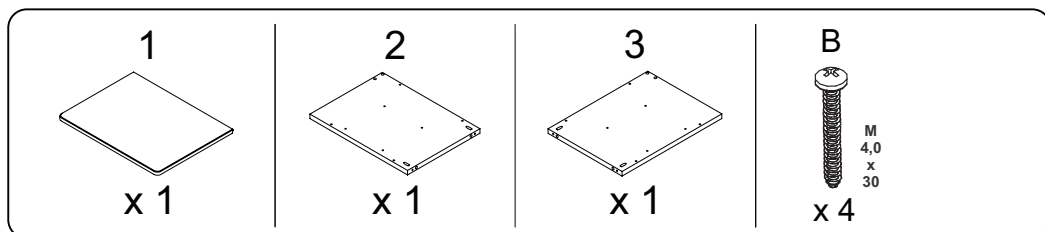
4



5

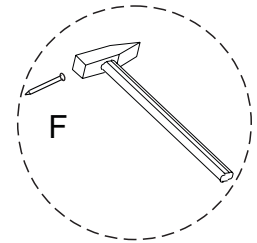
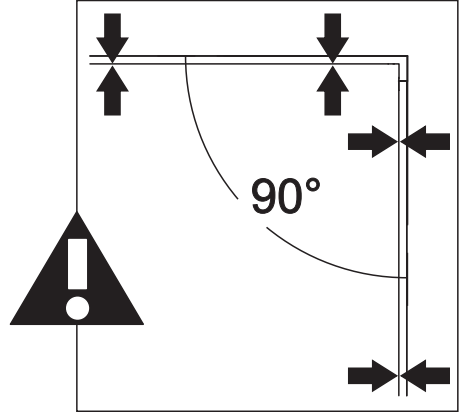
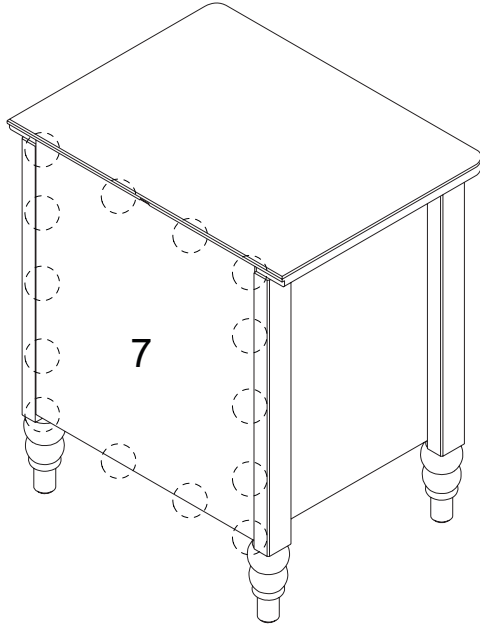
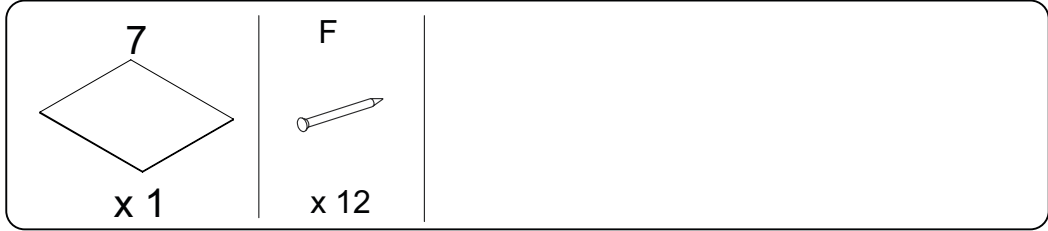


6

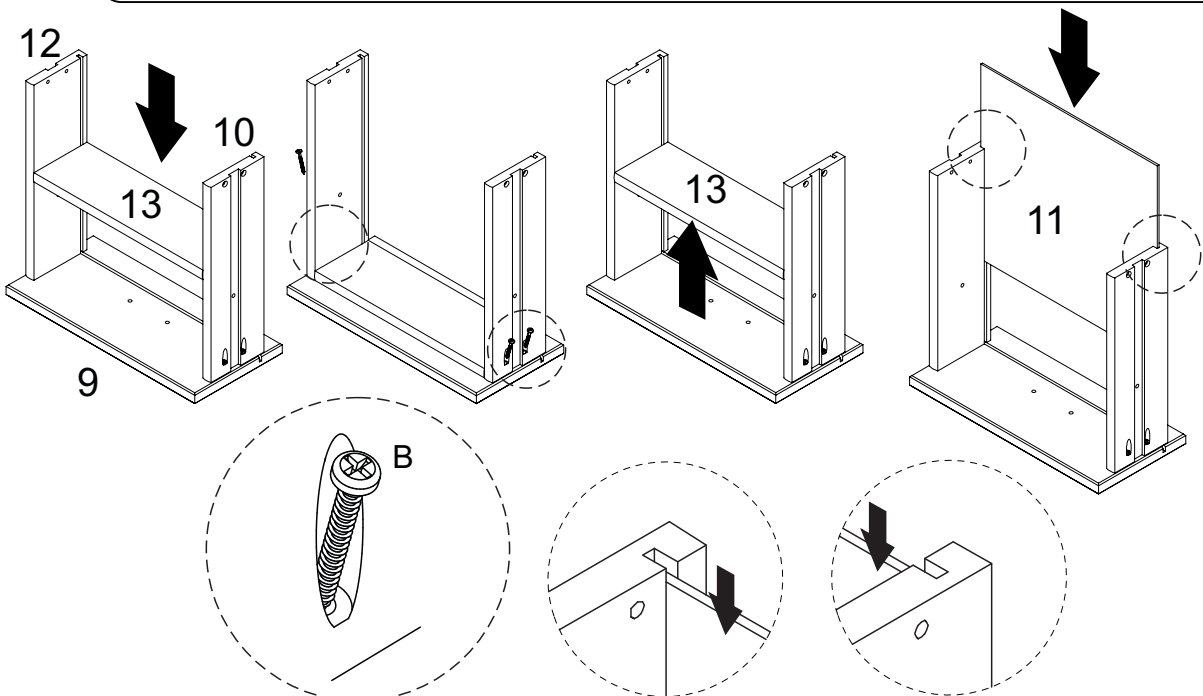
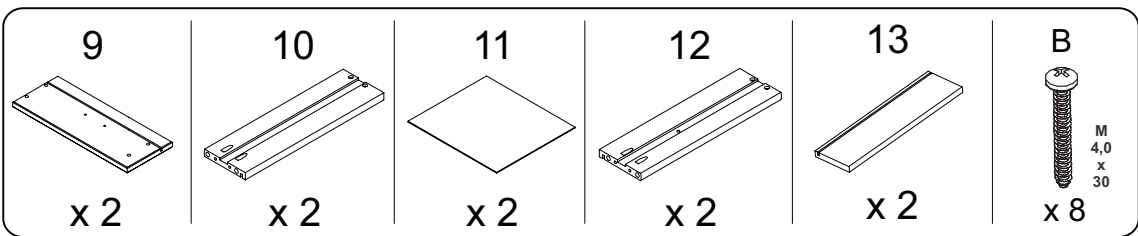




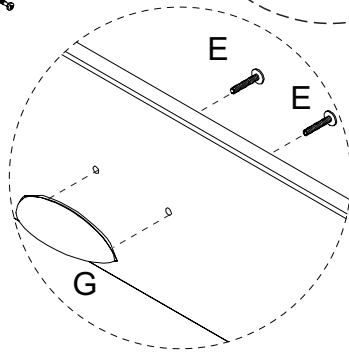
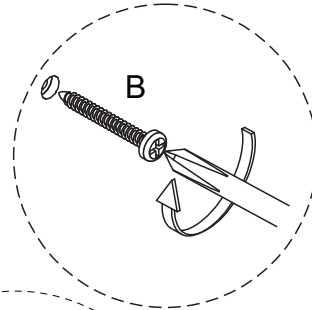
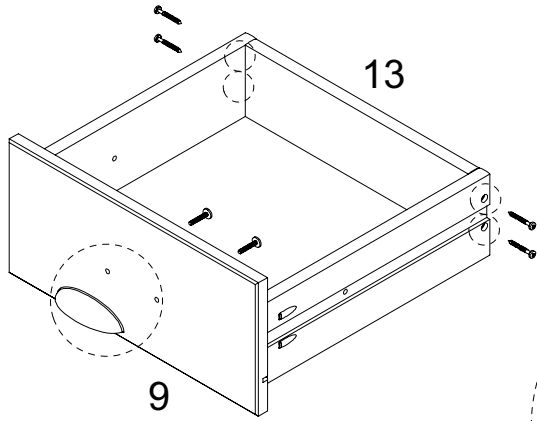
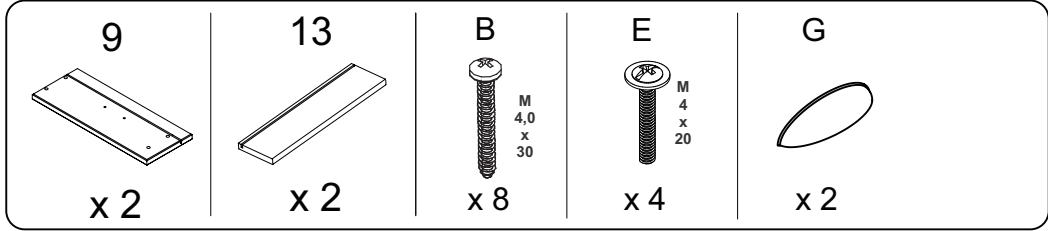
7



8



9



10

