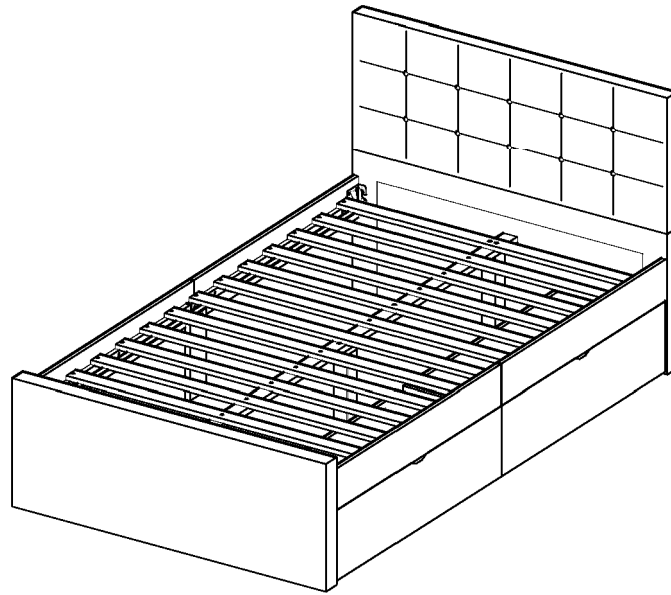
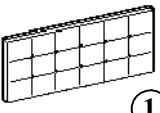
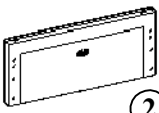
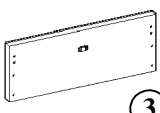




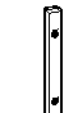
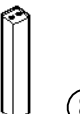

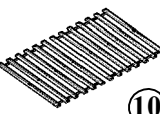
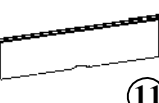
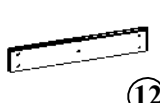
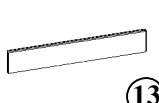
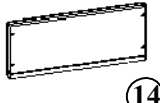
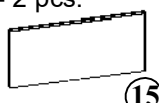
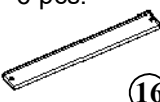


ASSEMBLY INSTRUCTIONS



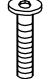







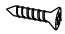
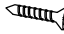
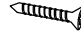
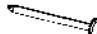
MODEL : BD722-FS
ITEM CODE :1979/3160



COMPONENT

Headboard Top - 1 pc.  ①	Headboard Bottom- 1 pc.  ②	Footboard - 1 pc.  ③	Side Rail (Left) - 2 pcs.  ④L	Side Rail (Right) - 2 pcs.  ④R	Side Rail Leg - 2 pcs.  ⑤	Drawer Block - 2 pcs.  ⑥	Center Leg (Middle)- 1 pc.  ⑦
Center Leg - 2 pcs.  ⑧	Center Rail - 2 pcs.  ⑨	Slat - 13pcs.(2set)  ⑩	Drawer Head - 2 pcs.  ⑪	Drawer Panel (Front)- 2 pcs.  ⑫	Drawer Panel (Back)- 2 pcs.  ⑬	Drawer Side Panel - 4 pcs.  ⑭	Drawer Bottom Panel - 2 pcs.  ⑮
Drawer Support - 6 pcs.  ⑯							

HARDWARE

Allen Key M4 - 1 pc.  A	Allen Key M5 - 1 pc.  B	JCBC Bolt M6 x 50mm - 4 pcs.  C	JCBC Bolt M6 x 40mm - 4 pcs.  D	JCBC Bolt M6 x 35mm - 18 pcs.  E	JCBC Bolt M6 x 30mm - 10 pcs.  F	M6 Spring Washer - 8 pcs.  G	M6 Flat Washer - 8 pcs.  H
1010 Hardware Caster- 8 pcs.  I	Handle Screw M4 x 32mm - 16 pcs.  J	Wood Screw M3.5 x 16mm - 32 pcs.  K	Wood Screw M4 x 20mm - 14 pcs.  L	Wood Screw M4 x 25mm - 36 pcs.  M	Power Nails (20mm) - 48 pcs.  N		

ASSEMBLY INSTRUCTIONS

Part List

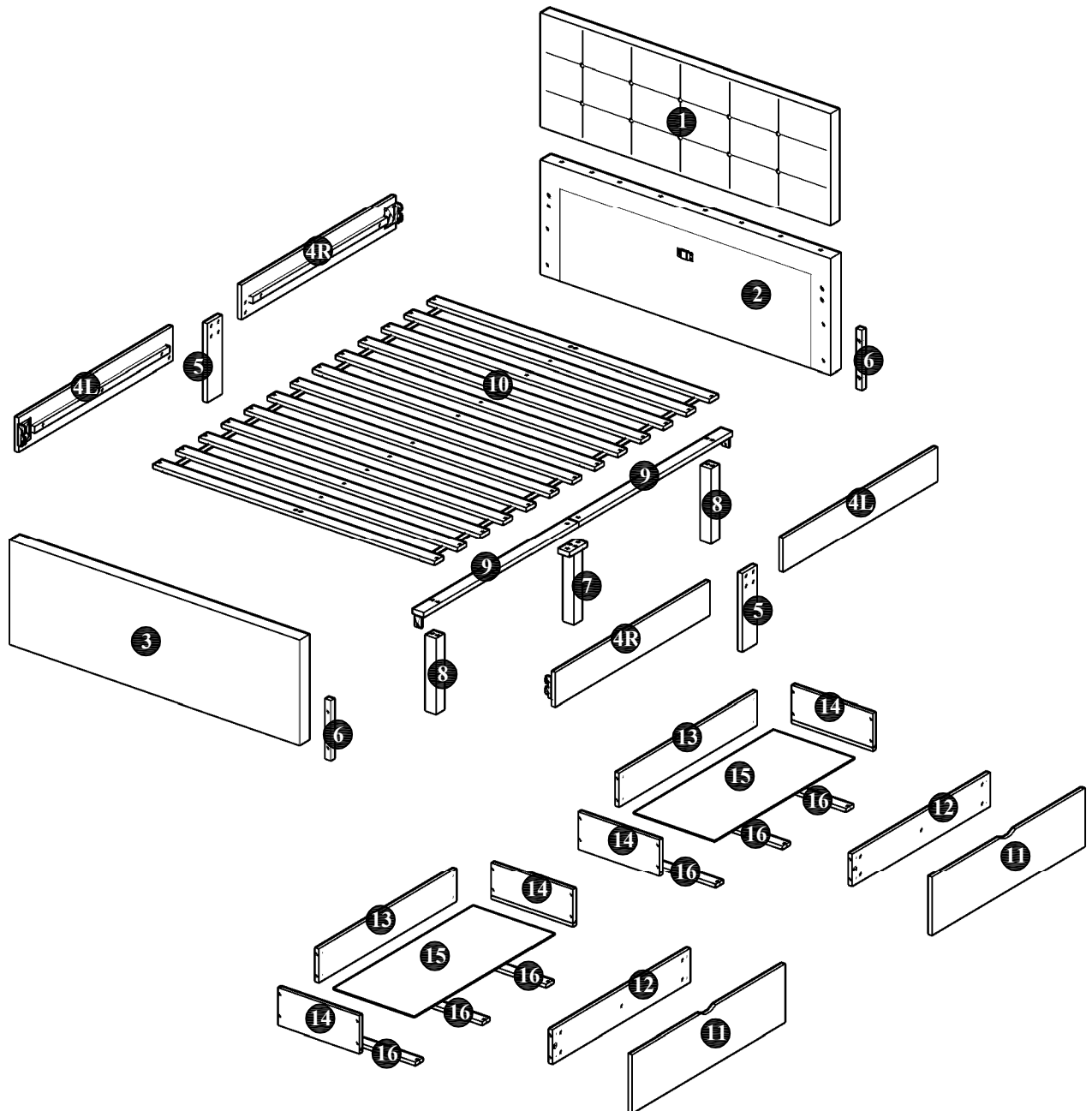
Carton 1 of 2

1	HEADBOARD TOP	1
2	HEADBOARD BOTTOM	1
10	SLATS	2
11	DRAWER HEAD	2
15	DRAWER BOTTOM PANEL	2
16	DRAWER SUPPORT	6

Carton 2 of 2

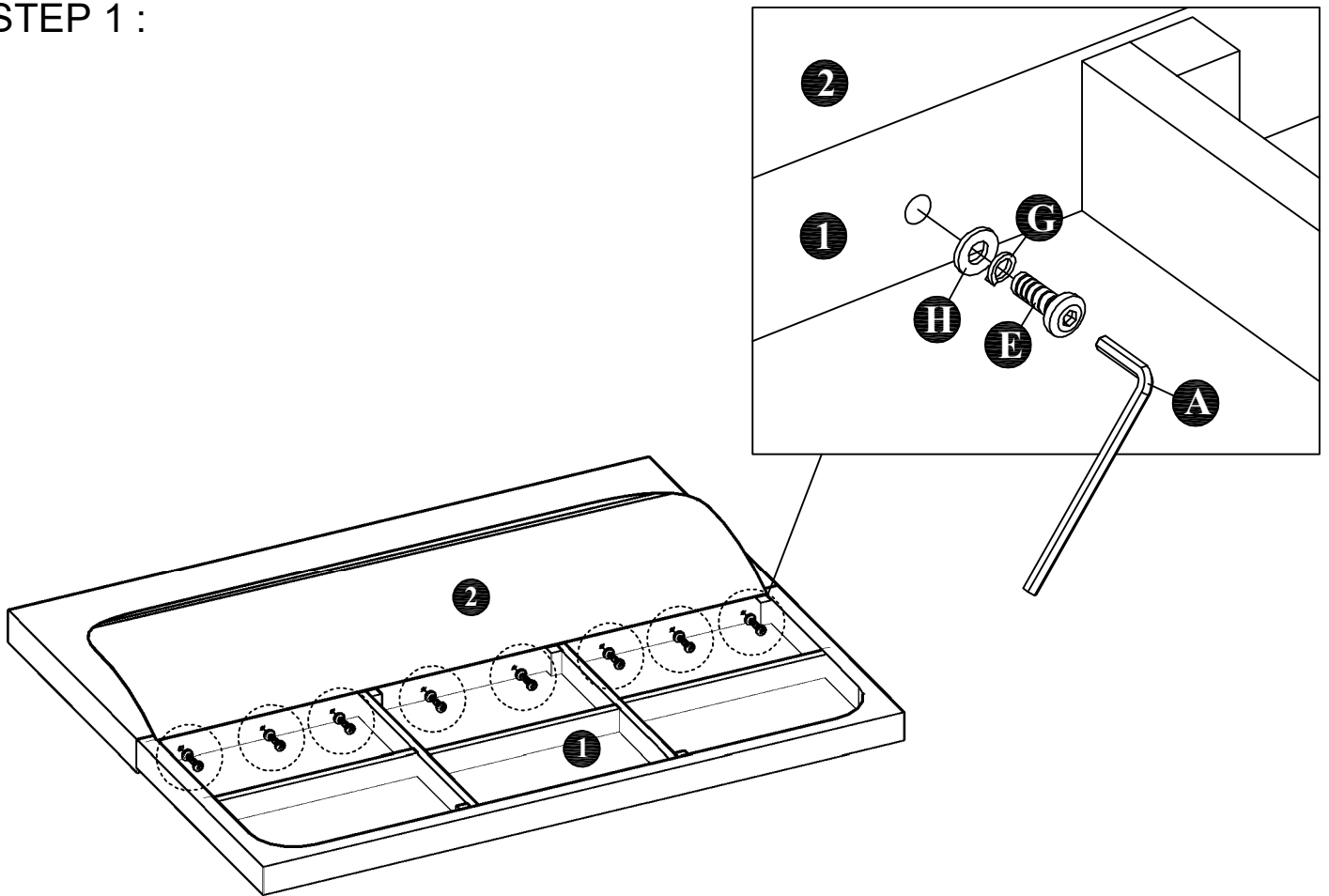
3	FOOTBOARD	1
4L	SIDE RAIL (LEFT)	2
4R	SIDE RAIL (RIGHT)	2
5	SIDE RAIL LEG	2
6	DRAWER BLOCK	2
7	CENTER LEG (MIDDLE)	1
8	CENTER LEG	2
9	CENTER RAIL	2

12	DRAWER PANEL (FRONT)	2
13	DRAWER PANEL (BACK)	2
14	DRAWER SIDE PANEL	4

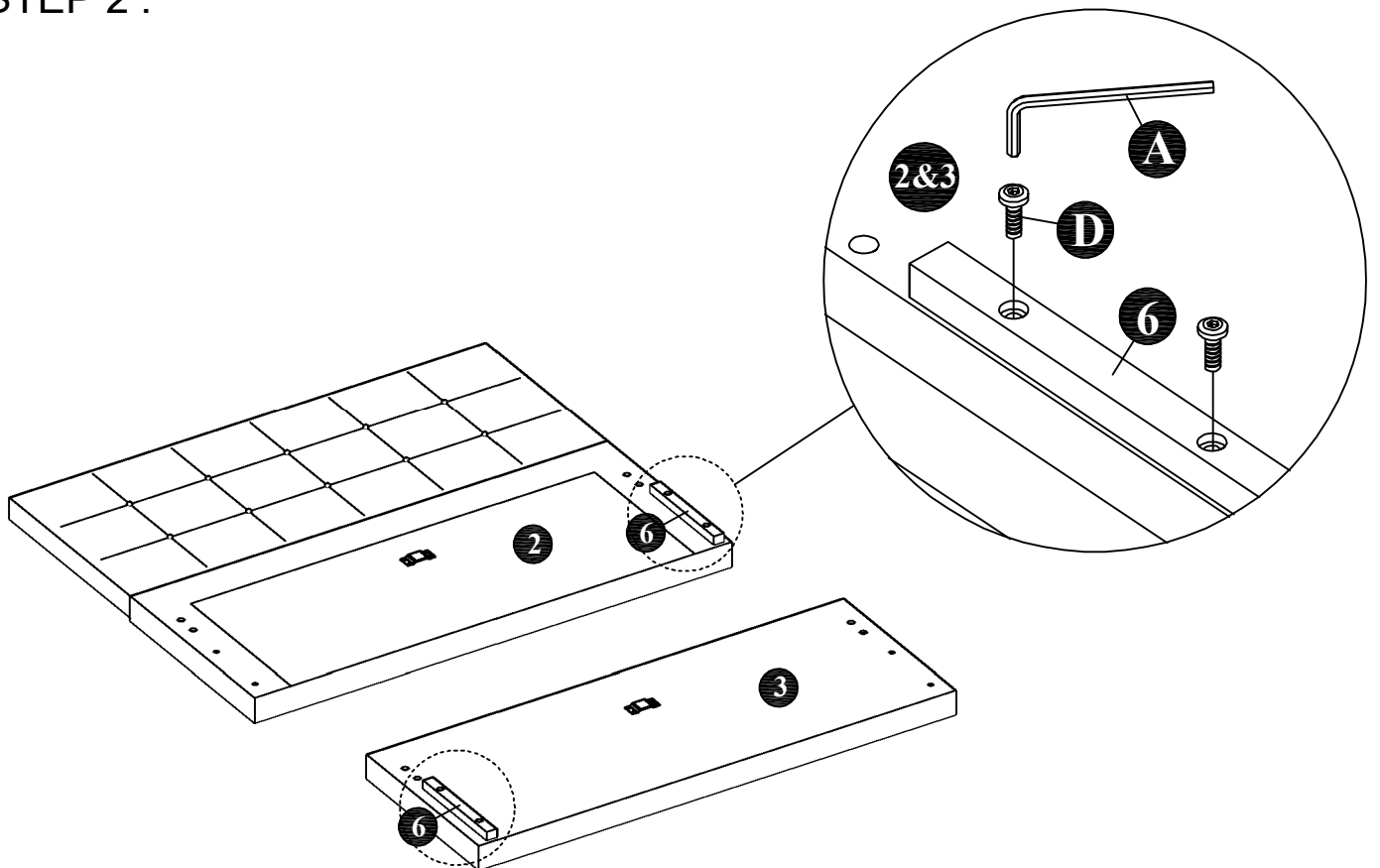


ASSEMBLY INSTRUCTIONS

STEP 1 :

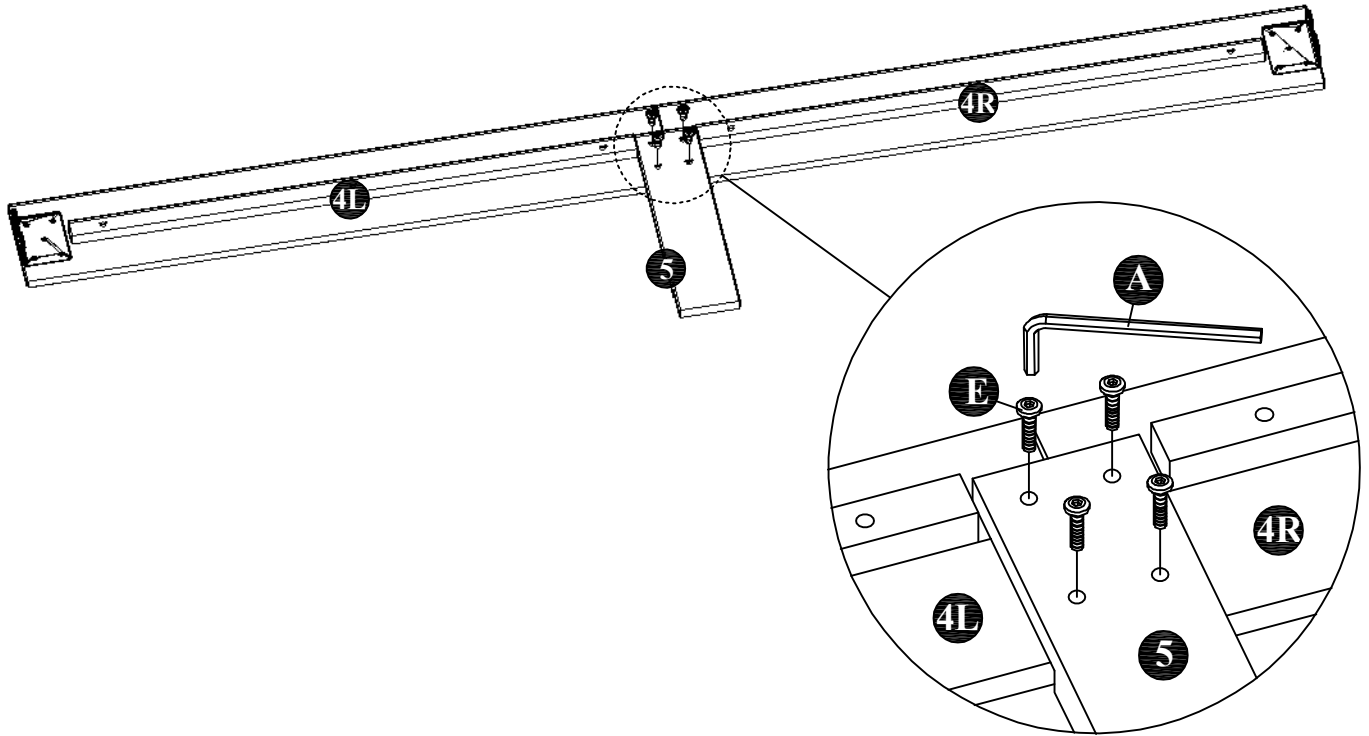


STEP 2 :

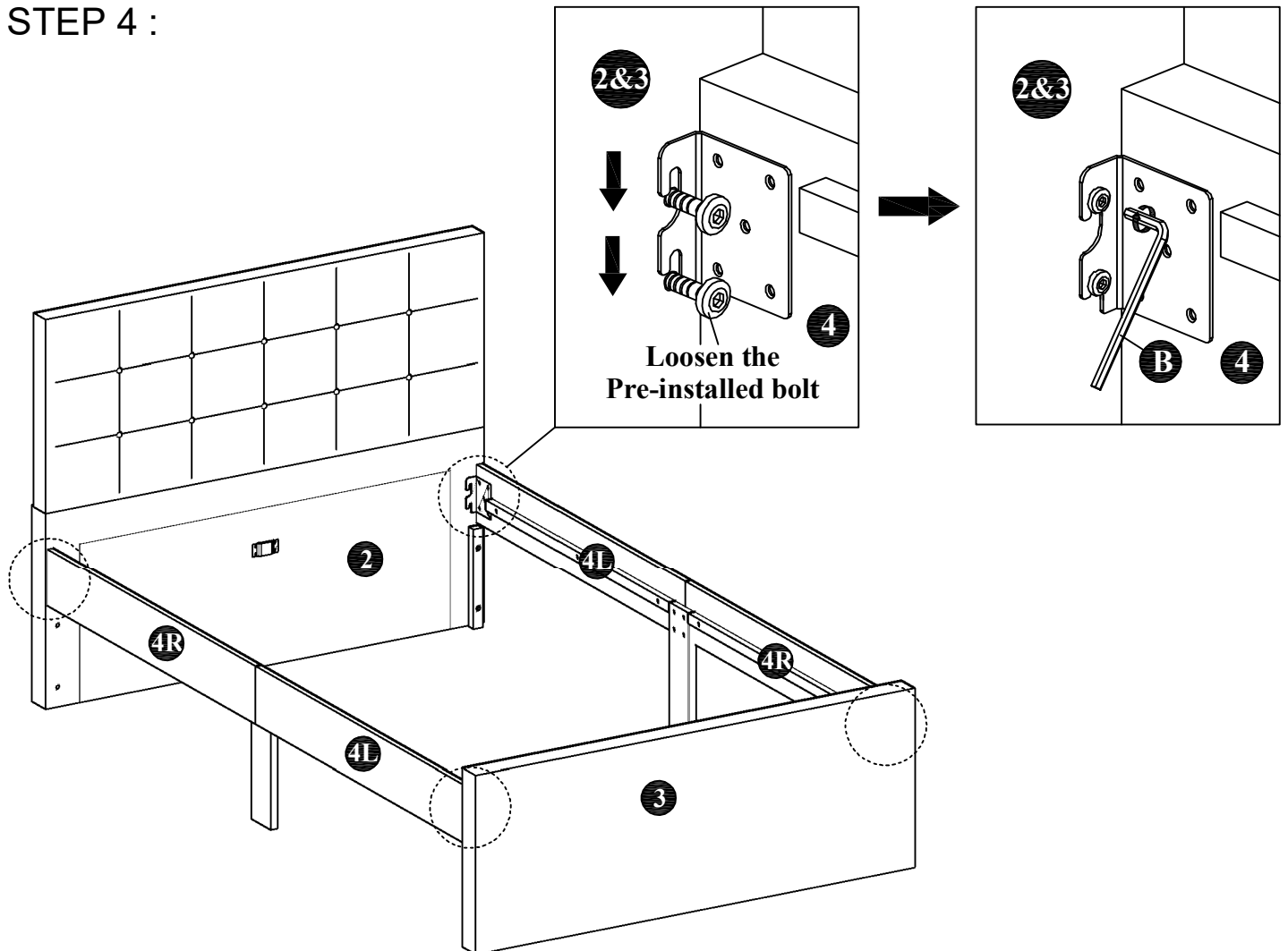


ASSEMBLY INSTRUCTIONS

STEP 3 :

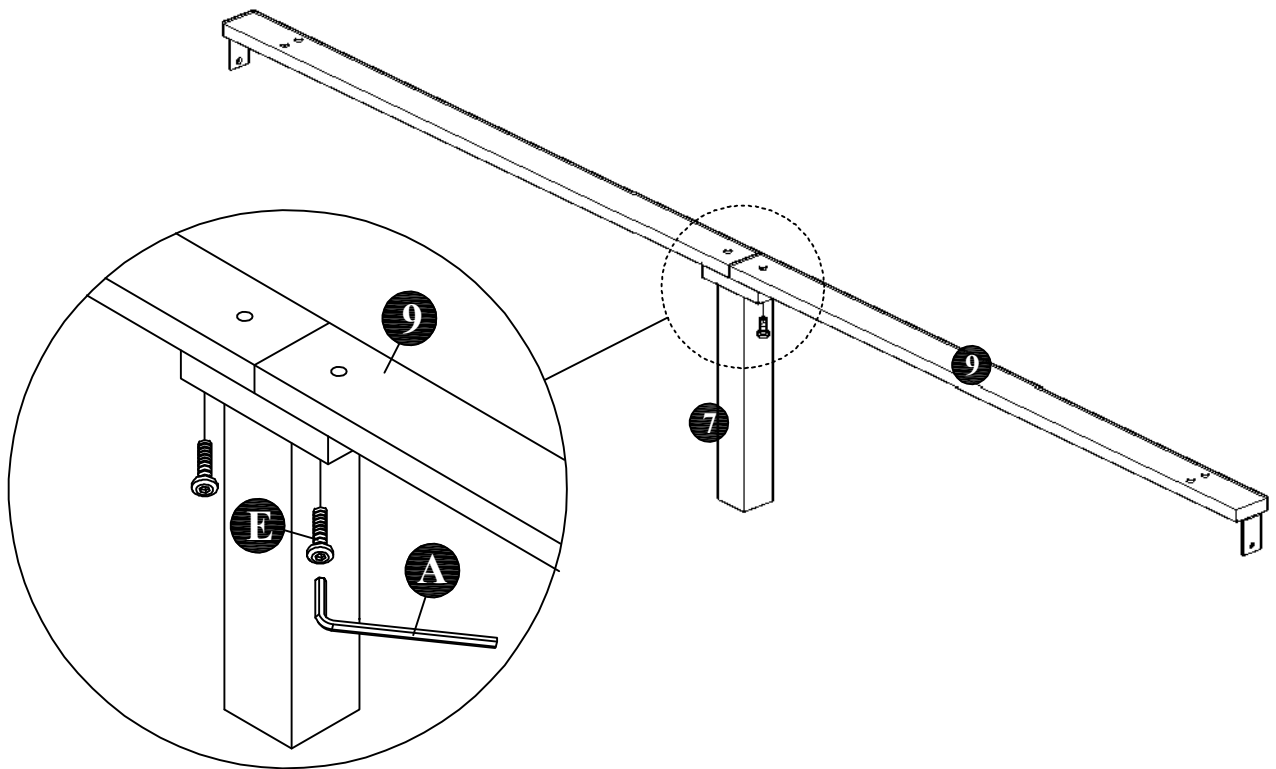


STEP 4 :

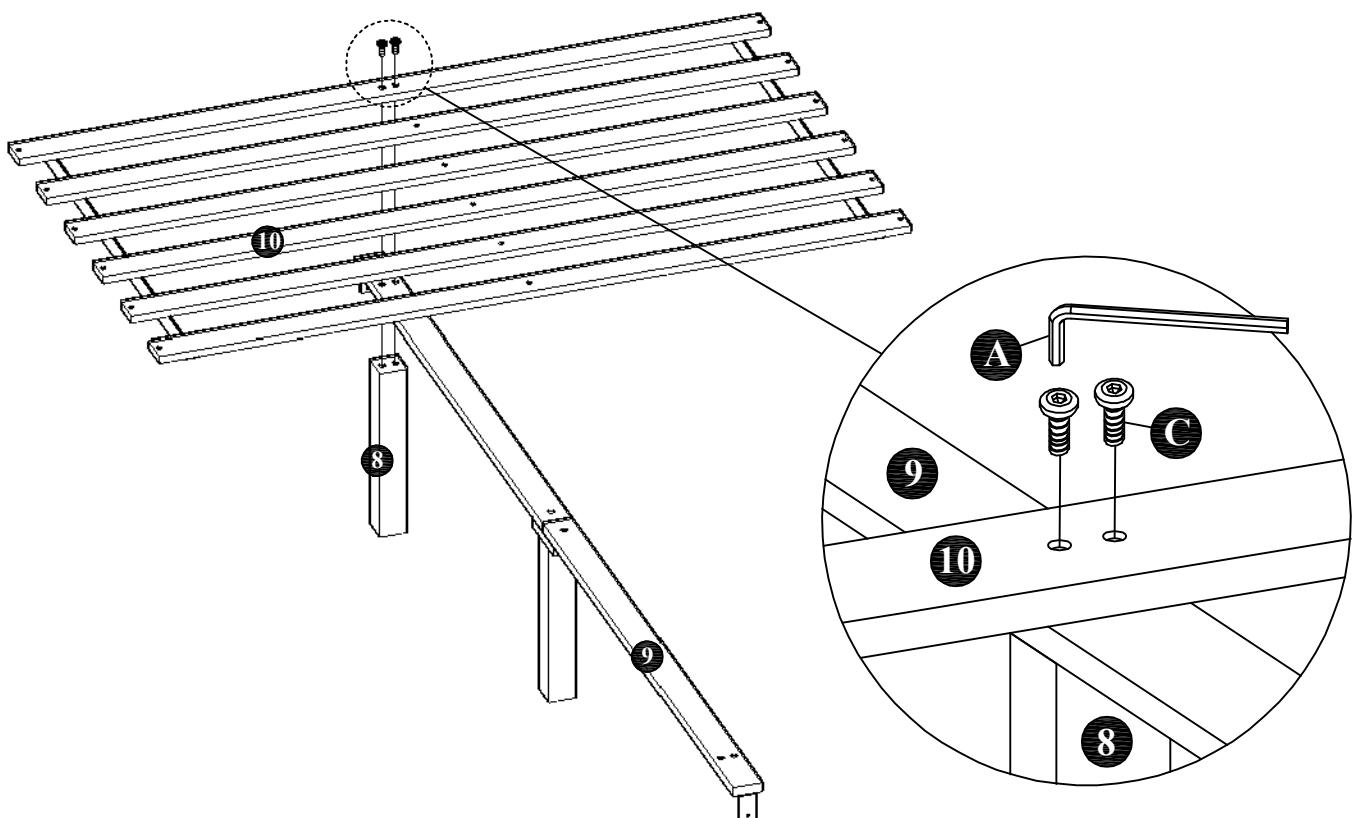


ASSEMBLY INSTRUCTIONS

STEP 5 :

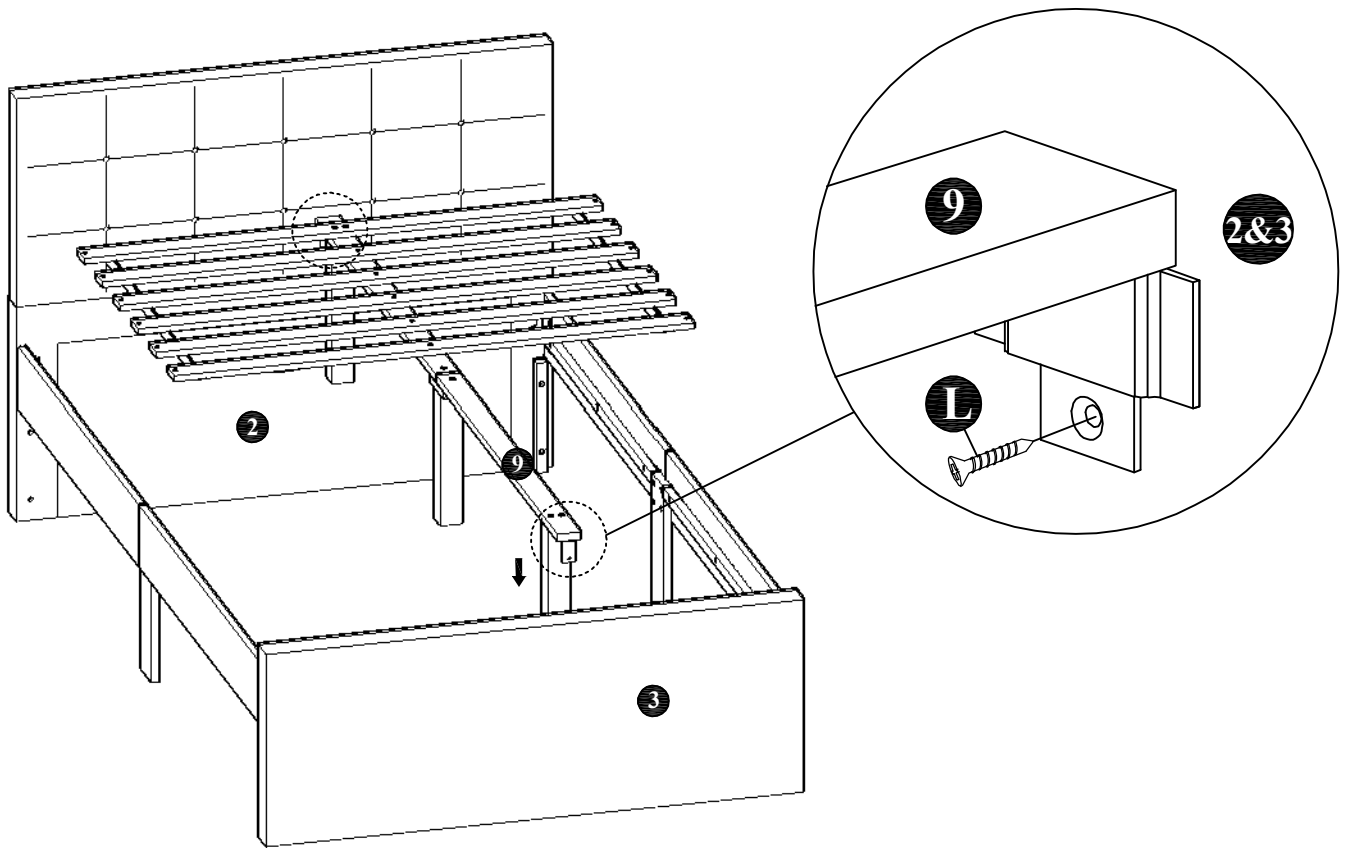


STEP 6 :

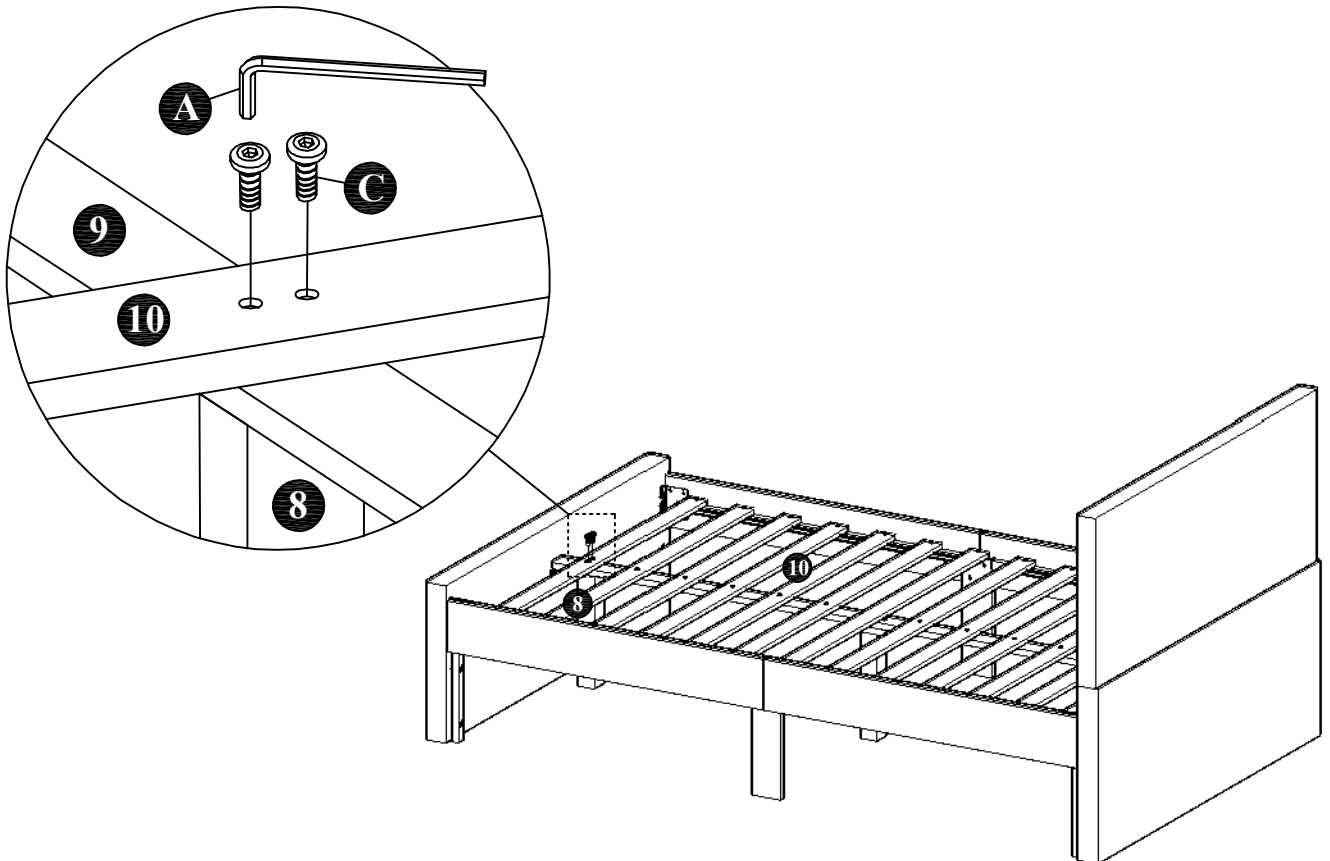


ASSEMBLY INSTRUCTIONS

STEP 7 :

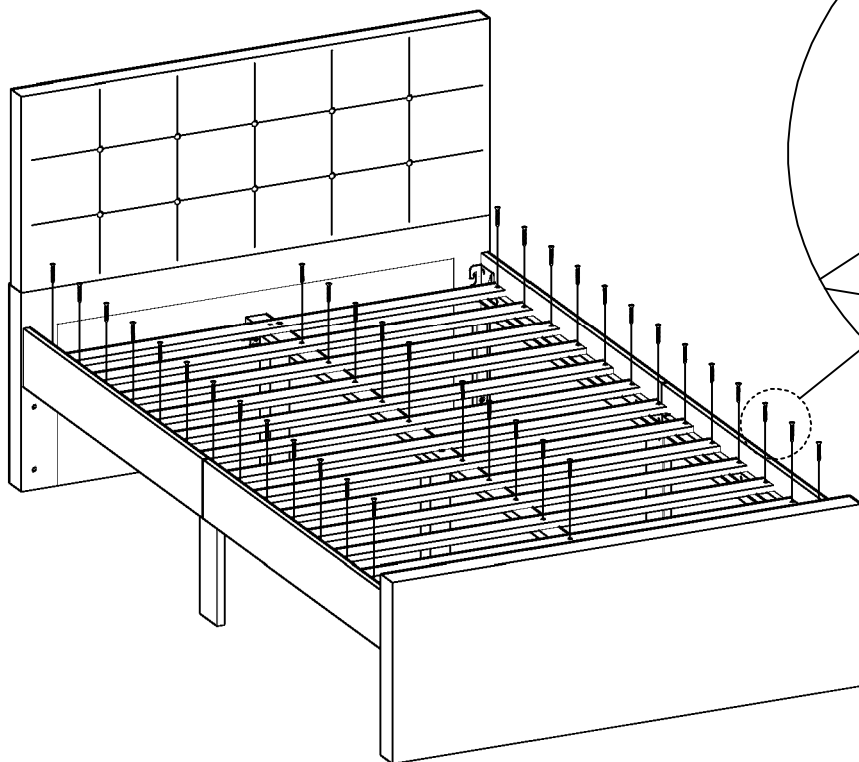


STEP 8 :

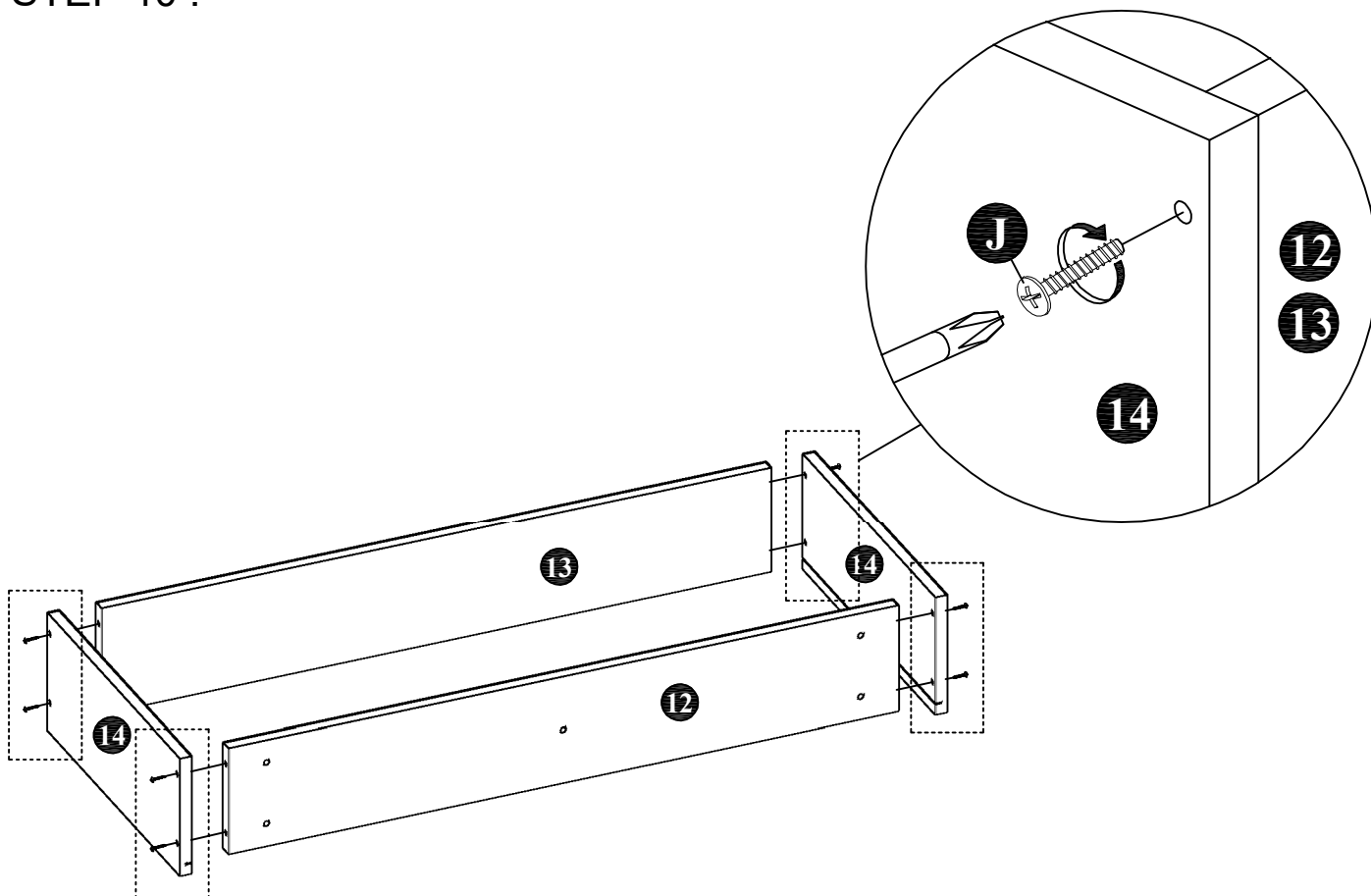


ASSEMBLY INSTRUCTIONS

STEP 9 :

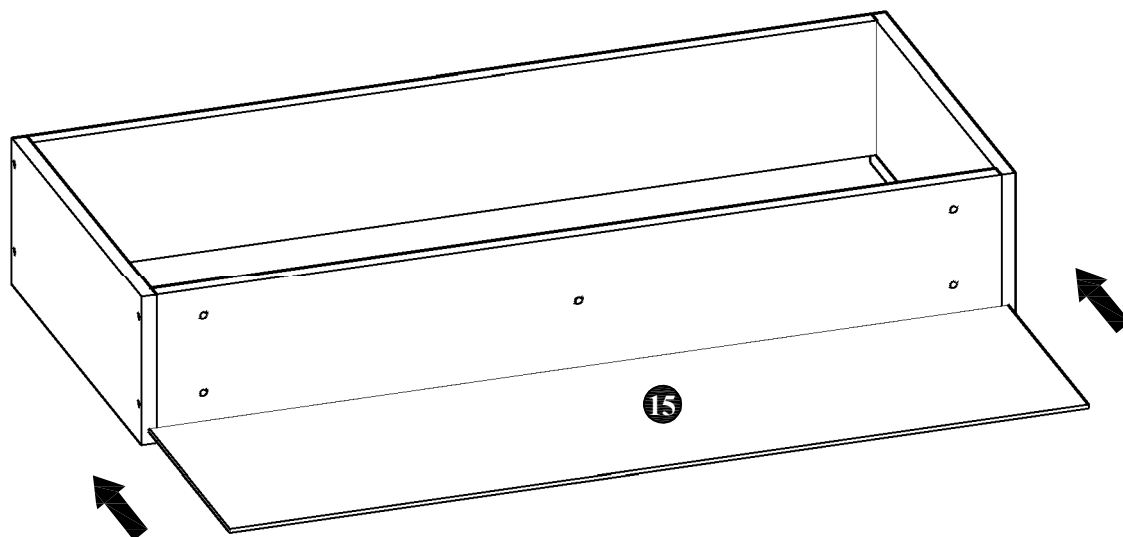


STEP 10 :

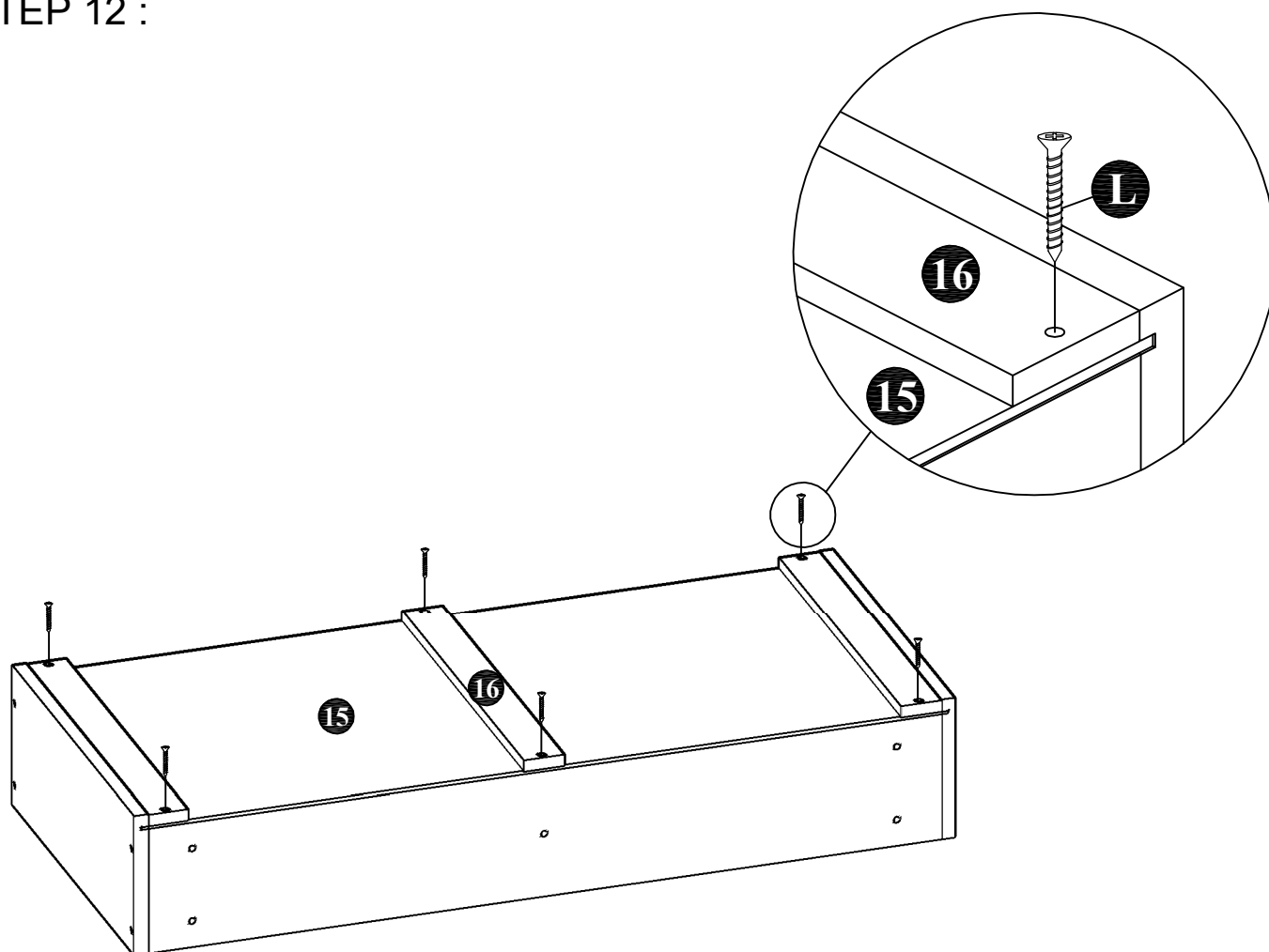


ASSEMBLY INSTRUCTIONS

STEP 11 :

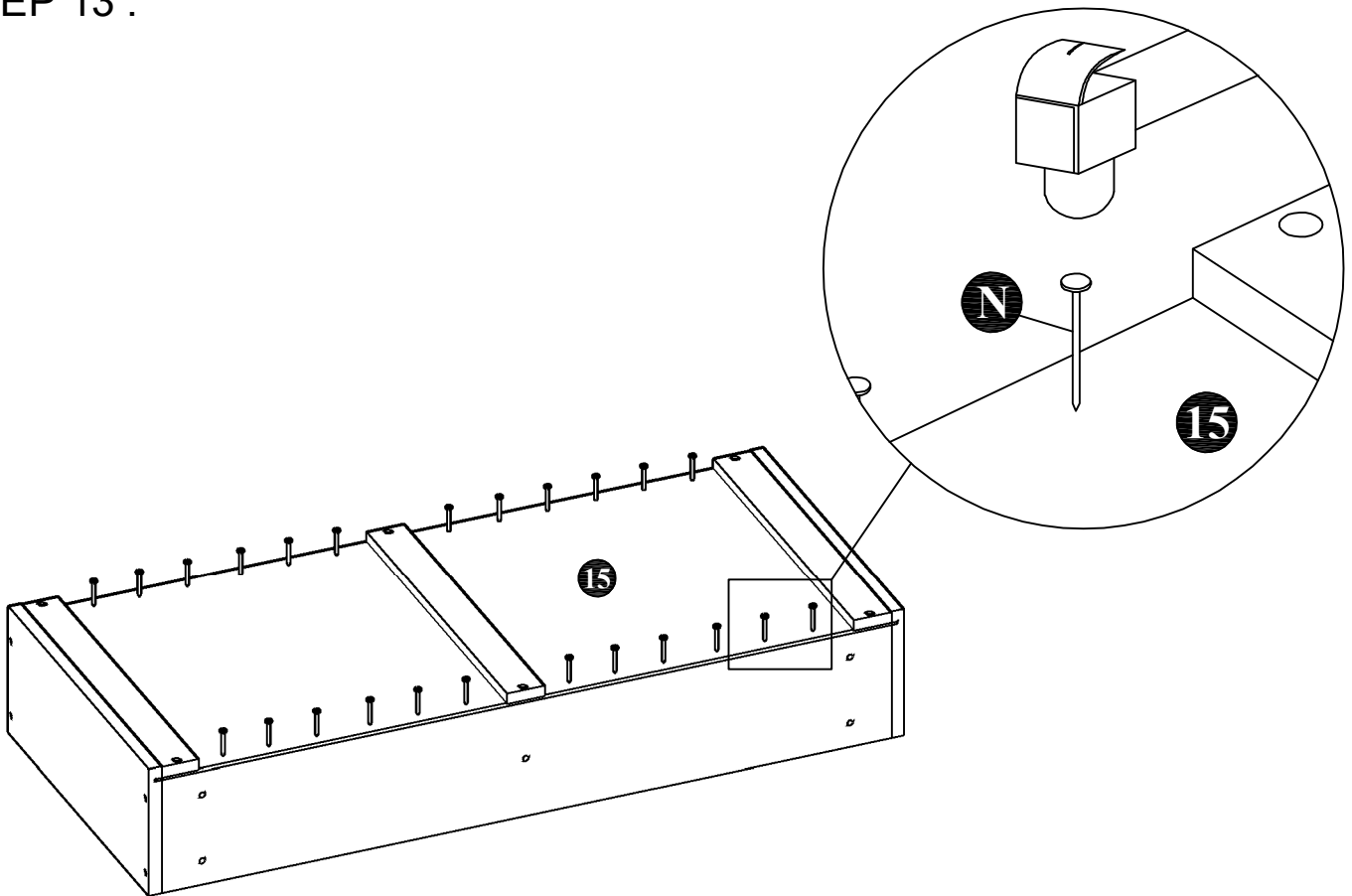


STEP 12 :

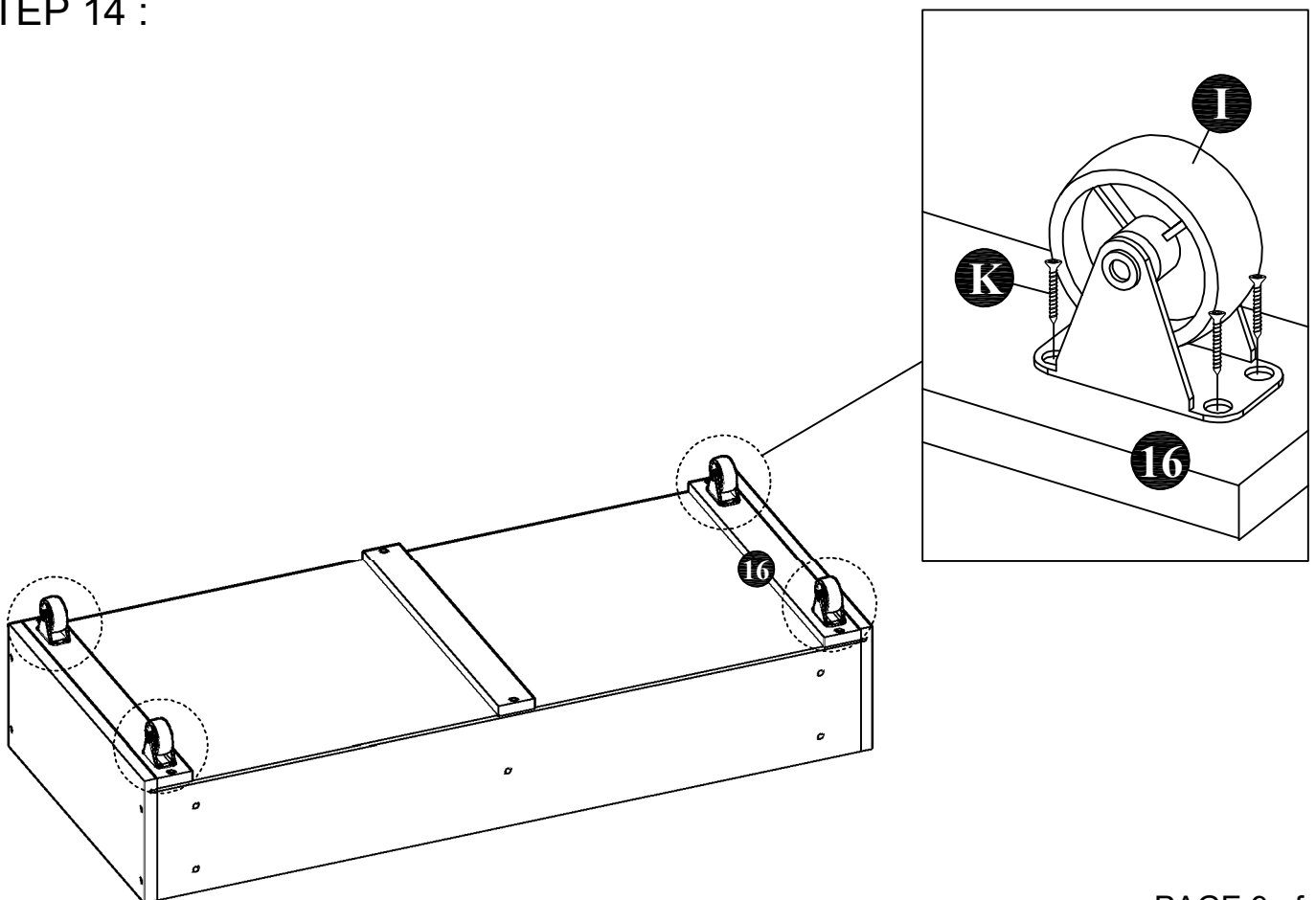


ASSEMBLY INSTRUCTIONS

STEP 13 :

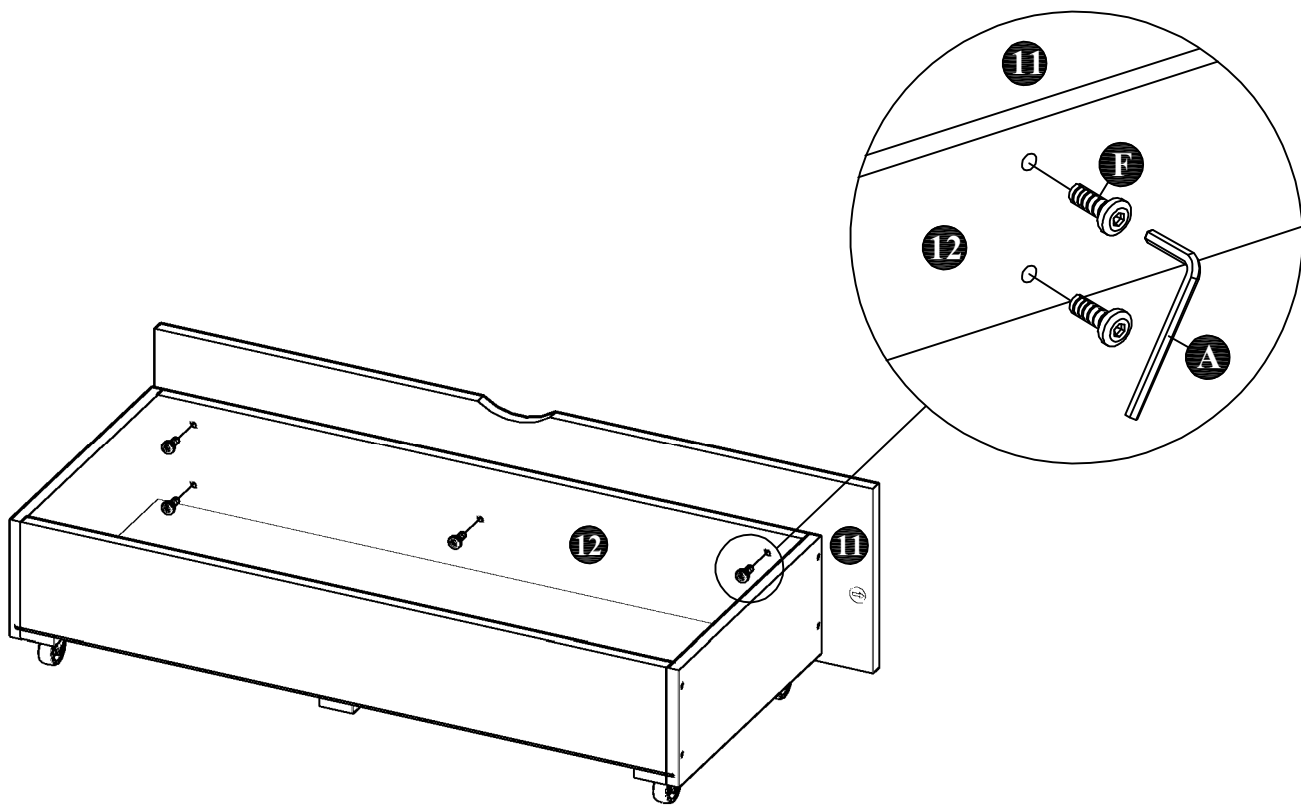


STEP 14 :

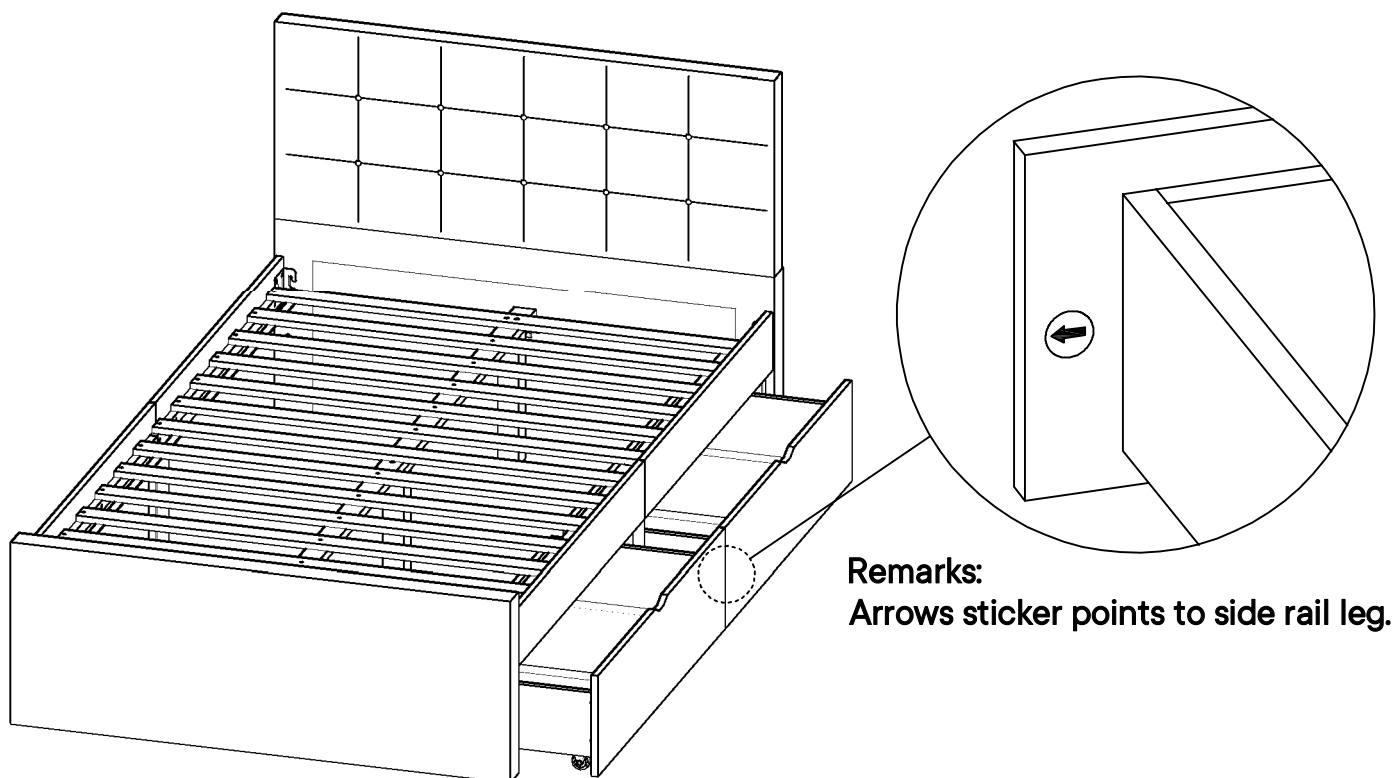


ASSEMBLY INSTRUCTIONS

STEP 15 :



STEP 16 :



Remarks:
Arrows sticker points to side rail leg.

ASSEMBLY INSTRUCTIONS

COMPLETE VIEW

IMPORTANT

Please lift up the bed to move
with 2 or more people.

DO NOT DRAG THE BED!

