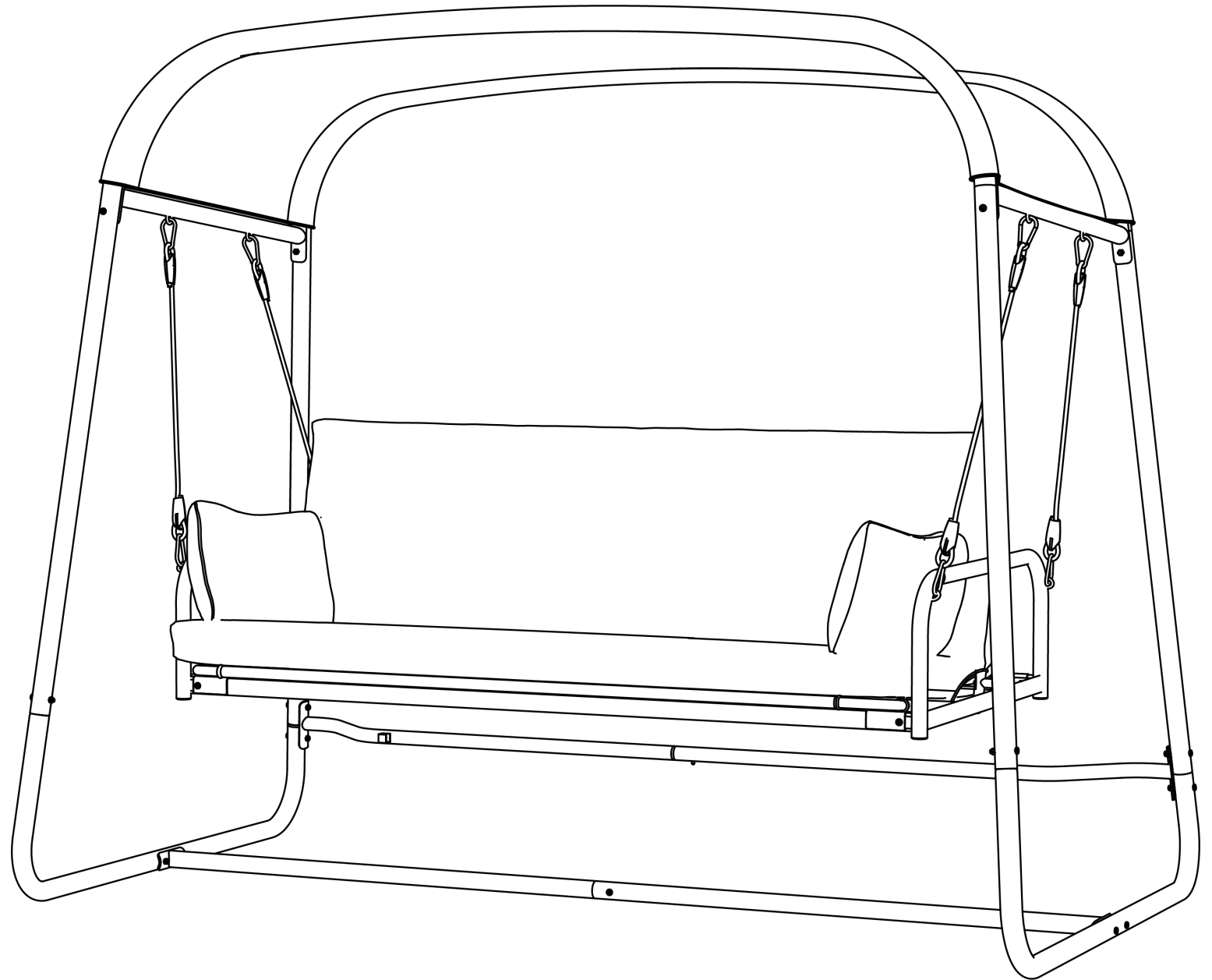


38756



# ACCESSORIES



1

M6\*12mm

×4



2

M6\*35mm

×4



3

M6\*42mm

×1



4

M6\*50mm

×18



5

M8\*70mm

×2



6

M6

×50



7

M8

×2



8

M6

×23



9

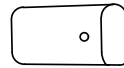
M8

×2



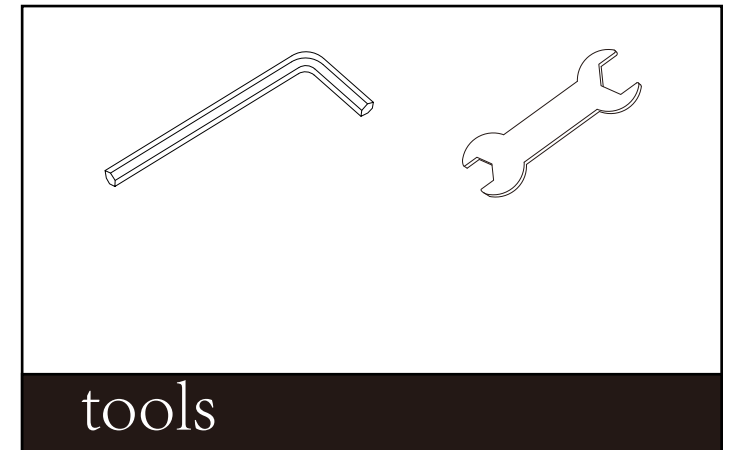
10

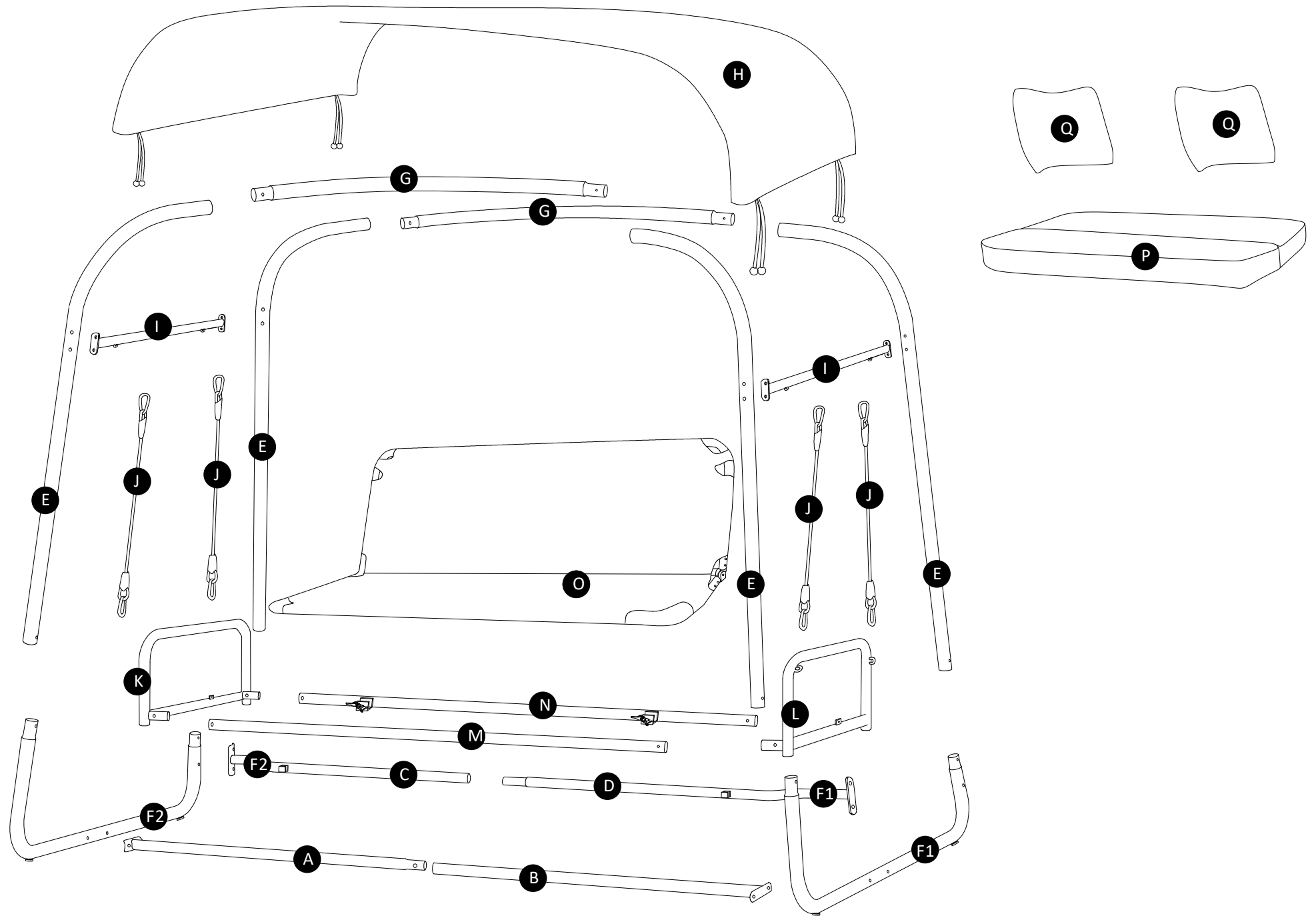
×2



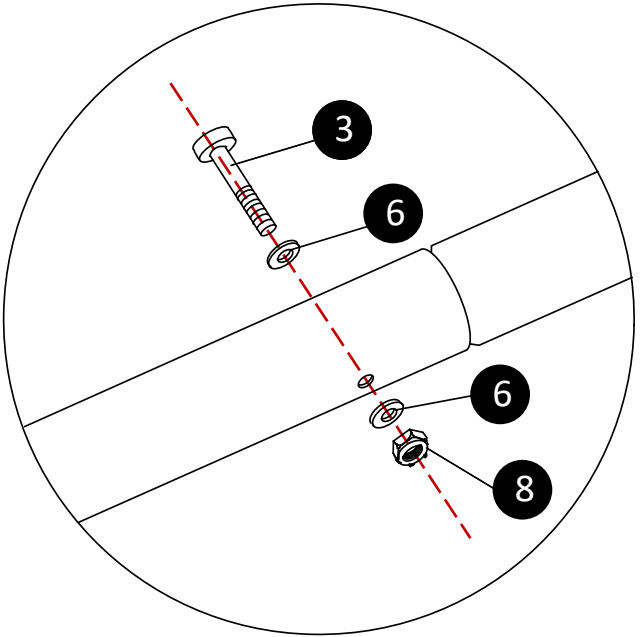
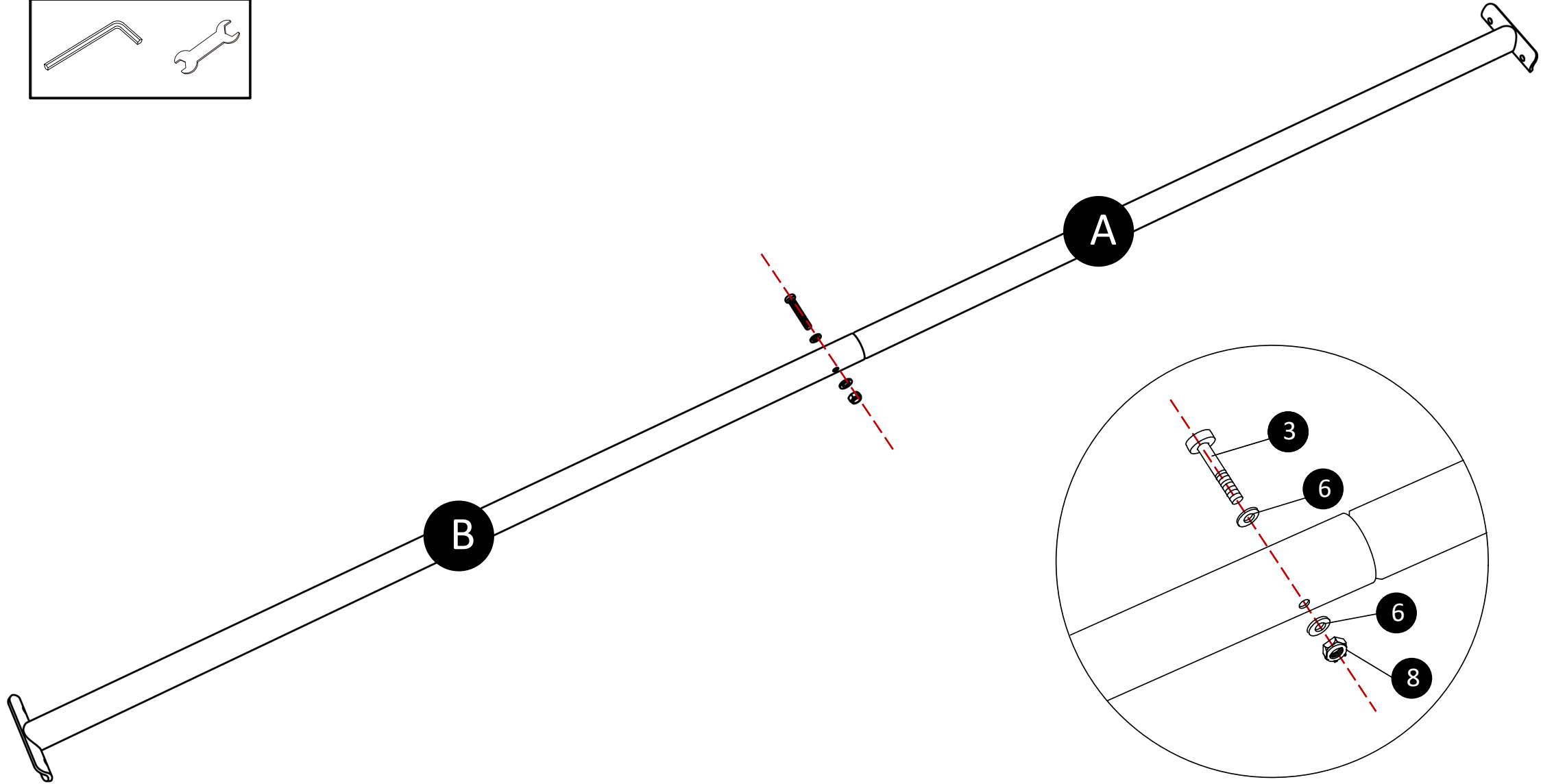
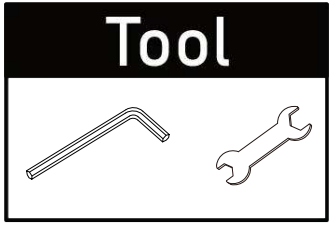
11

×4

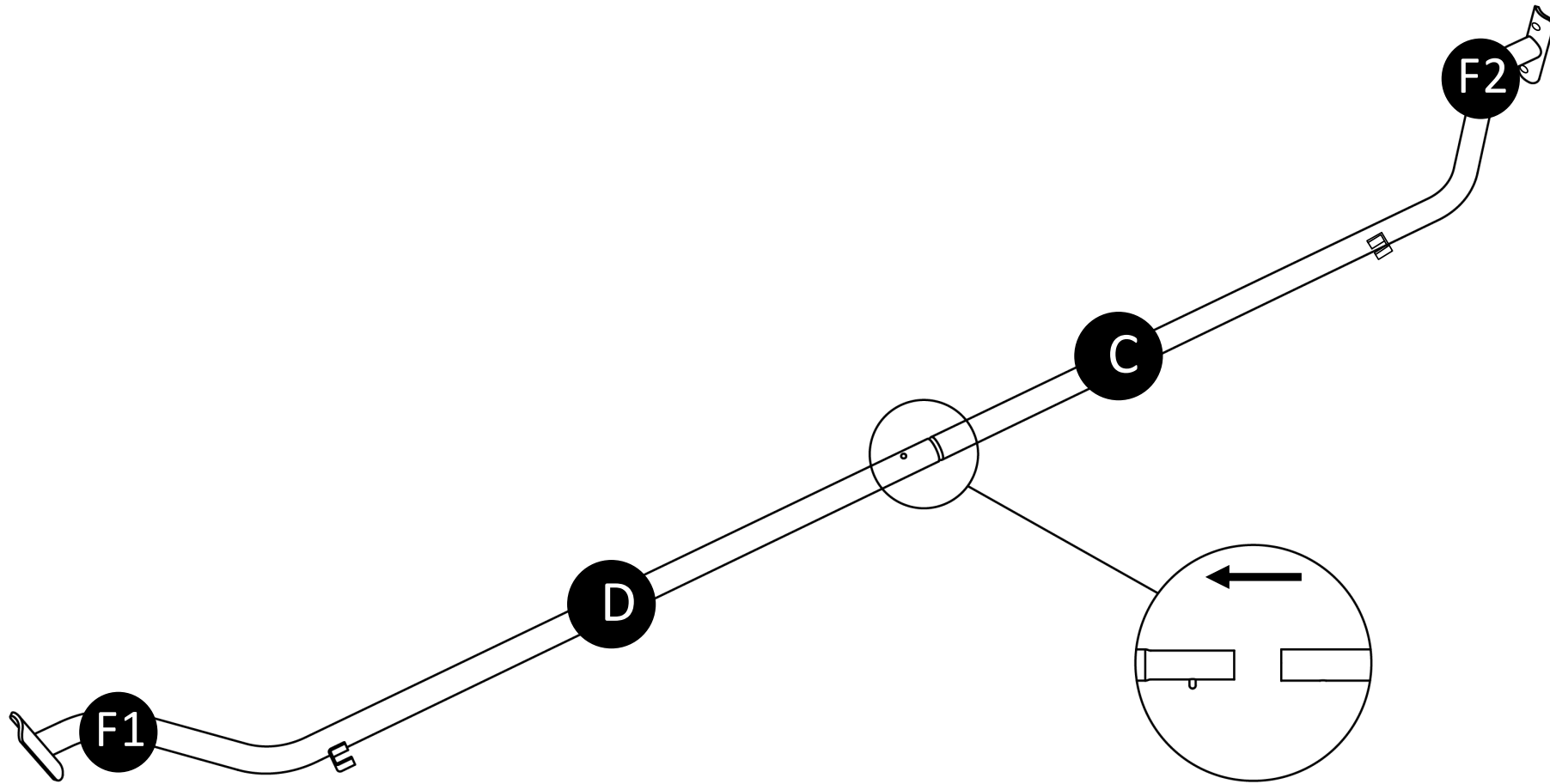




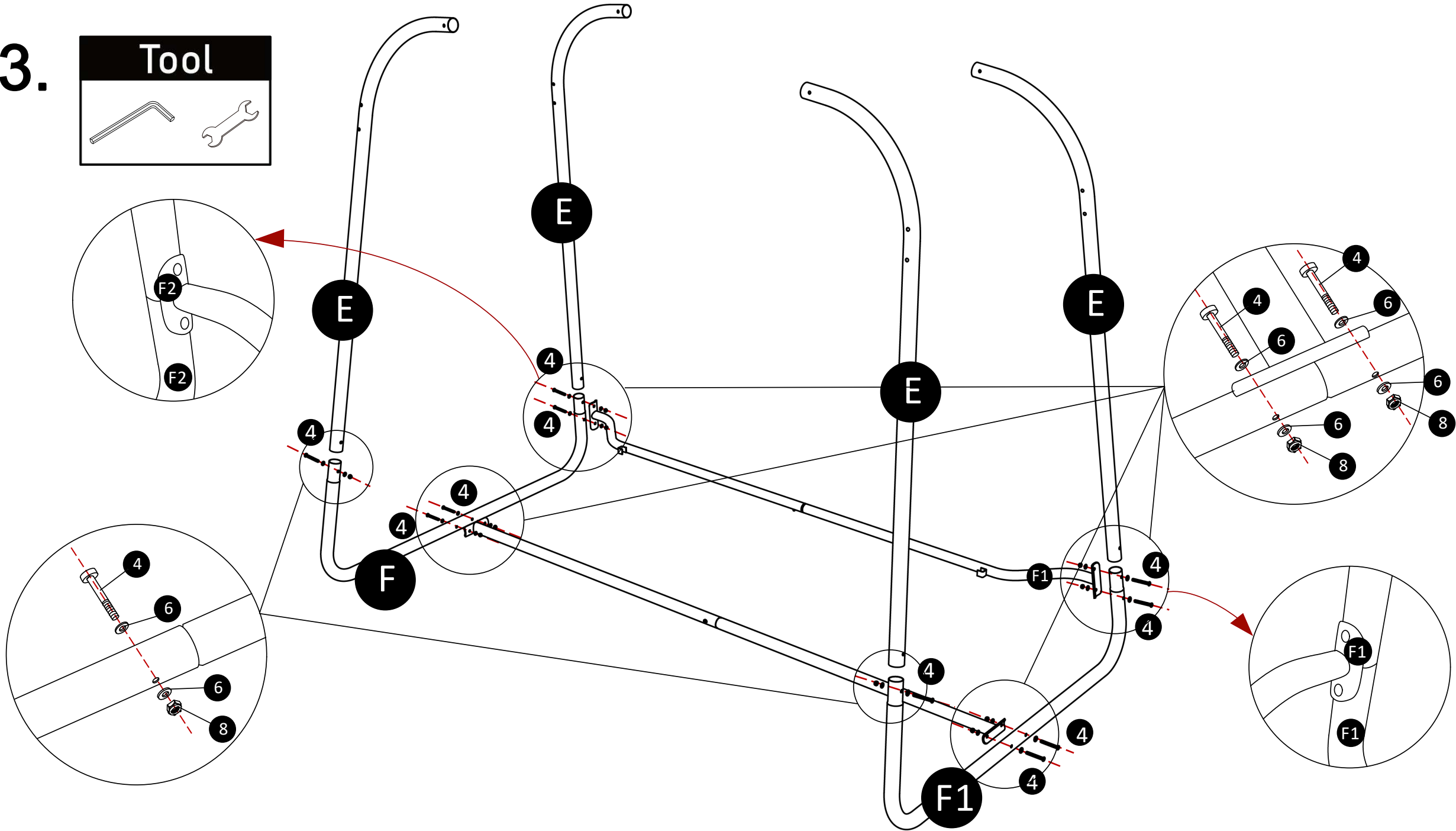
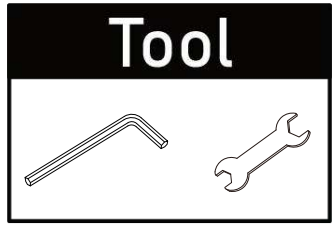
1.



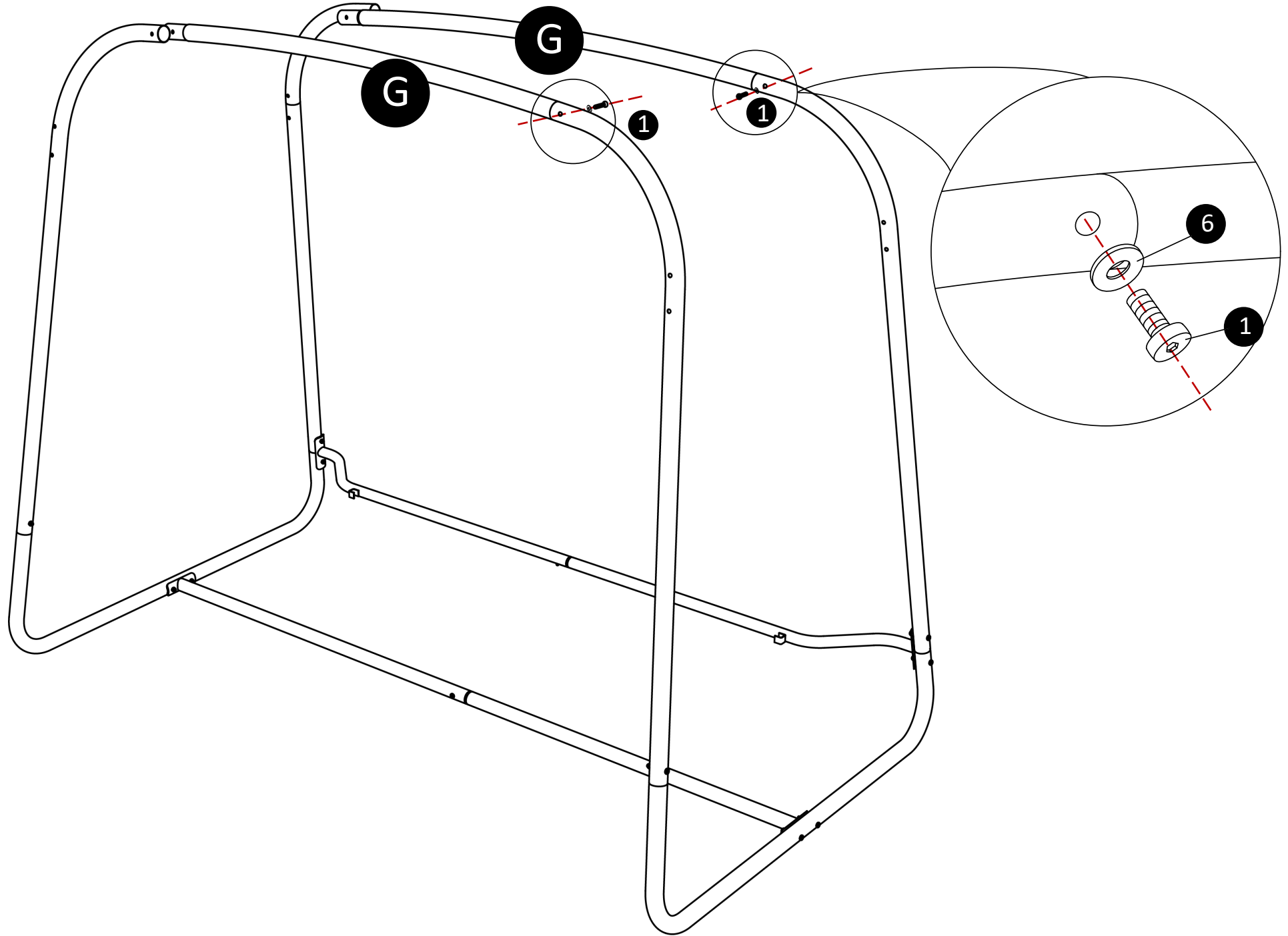
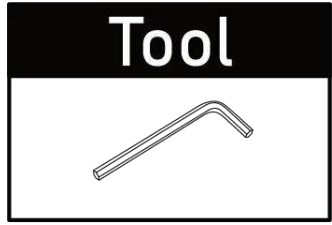
2.



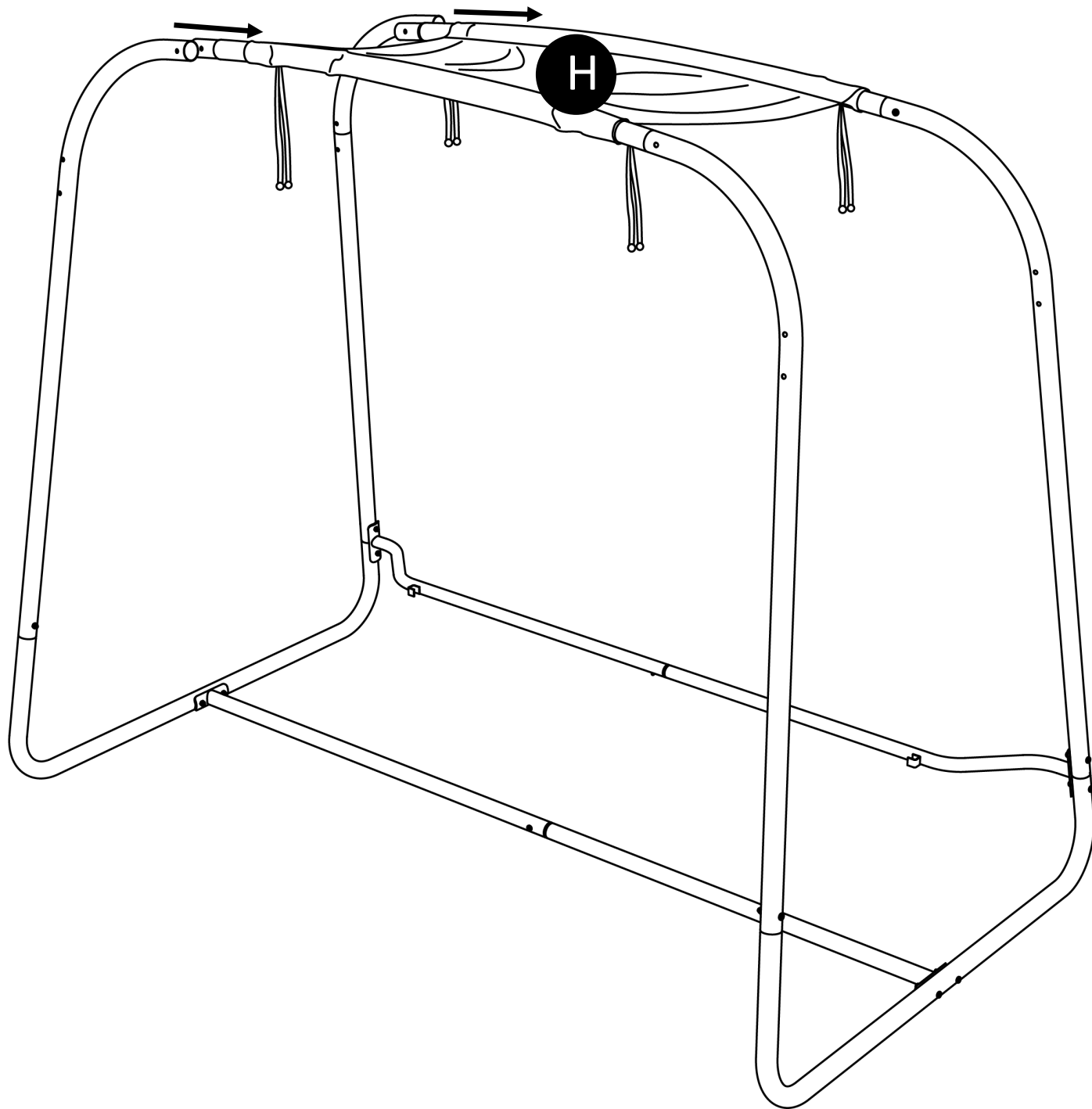
3.



4.

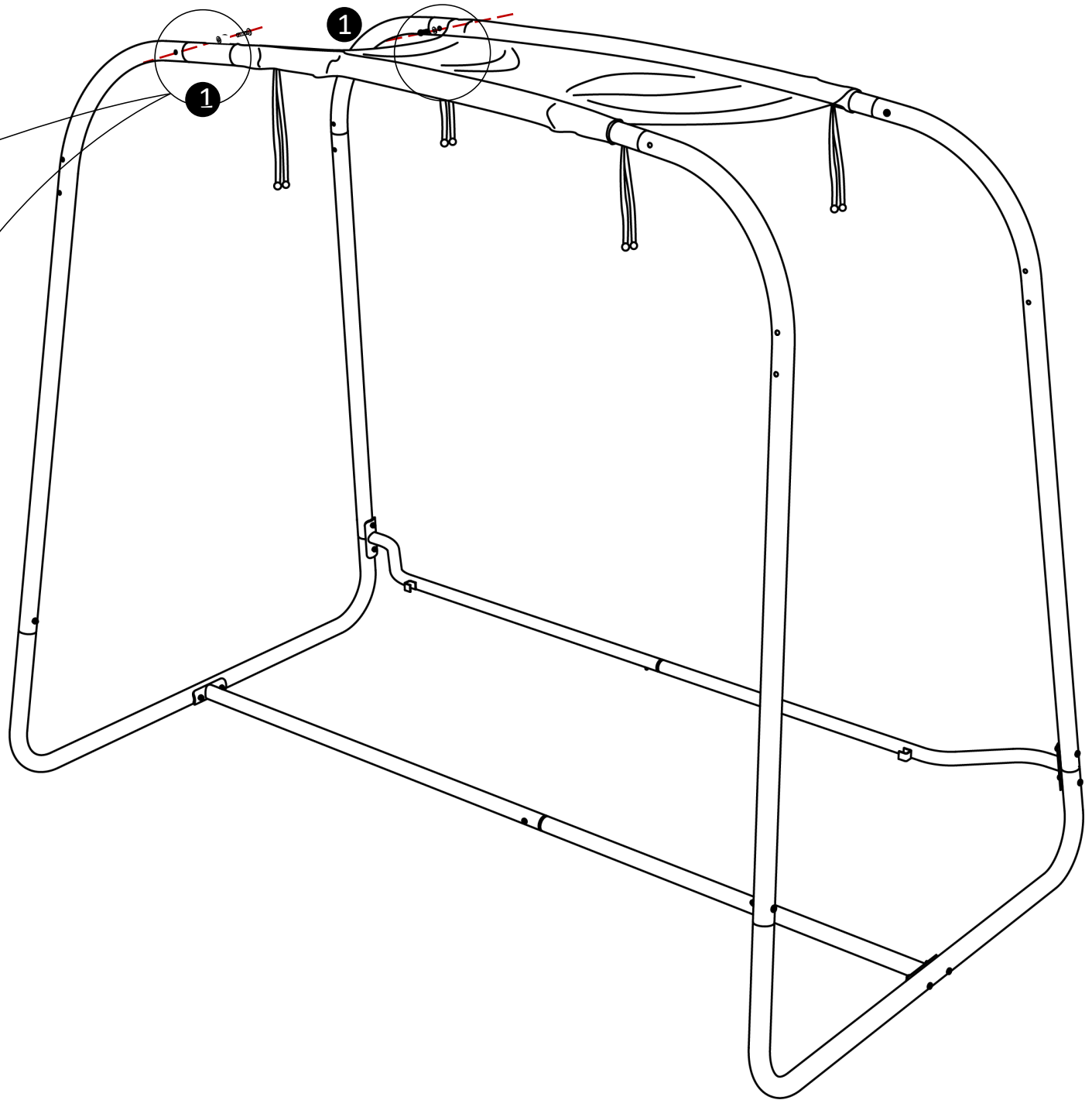
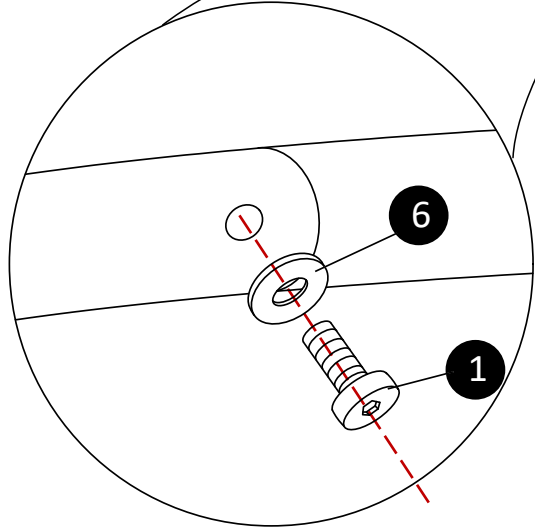
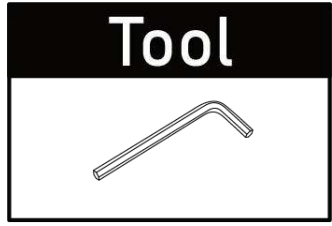


5.

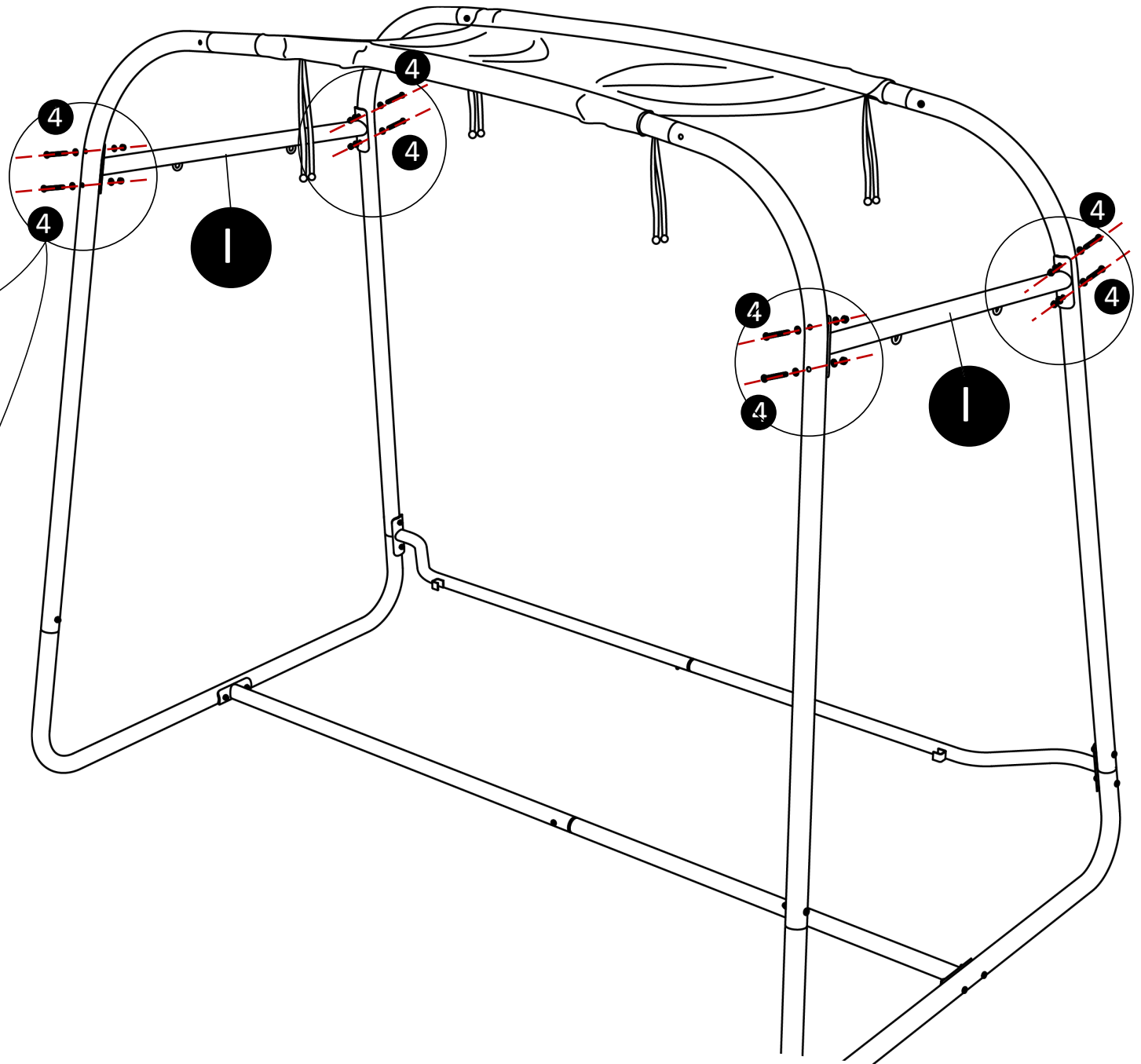
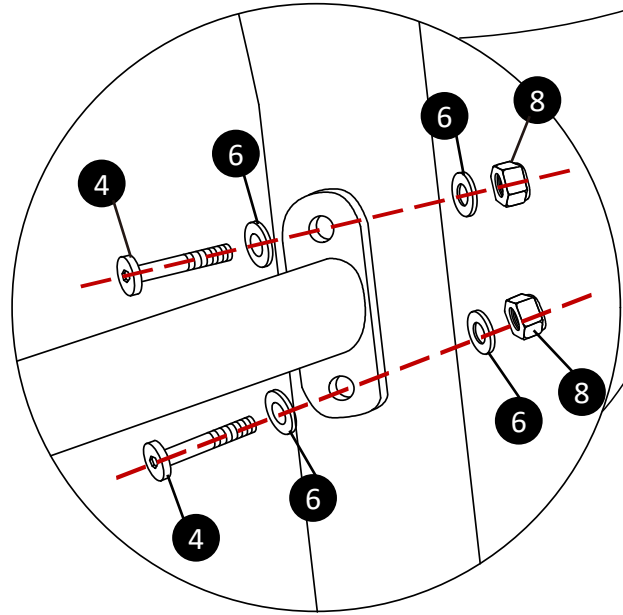
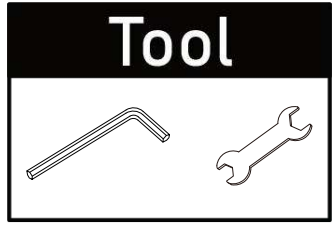




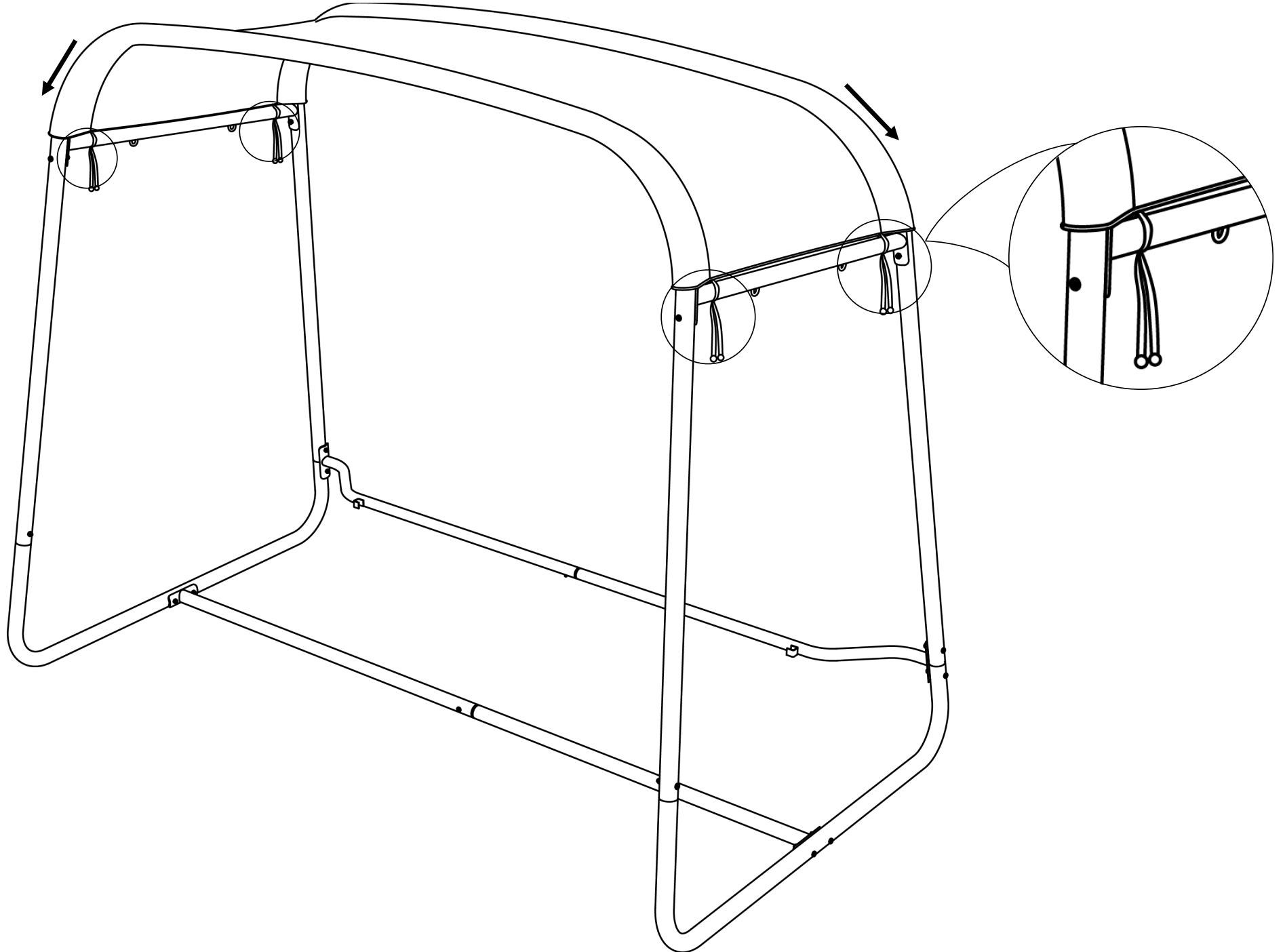
6.



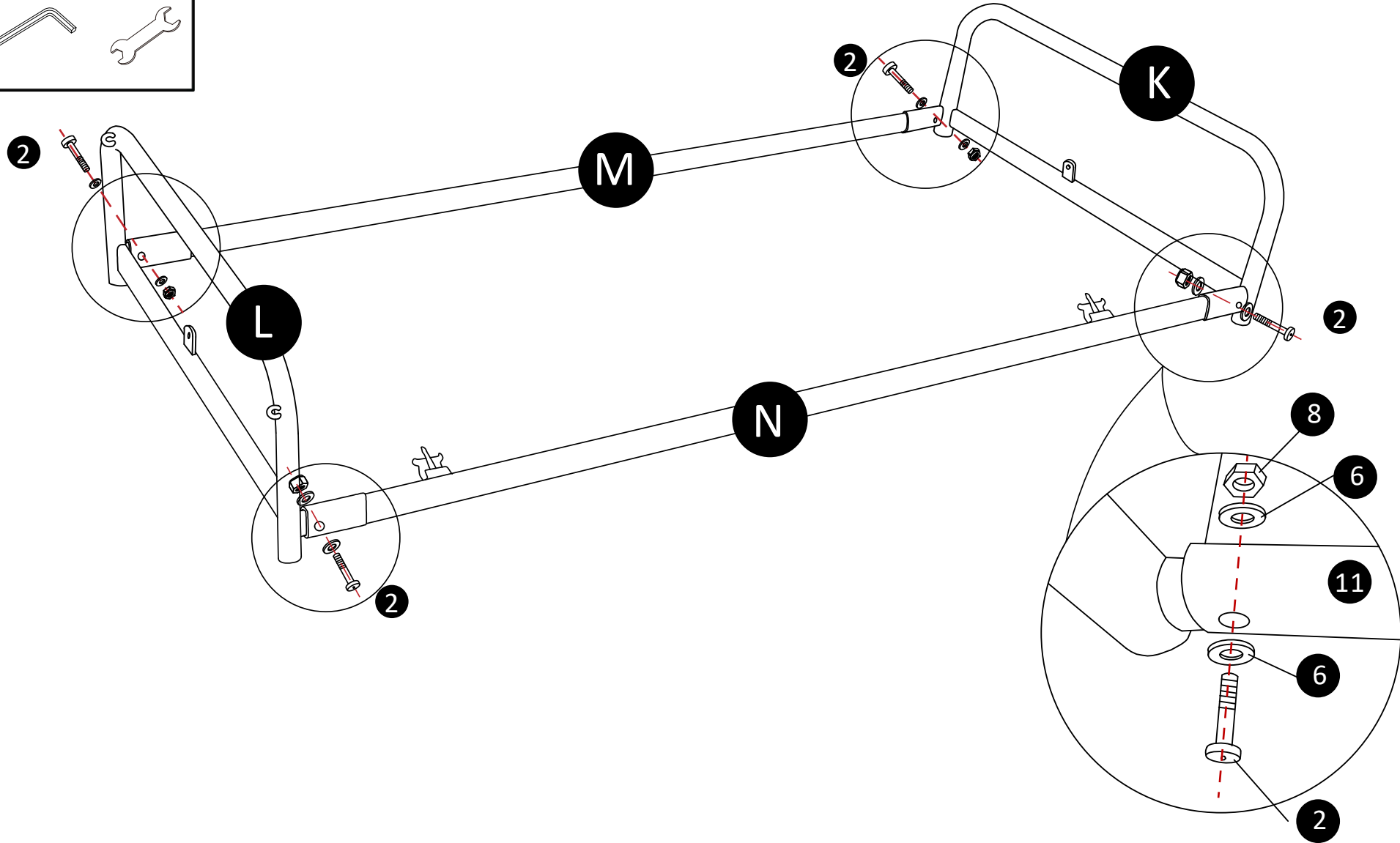
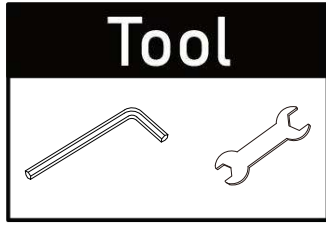
7.



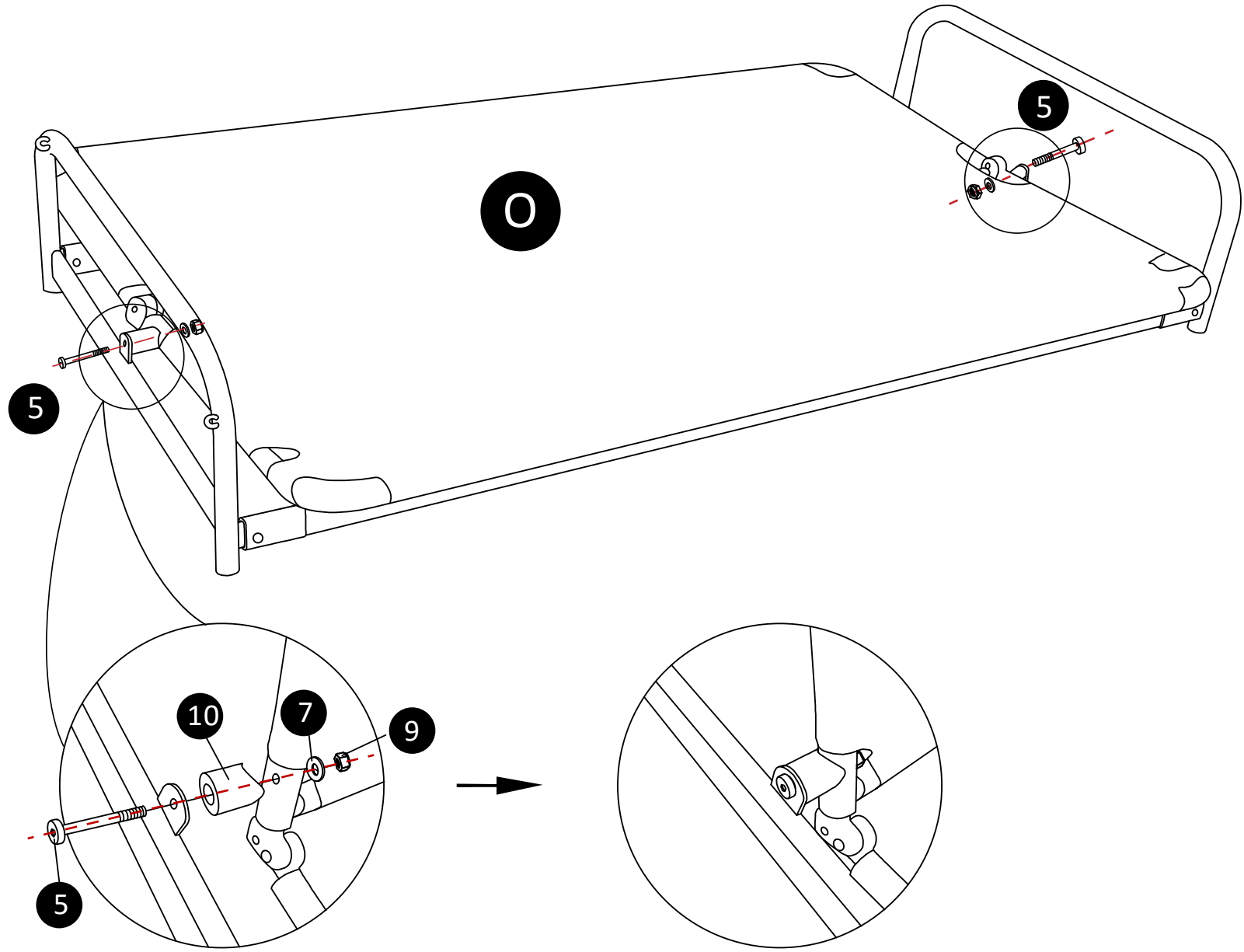
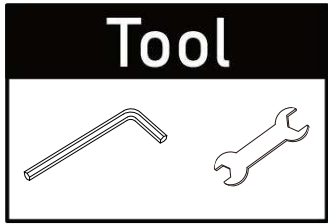
8.



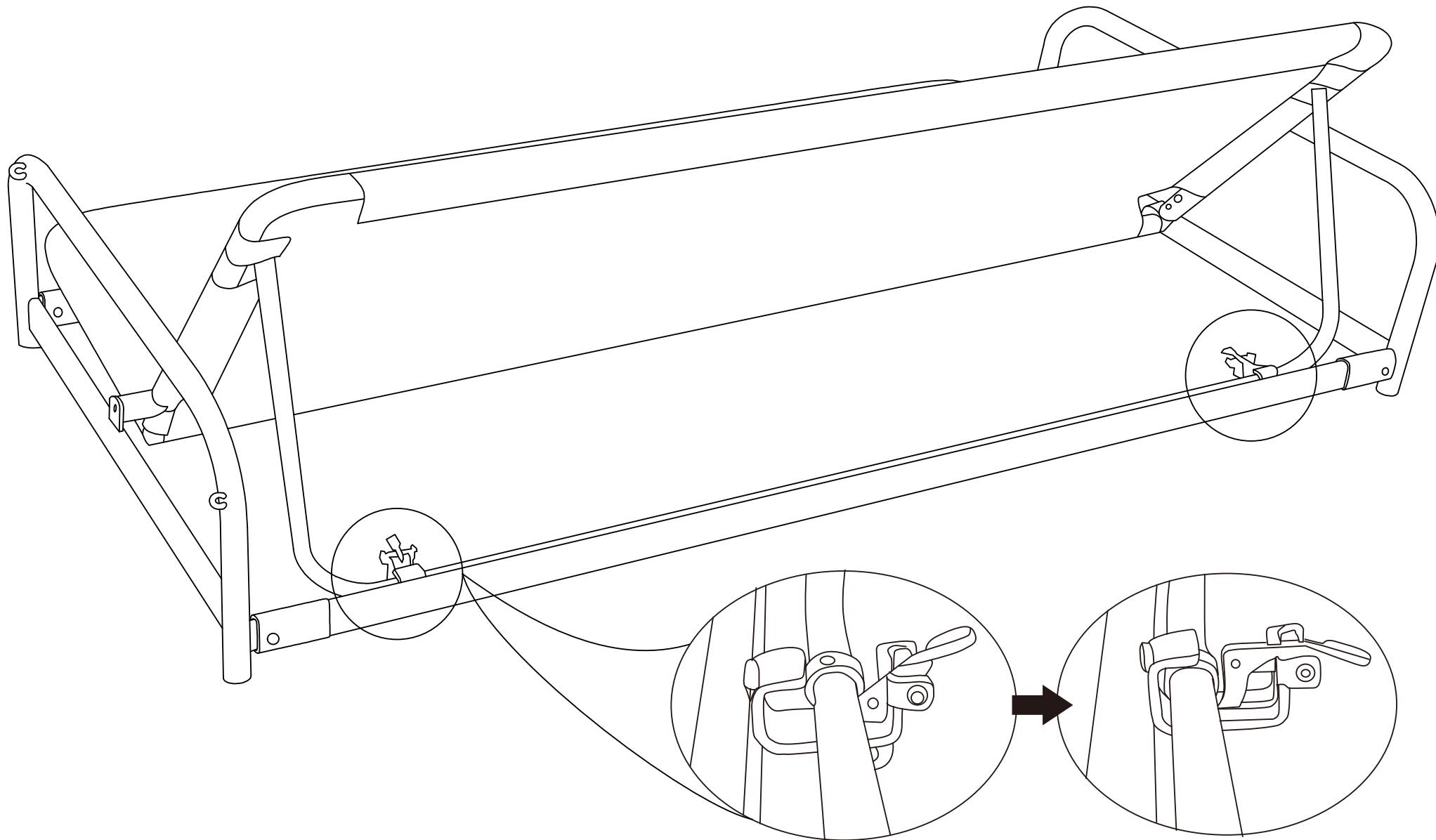
9.



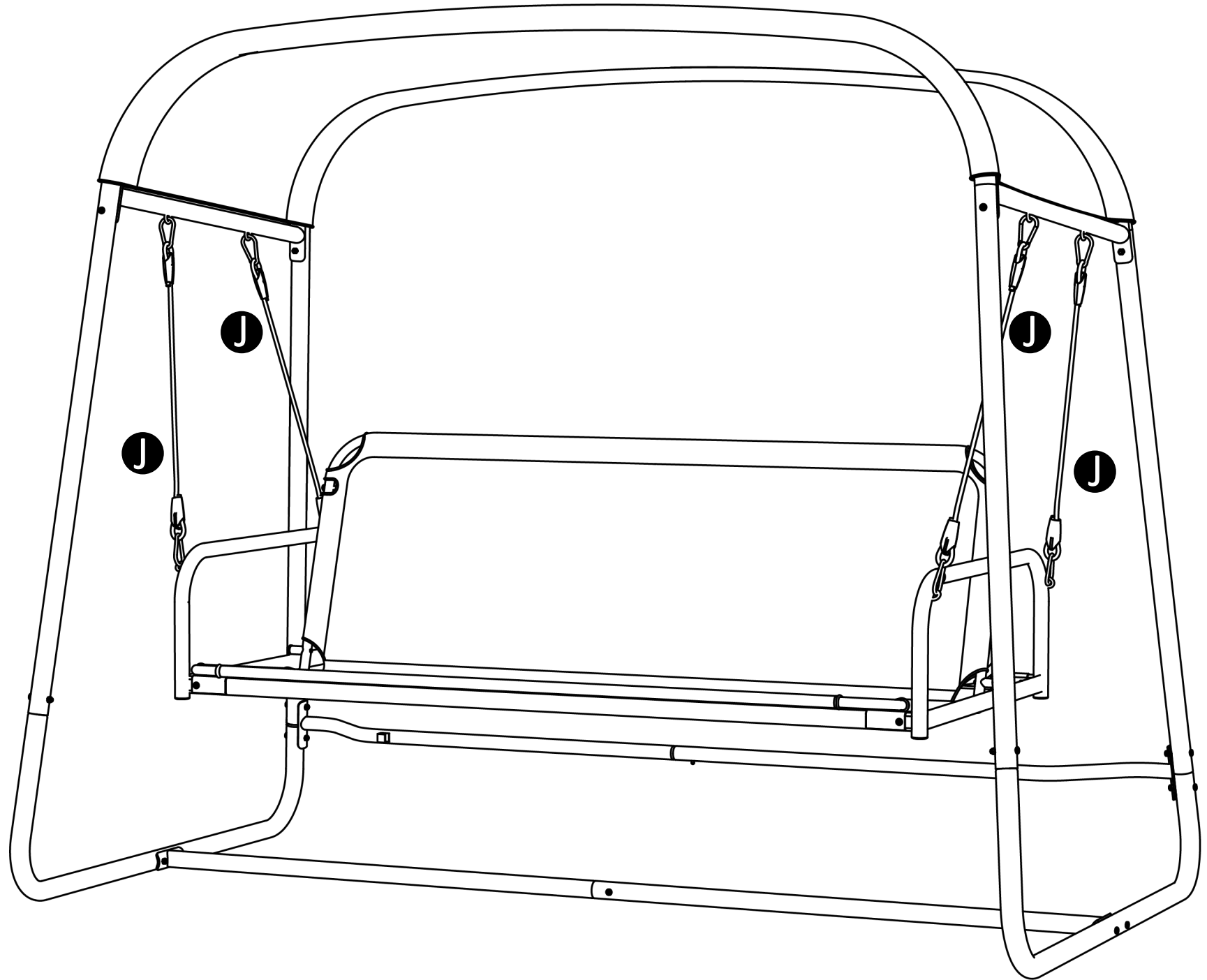
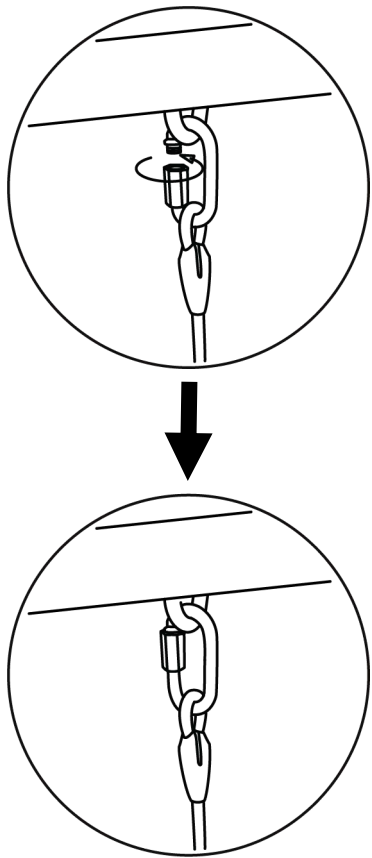
10.



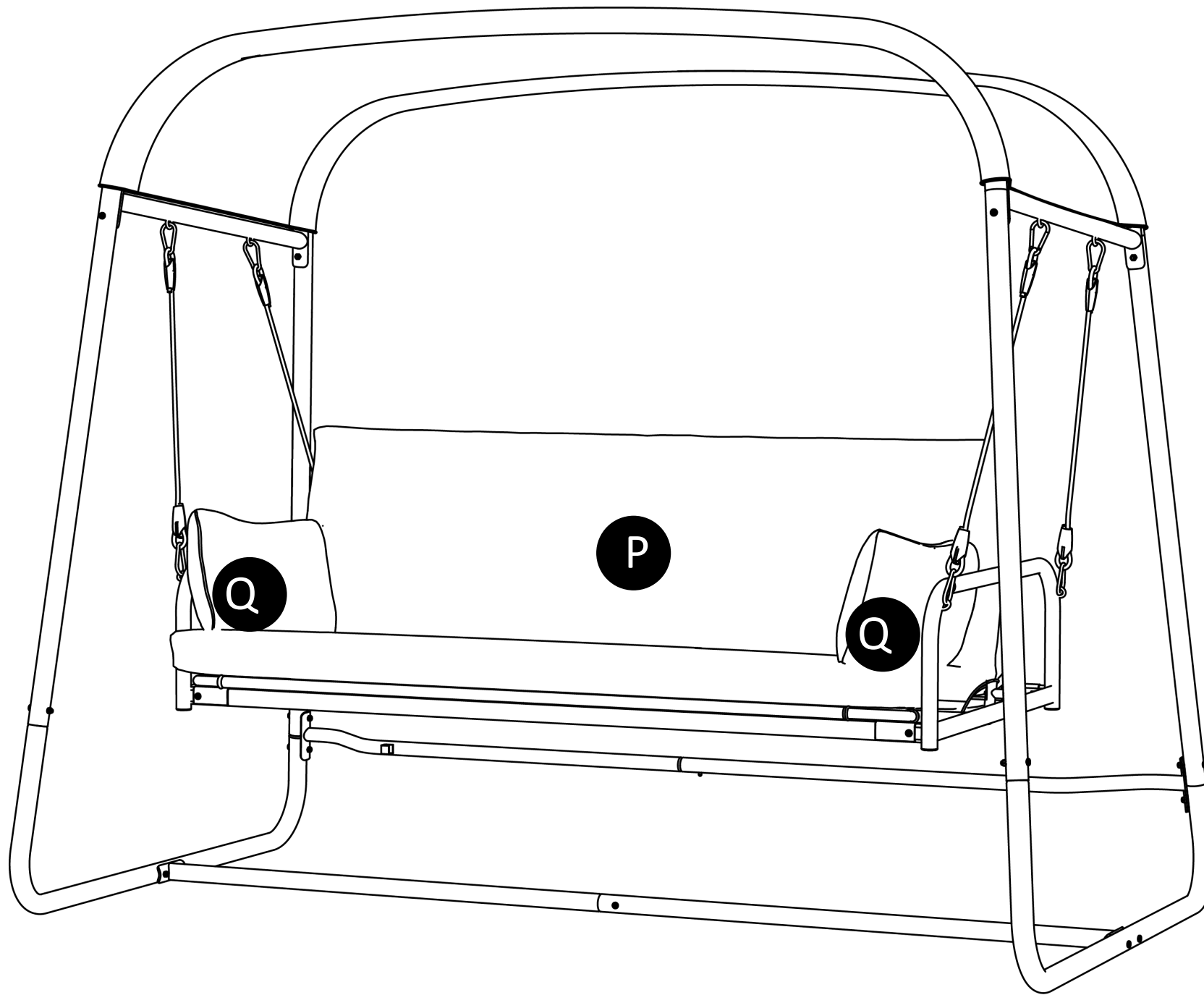
11.



12.



13.





# 14.

Note:  
The function transformation needs two people to cooperate the operation

