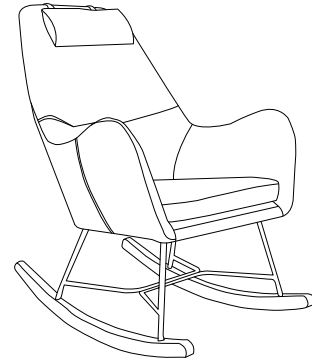
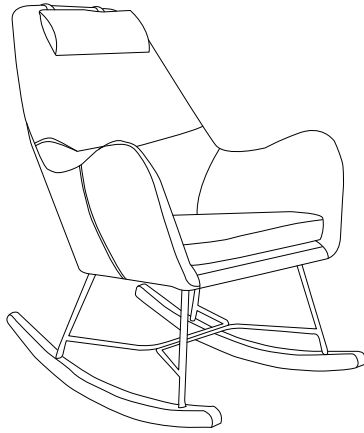


ARRIE



30'

1

Beliani

1/5

Beliani

1107/ARRIE/2106/23/

A	B1	B2	C	D
x 1	x 1	x 1	x 2	x 1

D

A

B1

B2

C x 2

E	F	G
x 8	x 4	x 1

2/5

Beliani

1107/ARRIE/2106/23/

1	A	B2	B1	E	G
	x 1	x 1	x 1	x 8	x 1

1

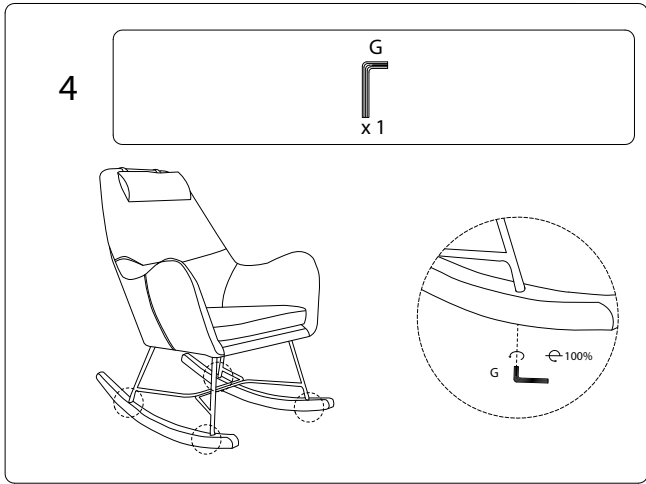
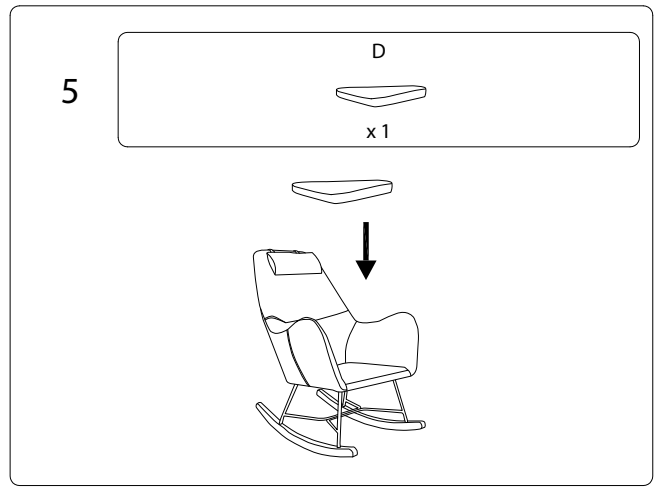
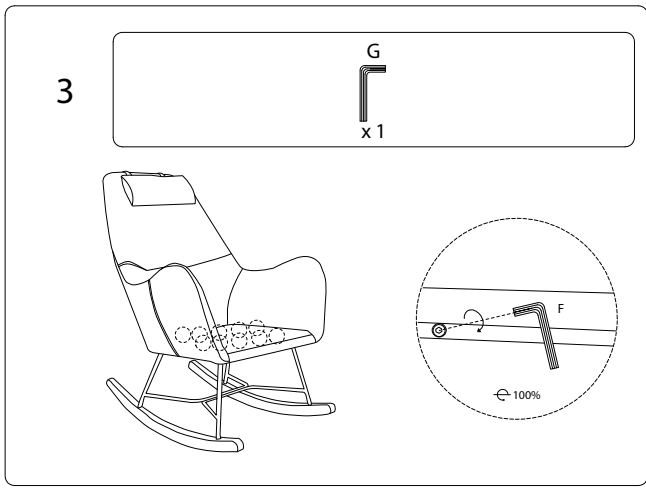
2

2	C	F	G
	x 2	x 4	x 1

3/5

Beliani

1107/ARRIE/2106/23/



4/5

Beliani
1107/ARRIEZ10623/

5/5

Beliani
1107/ARRIEZ10623/