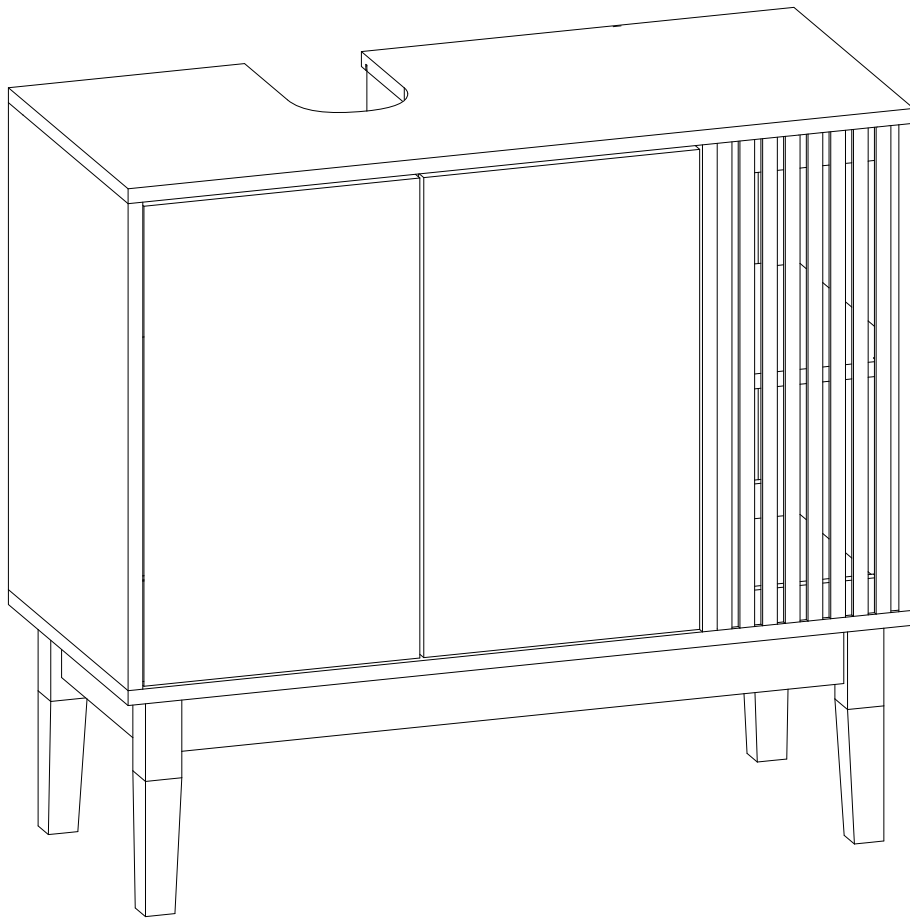
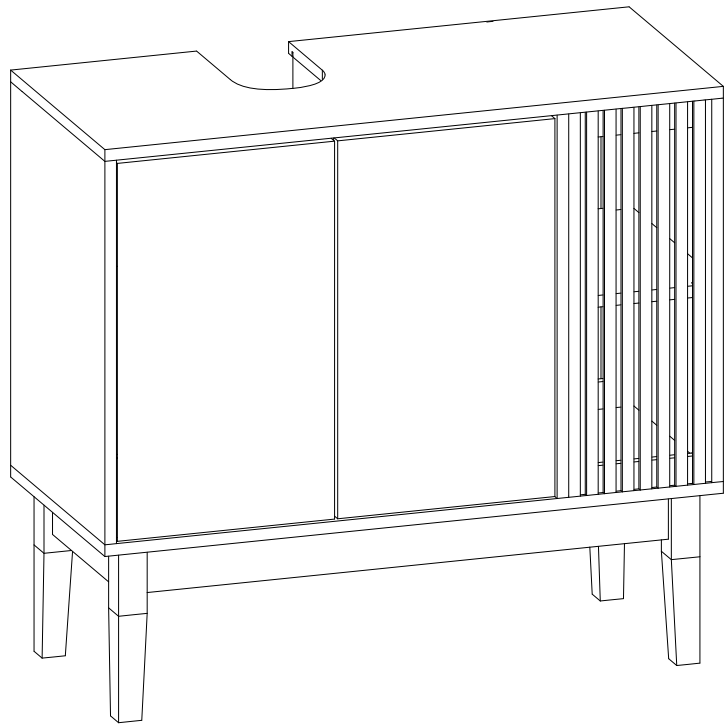
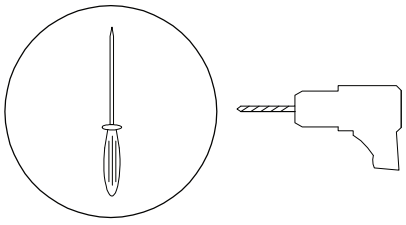

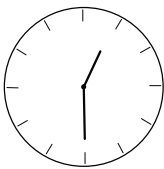
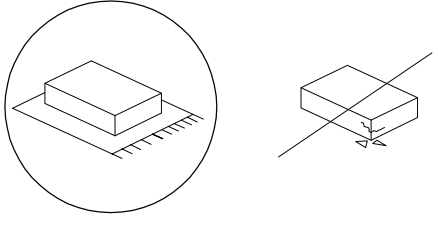

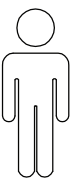
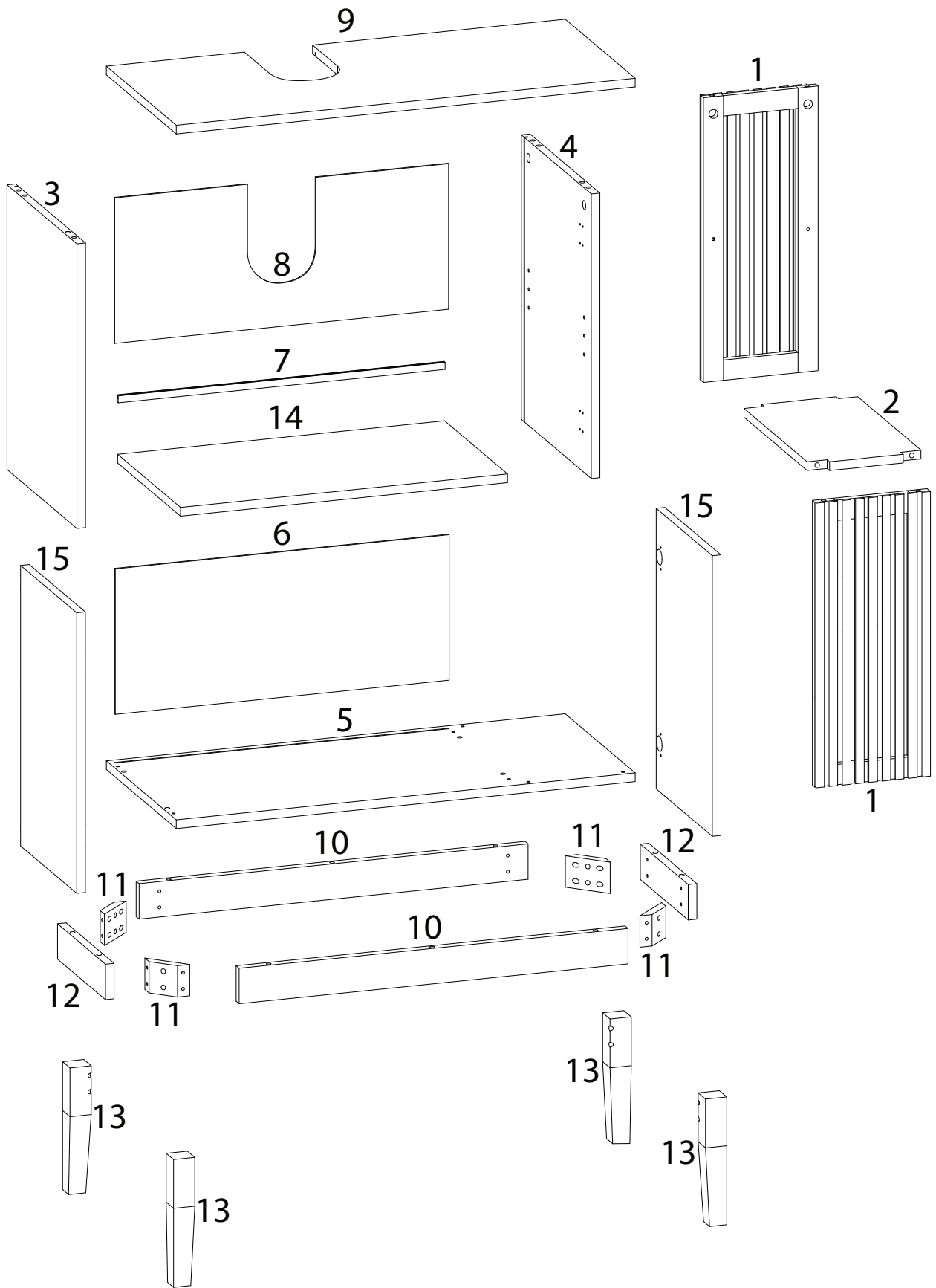


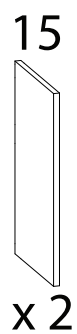
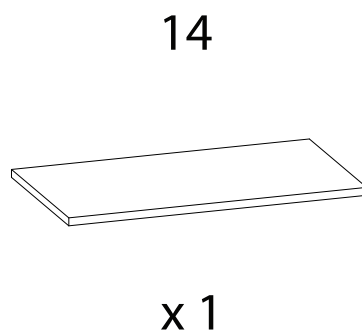
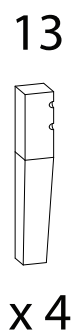
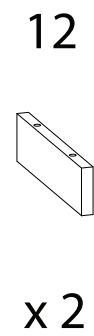
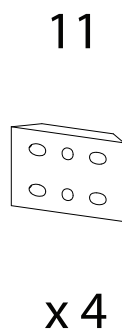
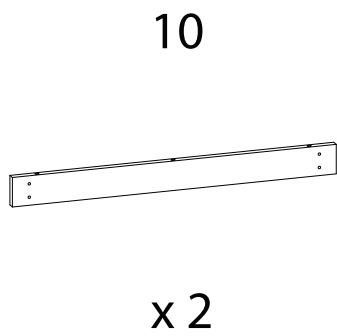
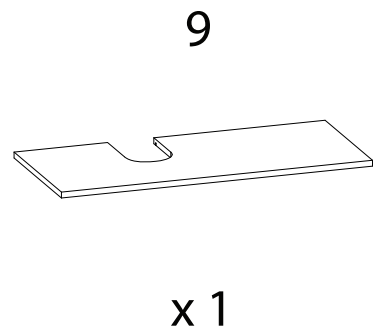
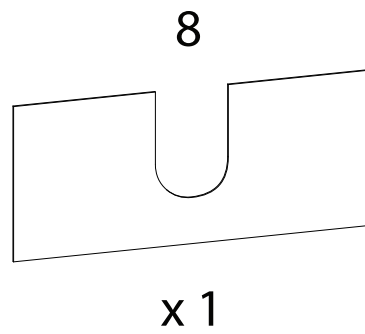
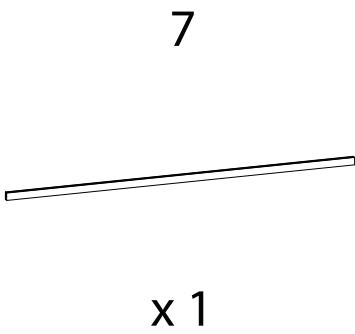
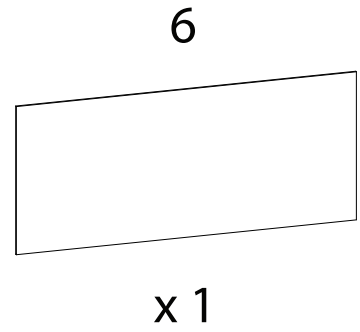
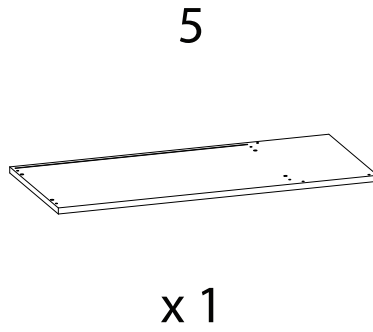
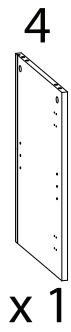
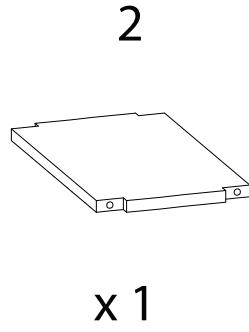
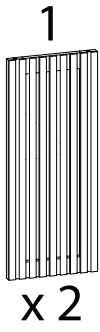
NUBES



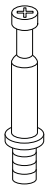


		
		45'
		
		2





A



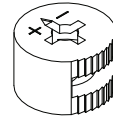
x 12

B



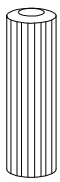
x 4

C



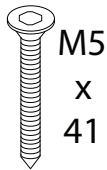
x 12

D



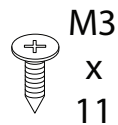
x 8

E



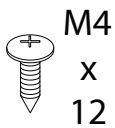
x 8

F



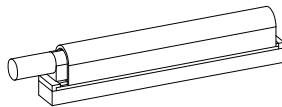
x 4

G



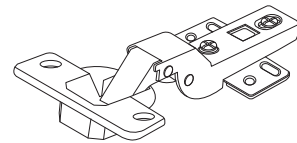
x 24

H



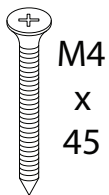
x 2

I



x 4

J



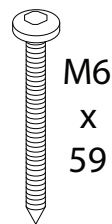
x 10

K



x 16

L



x 8

M



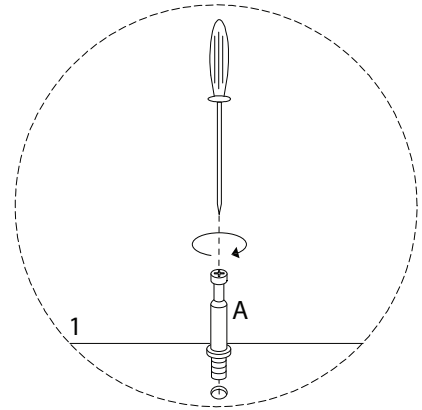
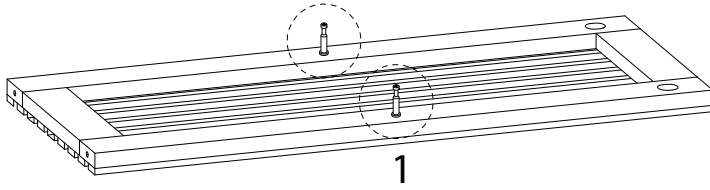
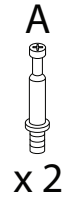
x 1

N

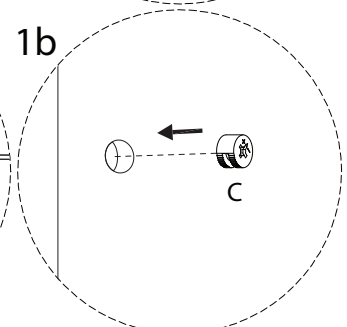
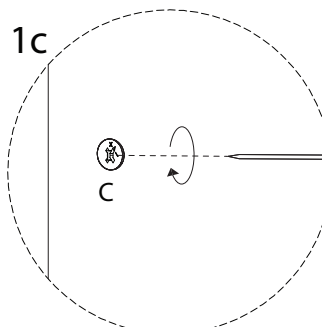
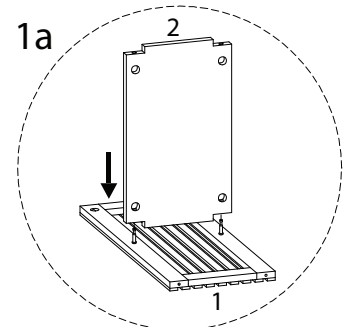
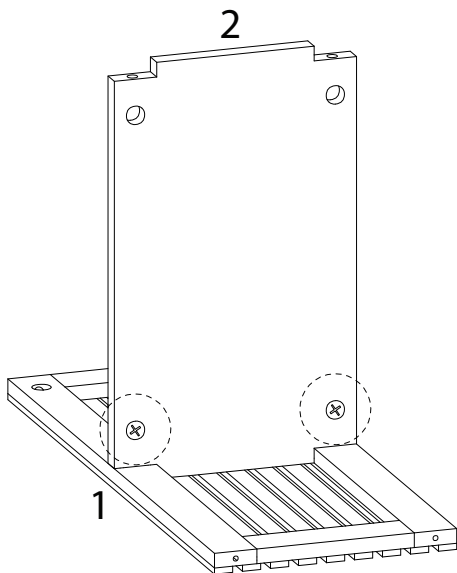
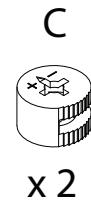
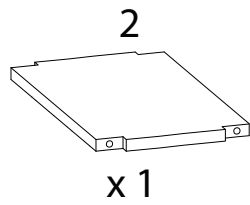


x 4

1 x 2



2

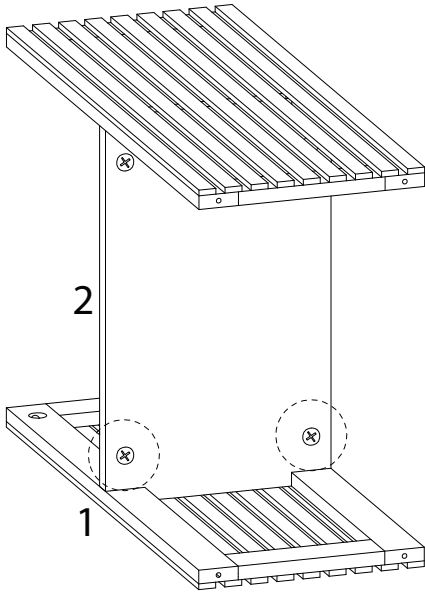


3

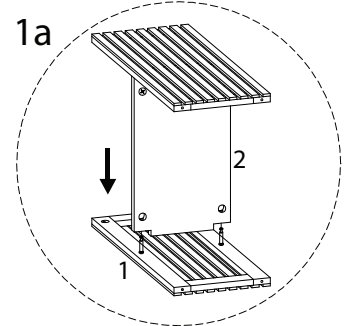
C



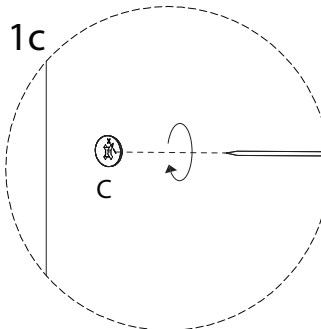
x 2



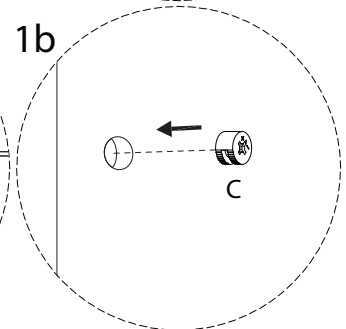
1a



1c



1b



4

3

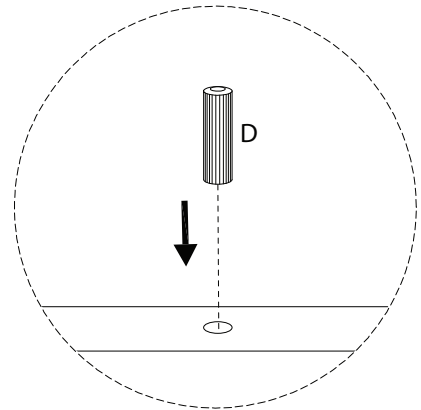
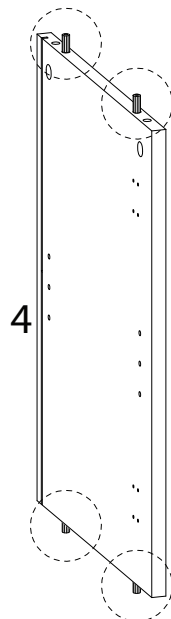
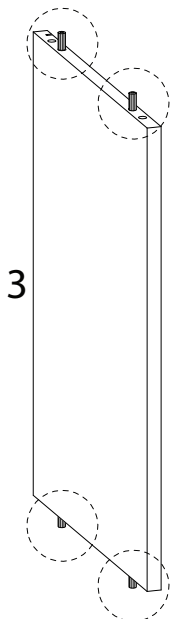
x 1

4

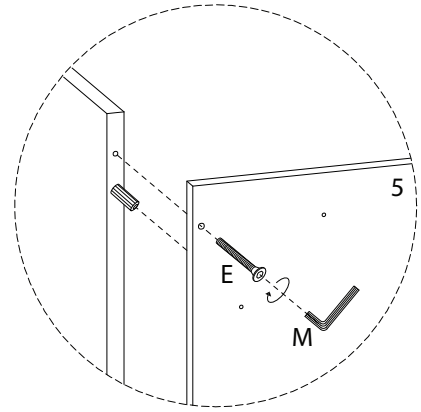
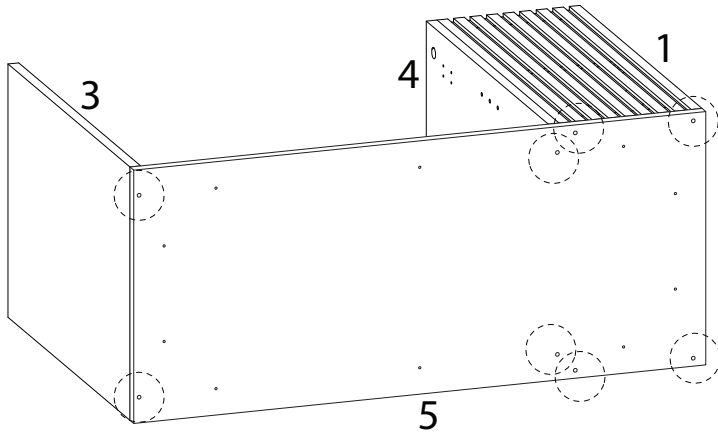
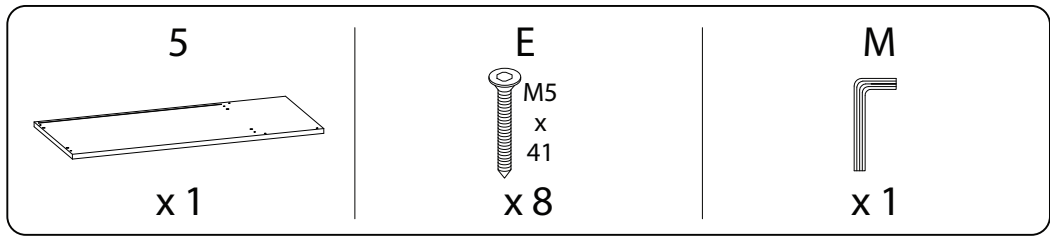
x 1

D

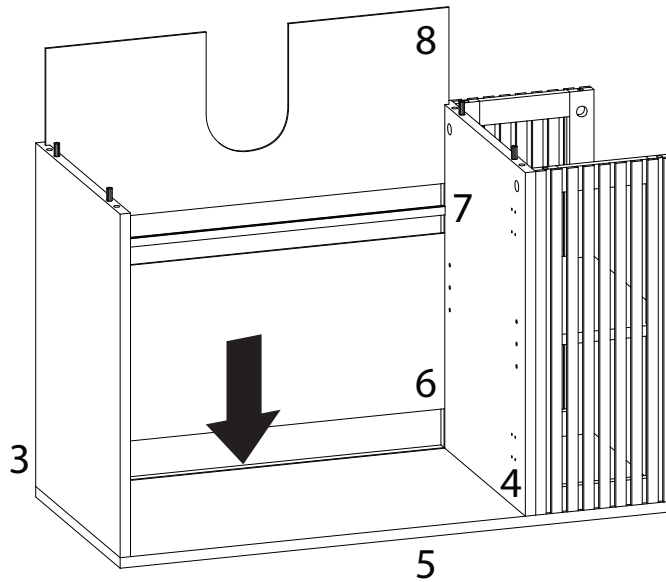
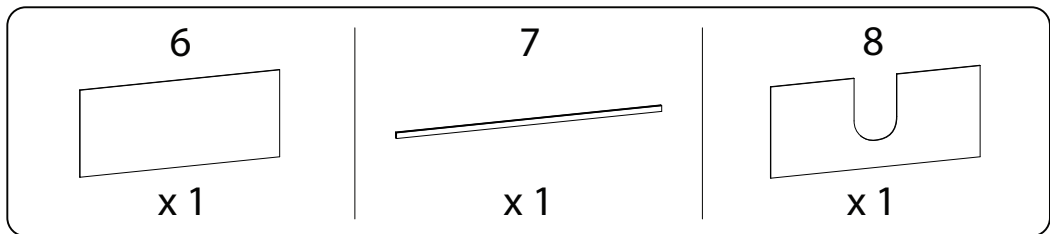
x 8



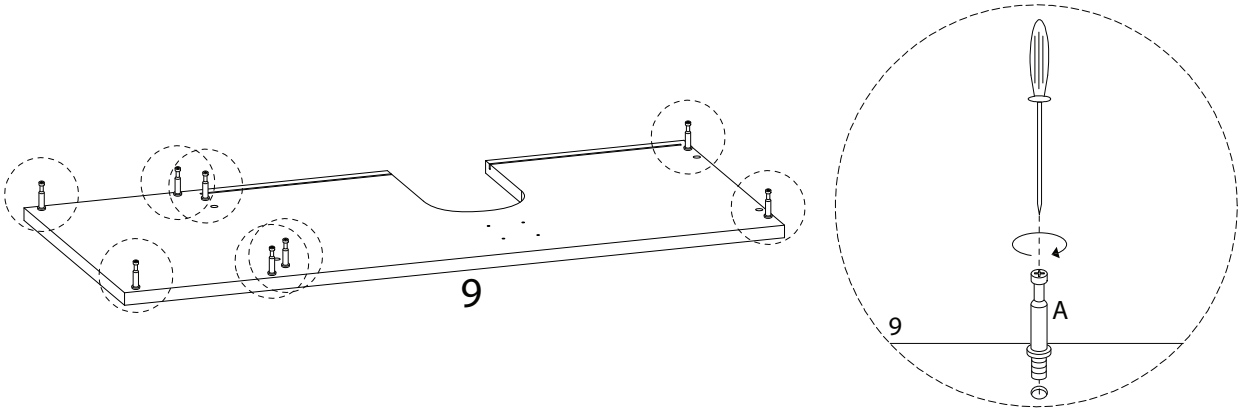
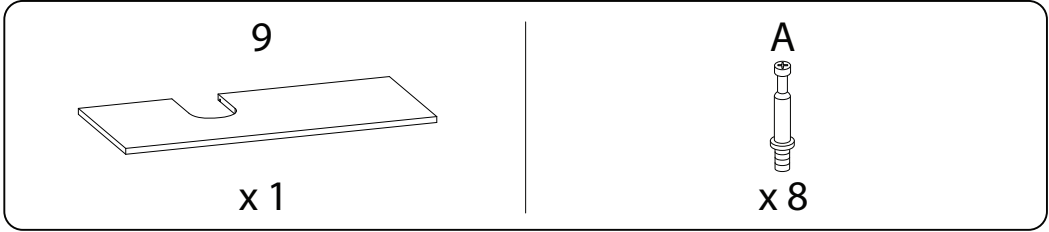
5



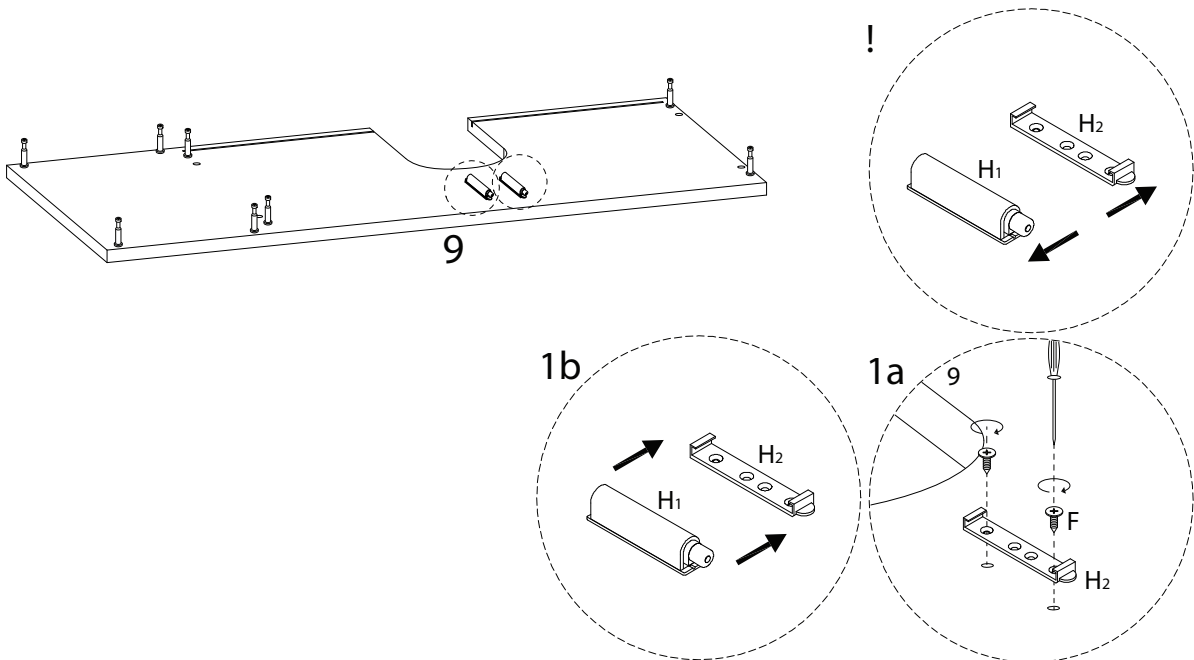
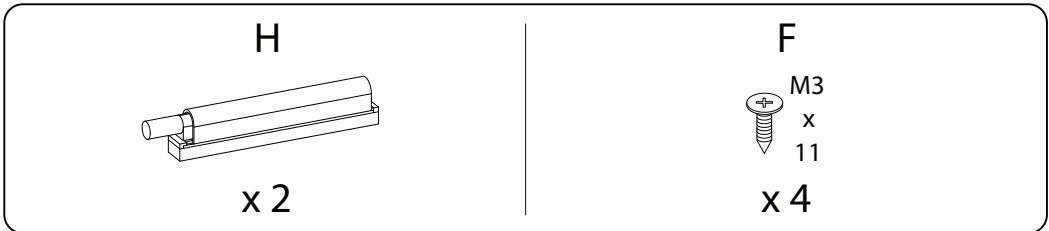
6



7



8

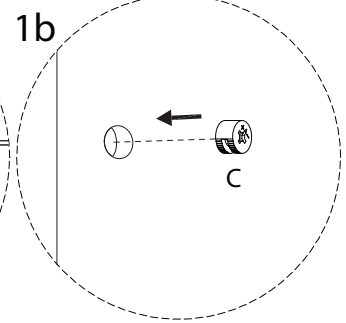
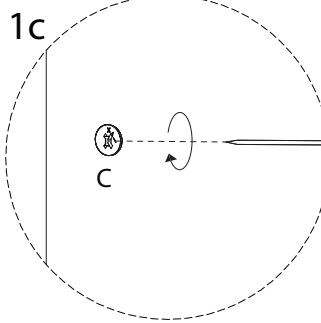
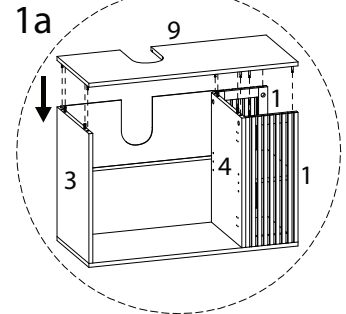
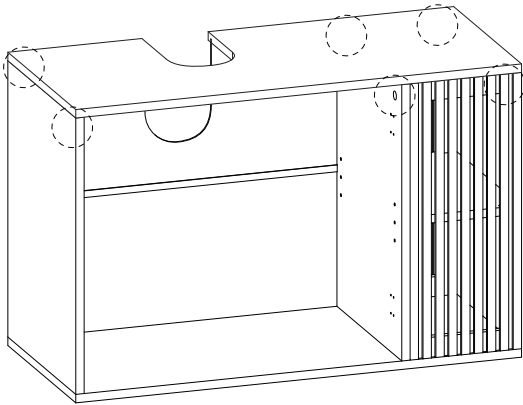


9

C



x 6



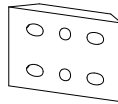
10

10



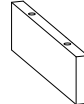
x 2

11



x 4

12

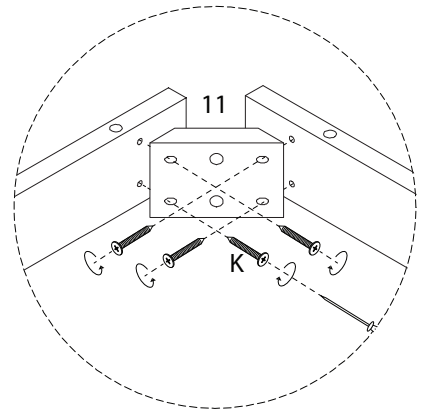
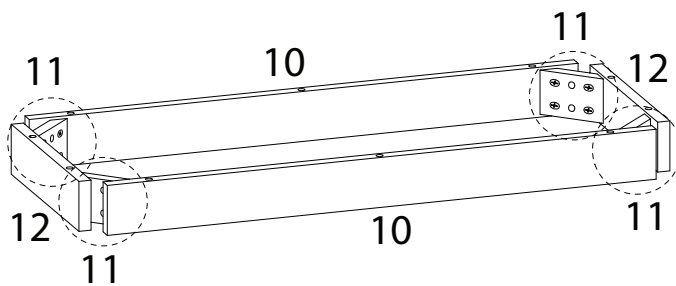


x 2

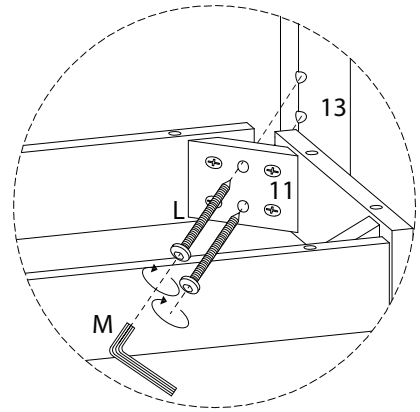
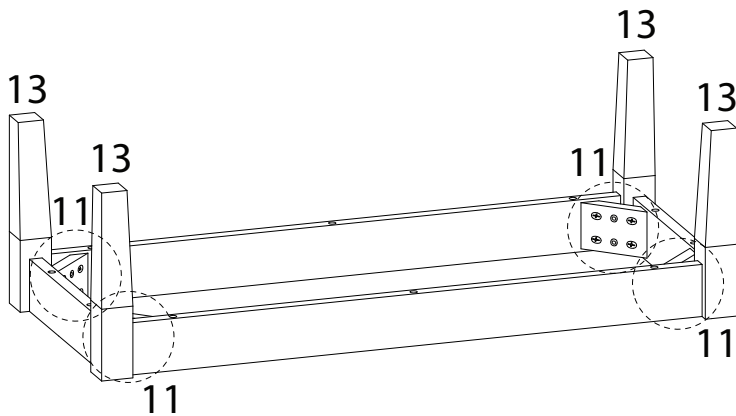
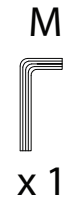
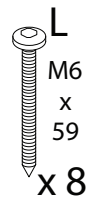
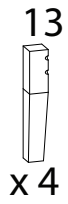
K



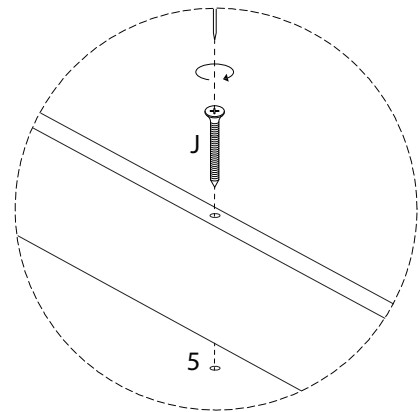
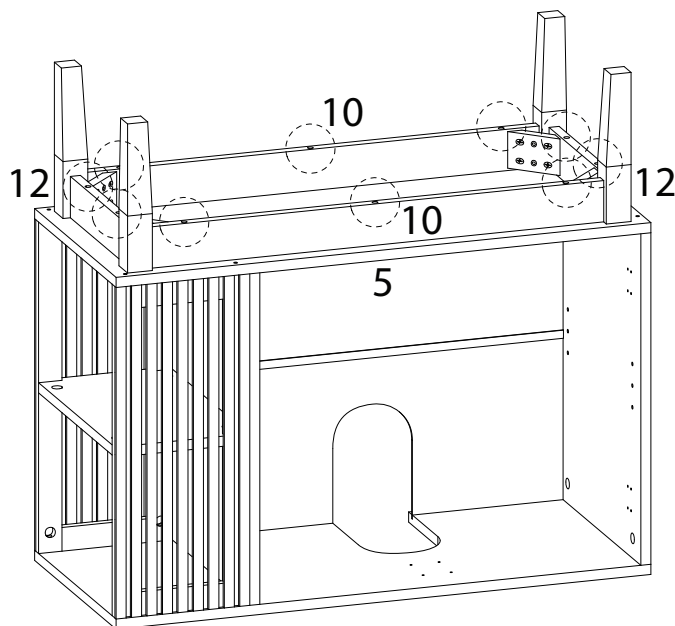
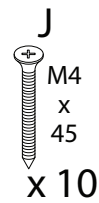
x 16



11

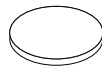


12

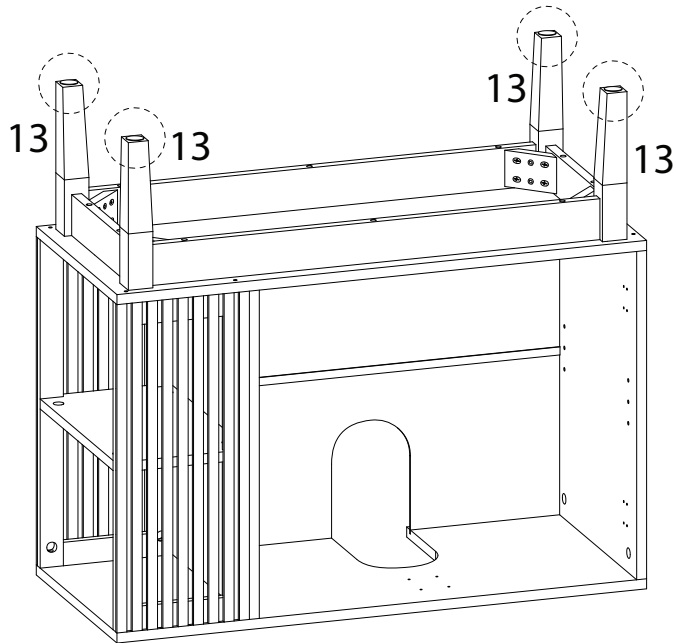


13

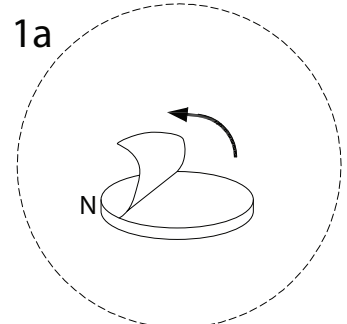
N



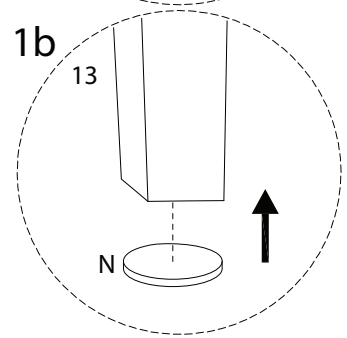
x 4



1a



1b

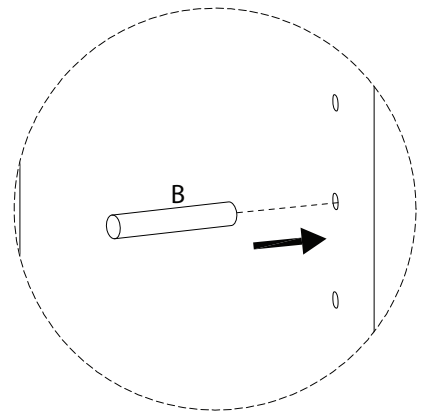
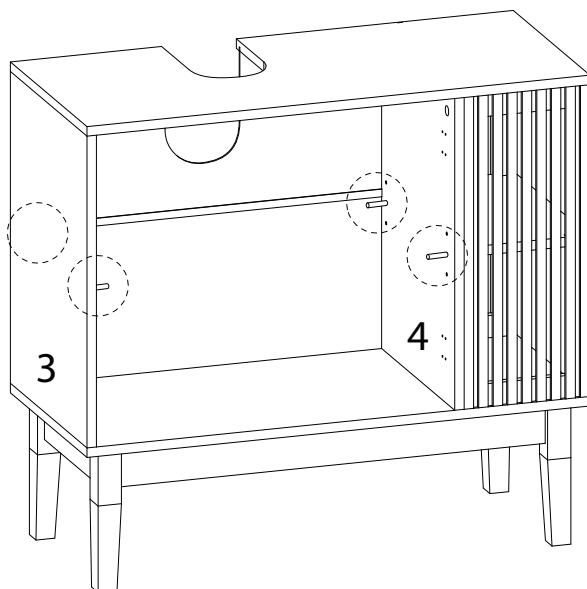


14

B

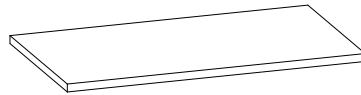


x 4

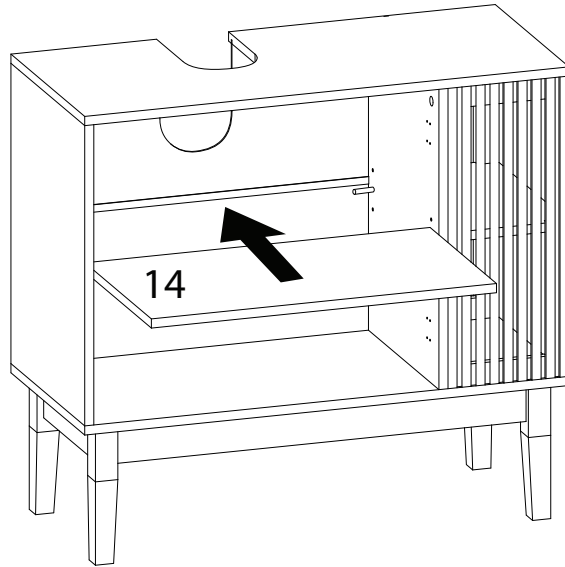


15

14



x 1



16 x 2

15



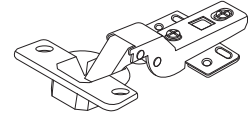
x 1

G

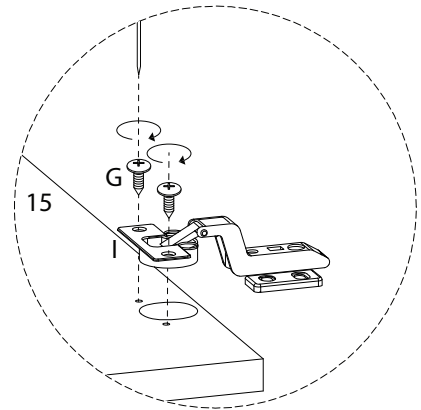
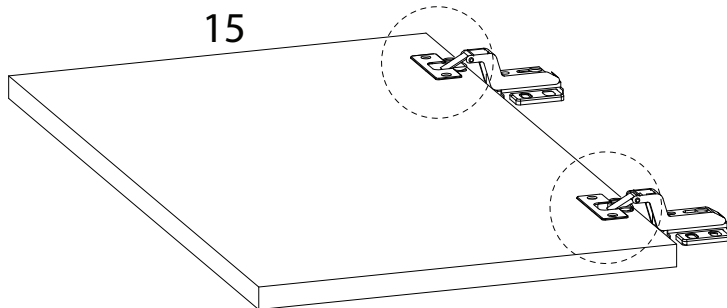


x 4

I



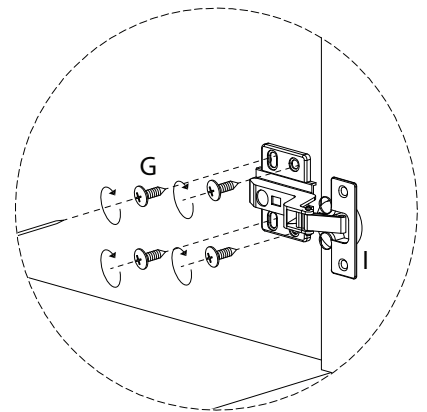
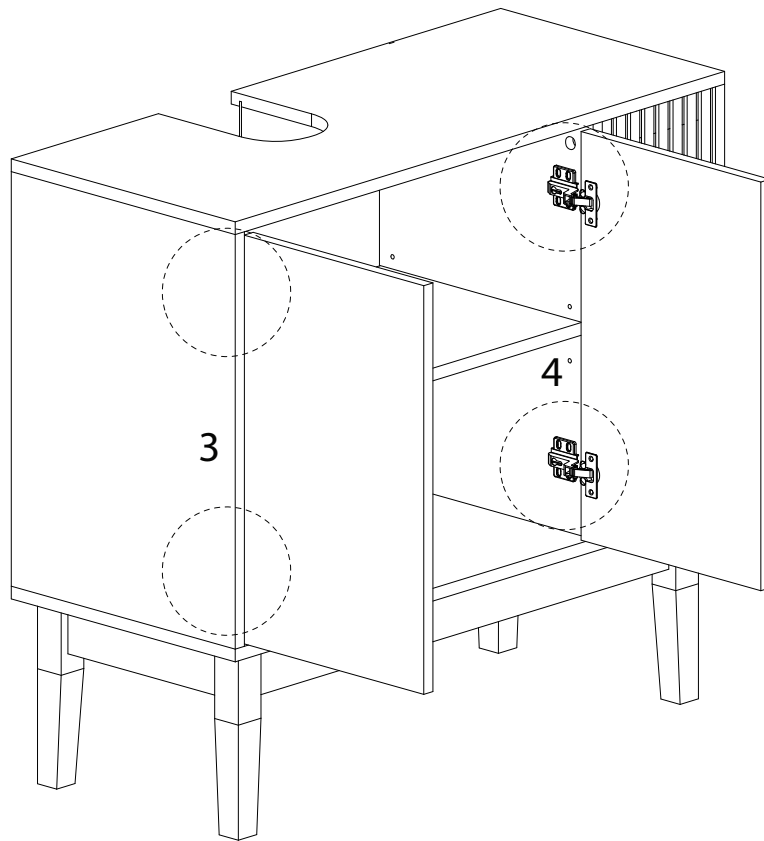
x 2



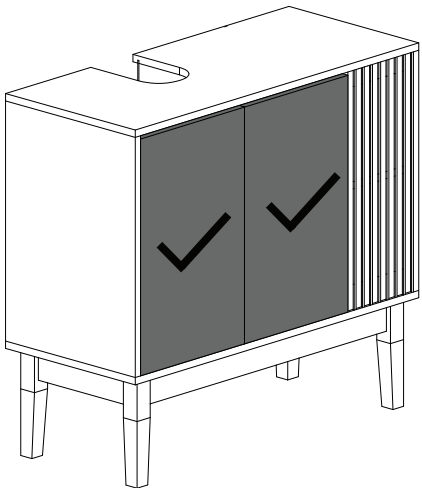
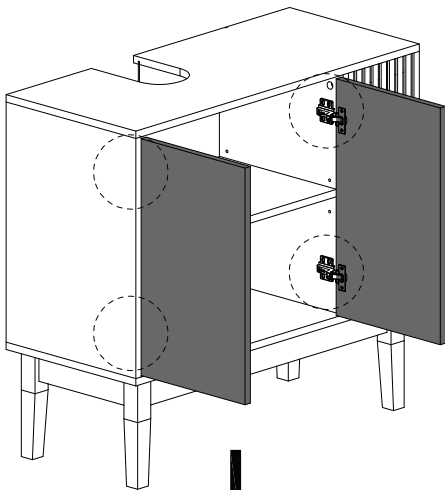
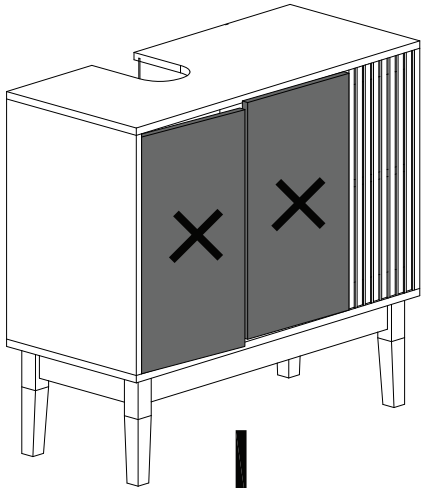
17

G

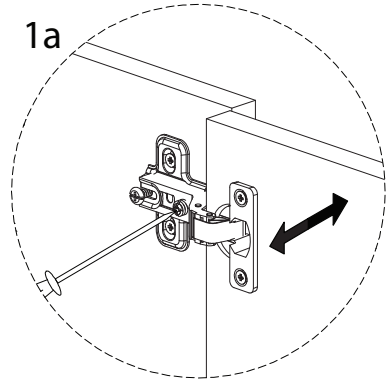
M4
x
12
x 16



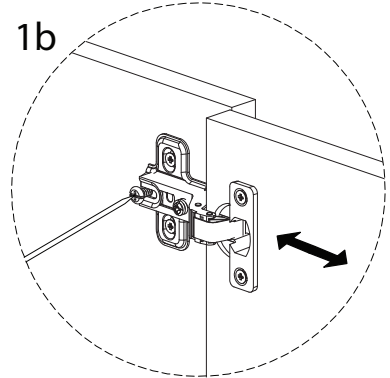
!



1a



1b



1c

