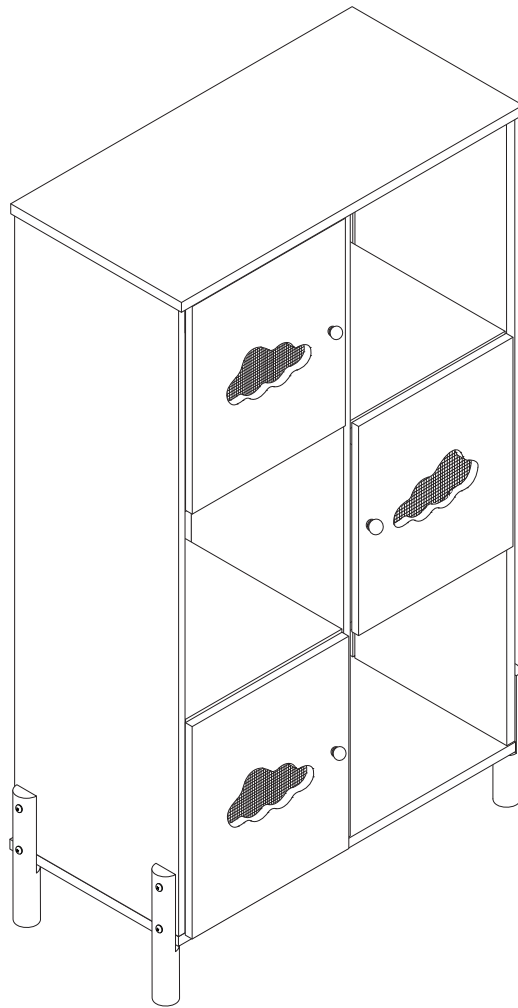
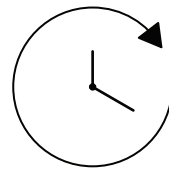
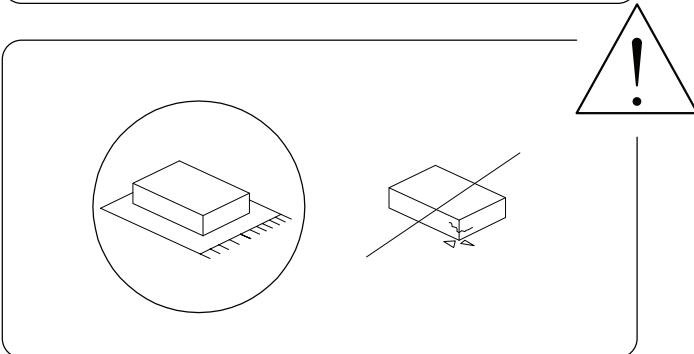
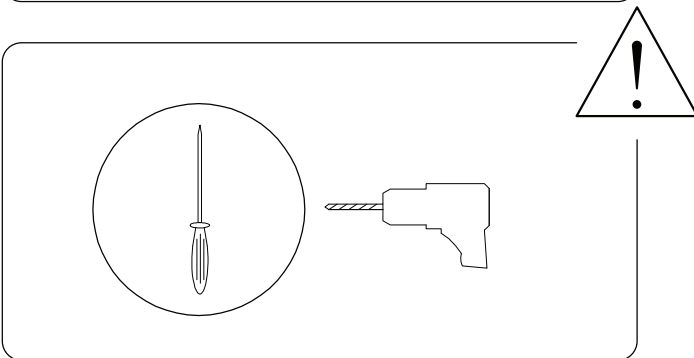
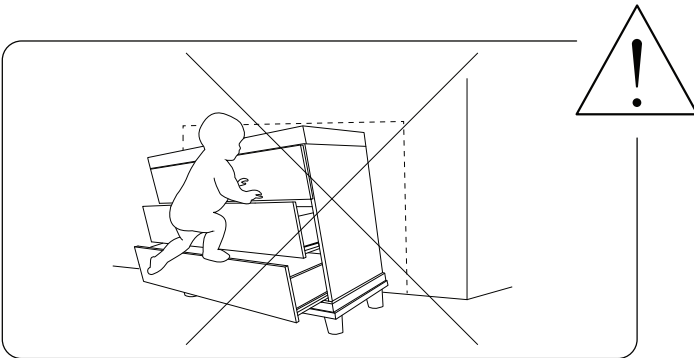
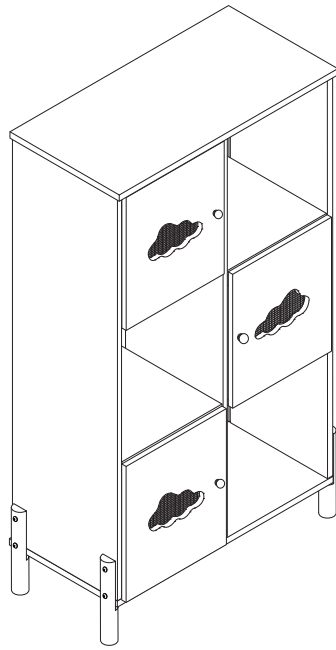
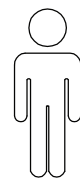


# CLOUDY

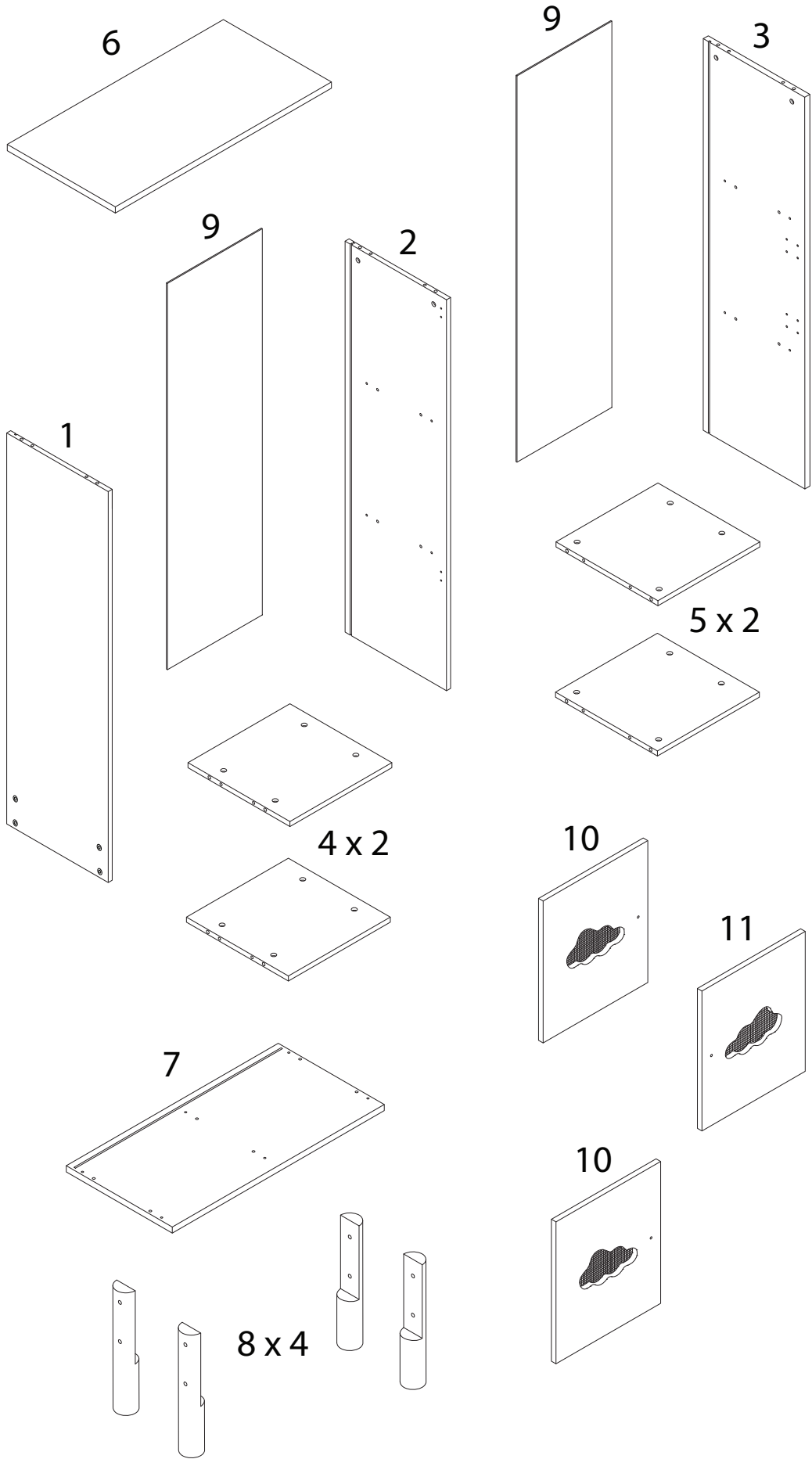




30'



1



1



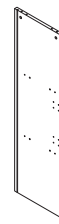
x 1

2



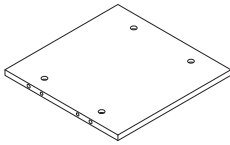
x 1

3



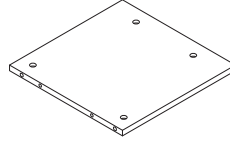
x 1

4



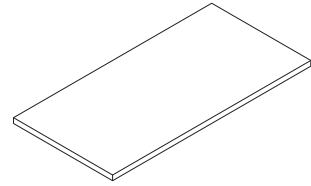
x 2

5



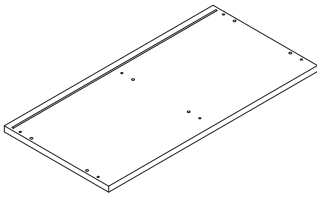
x 2

6



x 1

7



x 1

8



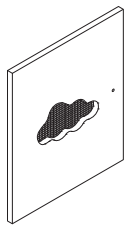
x 4

9



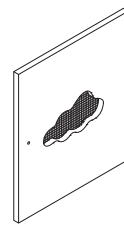
x 2

10



x 2

11



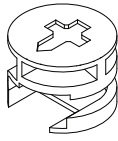
x 1

A



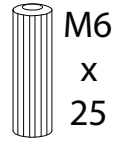
x 22

B



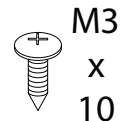
x 22

C



x 28

D



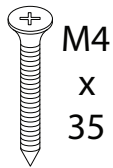
x 6

E



x 36

F



x 6

G



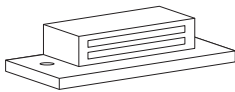
x 8

H



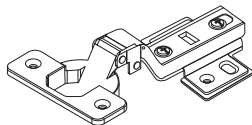
x 3

I



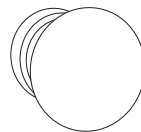
x 3

J



x 6

K



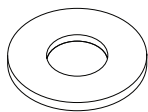
x 3

L



x 1

M



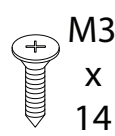
x 2

N



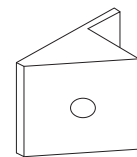
x 1

O



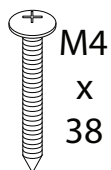
x 12

P



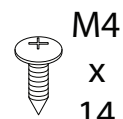
x 12

Q



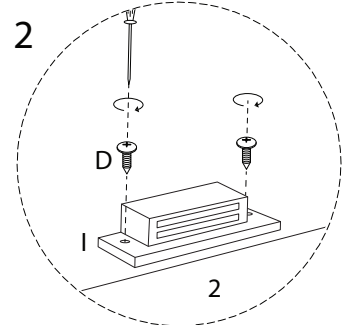
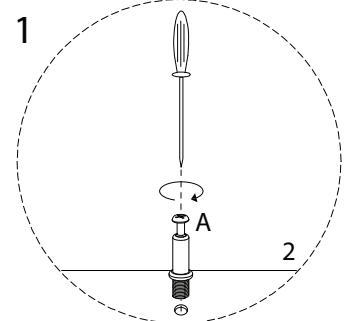
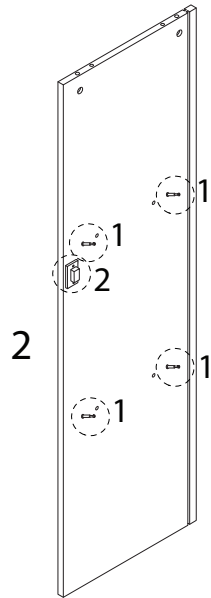
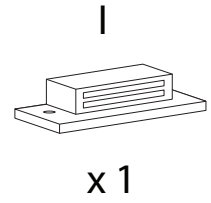
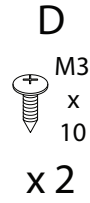
x 1

R

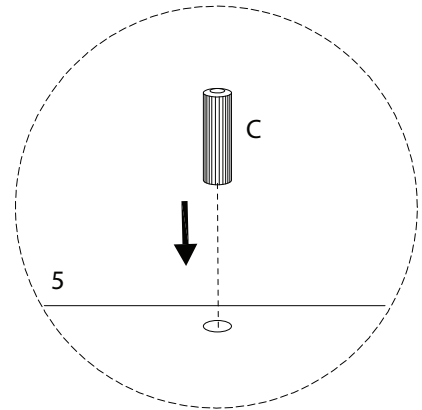
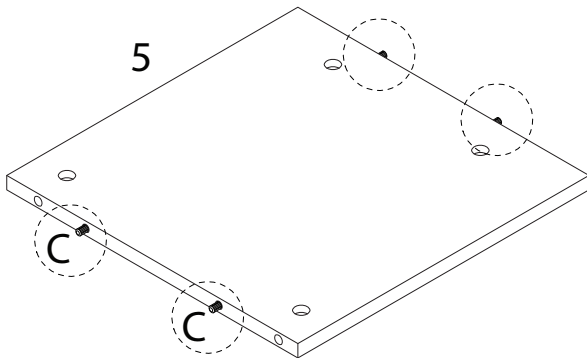
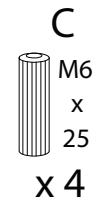
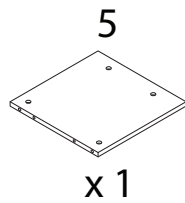


x 1

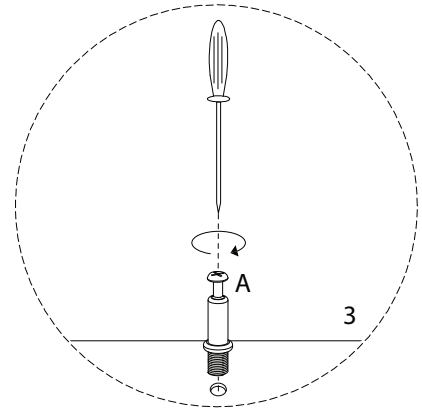
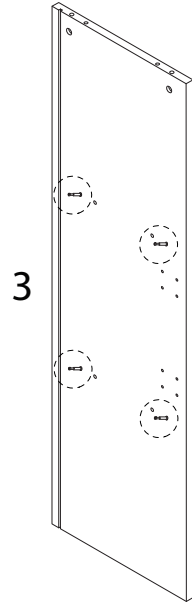
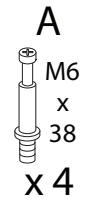
1



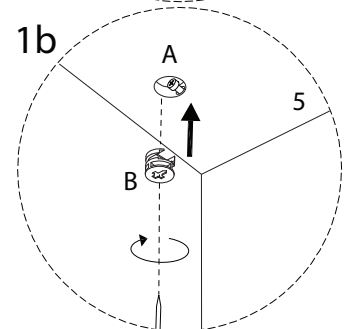
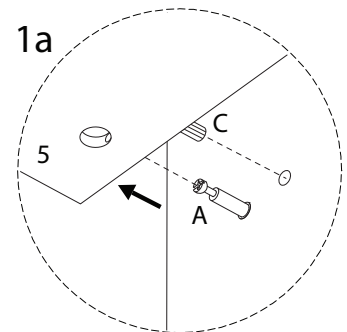
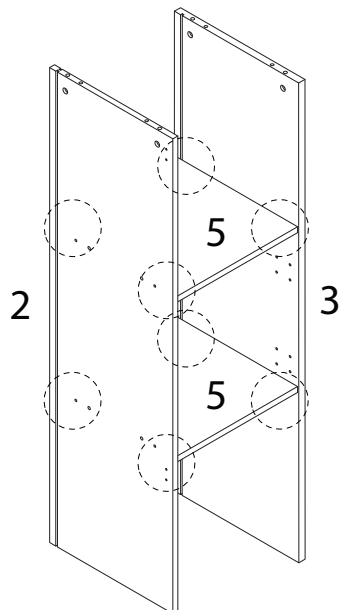
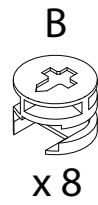
2 x 2



3



4

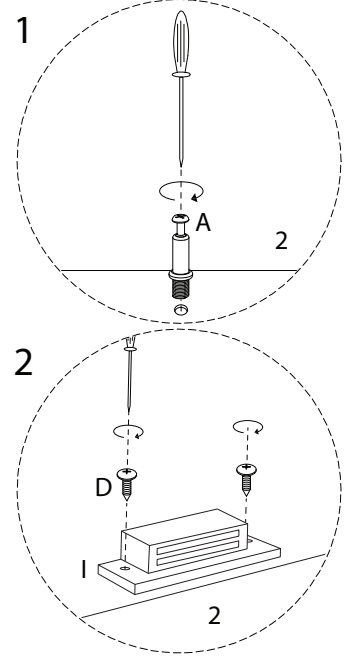
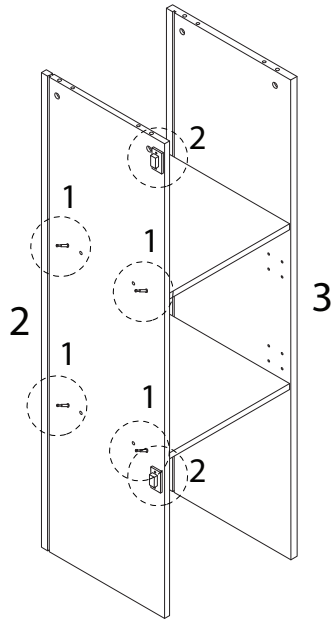


5

A  
M6  
x  
38  
x 4

D  
M3  
x  
10  
x 4

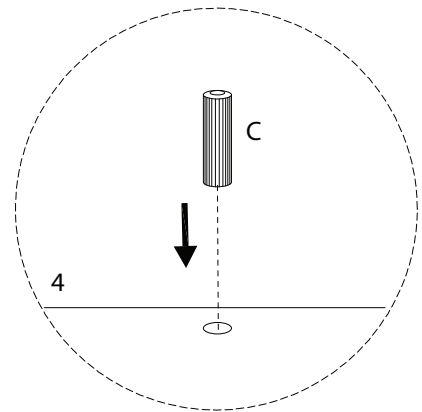
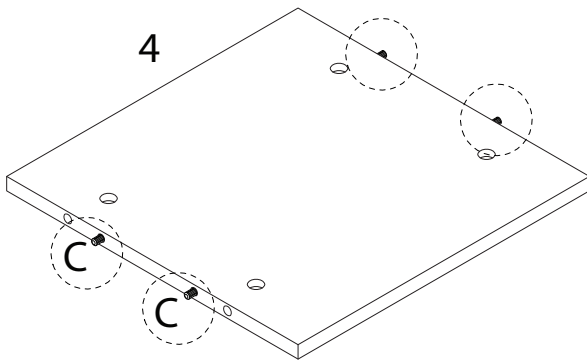
I  
x 2



6 x 2

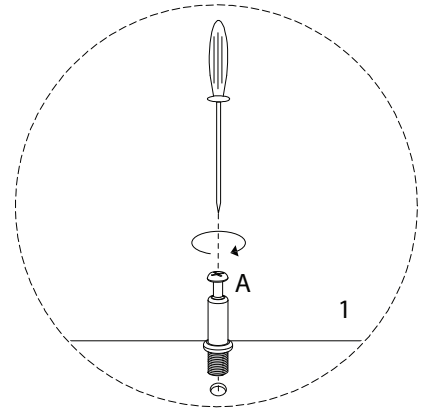
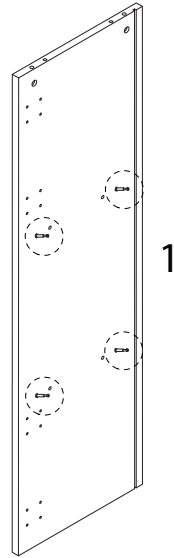
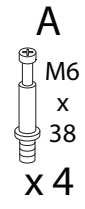
4  
x 1

C  
M6  
x  
25  
x 4

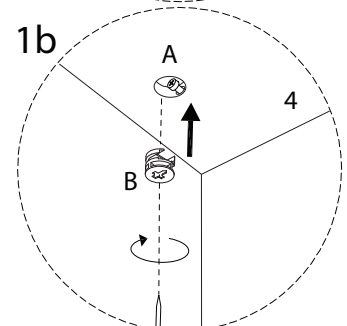
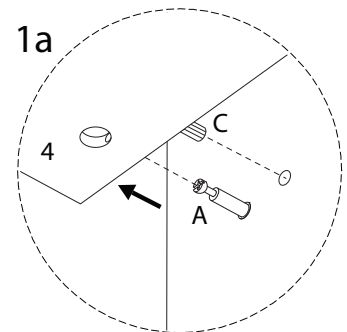
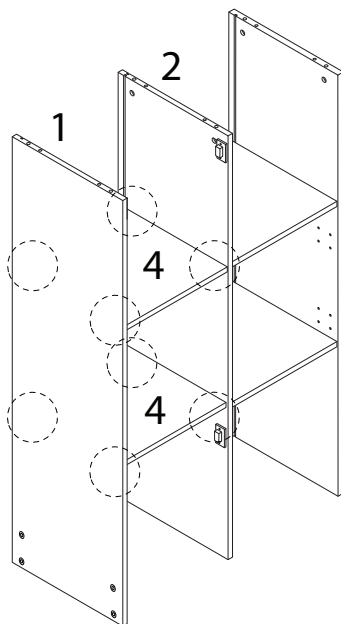
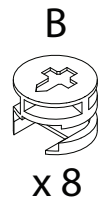




7

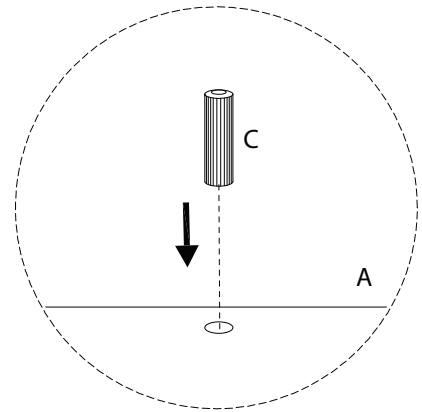
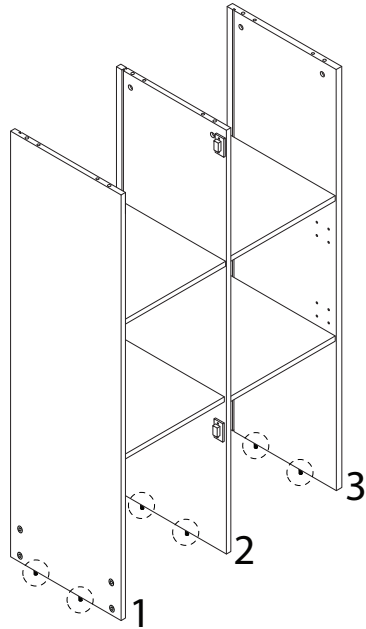


8



9

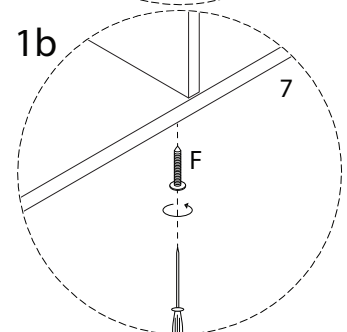
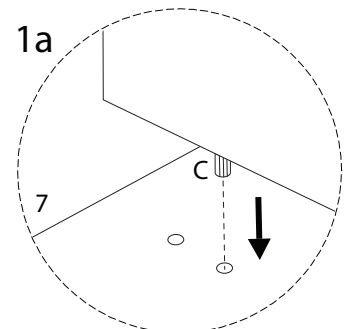
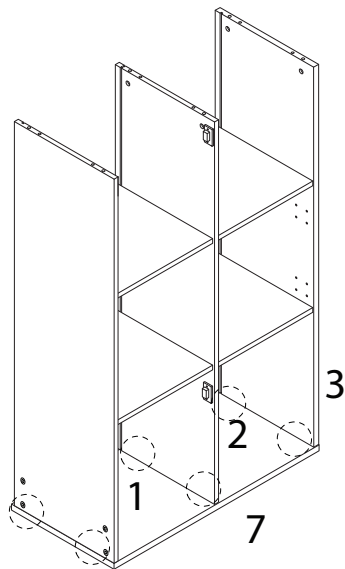
C  
M6  
x  
25  
x 6



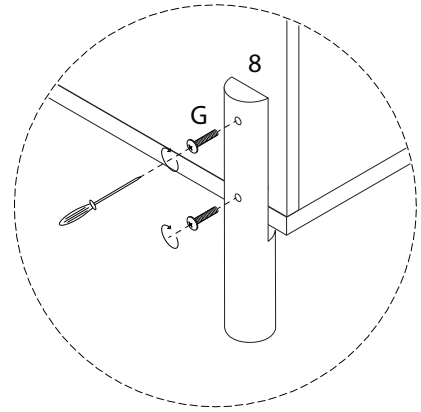
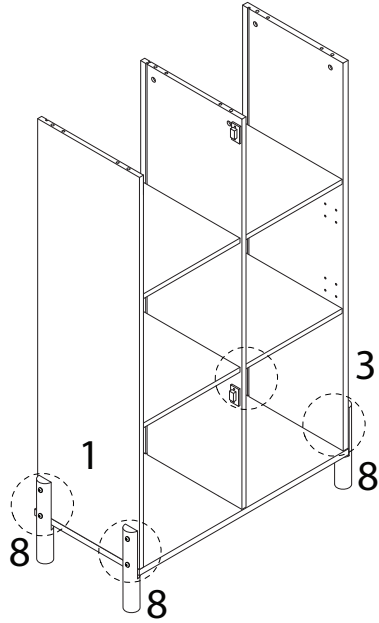
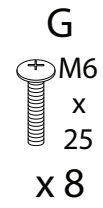
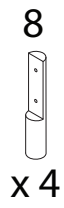
10

7  
x 1

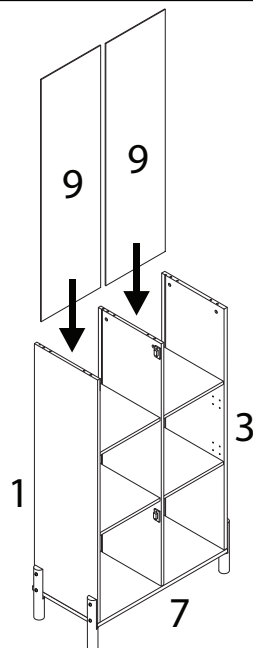
F  
M4  
x  
35  
x 6



11

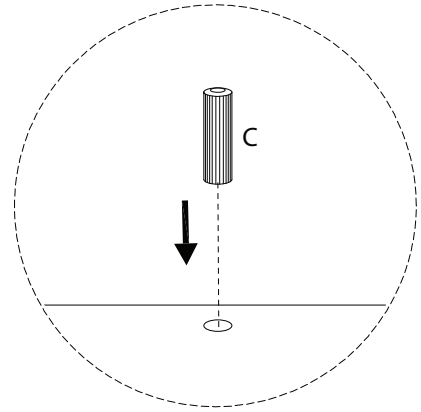
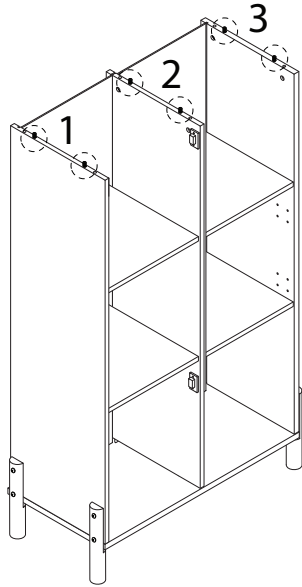


12

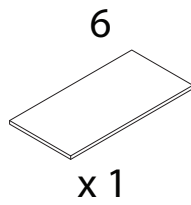


13

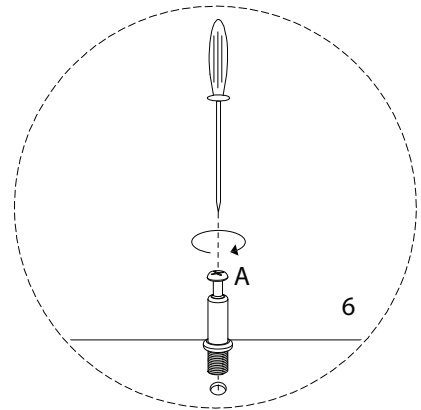
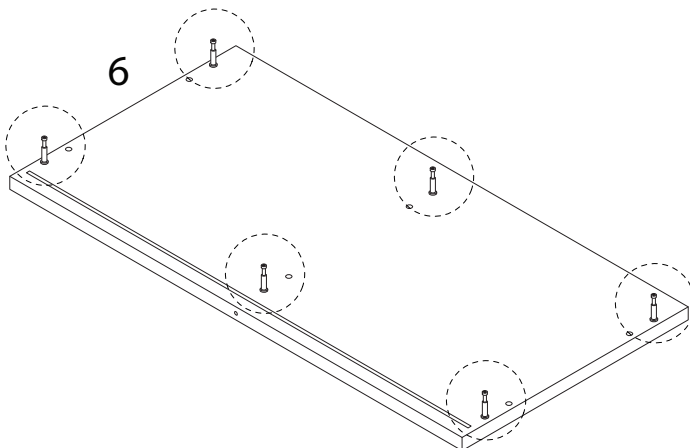
C  
M6  
x  
25  
x 6



14

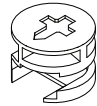


A  
M6  
x  
38  
x 6

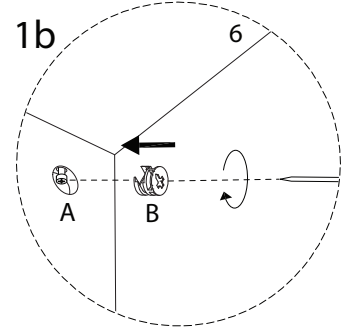
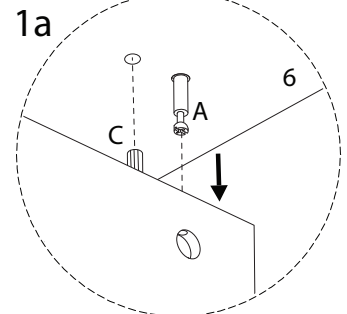
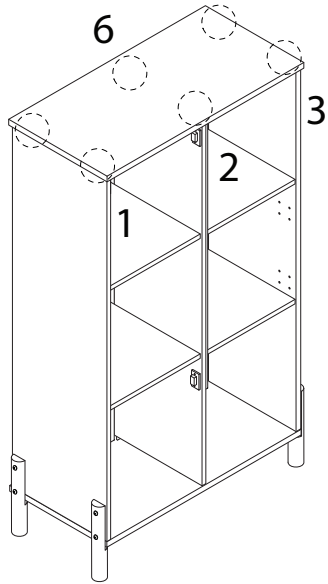


15

B



x 6



16

10



x 2

11



x 1

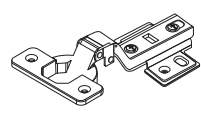
E



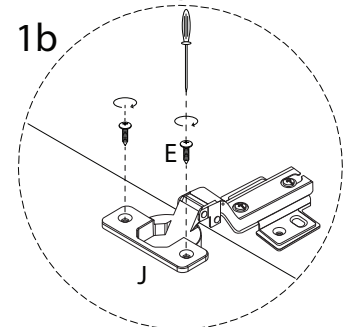
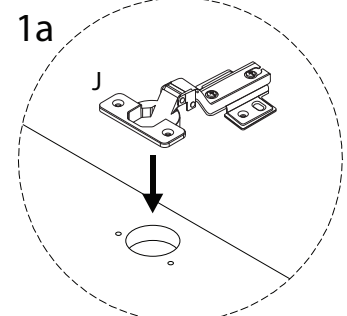
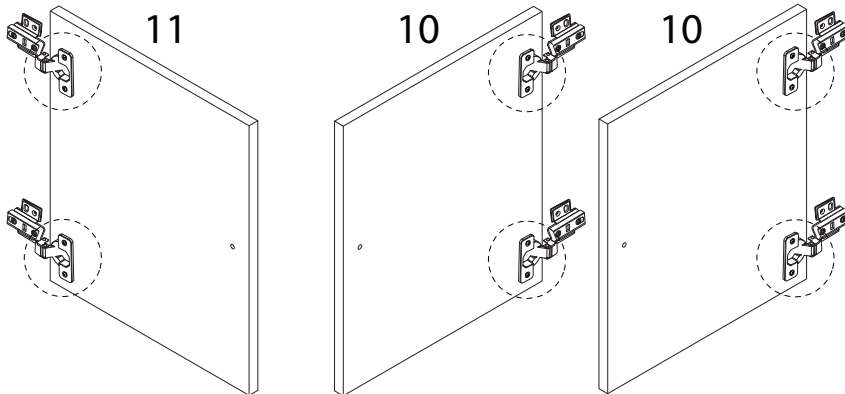
M4  
x  
12

x 12

J

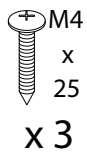


x 6

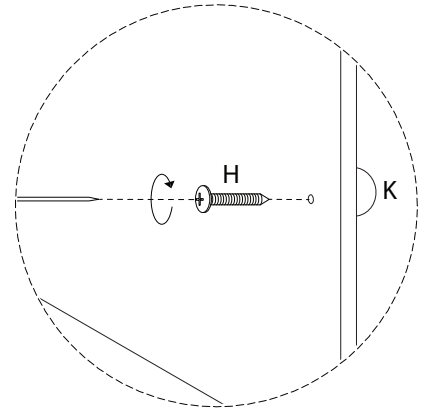
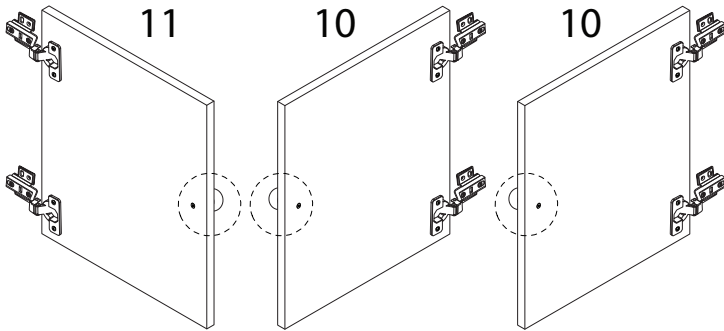


17

H

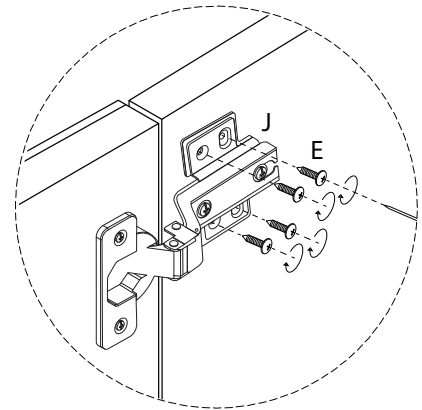
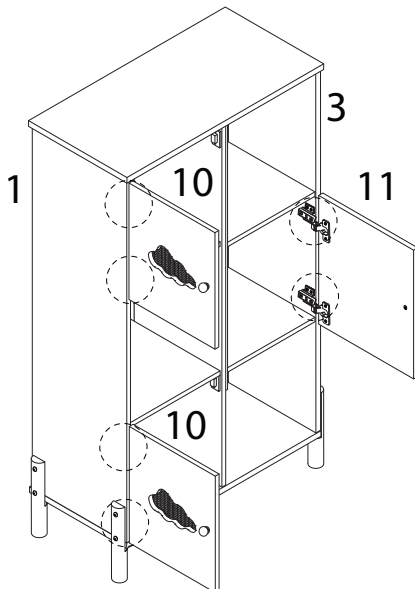
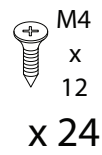


K



18

E



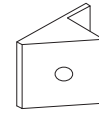
19

O

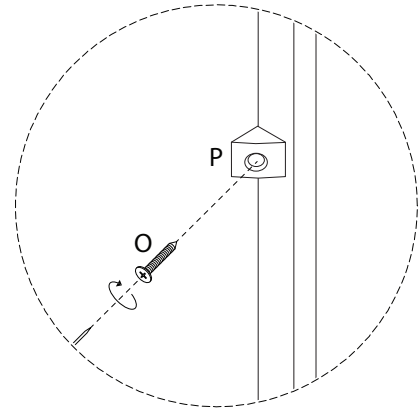
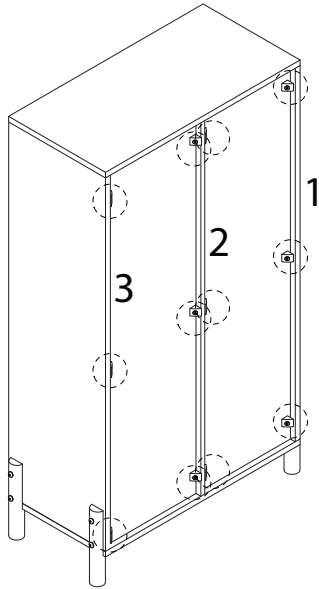


x 12

P



x 12



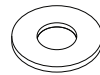
20

L



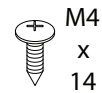
x 1

M

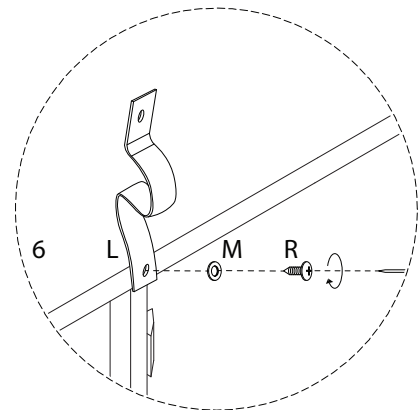
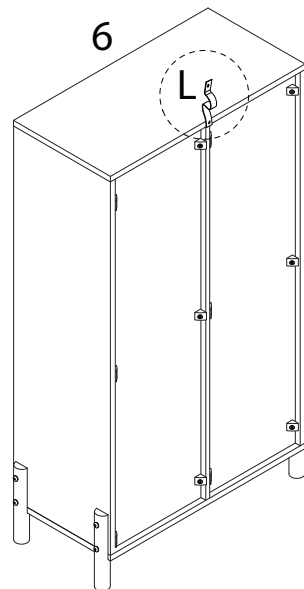


x 1

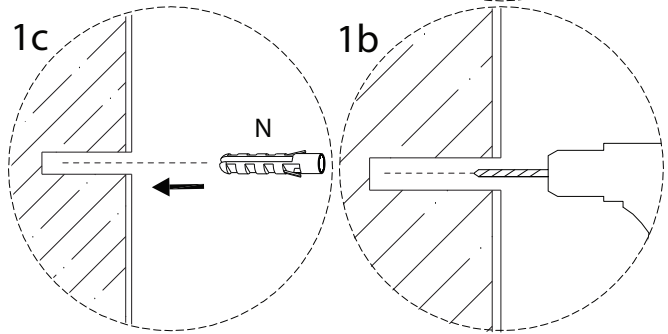
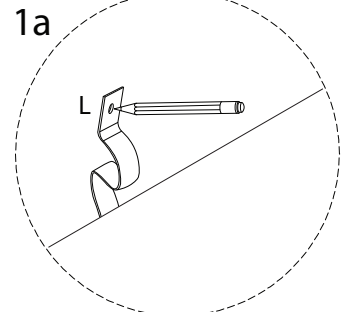
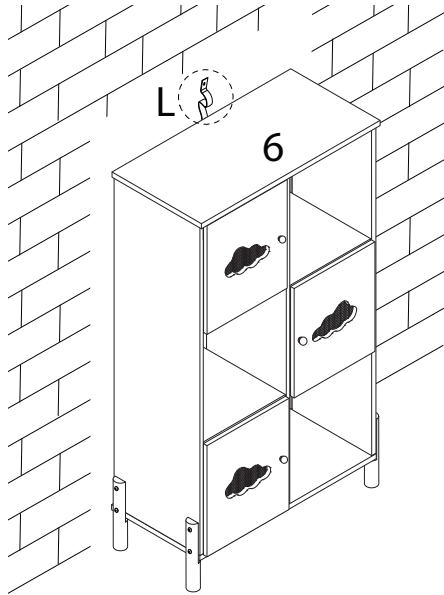
R



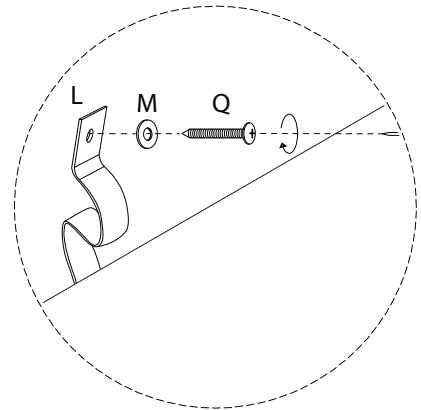
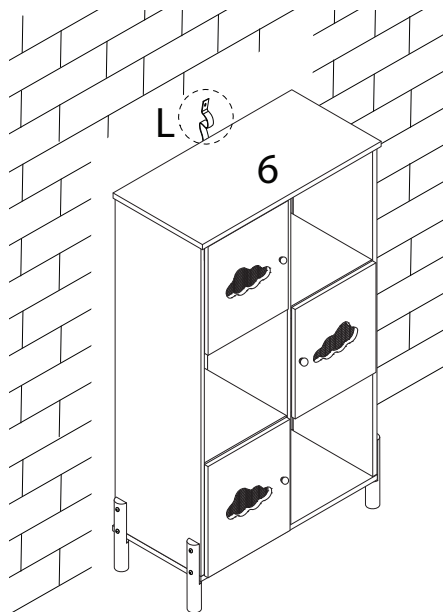
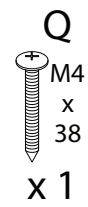
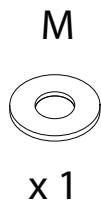
x 1



21



22





23

