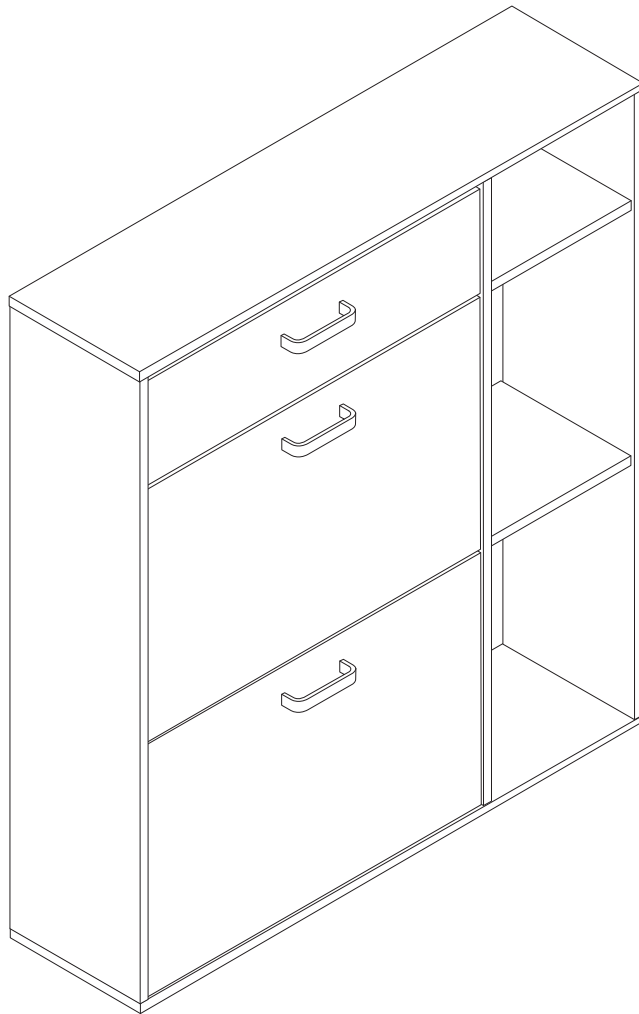


# MACKAY



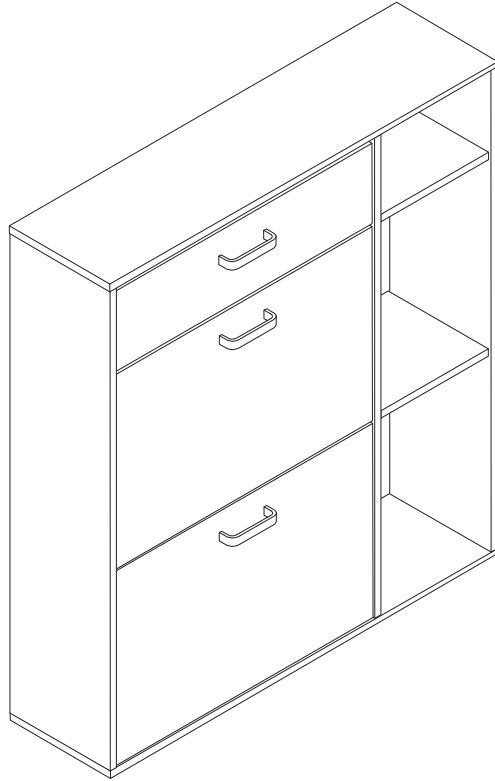
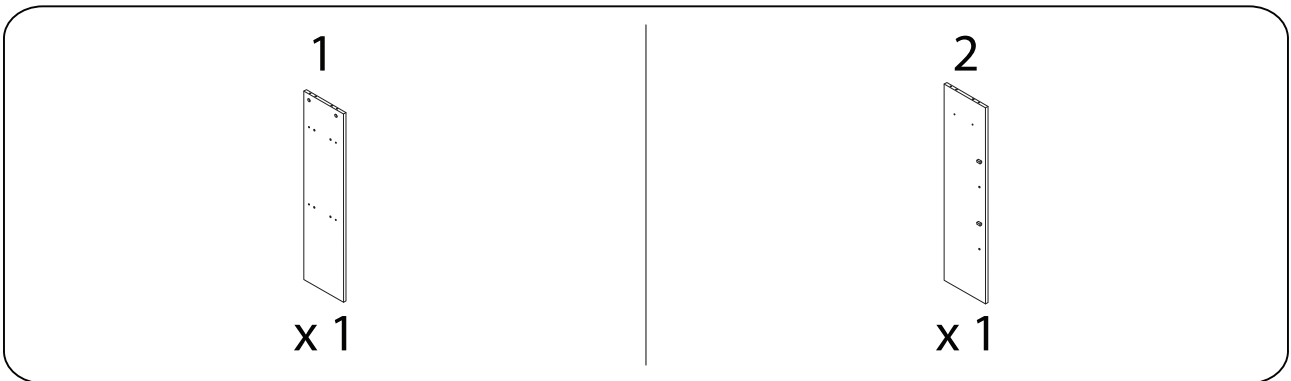
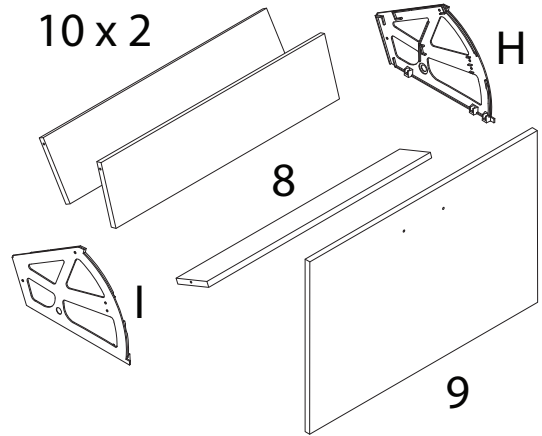
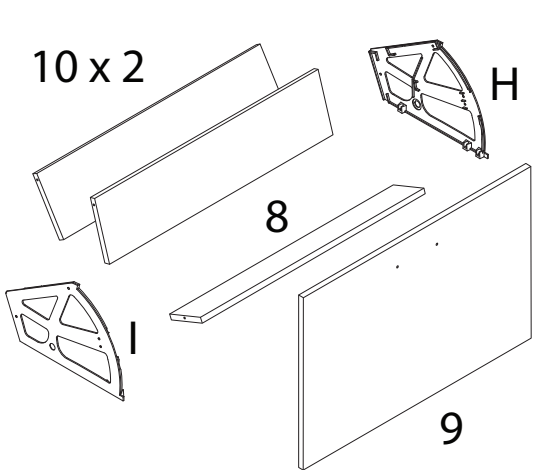
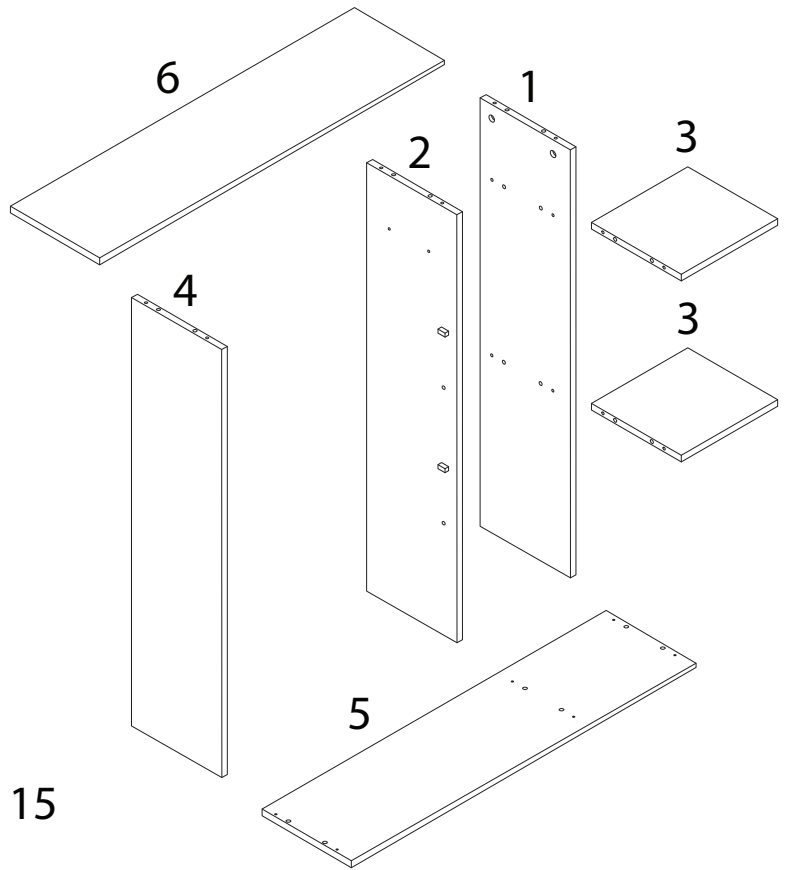
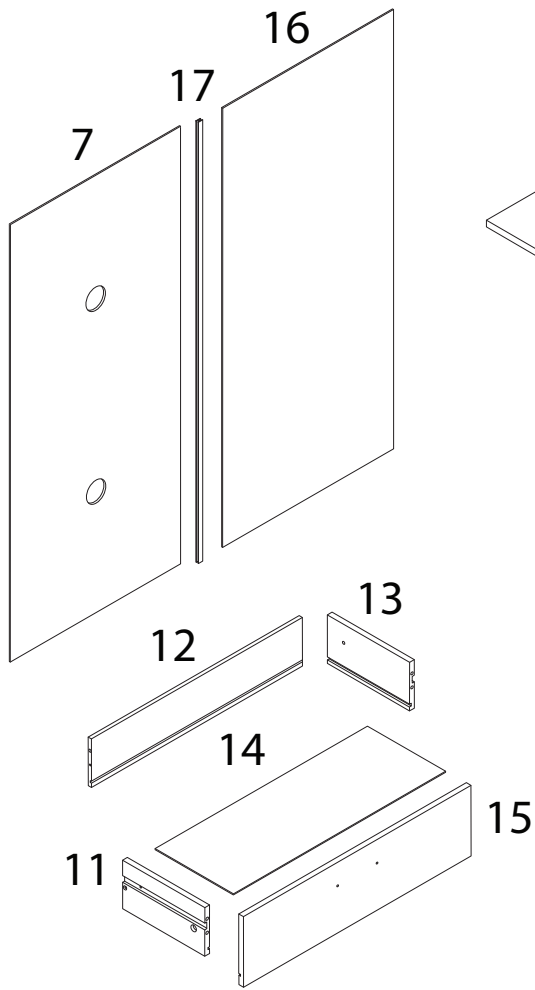
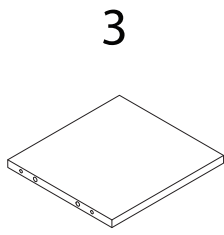


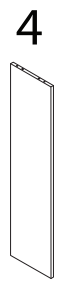
Diagram illustrating assembly steps and safety warnings:

- Step 1:** A circular inset shows a screwdriver and a pencil. A power drill is shown to the right. A warning triangle with an exclamation mark is positioned above this step.
- Step 2:** A circular inset shows a rectangular block being placed on a textured surface. A second inset shows the block being secured with a screw. A warning triangle with an exclamation mark is positioned above this step.
- Time:** A clock icon with a circular arrow indicates a duration of 60'.
- Personnel:** An icon of a person is shown above the number 2, indicating that two people are required for this step.

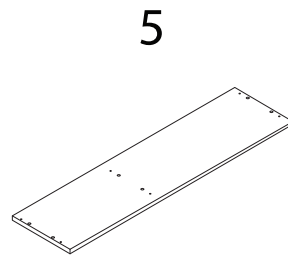




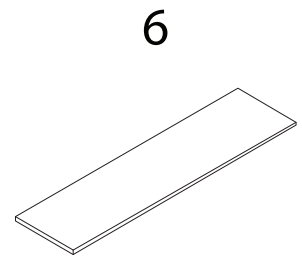
x 2



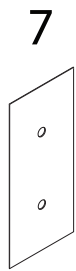
x 1



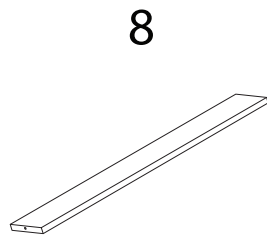
x 1



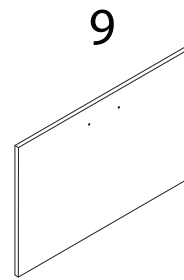
x 1



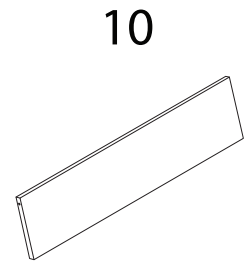
x 1



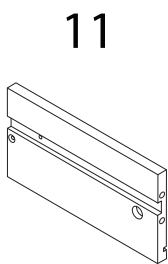
x 2



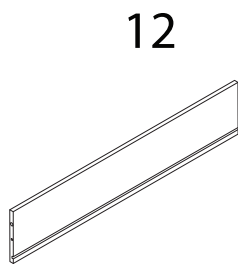
x 2



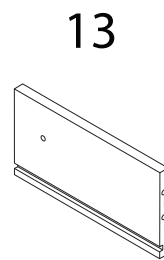
x 4



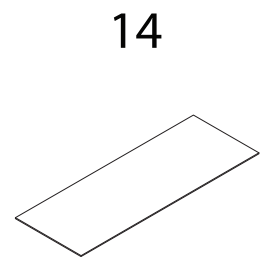
x 1



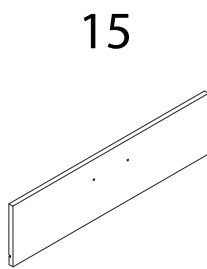
x 1



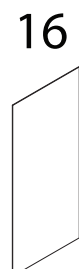
x 1



x 1



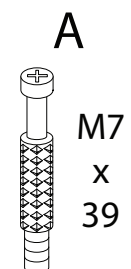
x 1



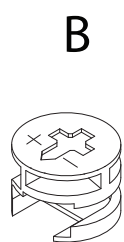
x 1



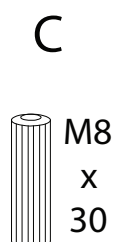
x 1



x 14



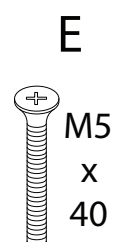
x 14



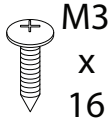
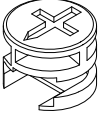
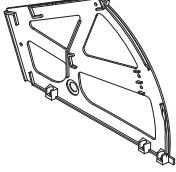
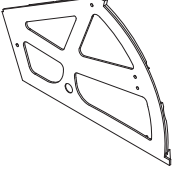

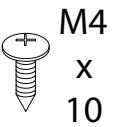
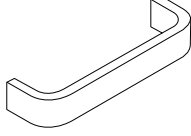
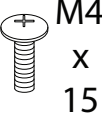
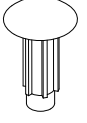

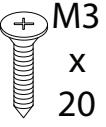
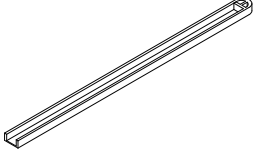
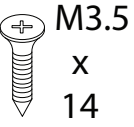
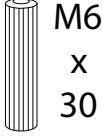

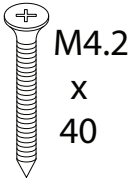
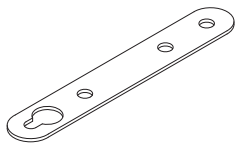
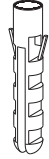
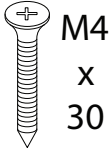
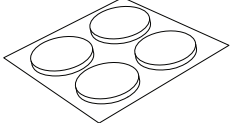
x 20



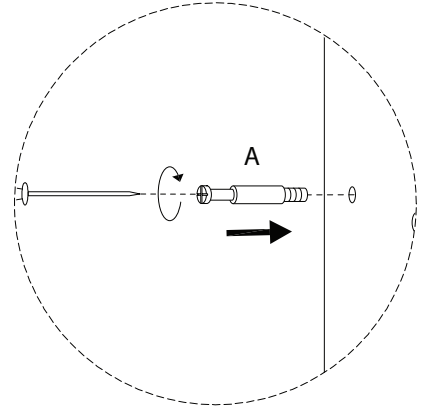
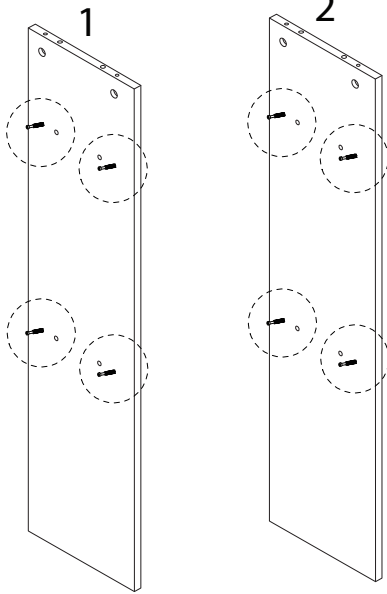
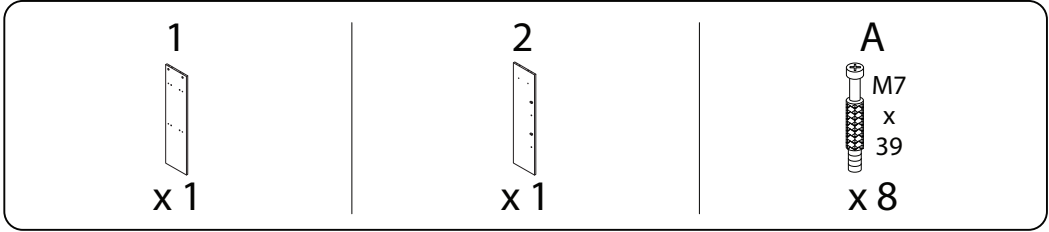
x 24



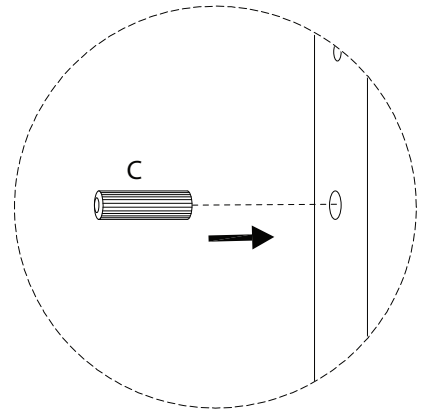
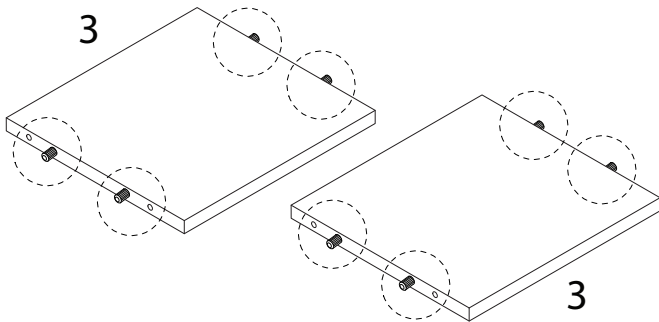
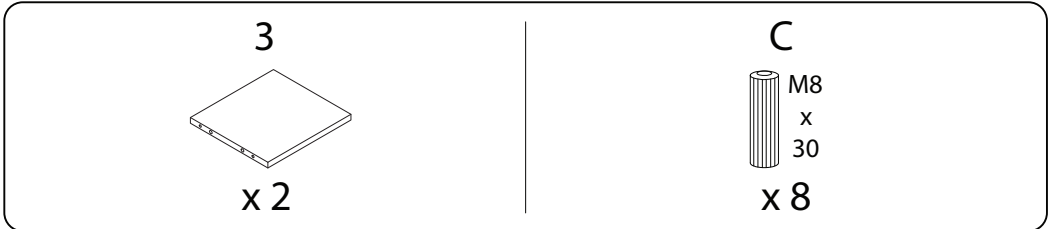
x 6

<p>F</p>  <p>M3 x 16</p> <p>x 20</p>	<p>G</p>  <p>x 2</p>	<p>H</p>  <p>x 2</p>	<p>I</p>  <p>x 2</p>
<p>J<sub>1</sub></p>  <p>x 4</p>	<p>J<sub>2</sub></p>  <p>M4 x 10</p> <p>x 4</p>	<p>K<sub>1</sub></p>  <p>x 3</p>	<p>K<sub>2</sub></p>  <p>M4 x 15</p> <p>x 6</p>
<p>L</p>  <p>x 2</p>	<p>M<sub>1</sub></p>  <p>x 5</p>	<p>M<sub>2</sub></p>  <p>M3 x 20</p> <p>x 5</p>	<p>N</p>  <p>x 2</p>
<p>O</p>  <p>M3.5 x 14</p> <p>x 8</p>	<p>P</p>  <p>M6 x 30</p> <p>x 4</p>	<p>Q</p>  <p>x 2</p>	<p>R</p>  <p>M4.2 x 40</p> <p>x 2</p>
<p>S</p>  <p>x 2</p>	<p>T<sub>1</sub></p>  <p>x 2</p>	<p>T<sub>2</sub></p>  <p>M4 x 30</p> <p>x 2</p>	<p>U</p>  <p>x 1</p>

1



2

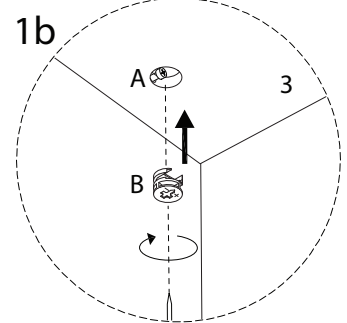
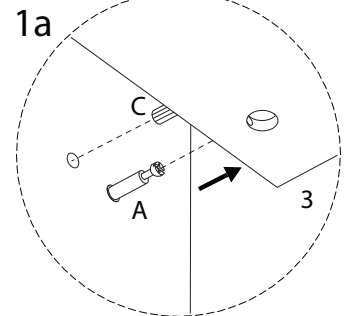
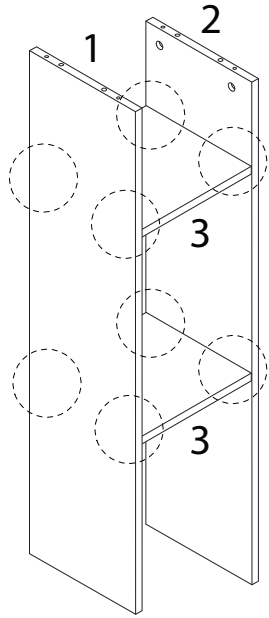


3

B



x 8



4

4

x 1

N

x 2

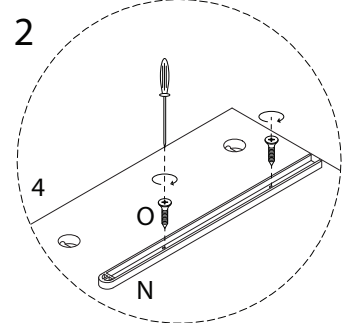
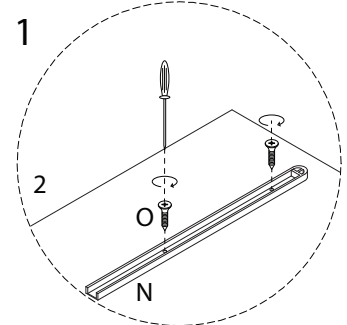
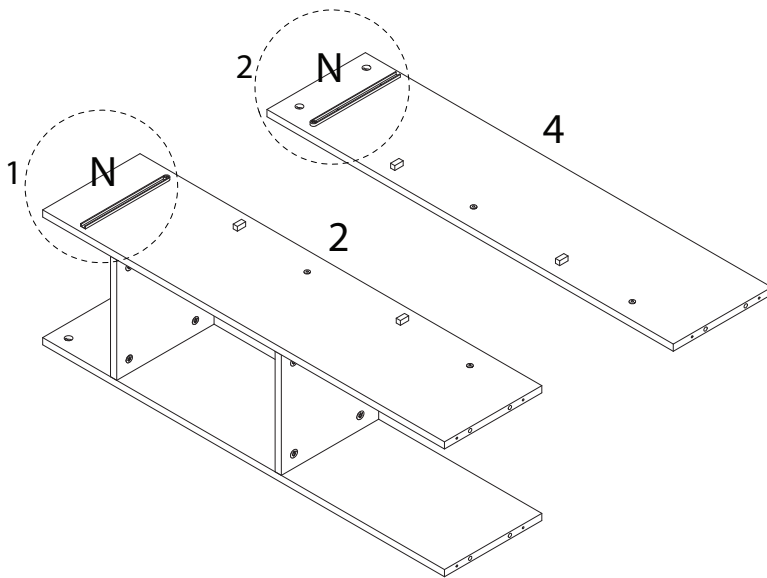
O



M3.5

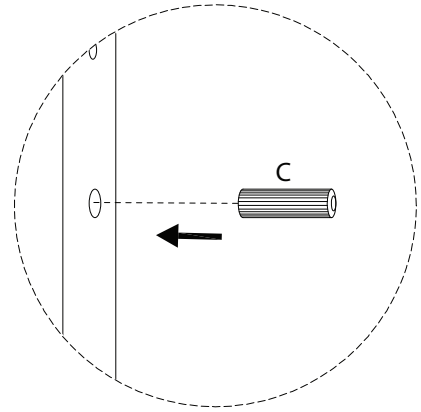
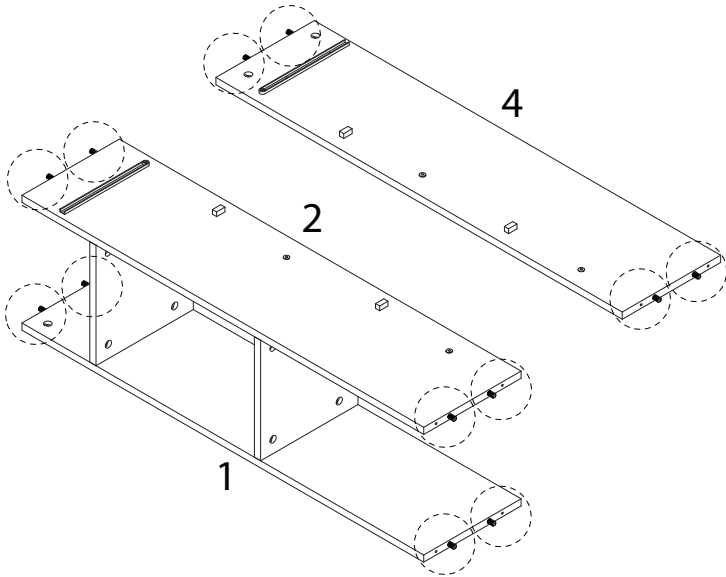
x 14

x 4

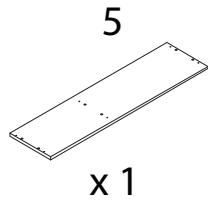


5

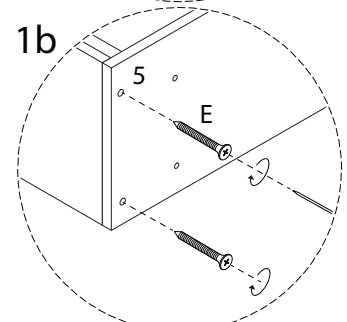
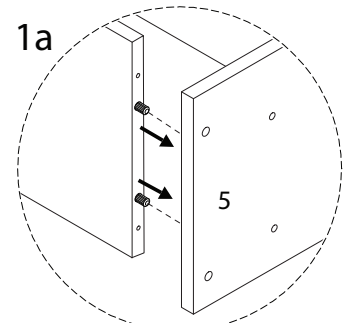
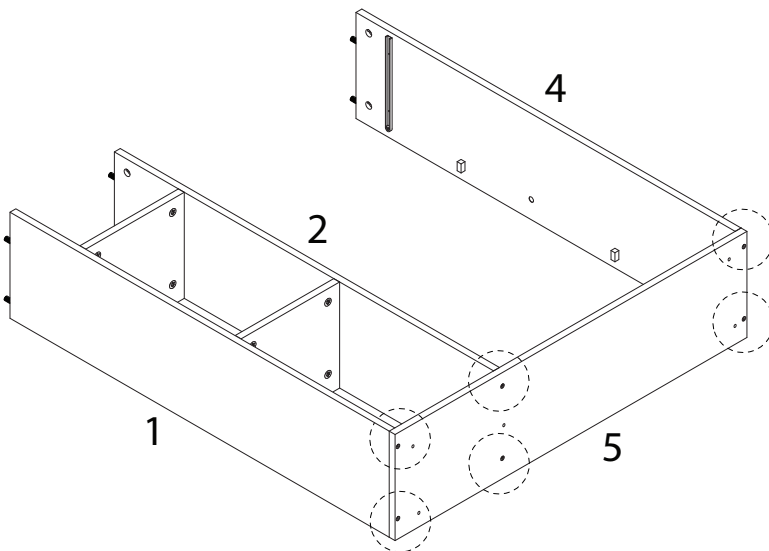
C  
M8  
x  
30  
x 12



6



E  
M5  
x  
40  
x 6





7

M<sub>1</sub>

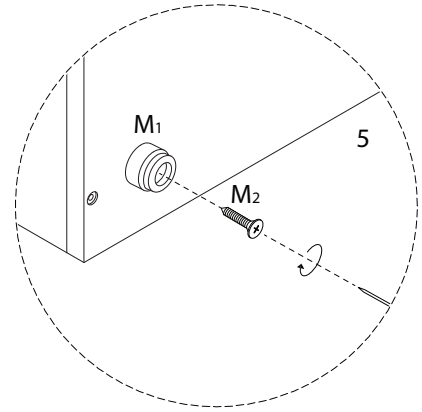
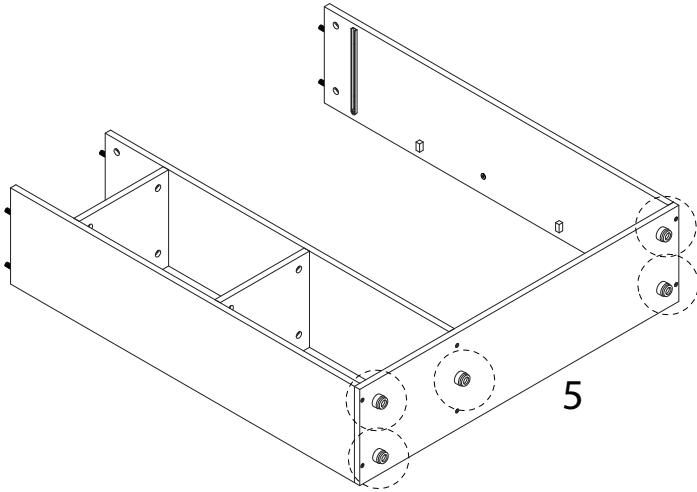


x 5

M<sub>2</sub>

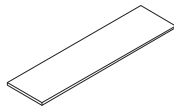


x 5



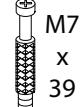
8

6

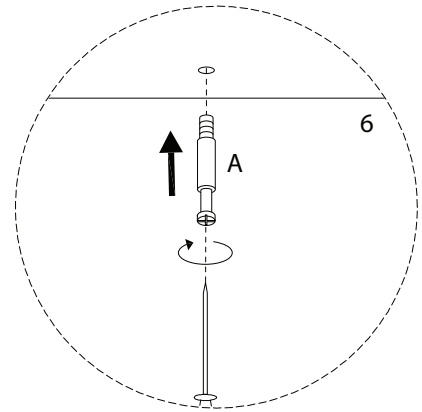
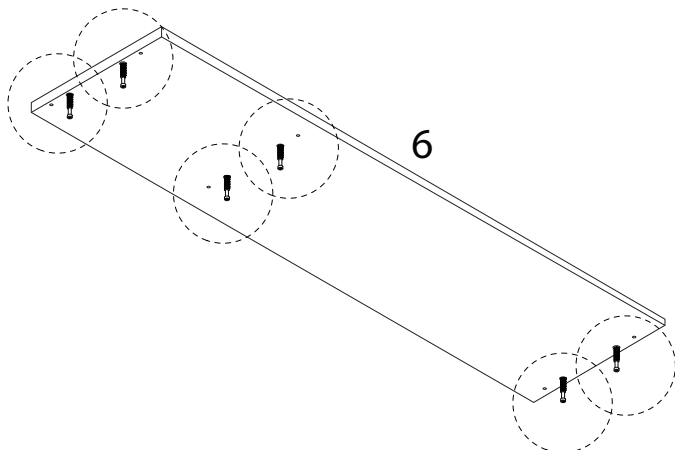


x 1

A



x 6

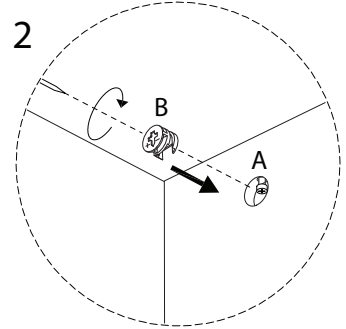
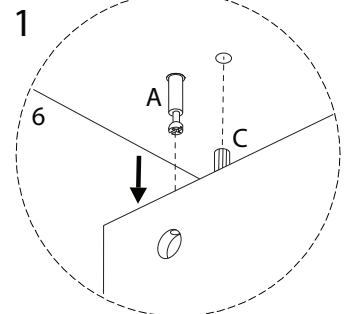
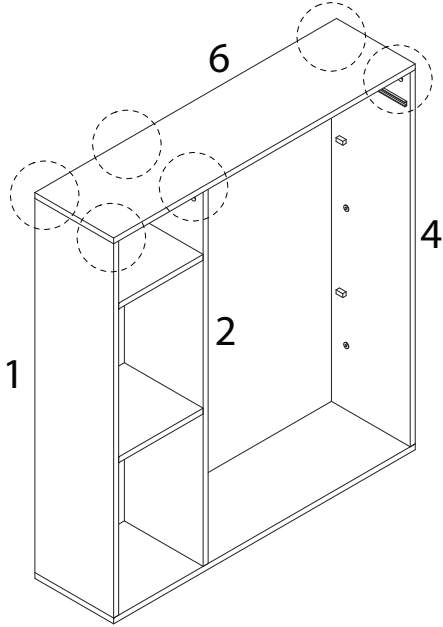


9

B

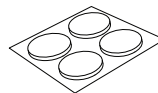


x 6

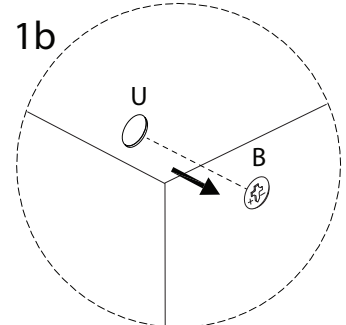
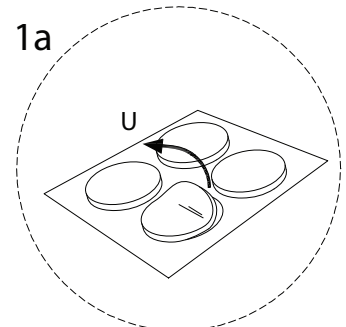
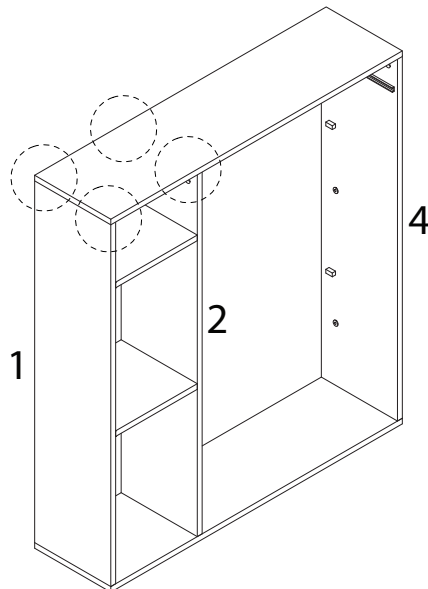


10

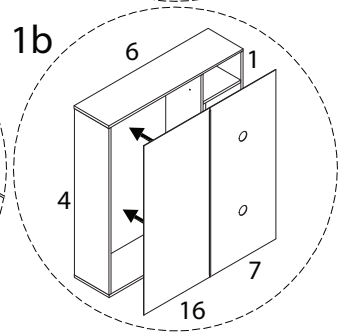
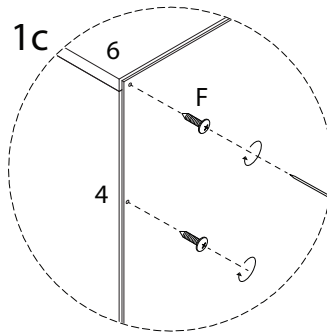
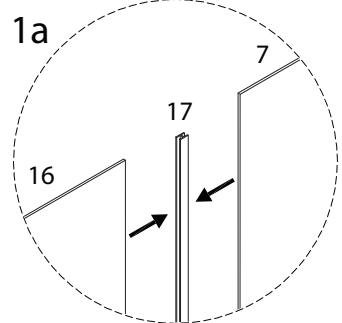
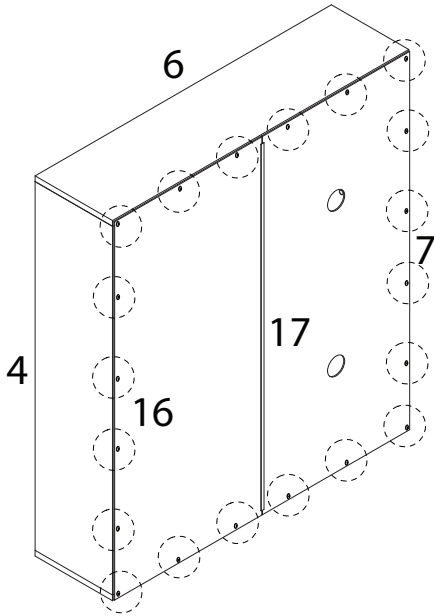
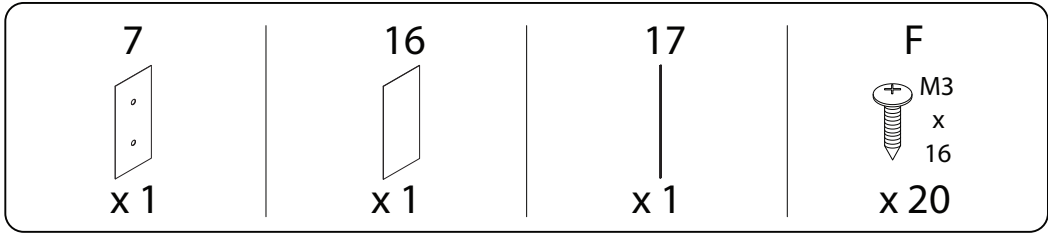
U



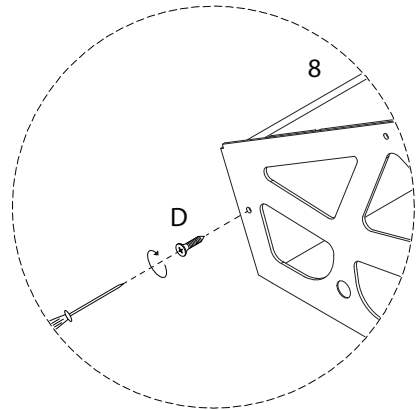
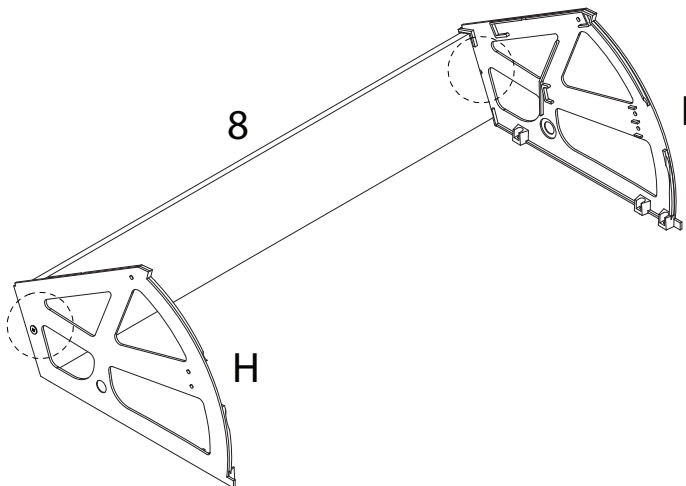
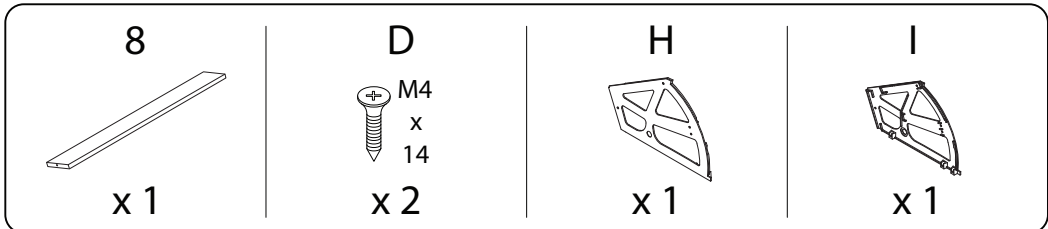
x 1



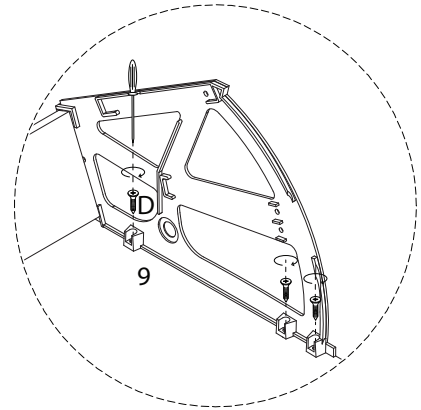
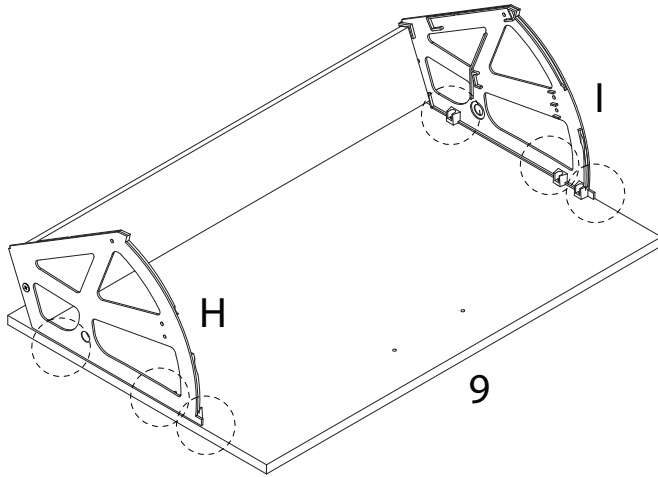
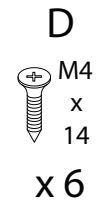
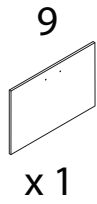
11



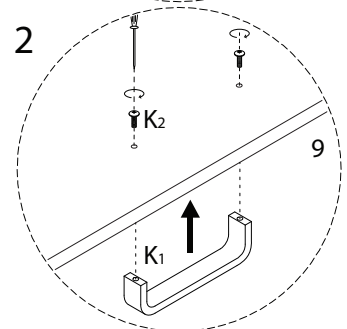
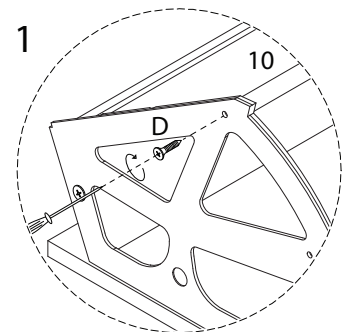
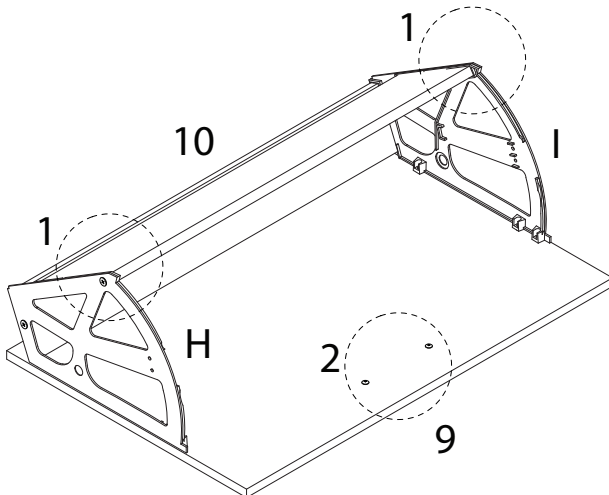
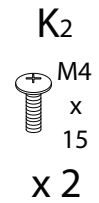
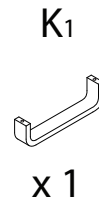
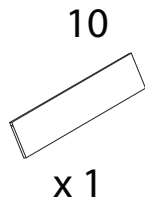
12 x 2



13 x 2



14 x 2



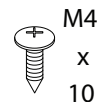
15

J<sub>1</sub>

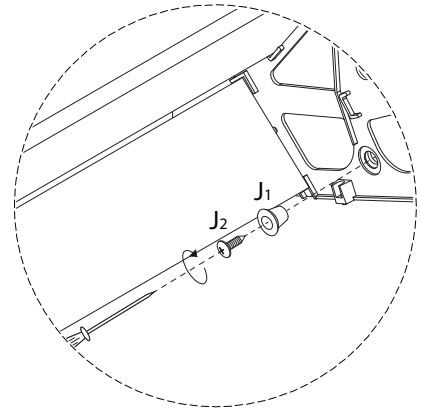
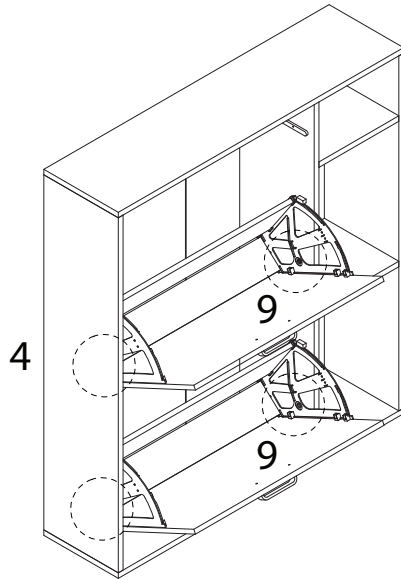


x 4

J<sub>2</sub>

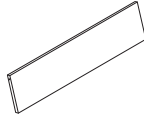


x 4



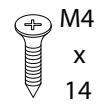


10



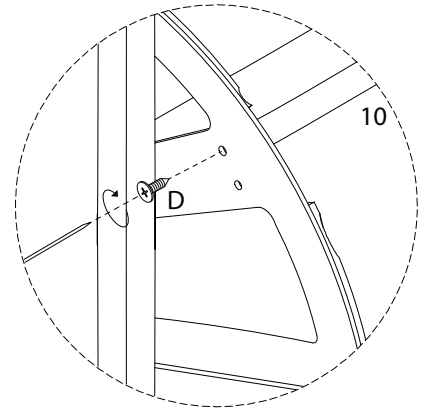
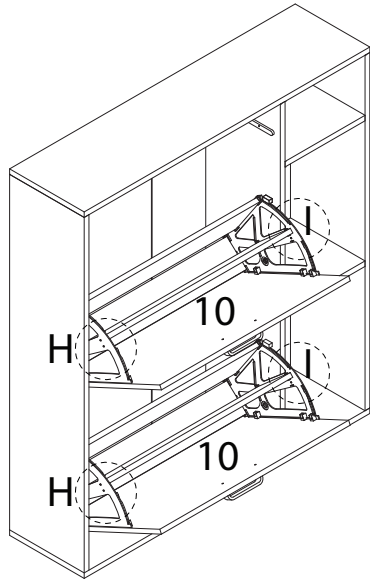
x 2

D

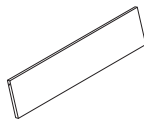


M4  
x  
14

x 4

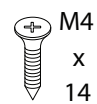


10



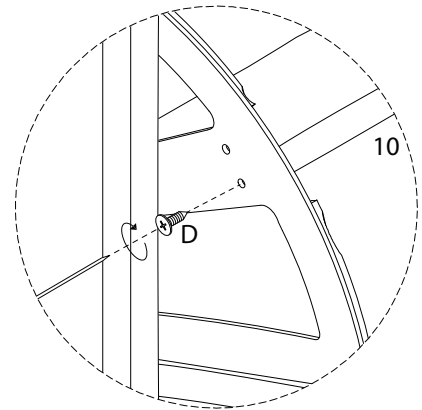
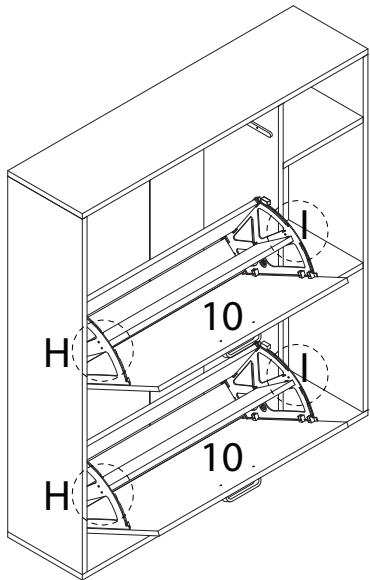
x 2

D

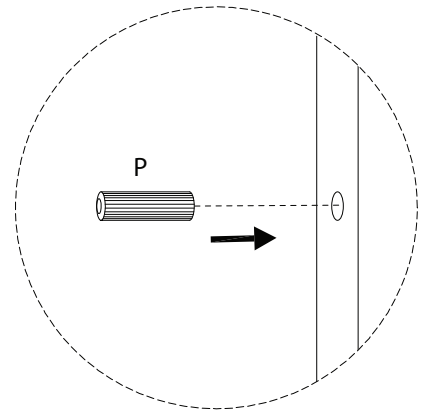
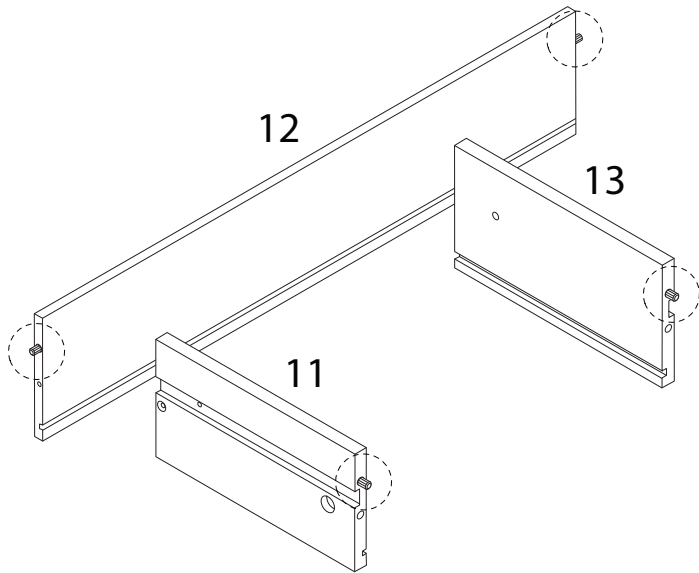
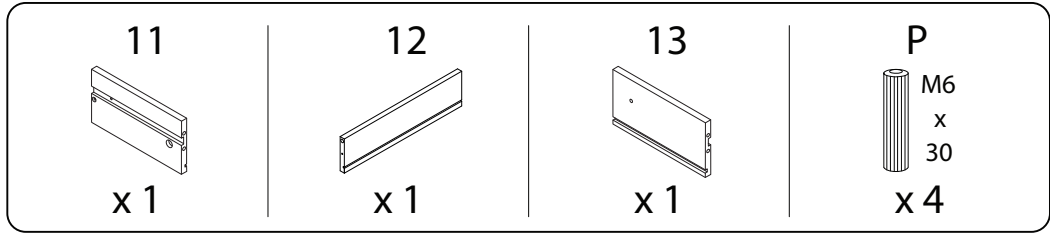


M4  
x  
14

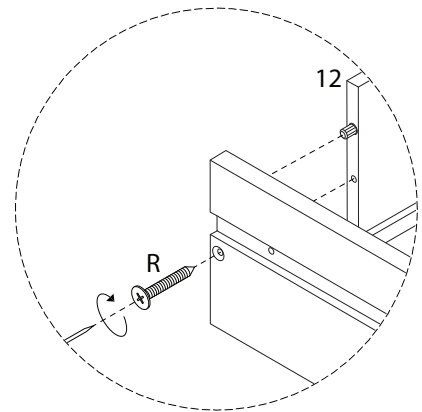
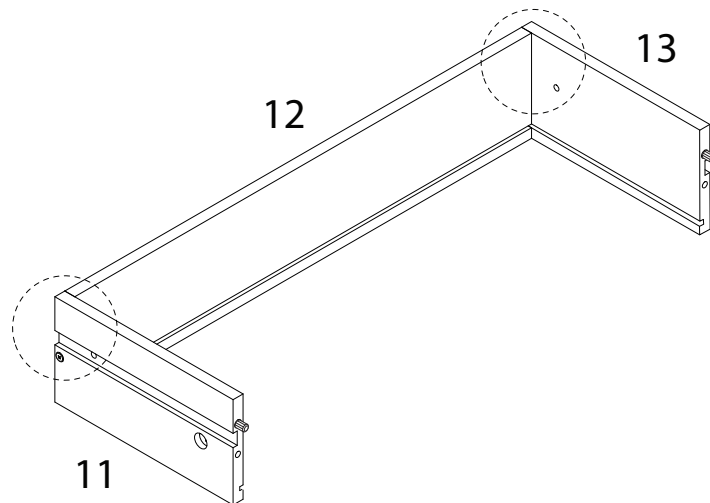
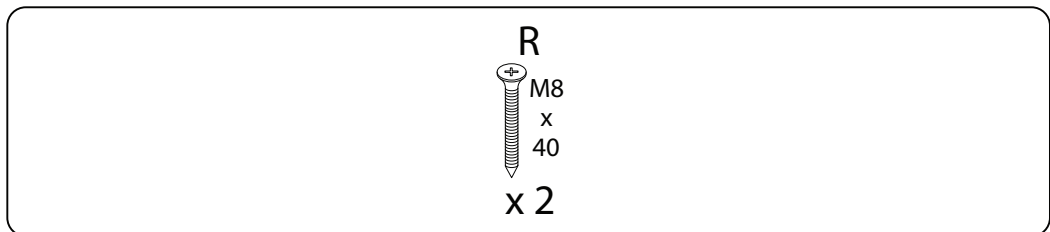
x 4



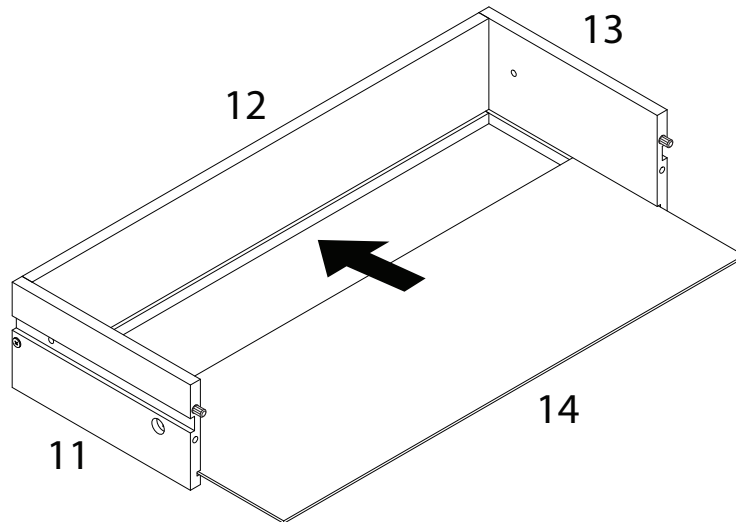
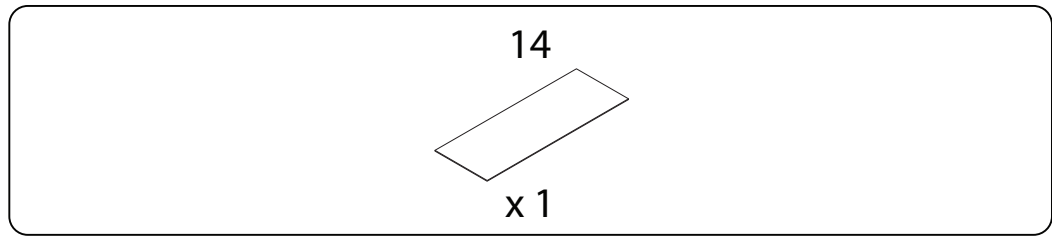
16



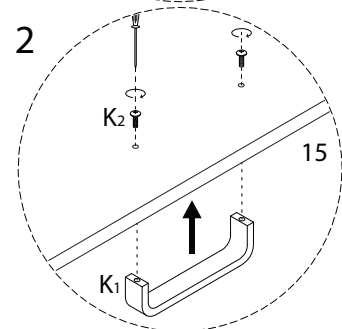
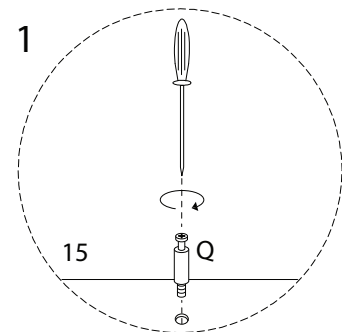
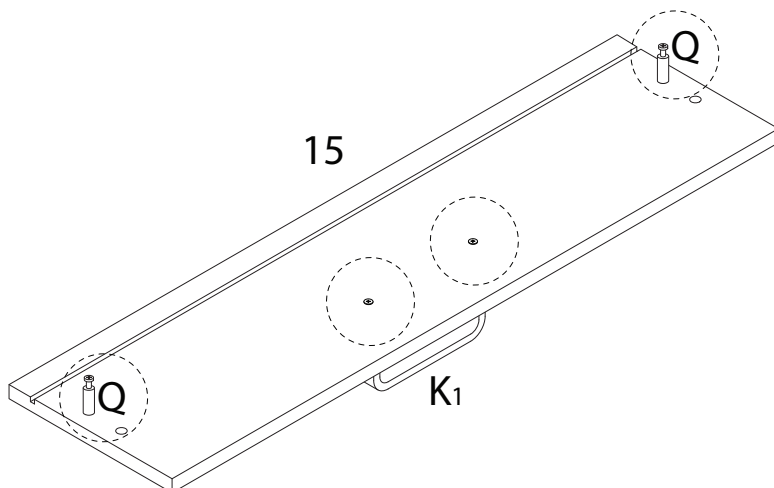
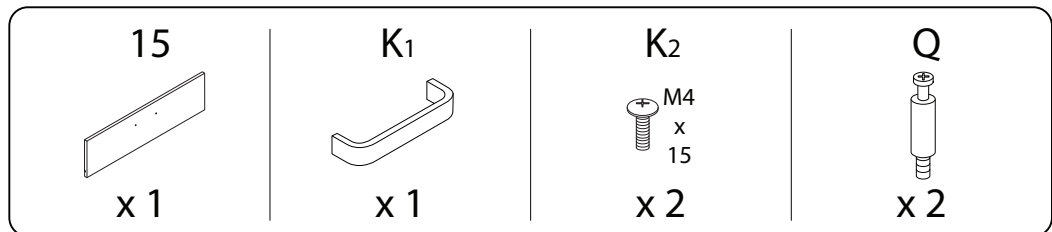
17



18



19



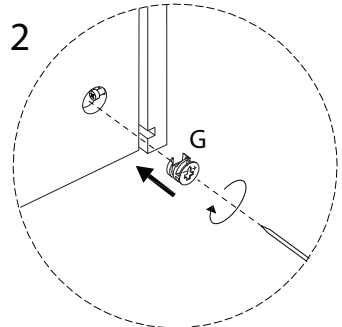
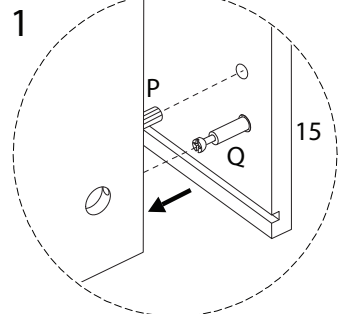
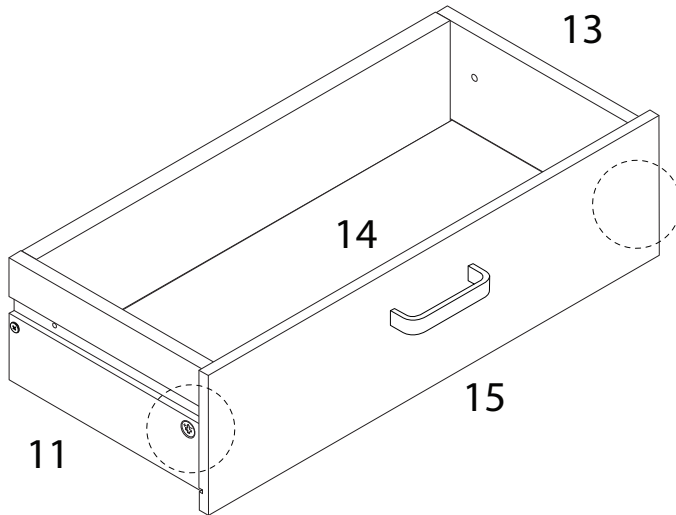


20

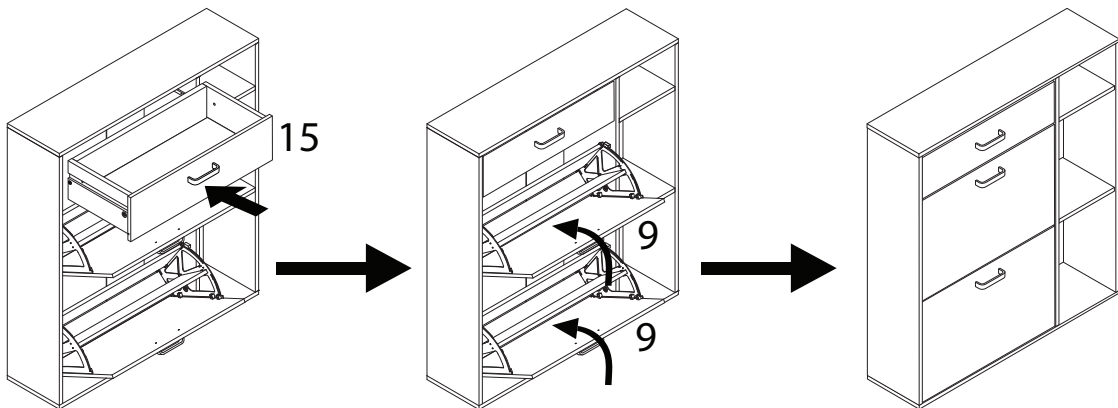
G



x 2



21

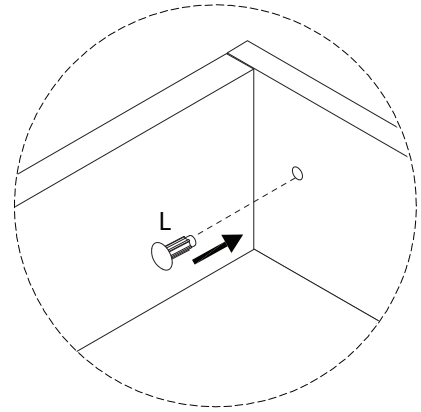
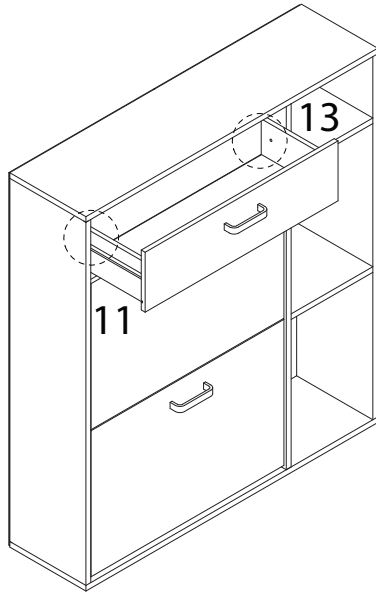


22

L

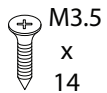


x 2



23

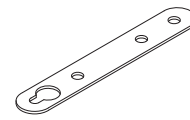
O



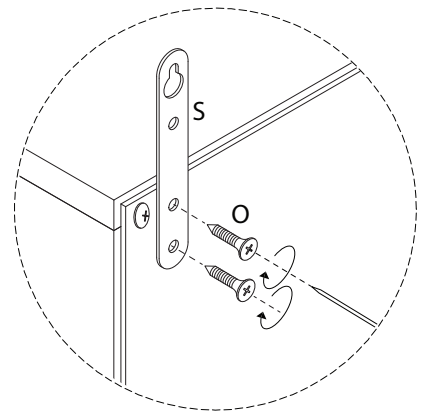
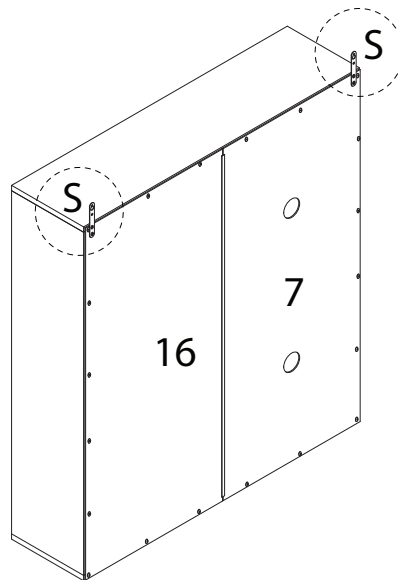
x 14

x 4

S

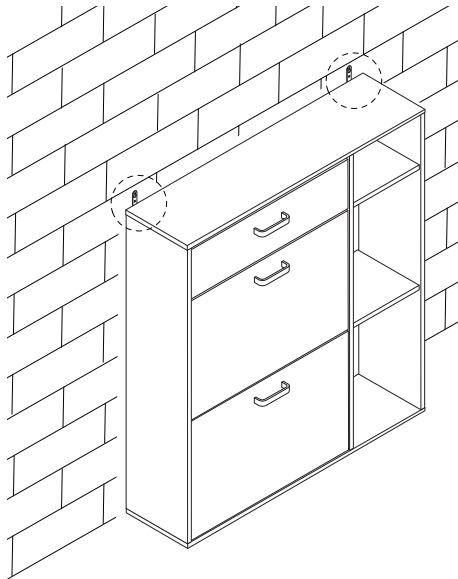


x 2

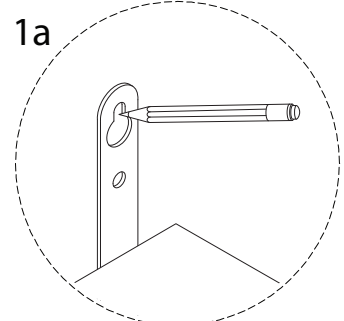


24

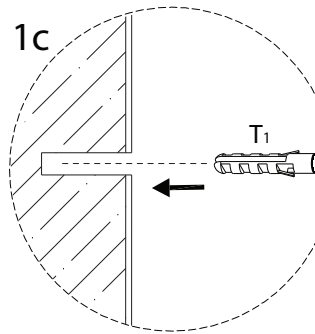
T<sub>1</sub>  
x 2



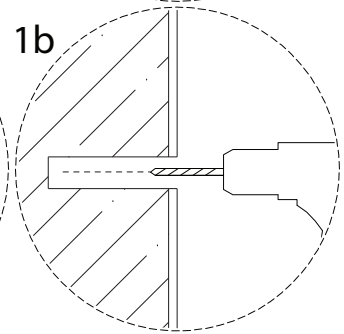
1a



1c



1b



25

T<sub>2</sub>  
M4  
x  
30  
x 2

