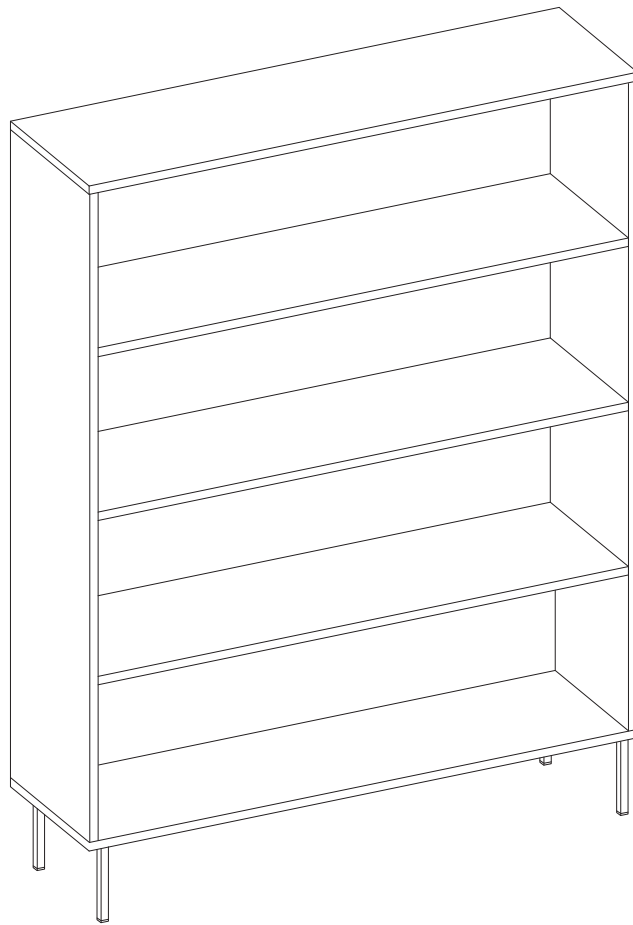
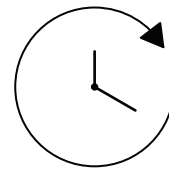
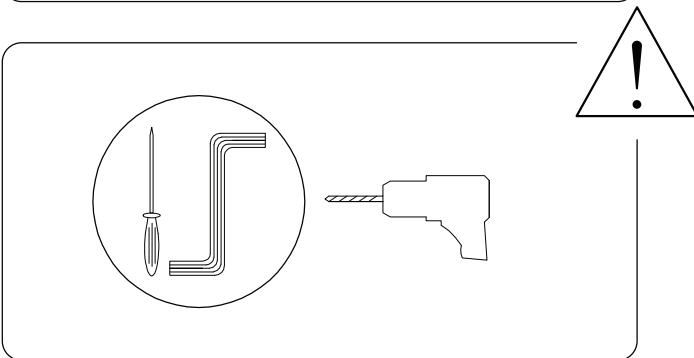
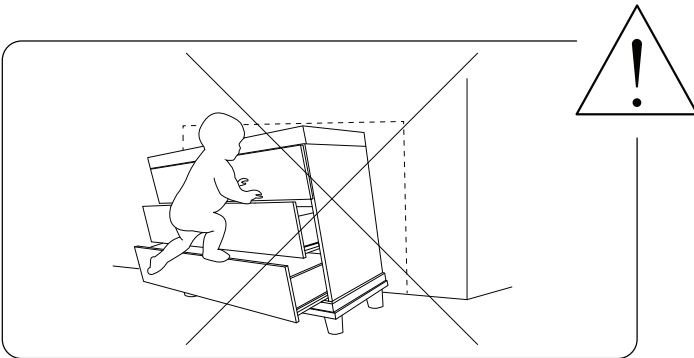
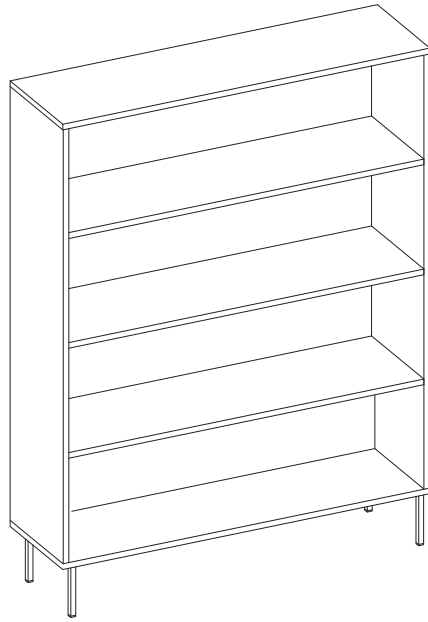
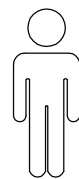
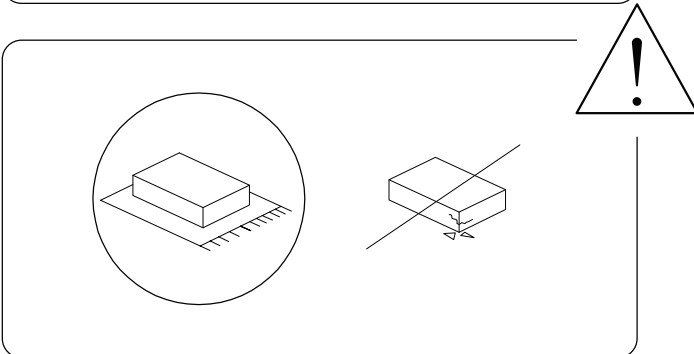


NANTON

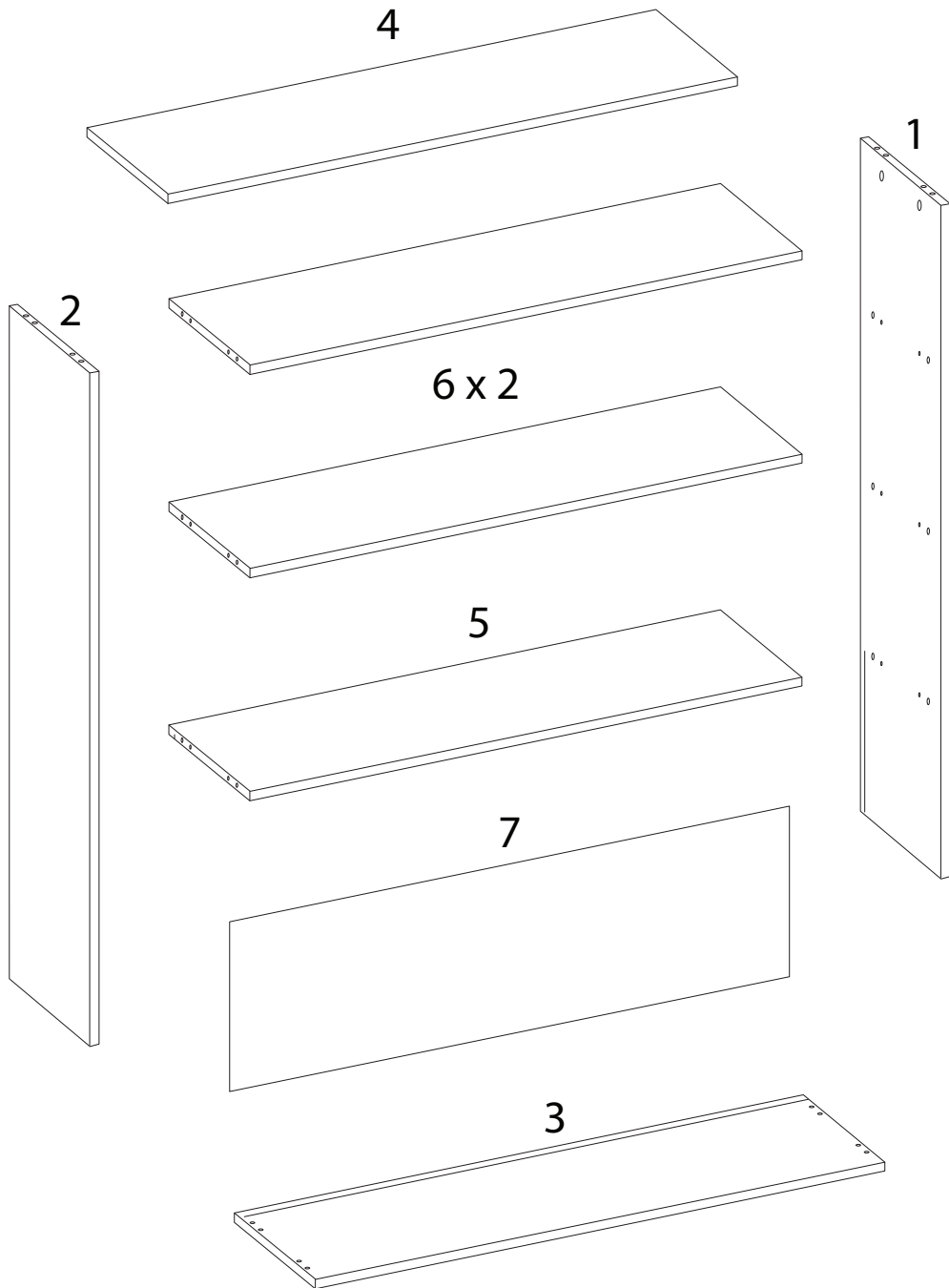






60'

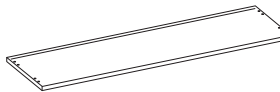


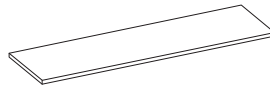
2

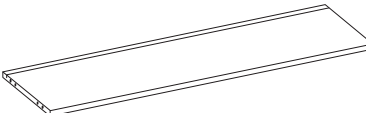


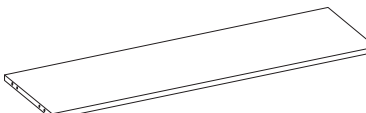
1

x 1

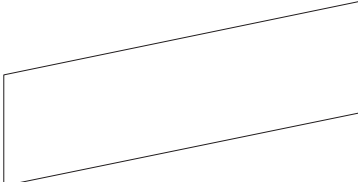
2

x 1

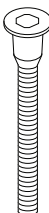
3

x 1

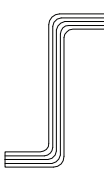
4

x 1

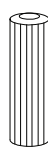
5

x 1


6

x 2

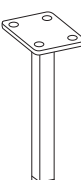
7

x 1

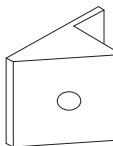
A₁

M6.3
x
50
x 4

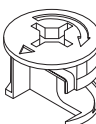
A₃

x 1


B

x 20


E

M3.5
x
16
x 10


N₃

x 4

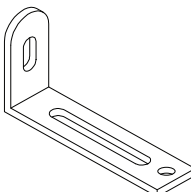
P

x 6

R₁

x 16

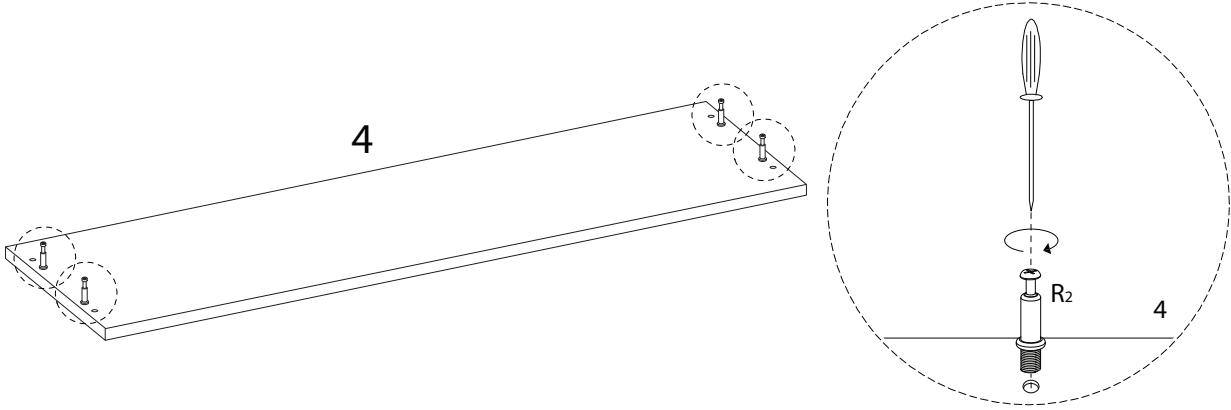
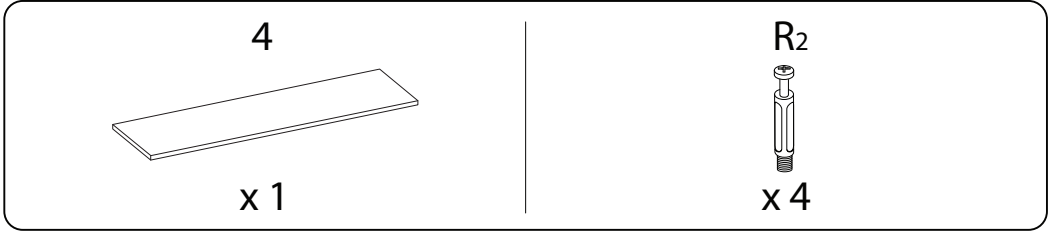
R₂

x 16

R₃

x 16

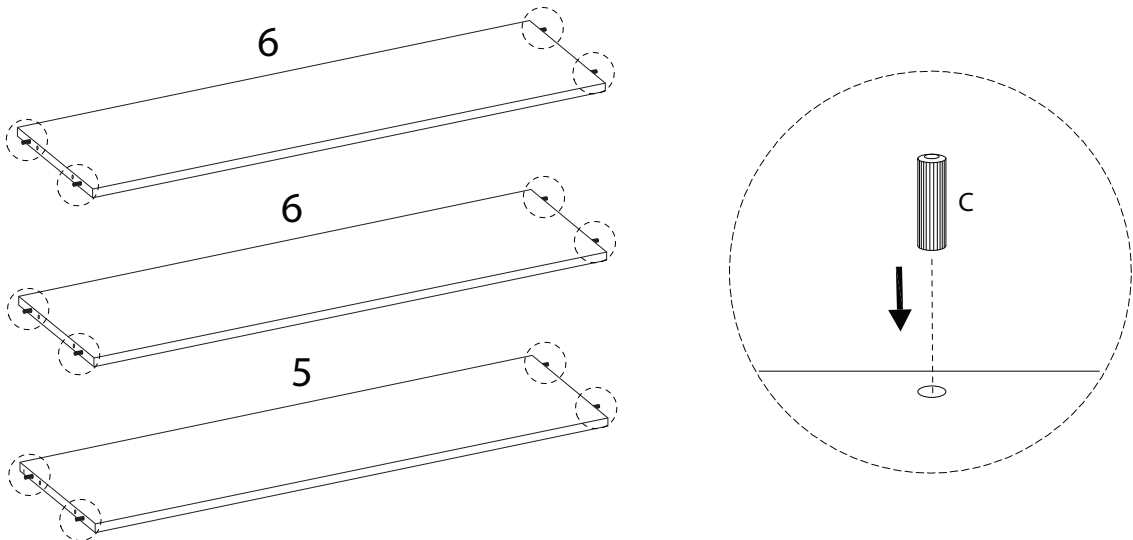
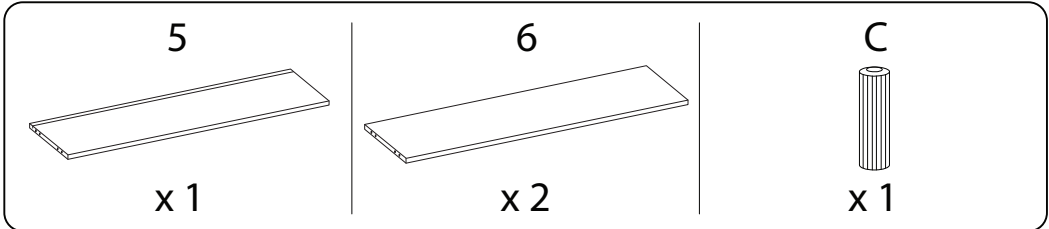
T

M6.3
x
13
x 16

W₃

x 2

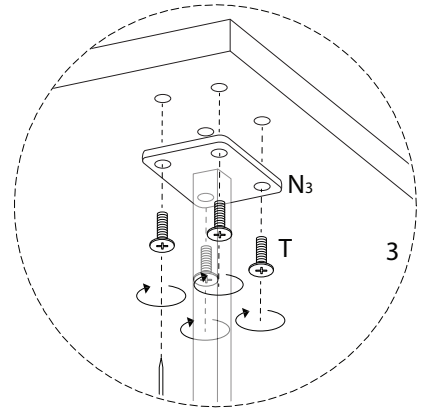
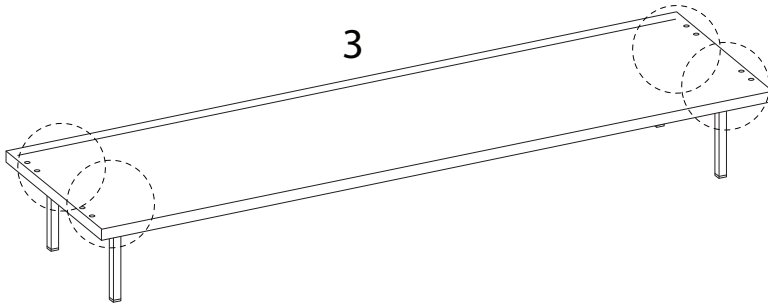
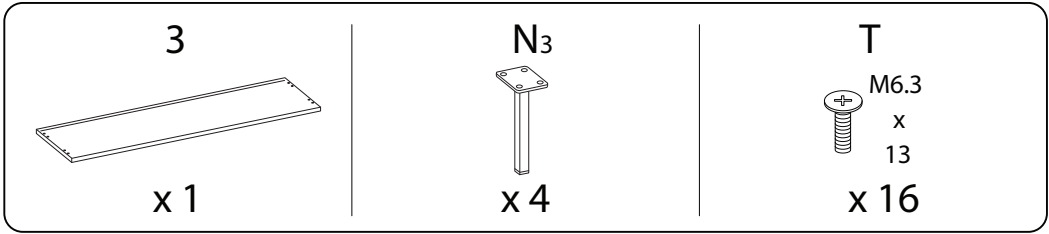
1



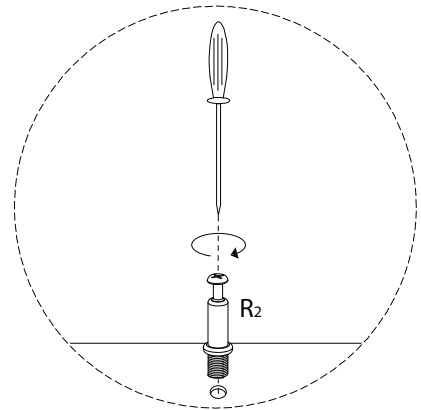
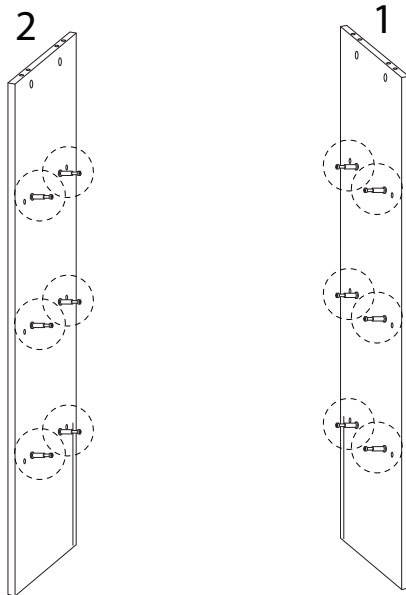
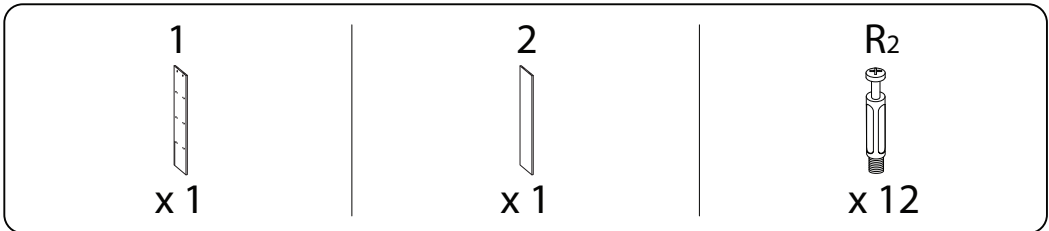
2



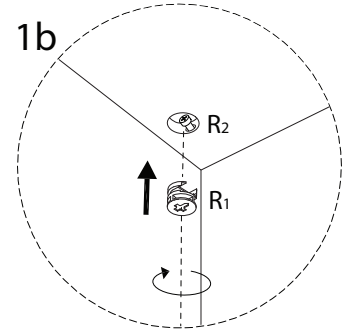
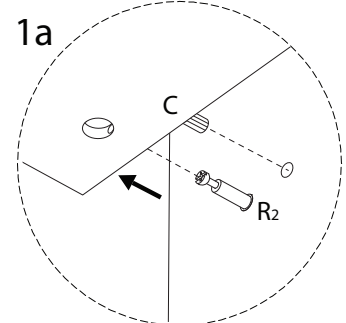
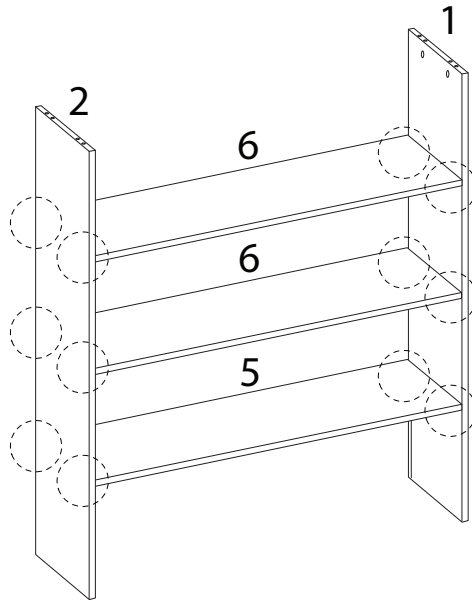
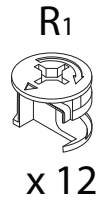
3



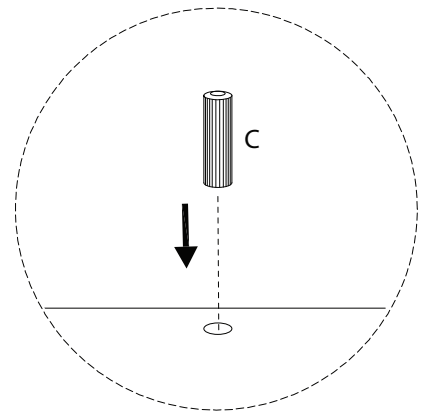
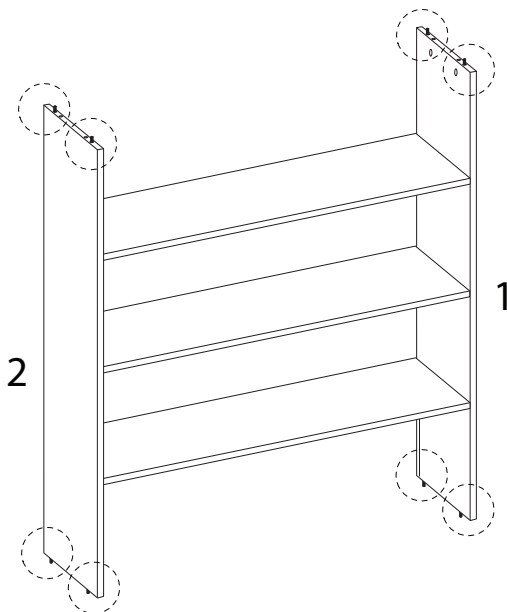
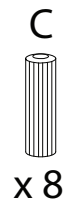
4



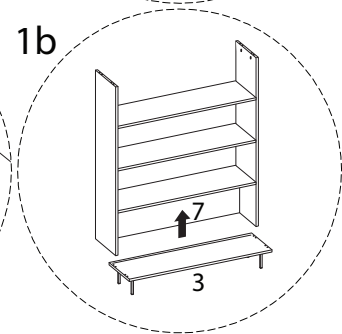
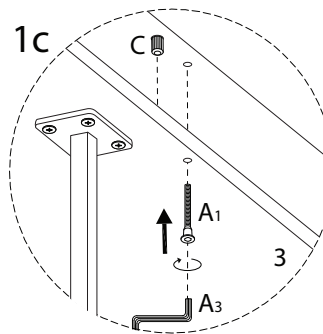
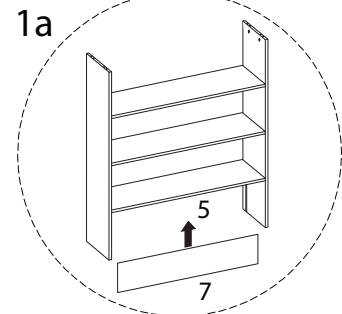
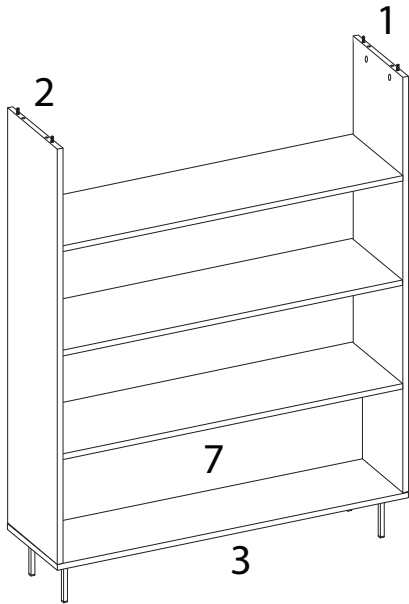
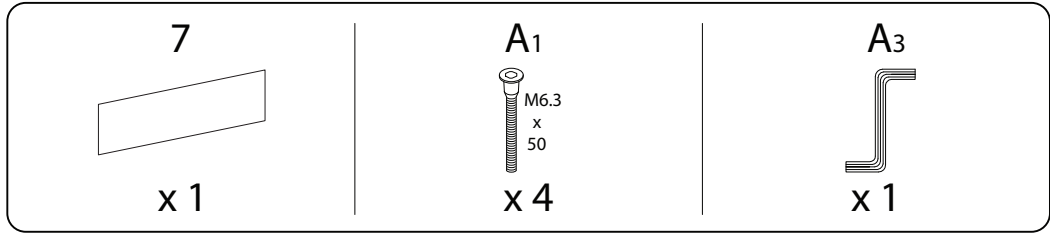
5



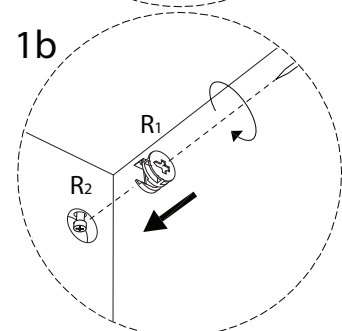
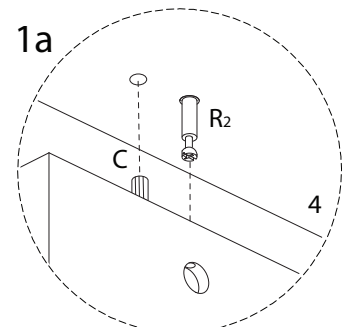
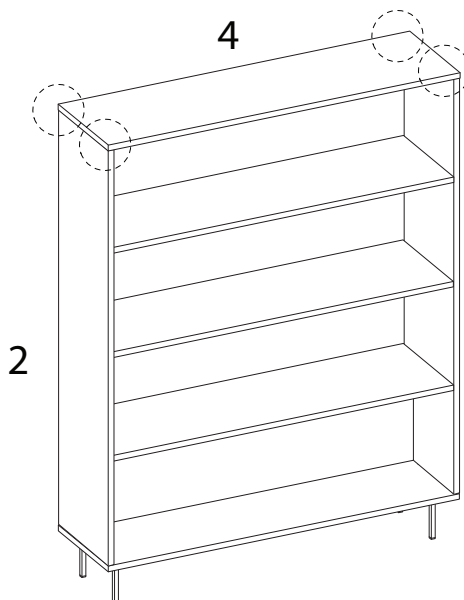
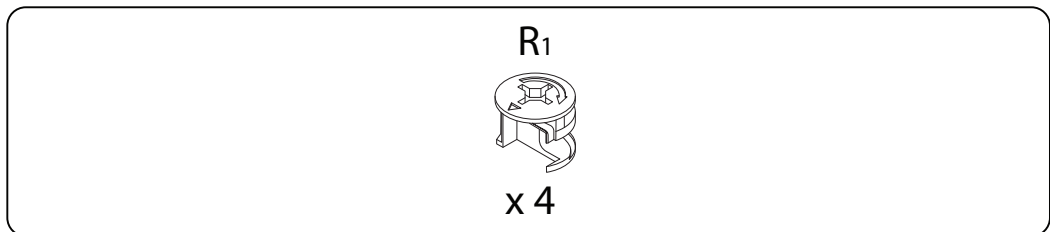
6



7



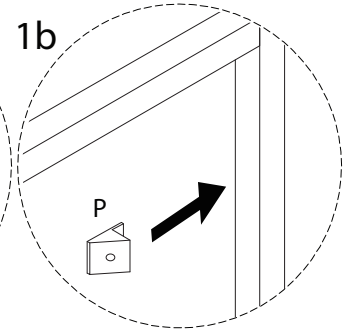
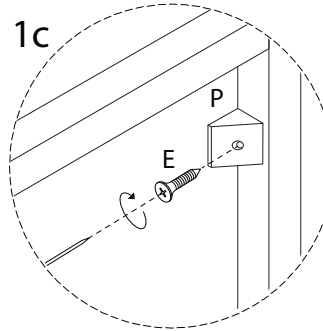
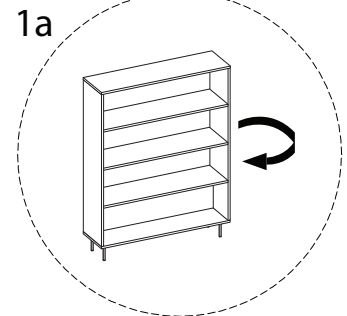
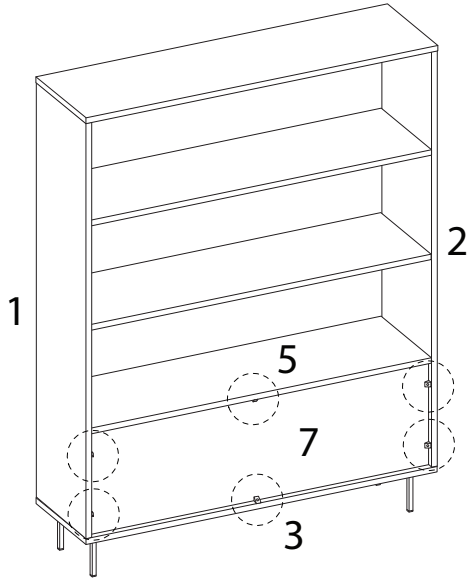
8



9

E
M3.5
x
16
x 6

P
x 6

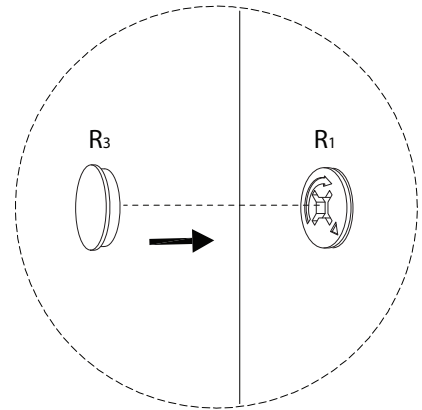
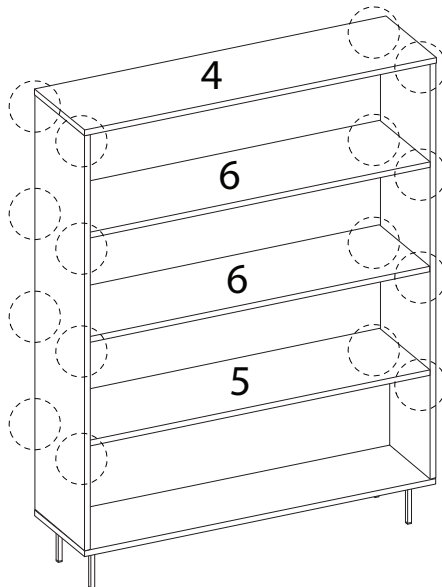


10

R₃



x 16



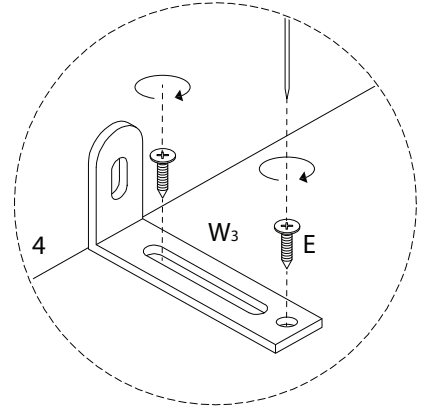
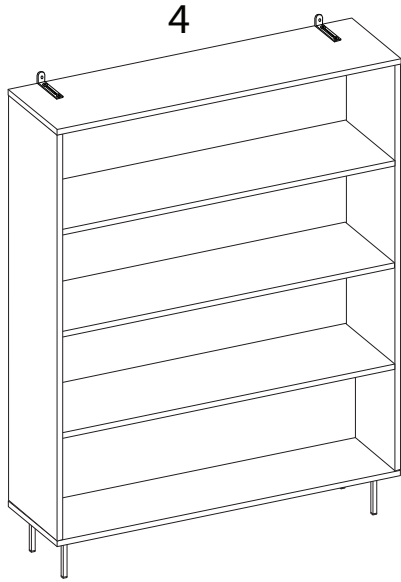
11

E

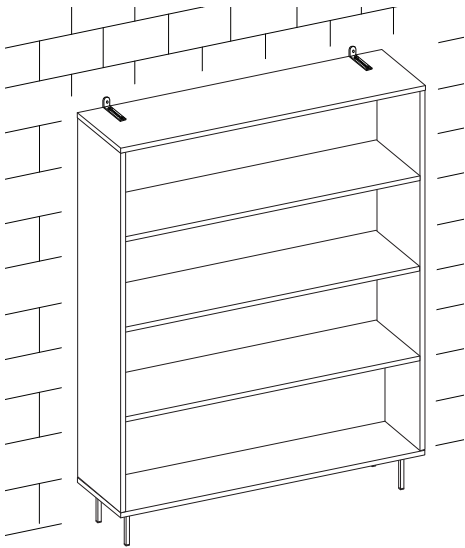
M3.5
x
16
x 4

W3

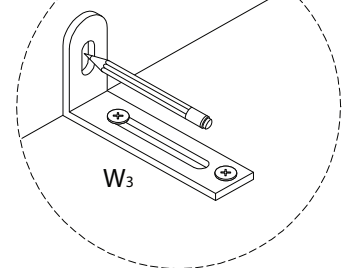
x 1



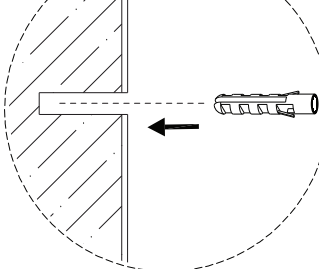
!



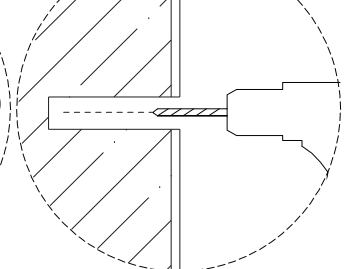
1a



1c



1b



!

