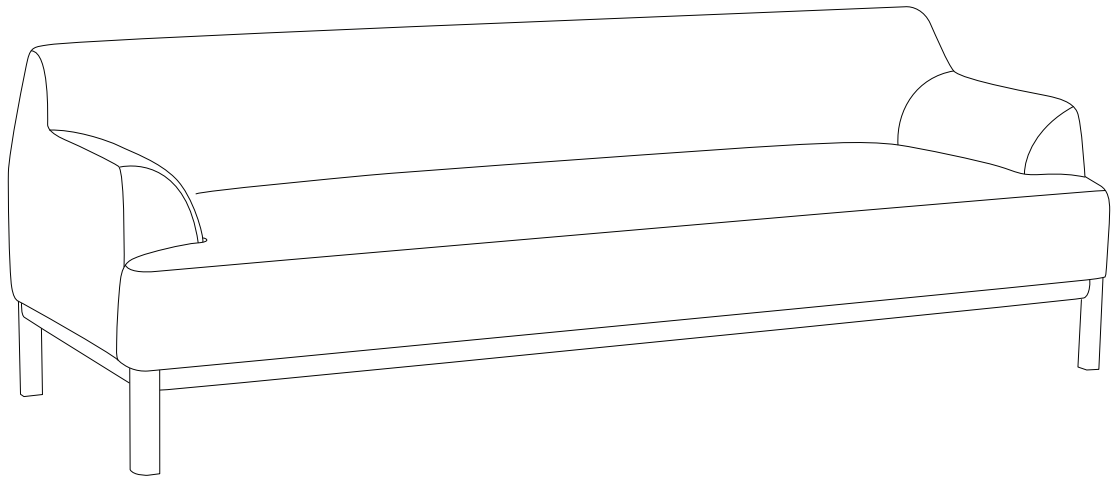
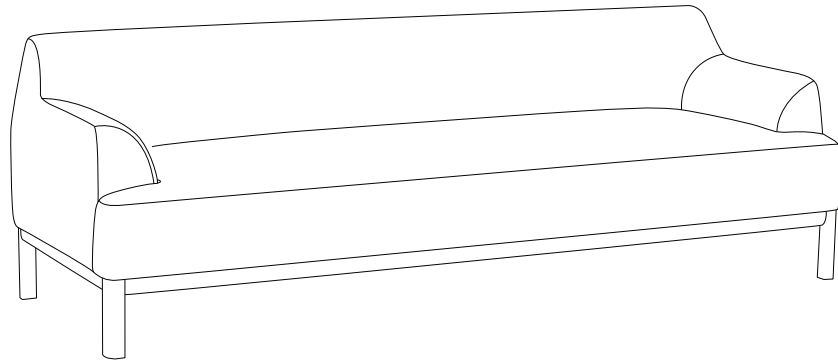
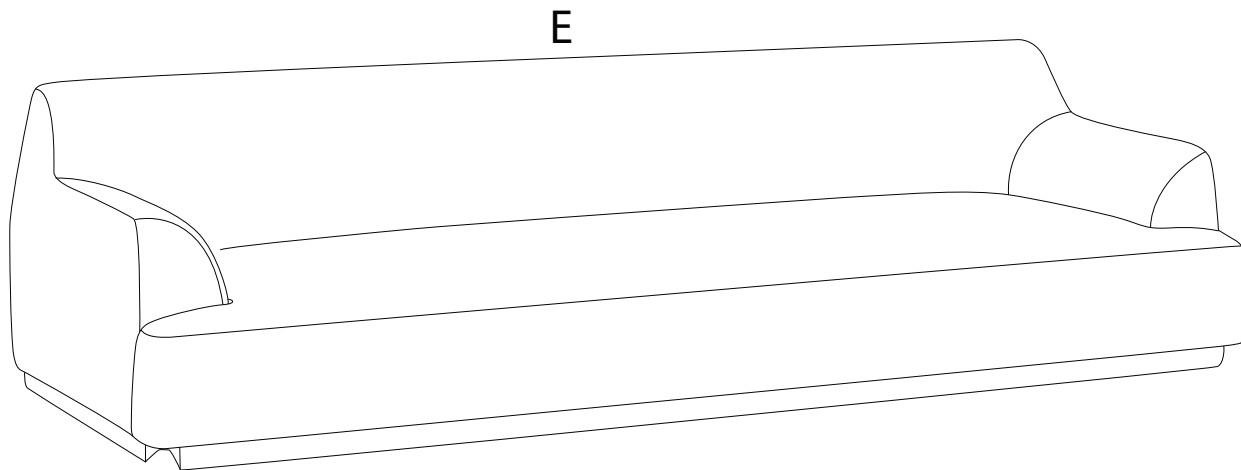


SOSJO

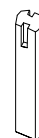
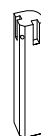




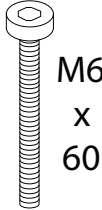
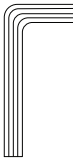



An L-shaped metal bracket is shown inside a circle. To its right is a power drill with a diagonal line through it, indicating it should not be used.	A triangle with an exclamation mark inside, indicating a warning.	A simple clock face with tick marks and two hands.
<p>10'</p>		
A rectangular block is shown on a mat with a fringed edge inside a circle. To its right is the same block on a flat surface with a diagonal line through it, indicating it should not be placed on a flat surface.	A triangle with an exclamation mark inside, indicating a warning.	A simple stick figure representing a person.
<p>2</p>		



A x 8



A	B	C	D	E
		 M6 x 60		
x 4	x 4	x 4	x 1	x 1

1

