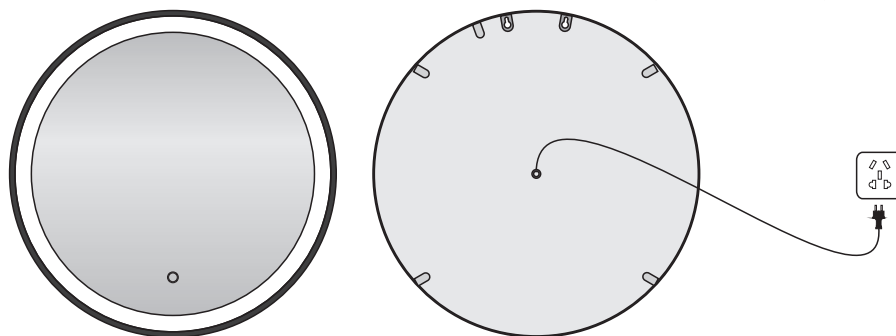
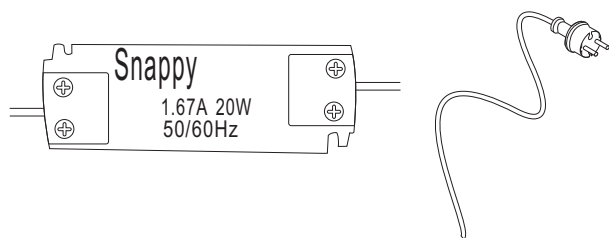


Installation manual of NUMEA ML8941(600*600)



COMPONENTS



LED Belt:3528-60-6000K

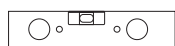
Maintenance Instruction:

1. When use the mirror, please don't put the chemicals which including acid, alkaline and other corrosive chemicals on the frame of the mirror so that could avoid to affect the surface of the mirror.
2. Please don't put some volative gas in the mirror.
3. Please don't put the wet towel or bath towel in the cabinet, especially don't touch the frame of the mirror so that could be avoid of oxidation.
4. When use the mirror for a long time, after the mirror is not clear, we could use the Mixture of 70% C₂H₅OH and 30% water to clear the mirror.
5. The side of mirror is dealt specially, please use soft cloth to clear it, and keep the side of the mirror dry. Please don't use acid chemicals to clear it.

TOOLS



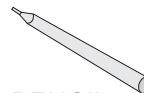
ELECTRIC DRILL



RULER



HAMMER

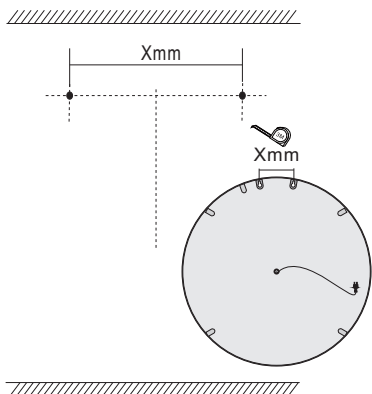


PENCIL

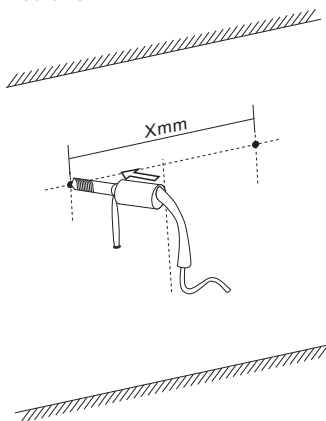


TAPE MEASURE

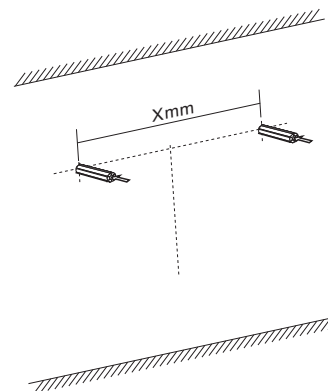
1. Mark the positions of the two screw holes on the wall where you want to install the mirror according to the dimension given in the below sketch



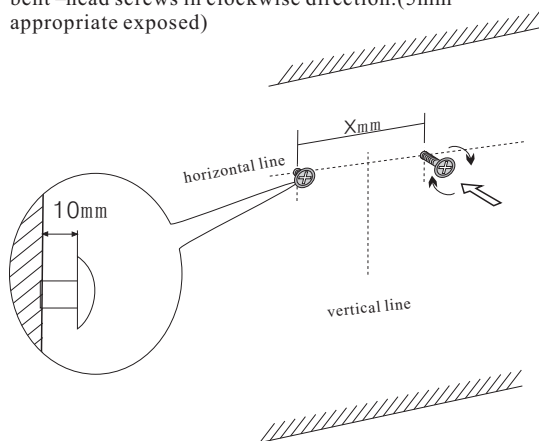
2. Drill holes previously marked, diameter and depth to be same as that of the screws



3. Insert the wall plugs into the drilled holes



4. Spin into the drilling hole on the wall with the bent-head screws in clockwise direction. (5mm appropriate exposed)



5. Place the mirror on the wall.

