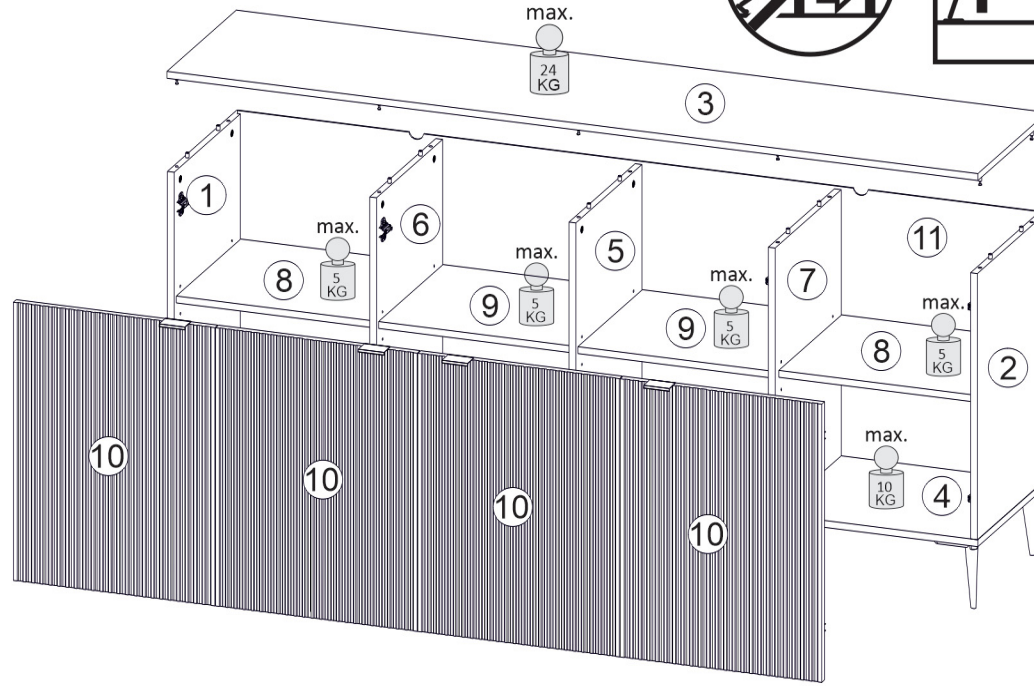
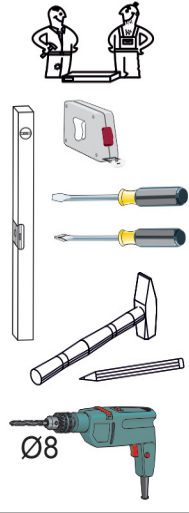
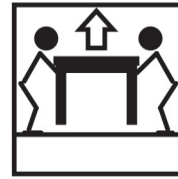
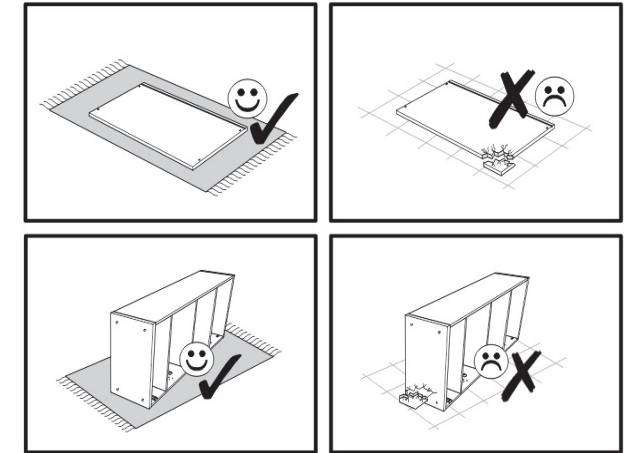


YESINIA BUFFET











1/8



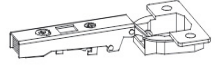

1	618	430	16 x	1 1/2
2	618	430	16 x	1 1/2
3	1900	430	16 x	1 1/2
4	1900	430	16 x	1 1/2
5	618	410	16 x	1 1/2
6	618	410	16 x	1 2/2
7	618	410	16 x	1 2/2
8	456	400	16 x	2 2/2
9	449	400	16 x	2 2/2
10	646	472	18 x	4 2/2
11	632	1880	3 x	1 1/2





1

K2  x20	T1  x10	M1  x10	S10  Us 3x18 x16	P2  Up 3,5x18 x15	W1  x16	S8  Us 4x25 x18	Z1  x10	K11  x10	K7  x1
---	---	---	---	--	---	--	---	--	--

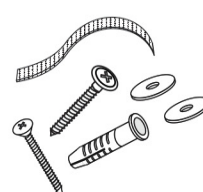
2


Z7  x8	S3  Us 4x13 x16
--	--

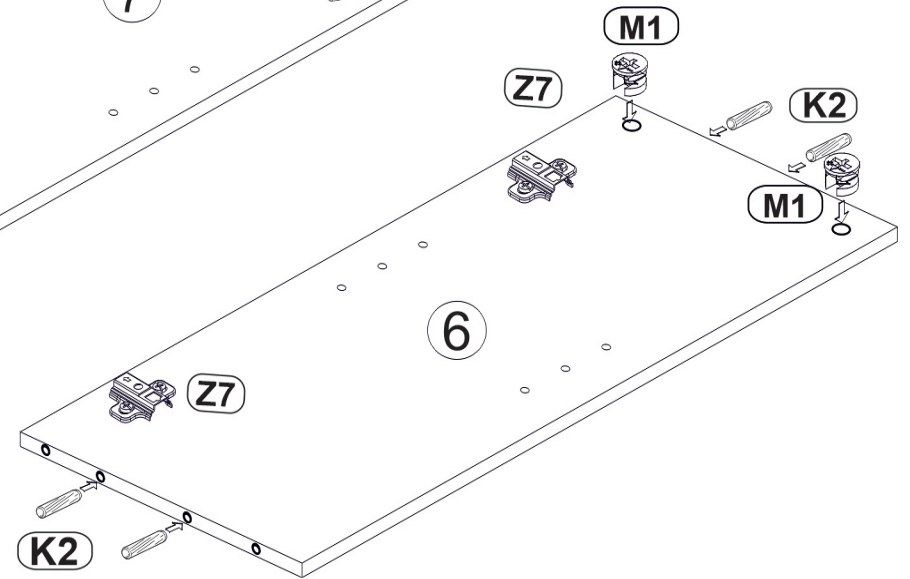
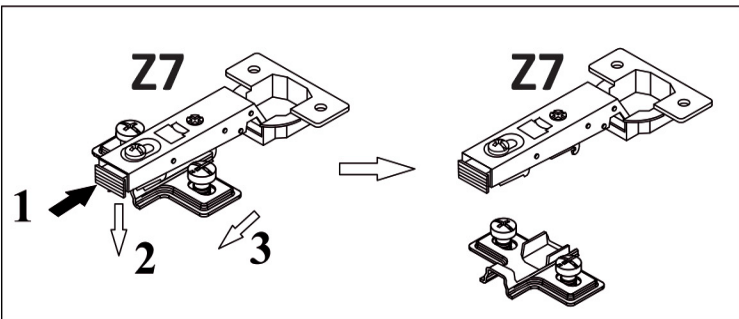
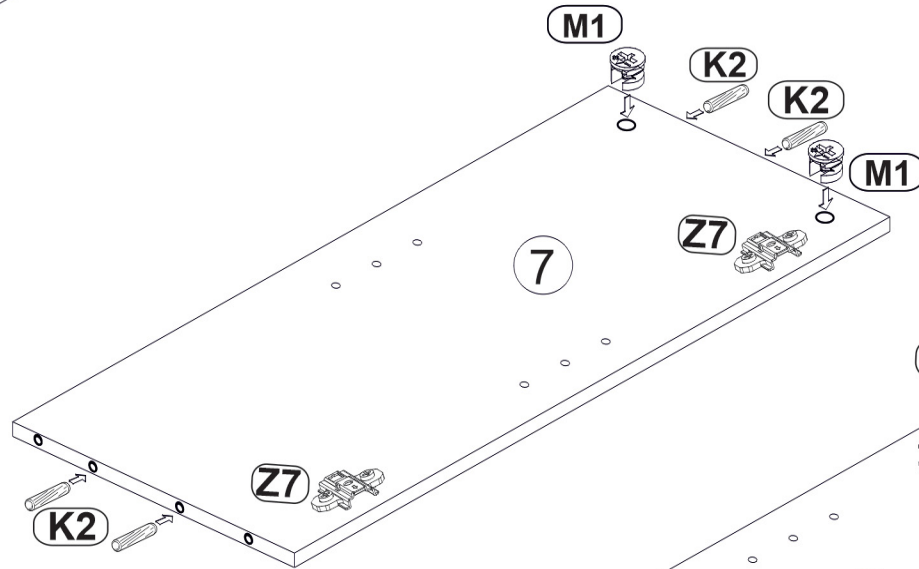
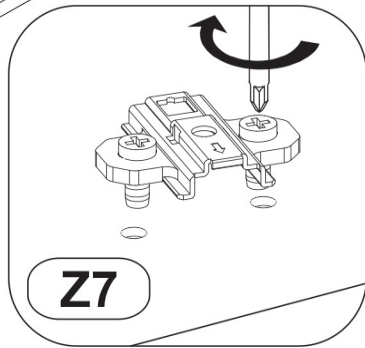
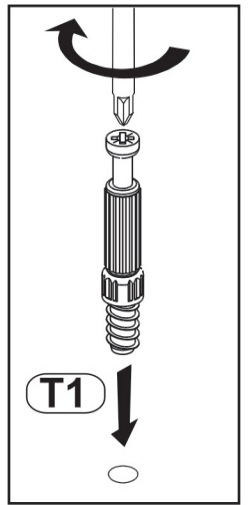
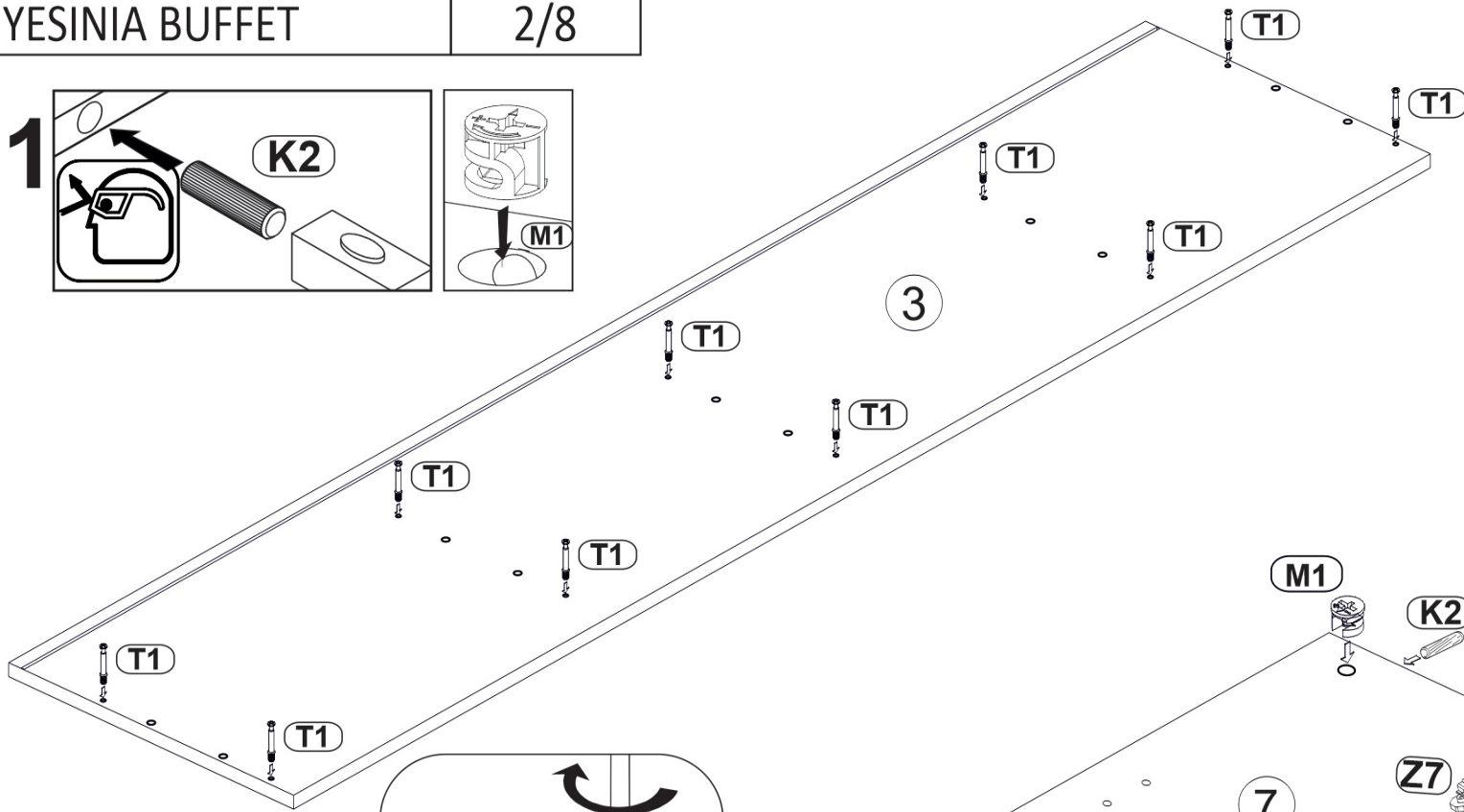
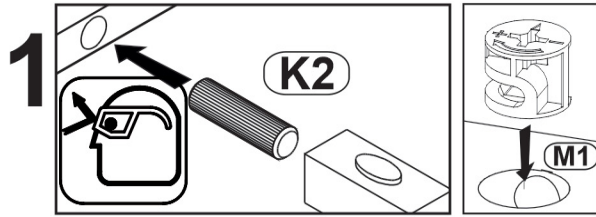
3

U9  x4	S4  Us 3x13 x8
--	--

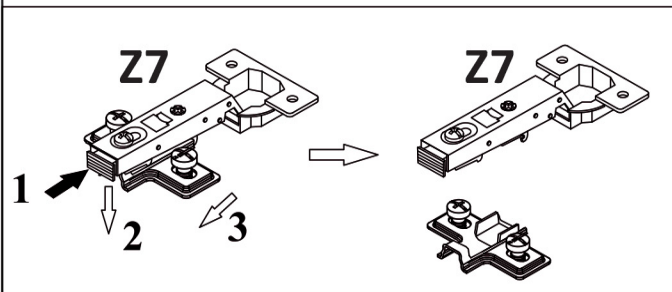
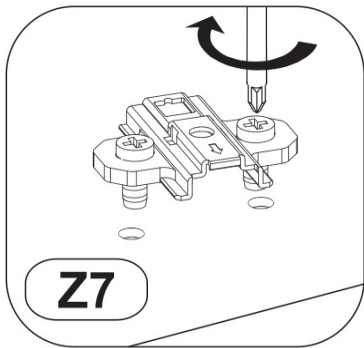
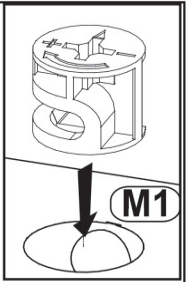
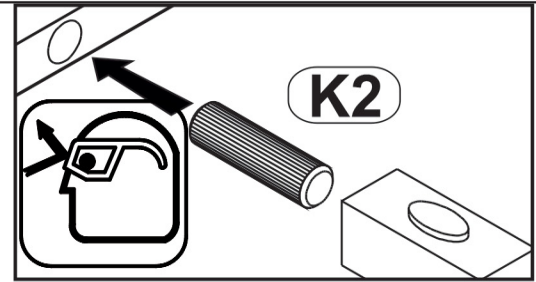
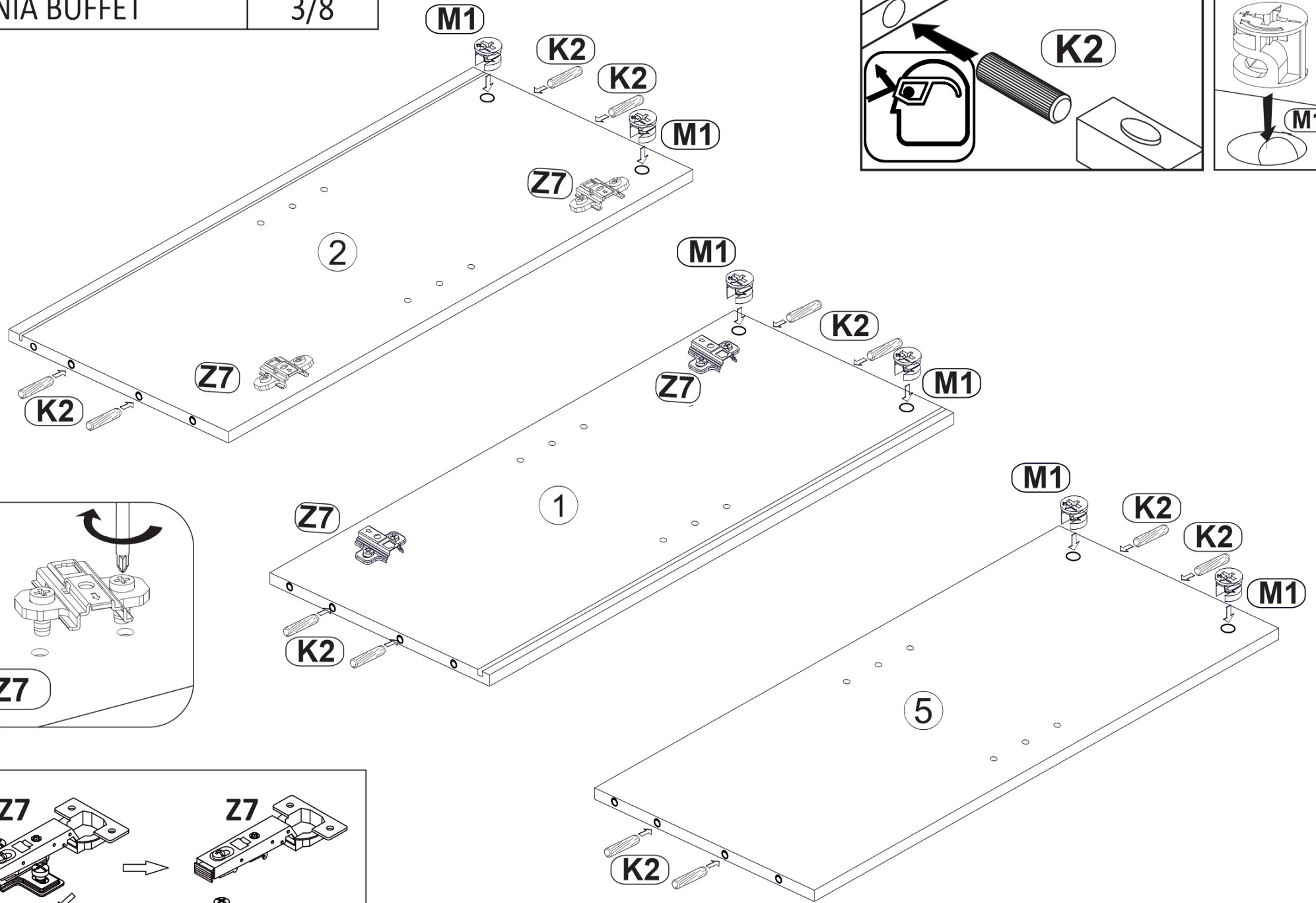
4

B5  x2
--

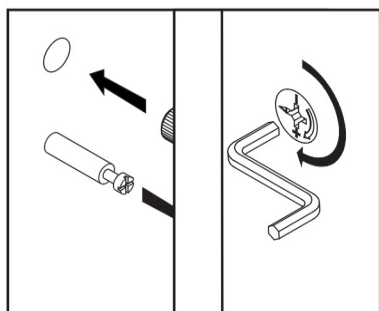
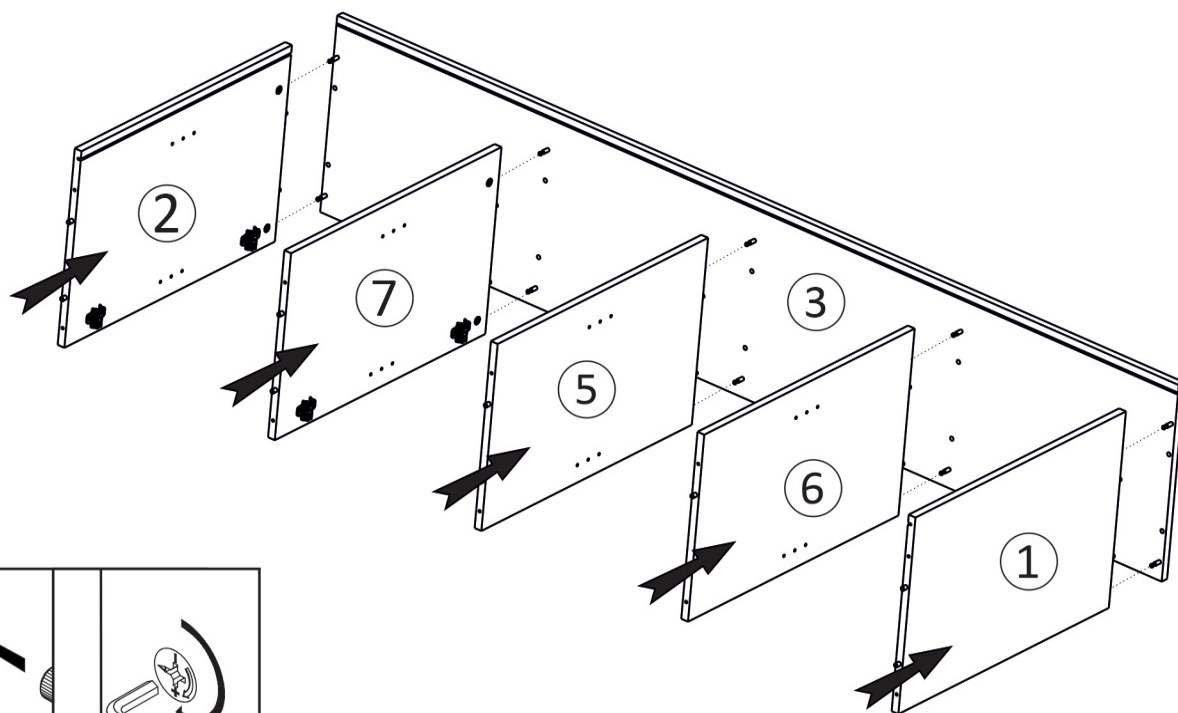
St1  x6



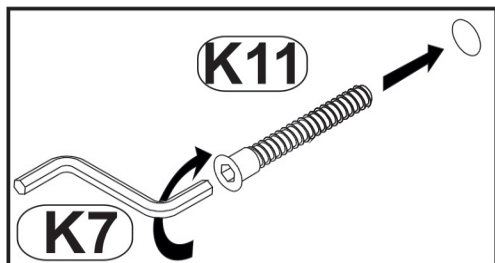
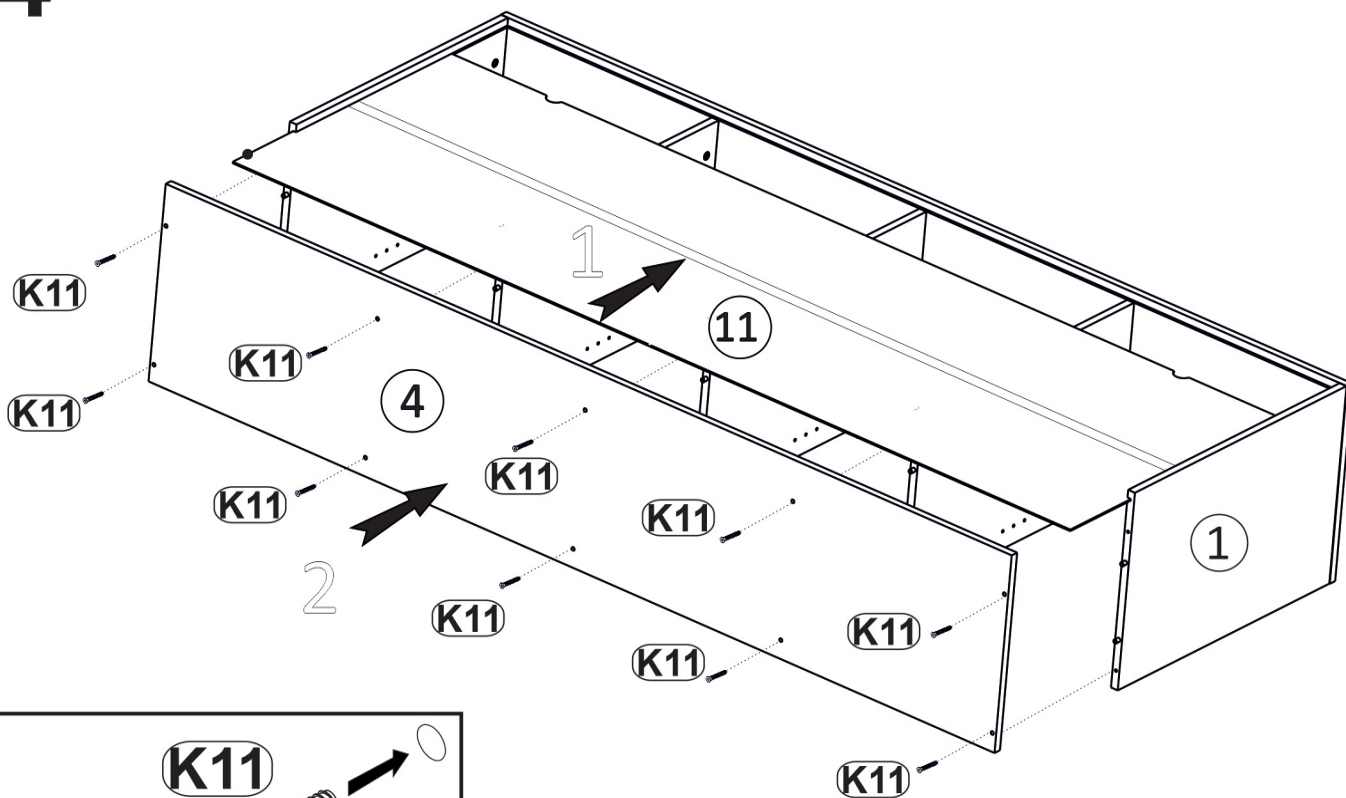
2



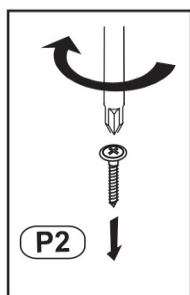
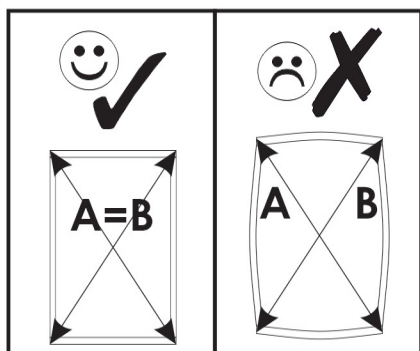
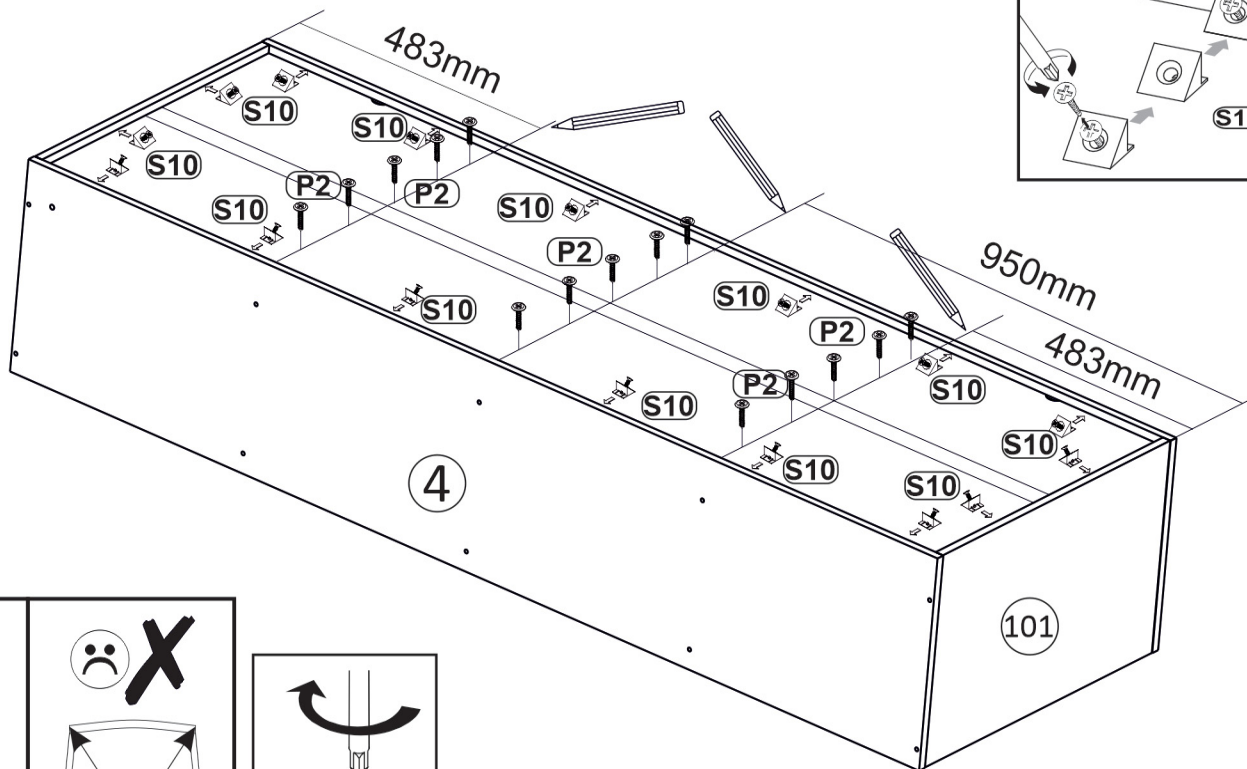
3



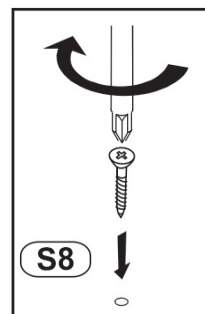
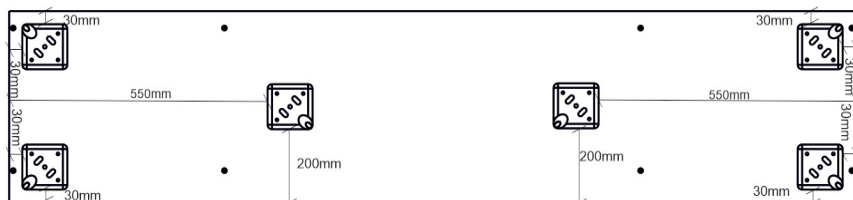
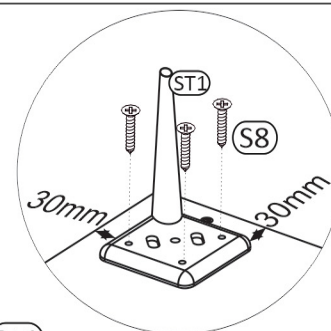
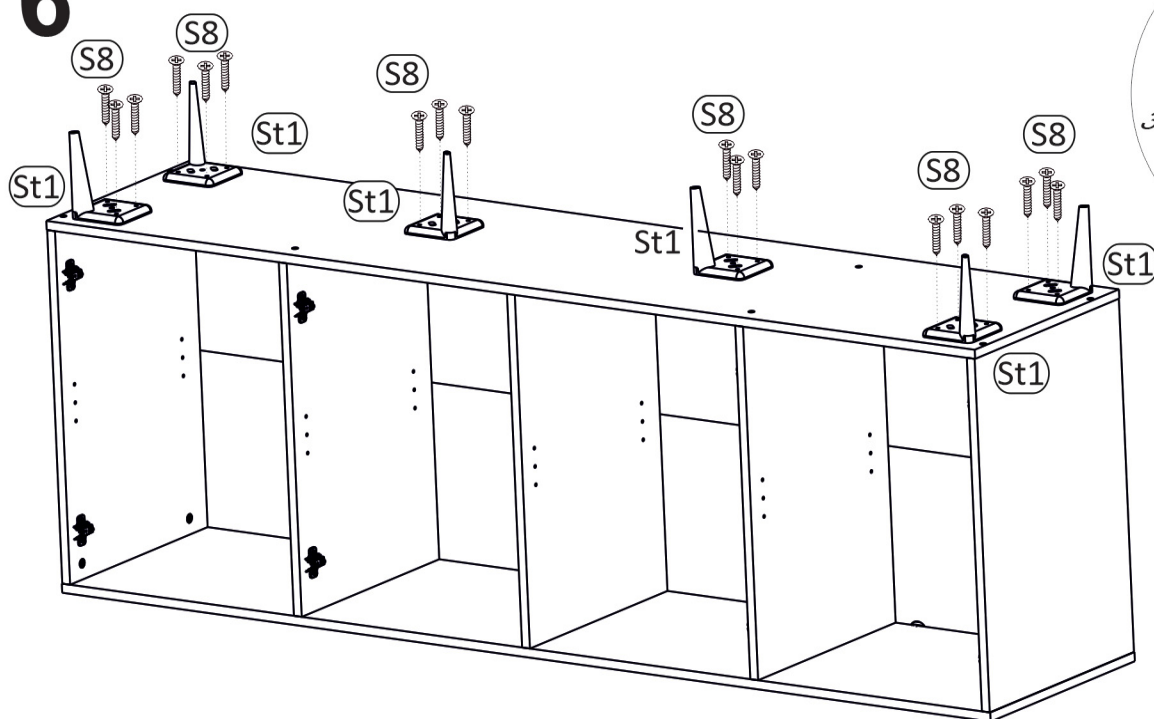
4



5

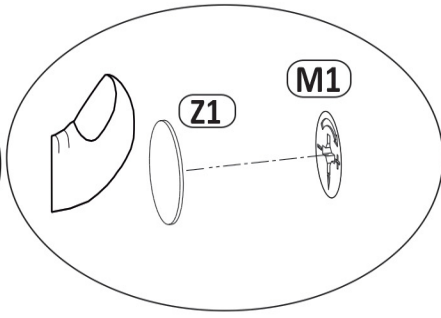
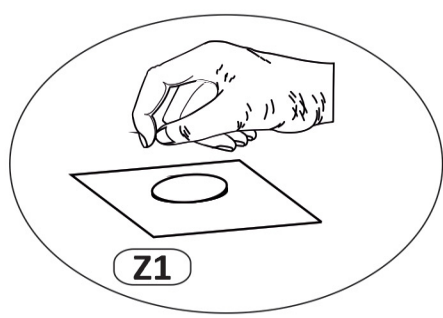
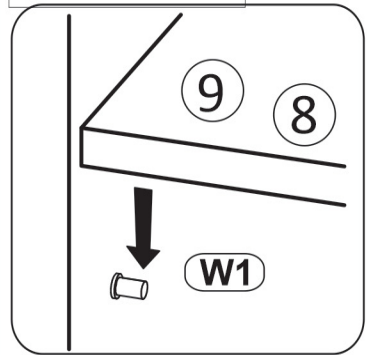
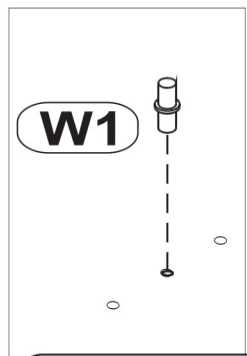
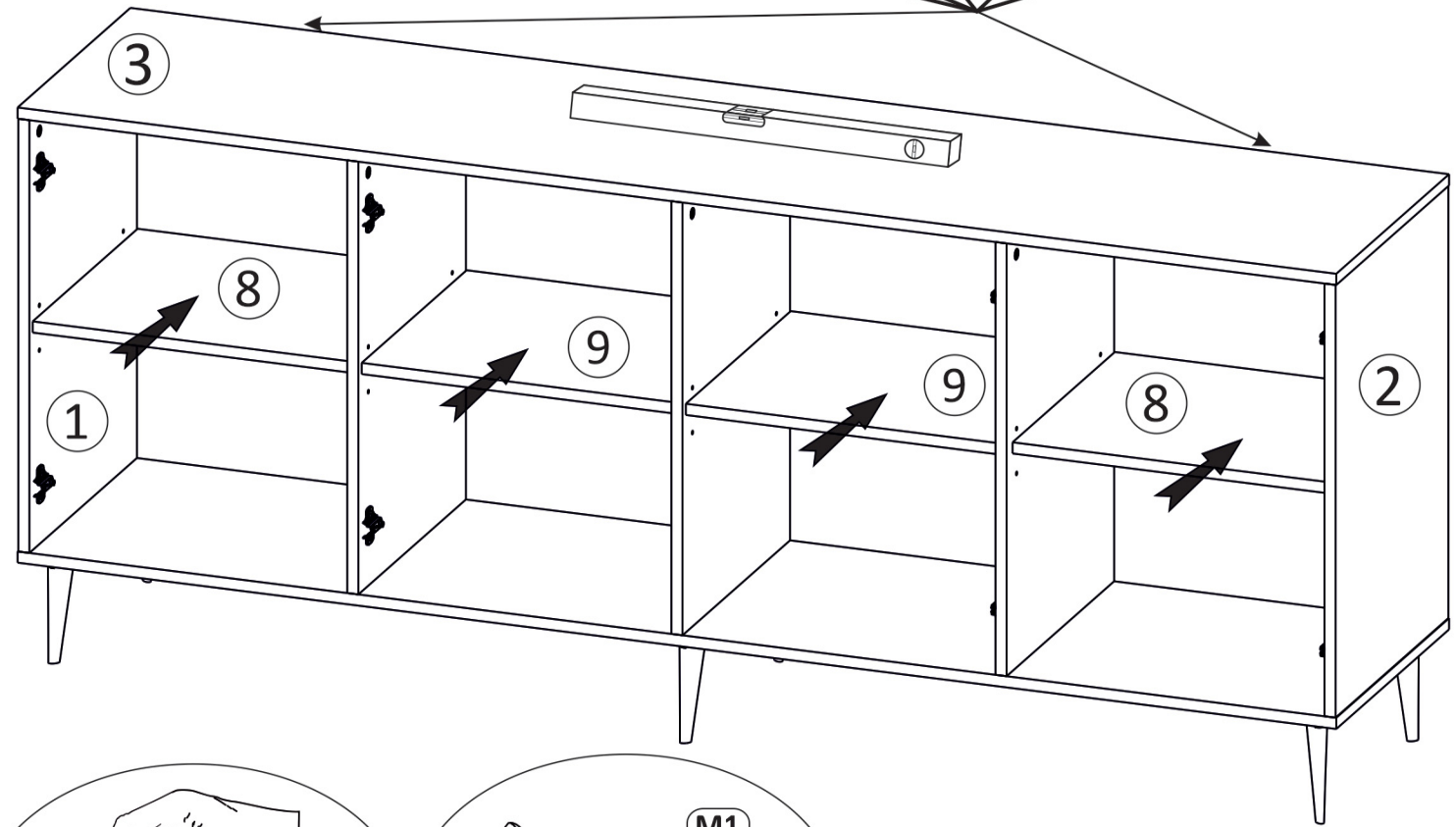
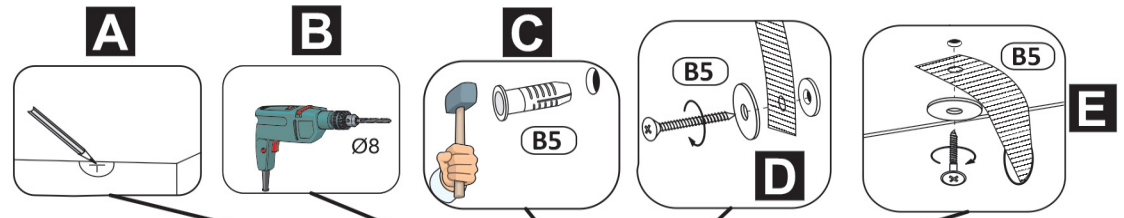


6

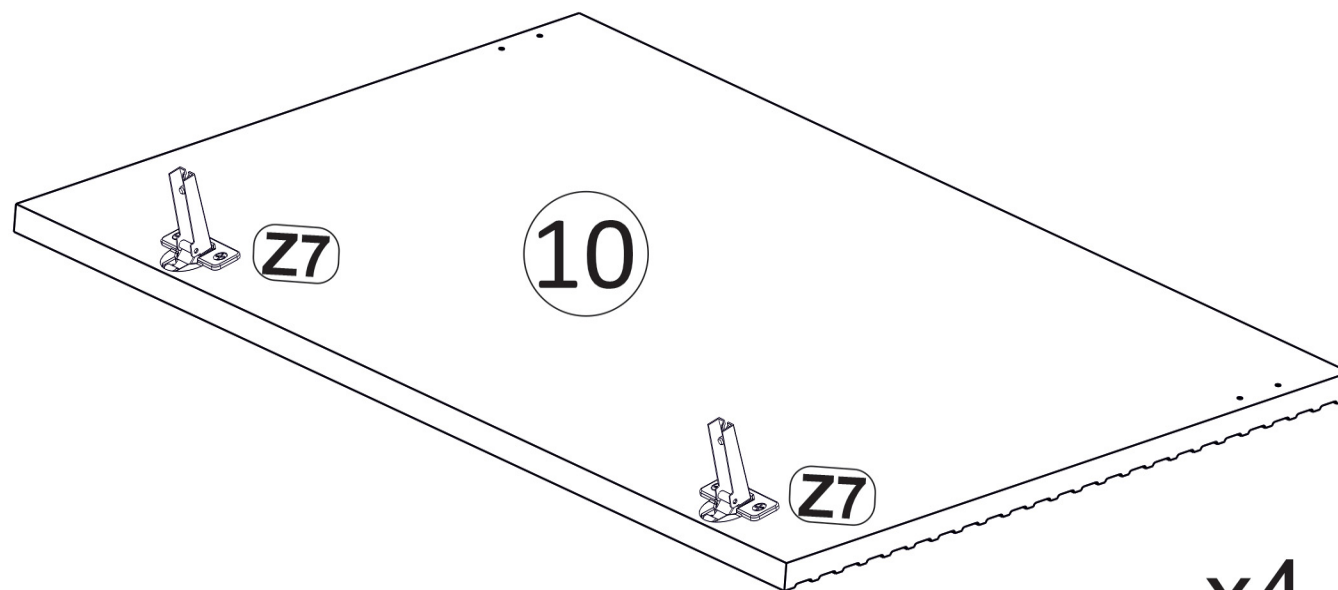


FRONT

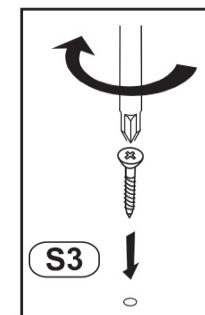
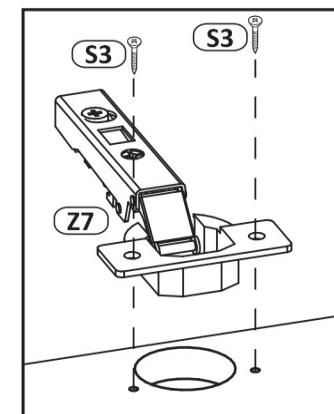
7



8



x4



9

