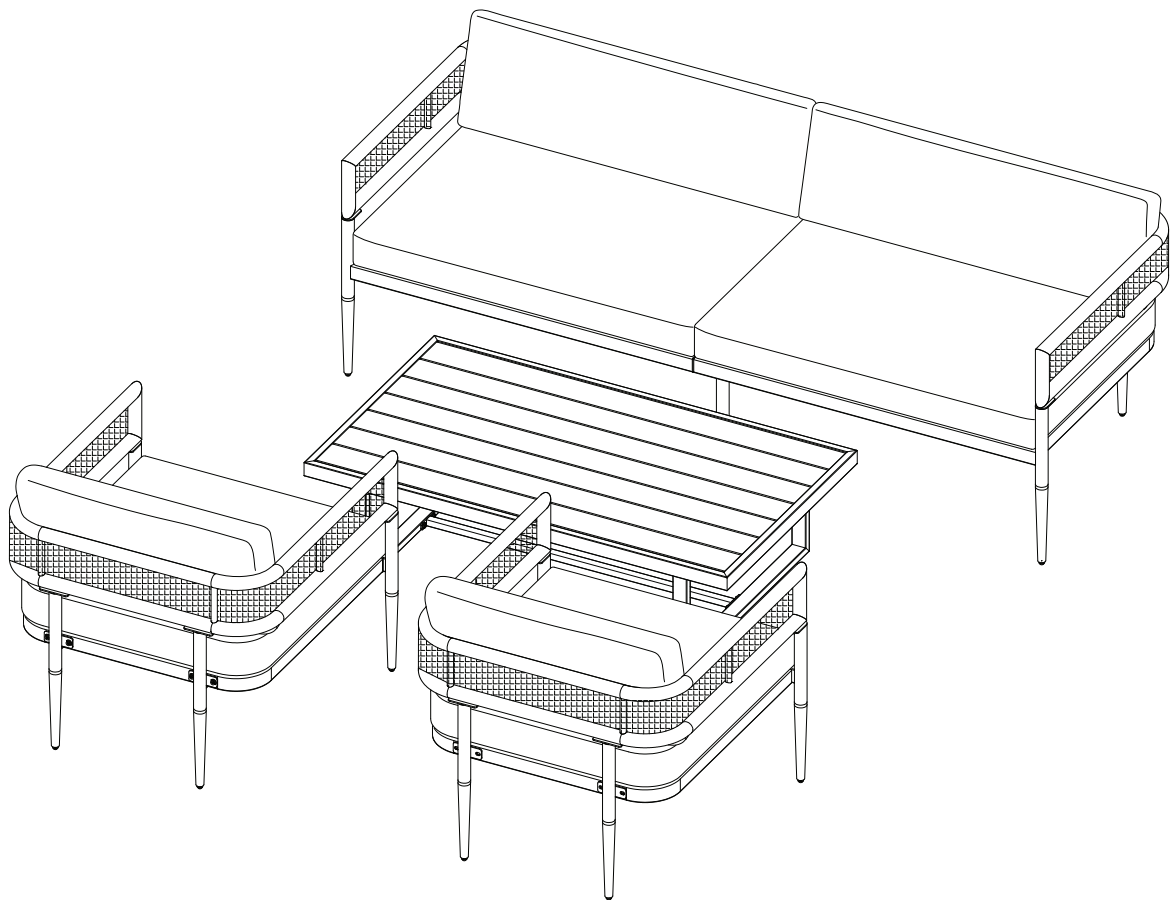
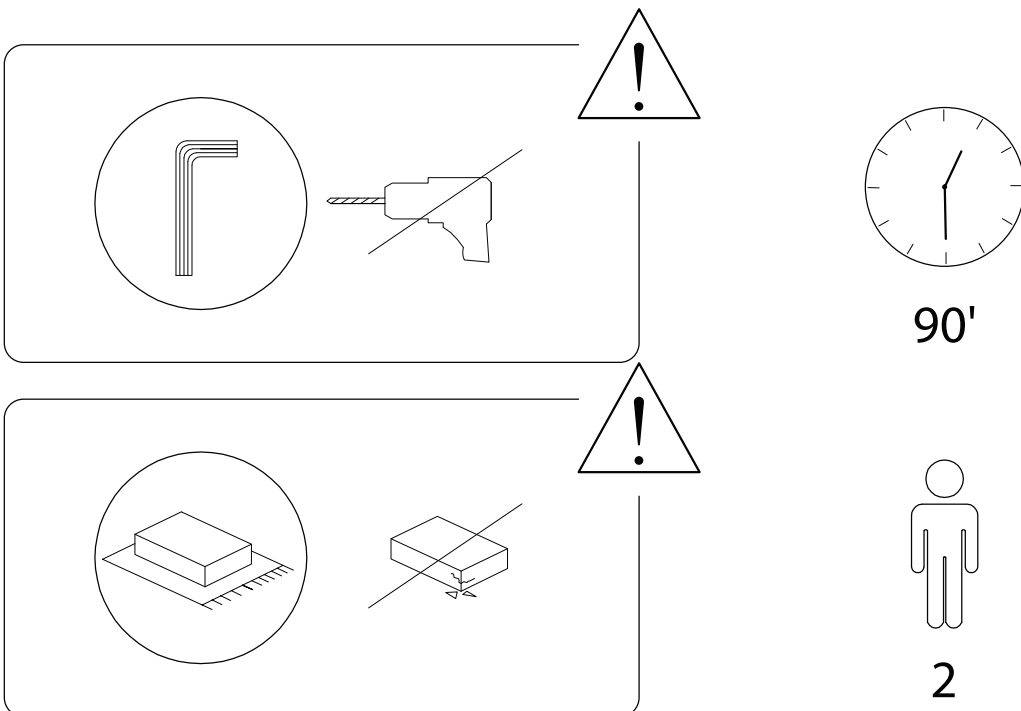
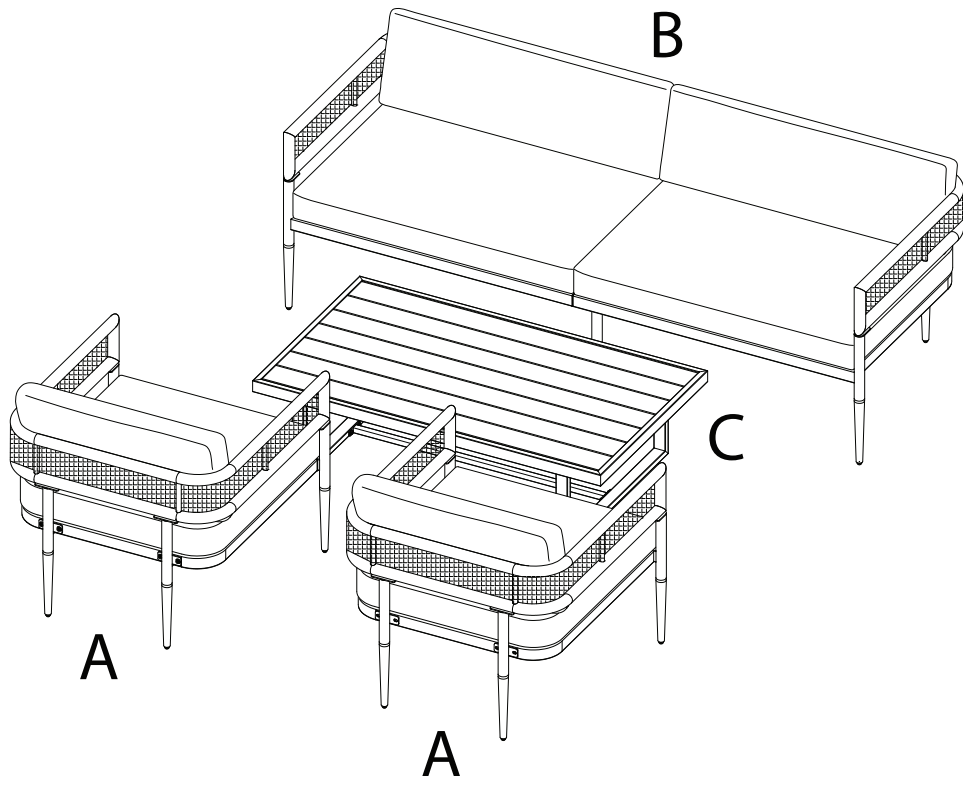
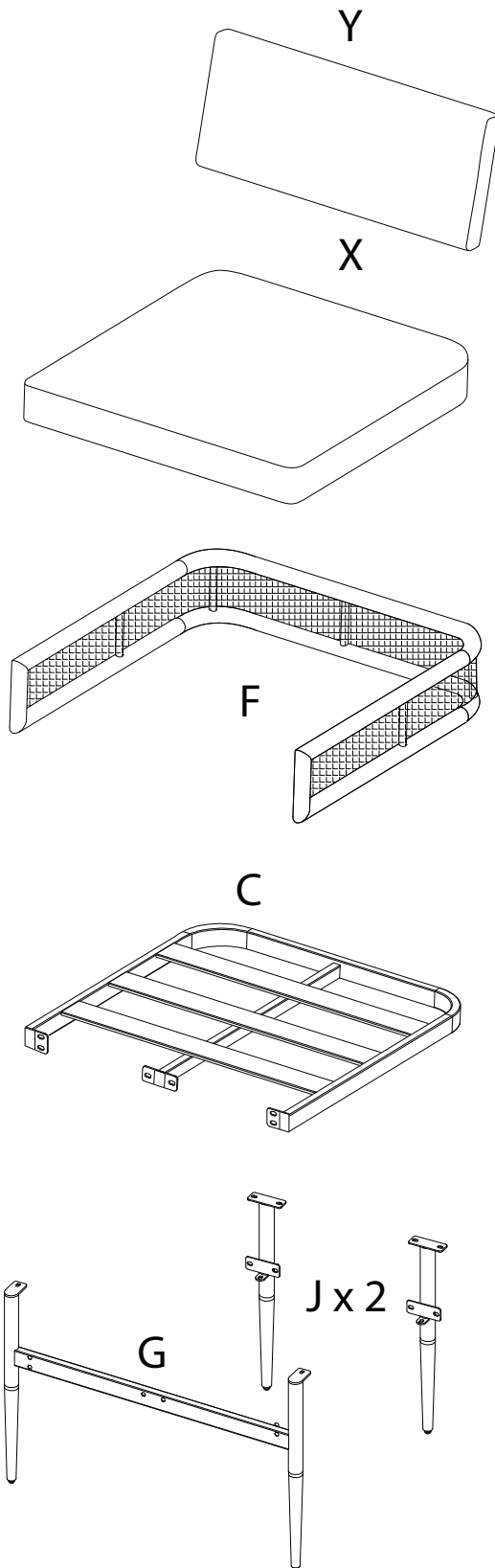


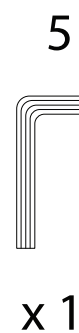
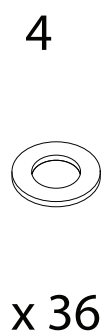
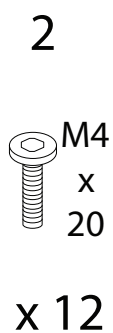
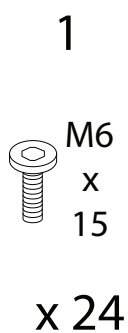
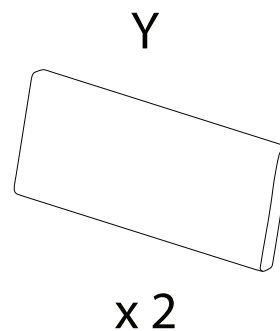
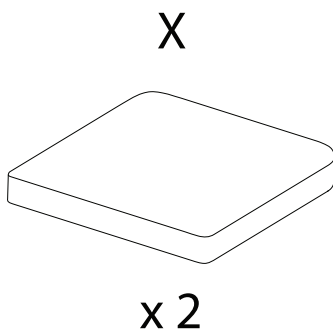
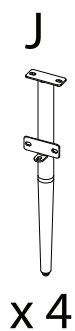
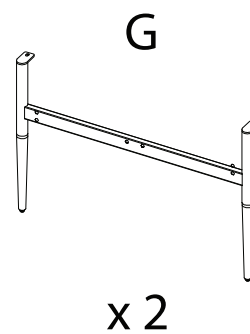
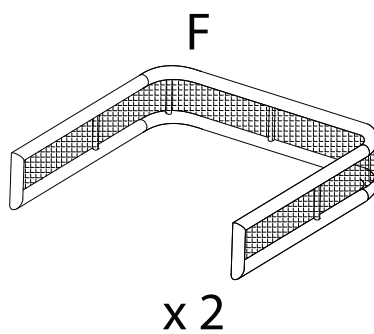
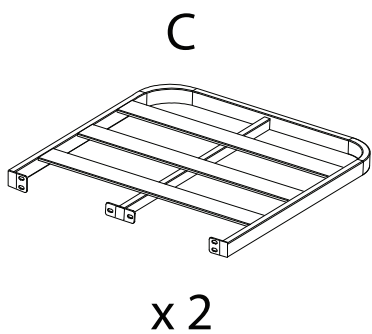
# SERLA



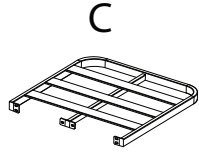
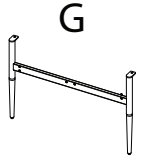
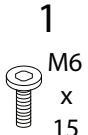
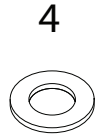
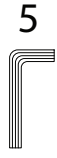


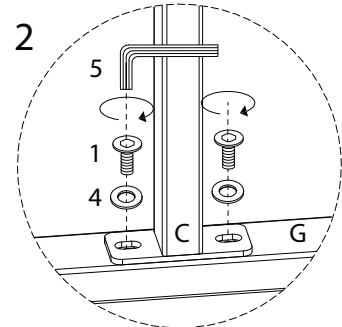
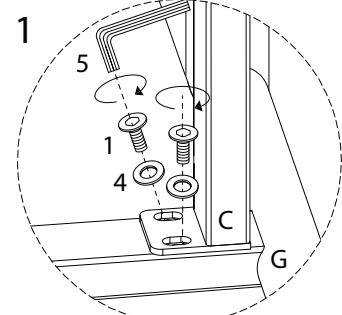
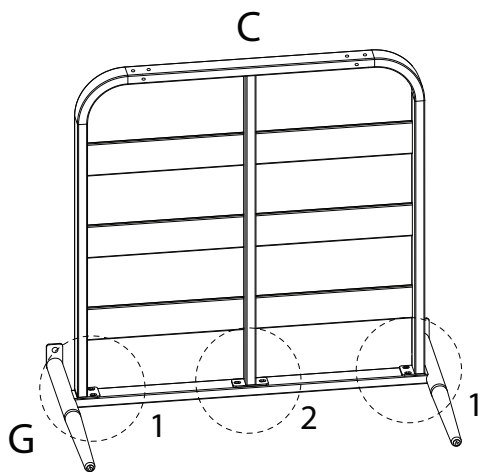
A x 2




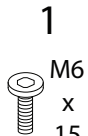
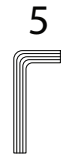


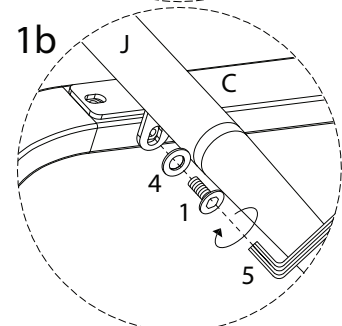
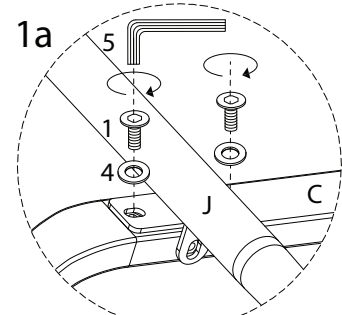
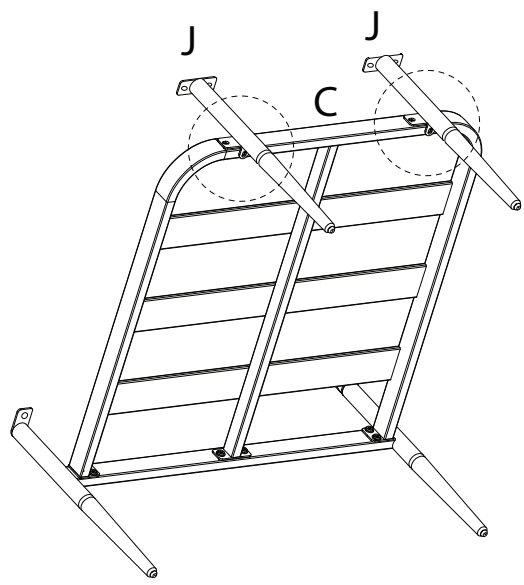
1 x 2

 C x 1	 G x 1	 1 M6 x 15 x 6	 4 x 6	 5 x 1
---	---	--	---	---

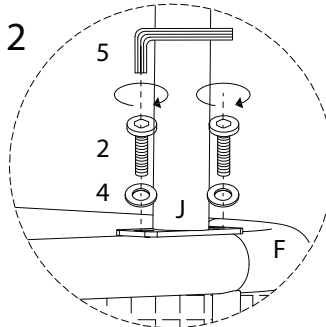
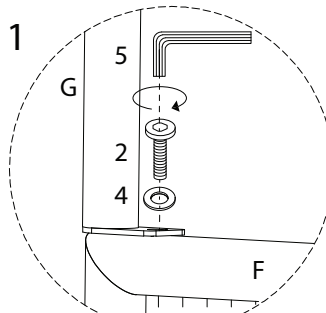
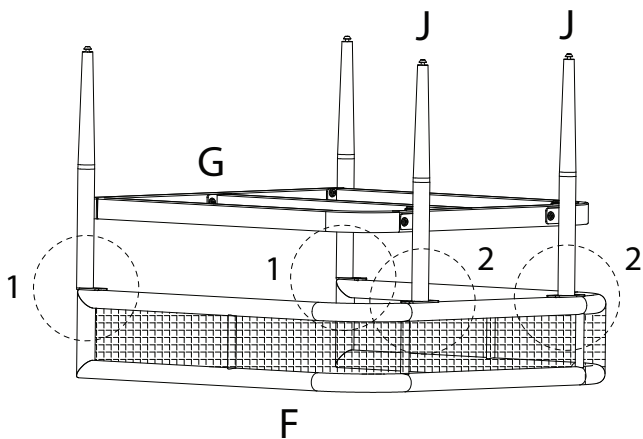
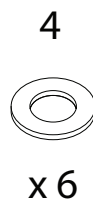
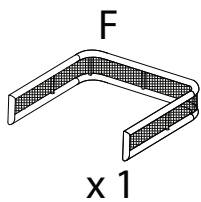


2 x 2

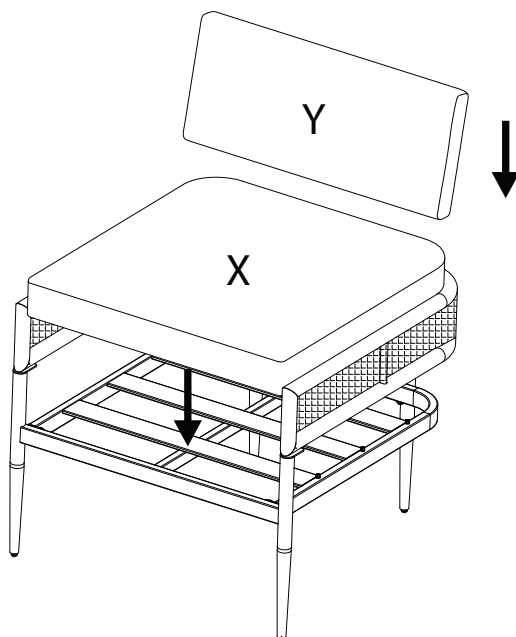
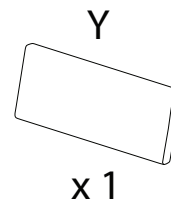
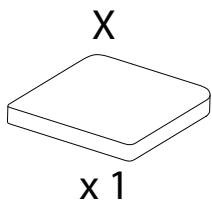
 J x 2	 1 M6 x 15 x 6	 4 x 6	 5 x 1
---	--	--	---



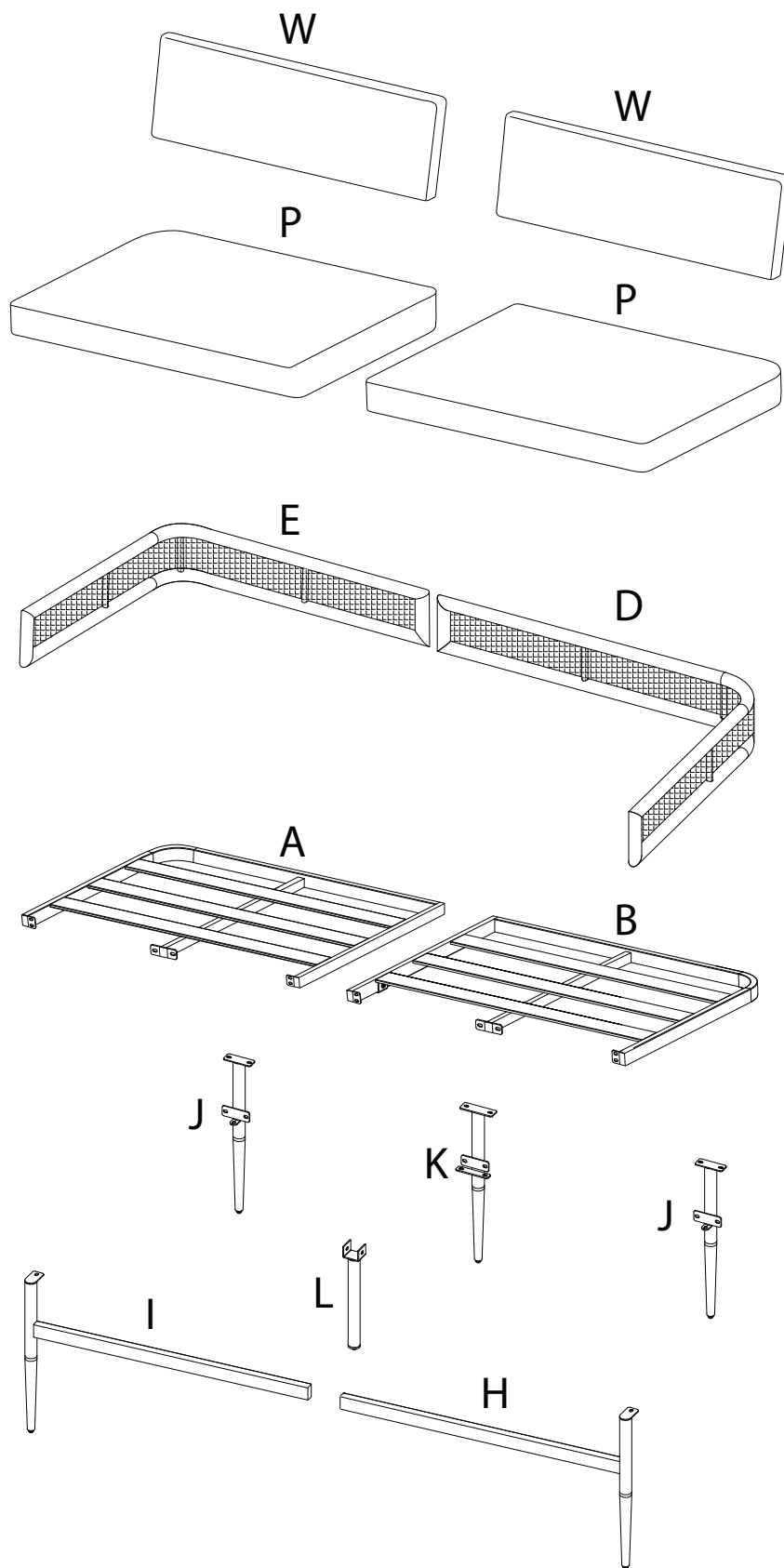
3 x 2



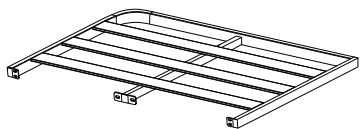
4 x 2



# B

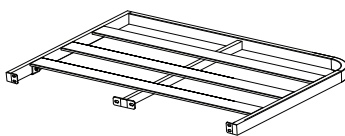


A



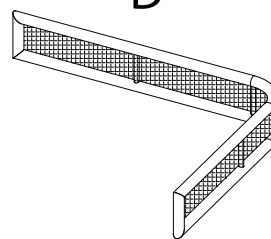
x 1

B



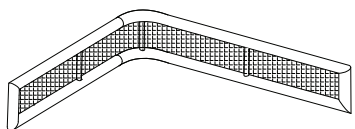
x 1

D



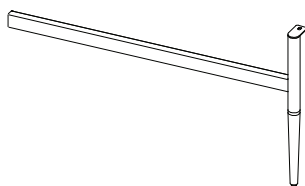
x 1

E



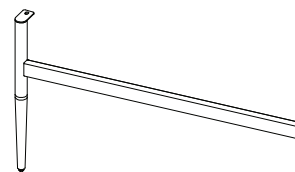
x 1

H



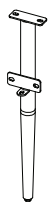
x 1

I



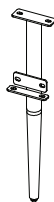
x 1

J



x 2

K



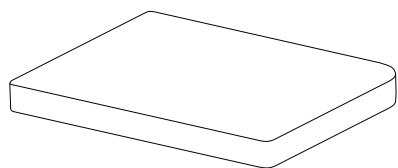
x 1

L



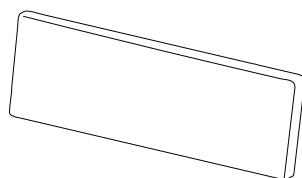
x 1

P



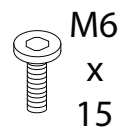
x 2

W



x 2

1



x 14

2



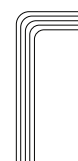
x 18

4



x 32

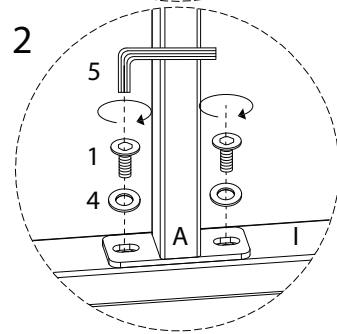
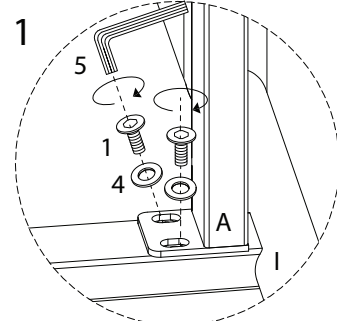
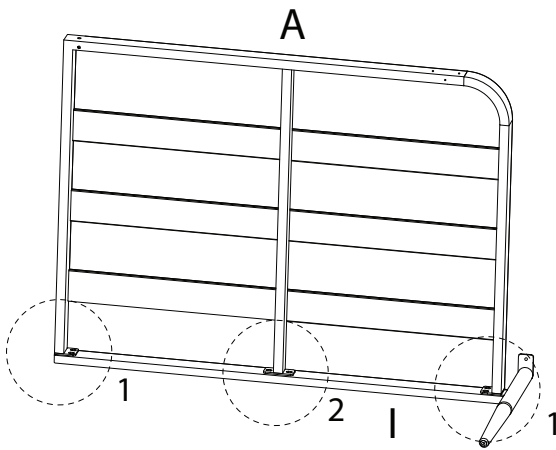
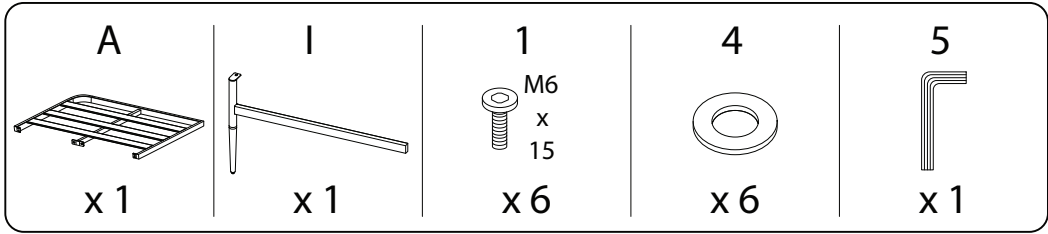
5



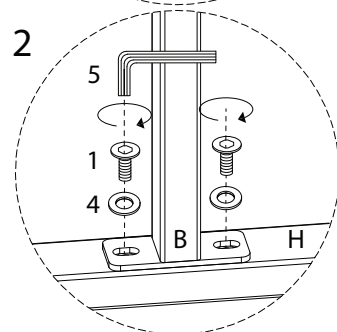
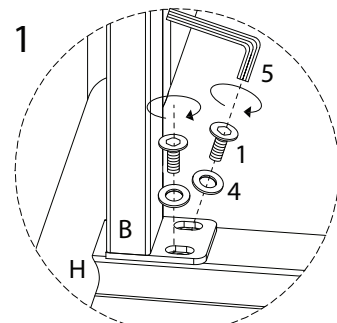
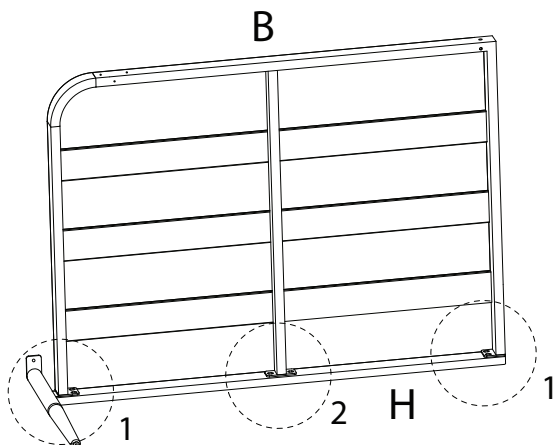
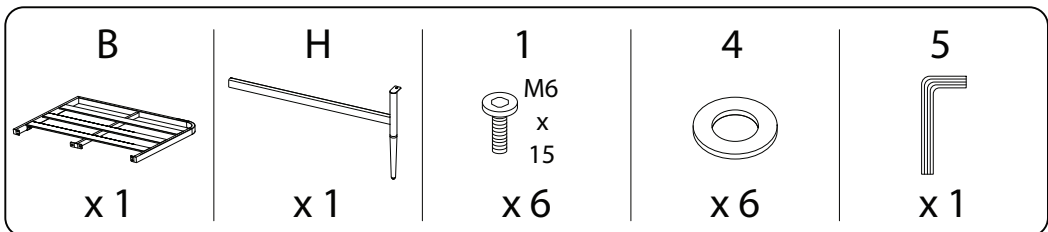
x 1



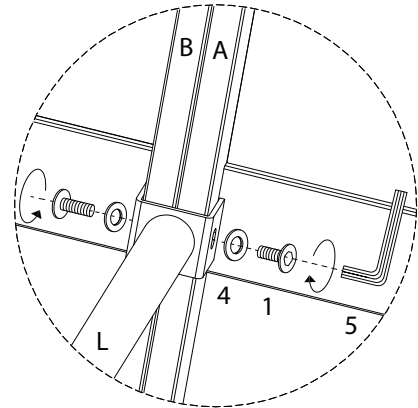
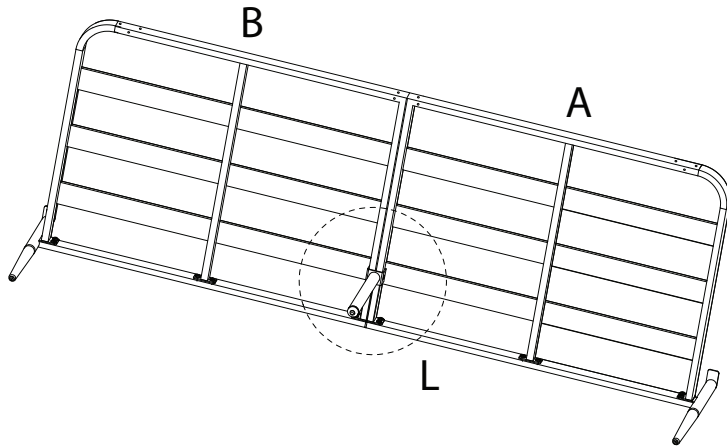
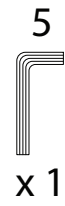
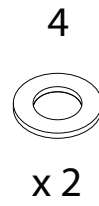
1



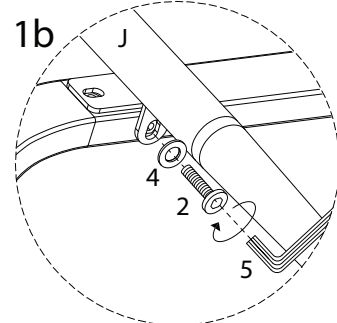
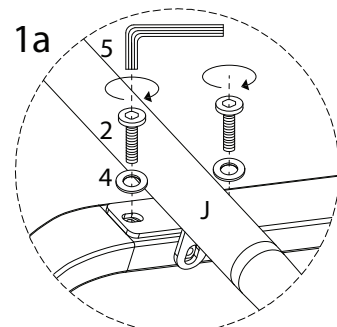
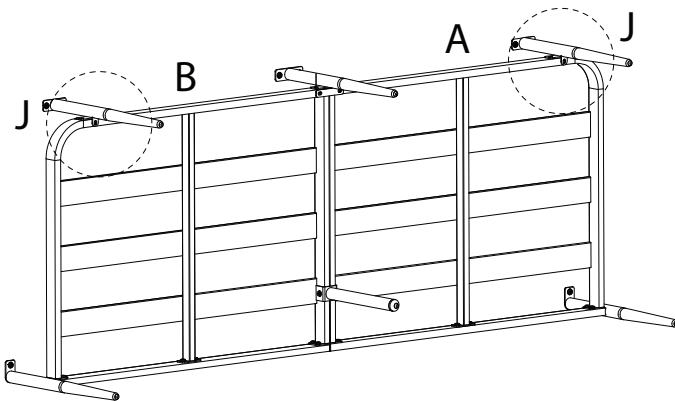
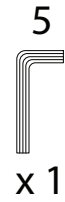
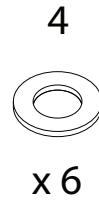
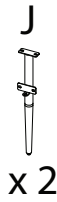
2



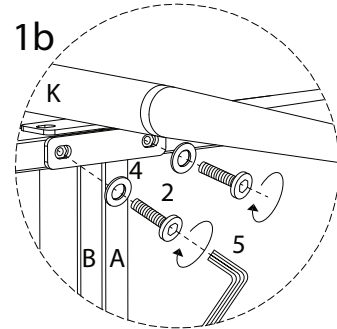
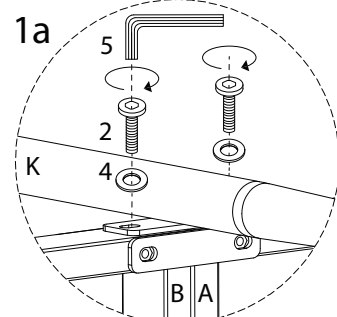
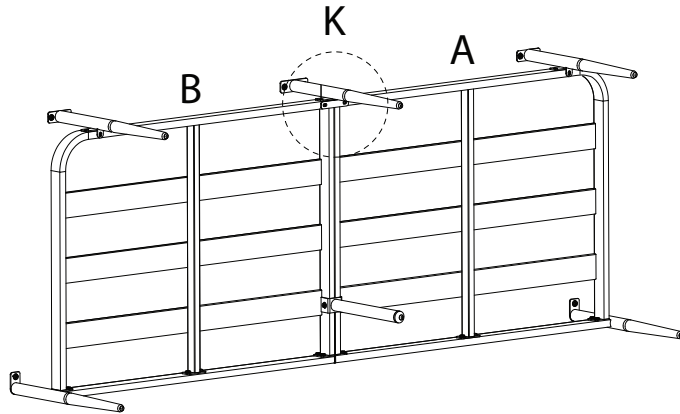
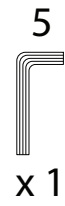
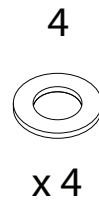
3



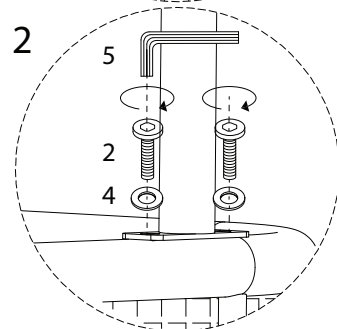
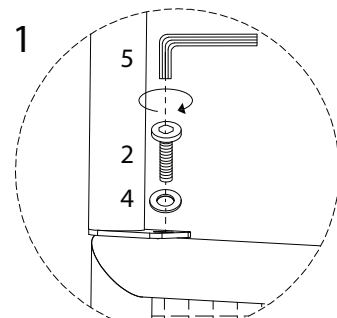
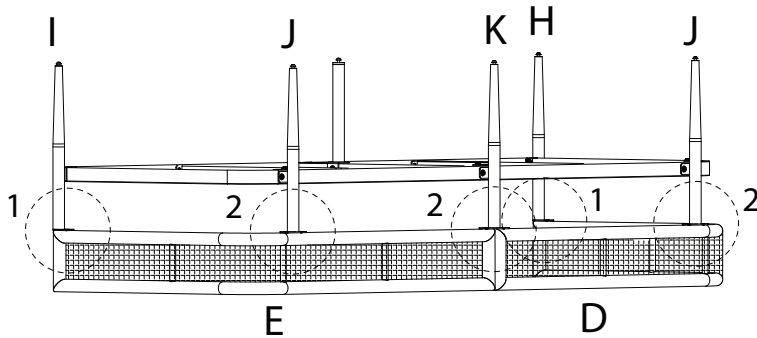
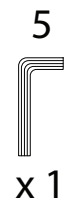
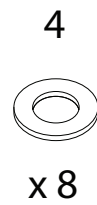
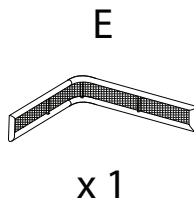
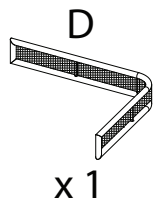
4



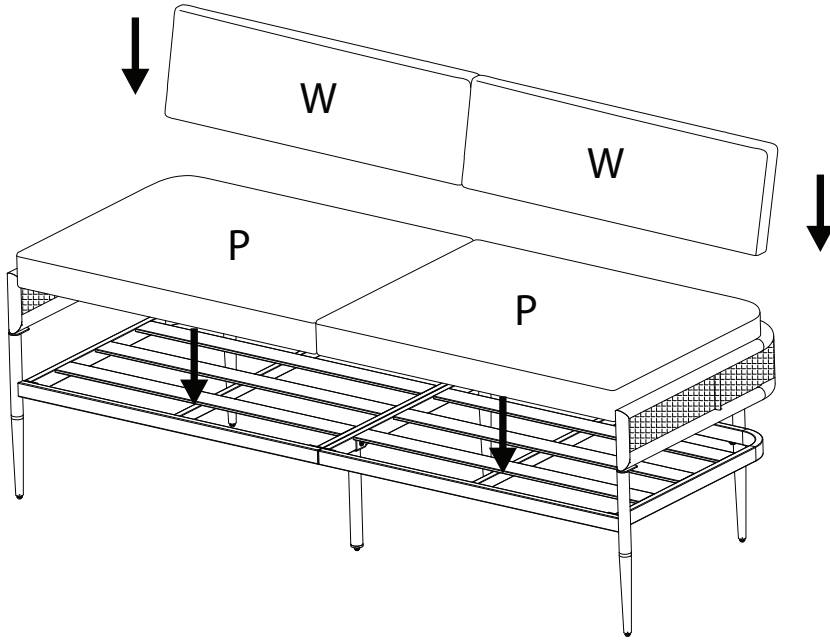
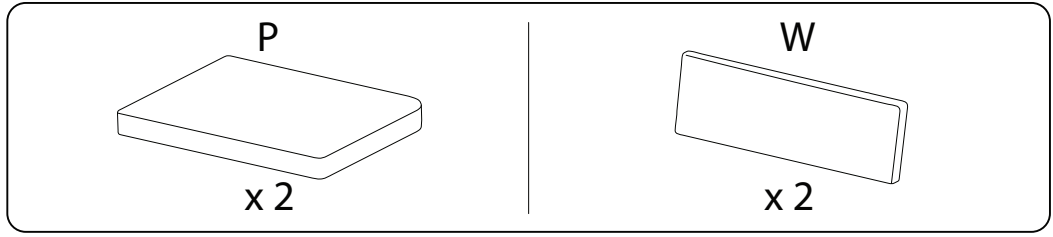
5



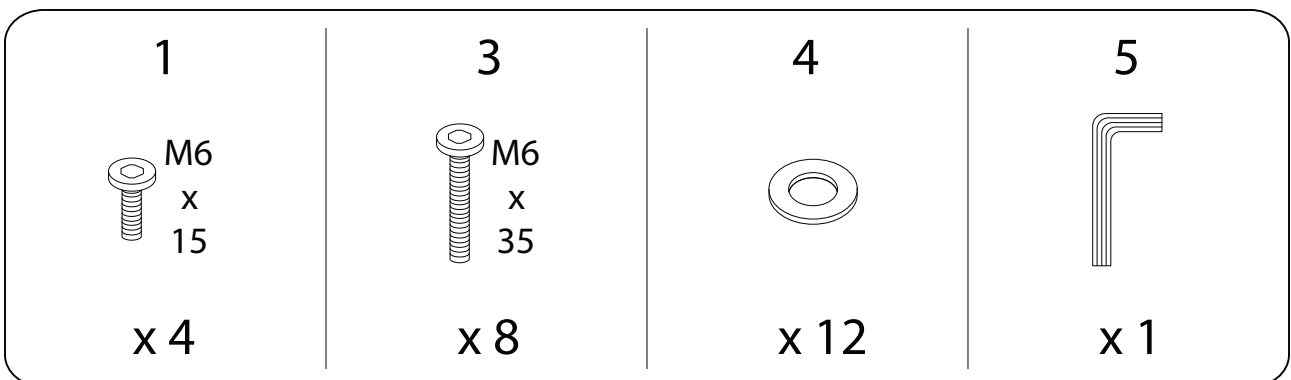
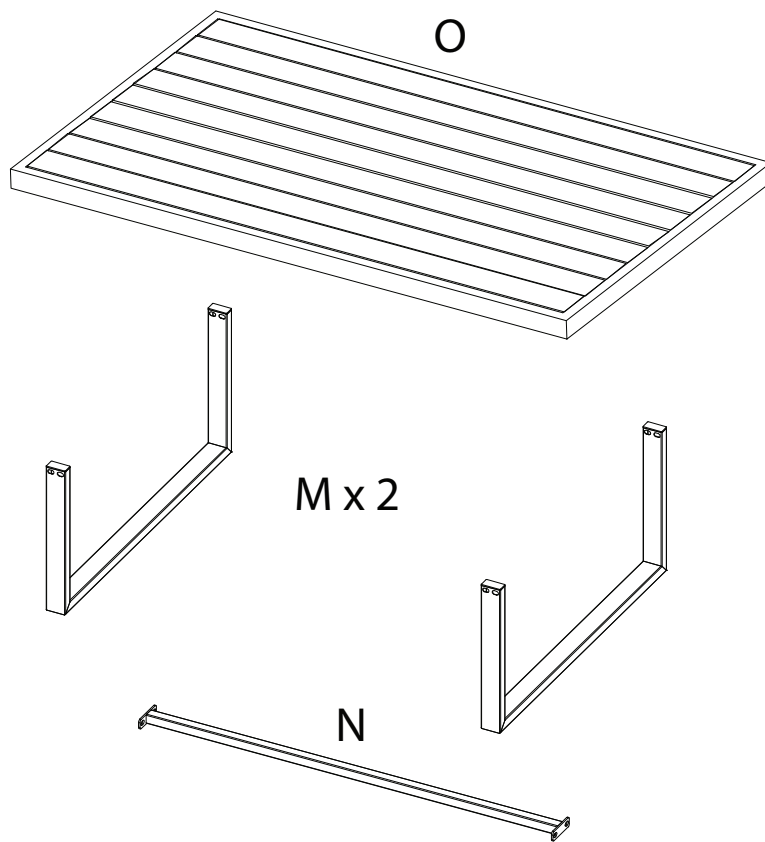
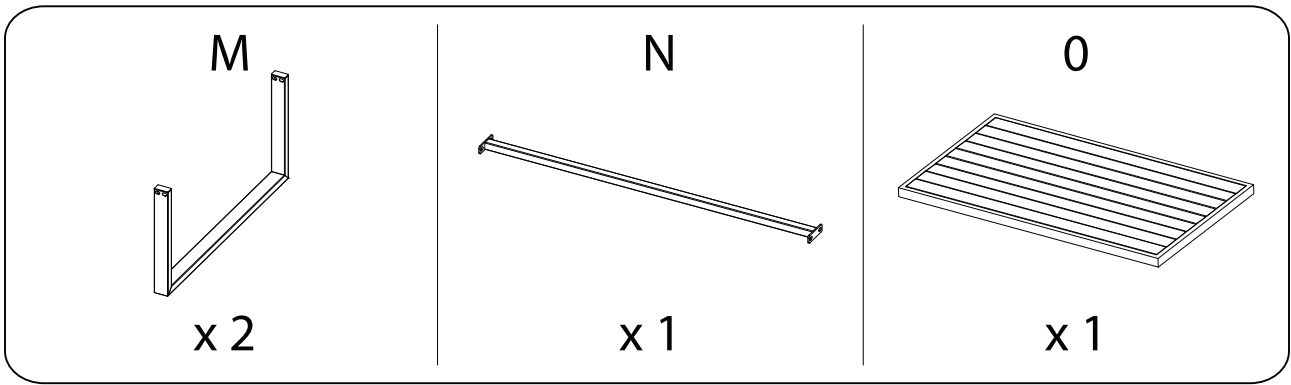
6



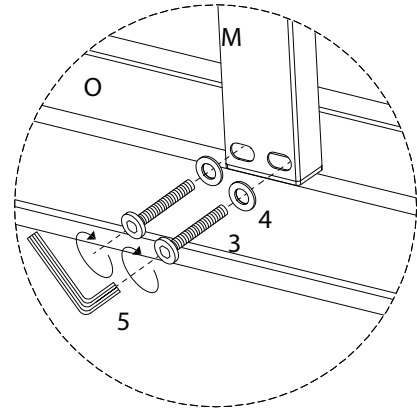
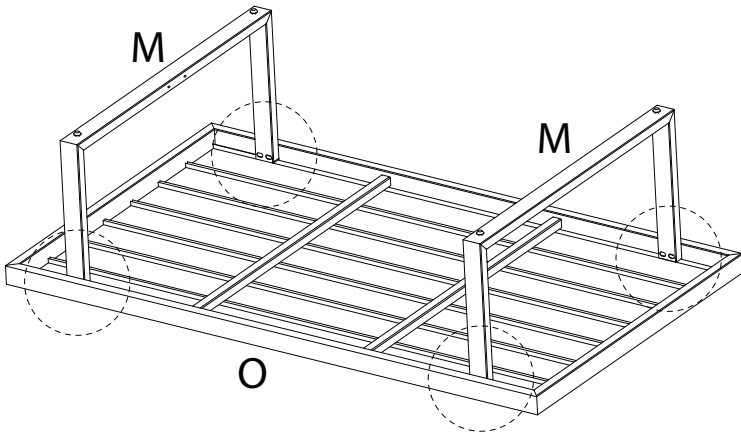
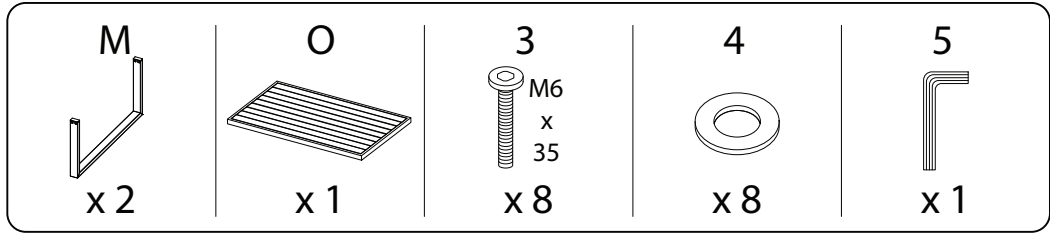
7



# C



1



2

