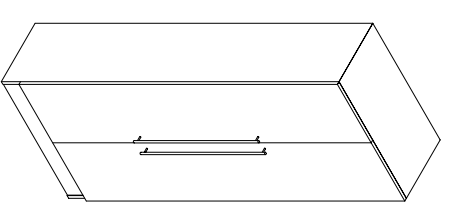
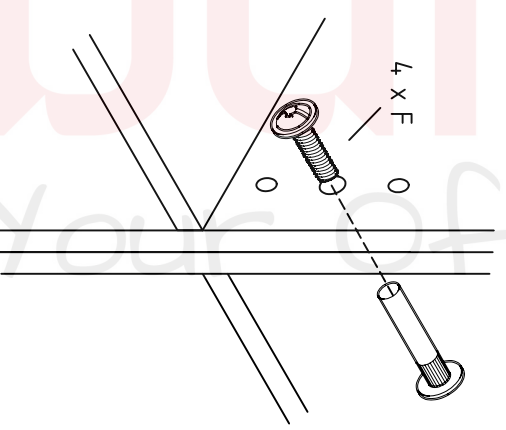
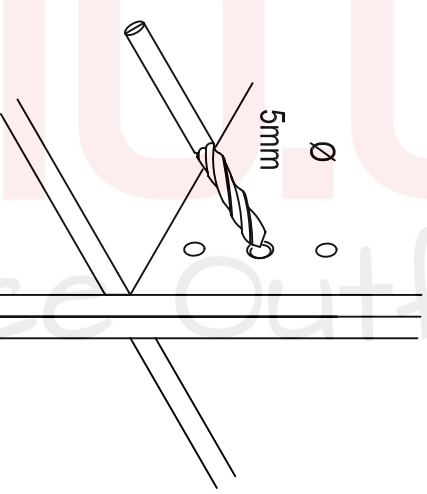
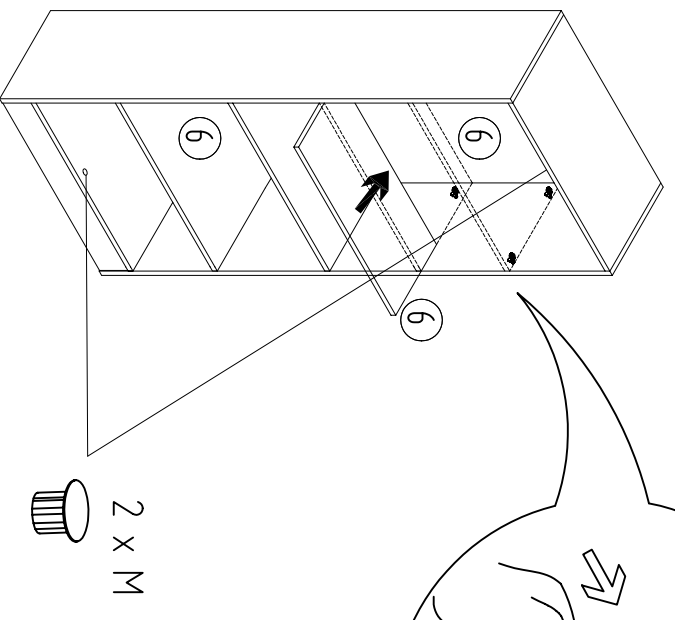
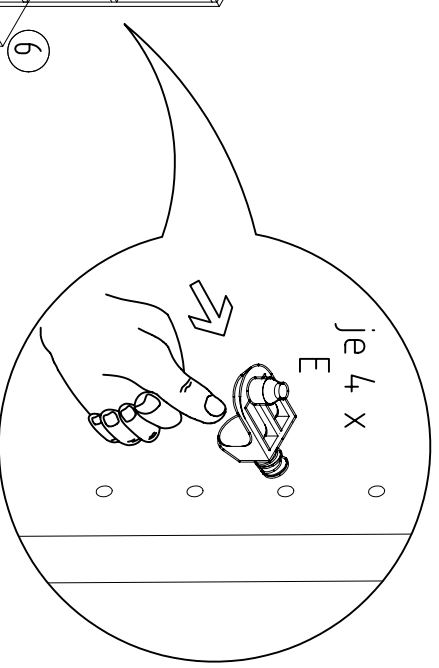
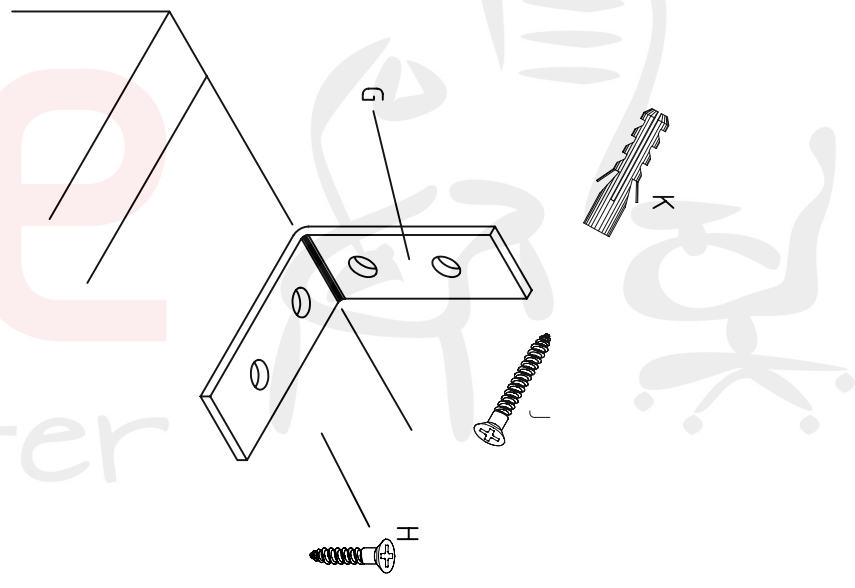
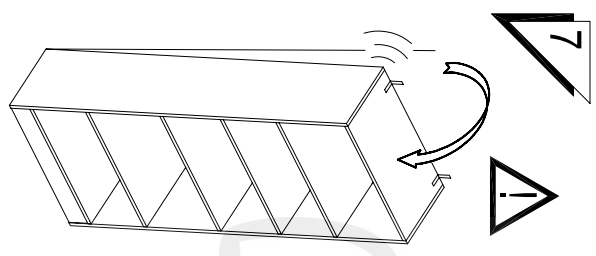
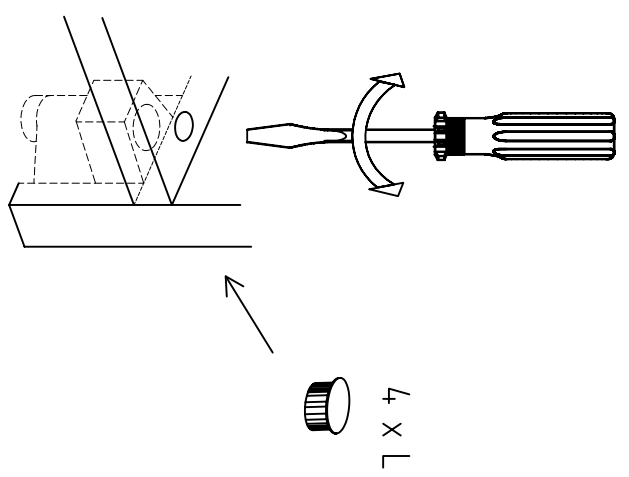
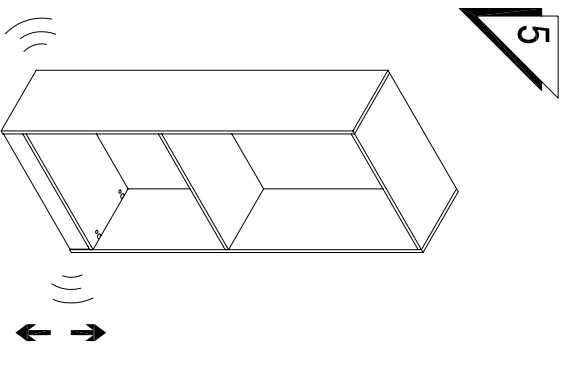
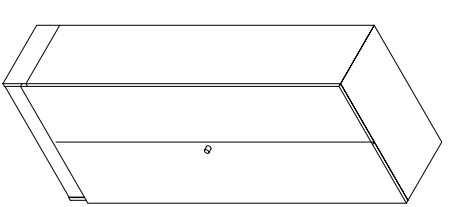


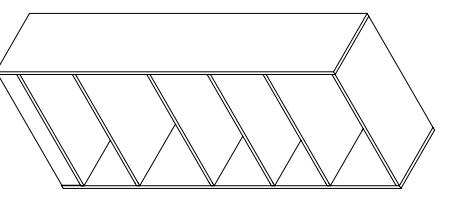
Montageanleitung :
 Korpus – Regalserie M6.../M7.../M8...
 Assembly instruction : corpus - shelves M6.../M7.../M8... series



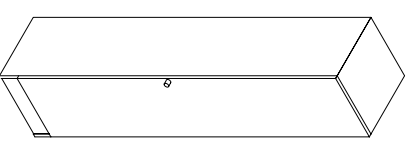
M 7100



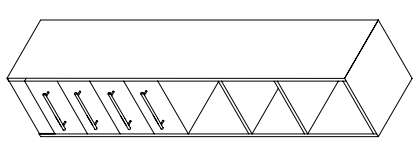
M 6100
(M 8100)



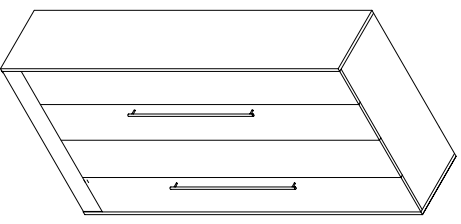
M 6000



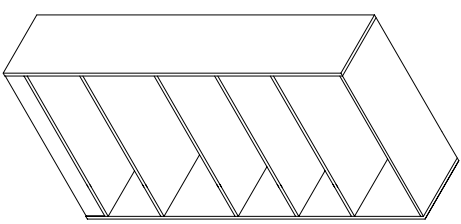
M 6150



M 7600
(M 8600)



M 7400
(M 6900)
(M 8900)



M 6400

Beschlagbeutel 1 : / fittings 1

4 x A	12 x B	12 x C	12 x D	12 x E
	(4.0 x 16 mm)		(3.5 x 25 mm)	

Beschlagbeutel 2 : / fittings 2

4 x F	2 x G	2 x H	2 x J
		(3.5 x 20 mm)	
2 x K	4 x L	2 x M	
(4.5 x 4.0 mm)			

