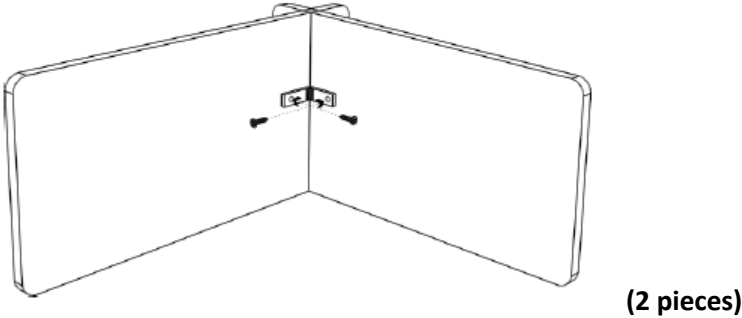


1.STEP

Assemble the pieces as shown in the figure

If you want to fix it, you can use the L bracket.



2.STEP

Place the 2 joined pieces on the plane as desired and place the glass on top

