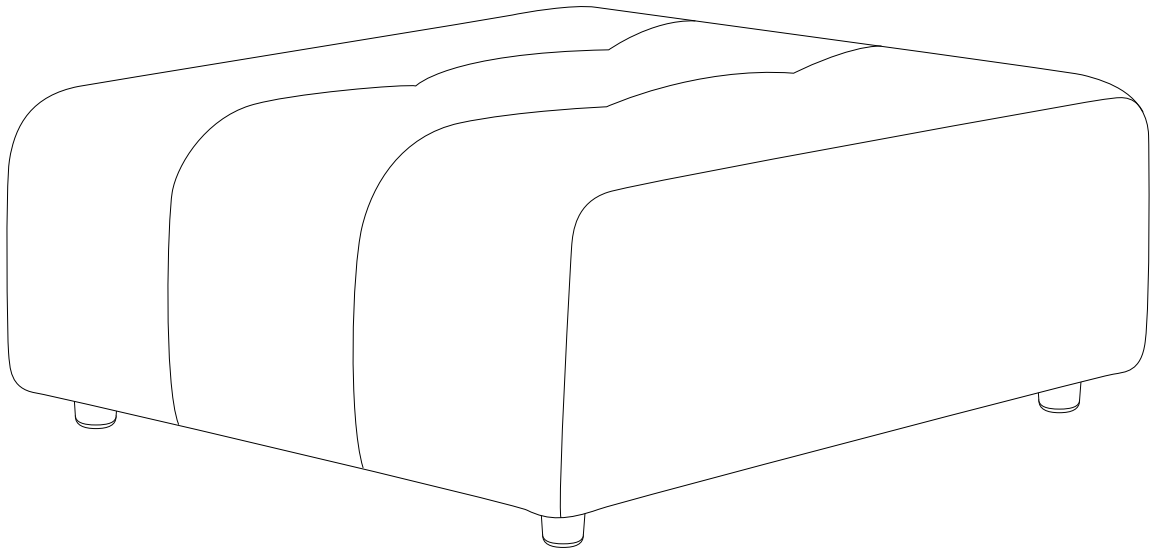


INNVIK



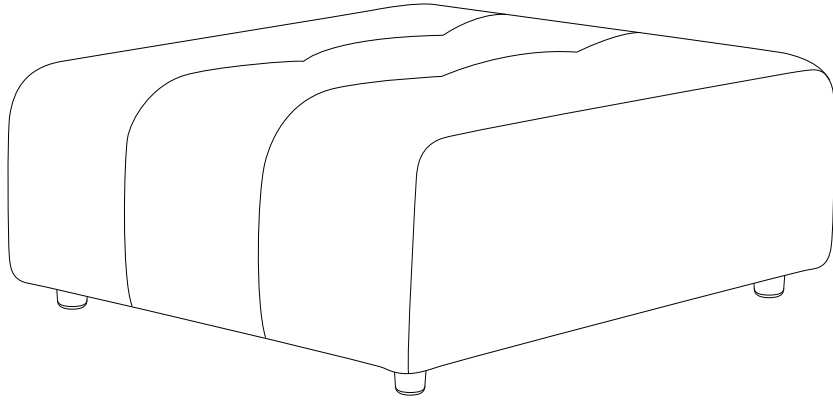
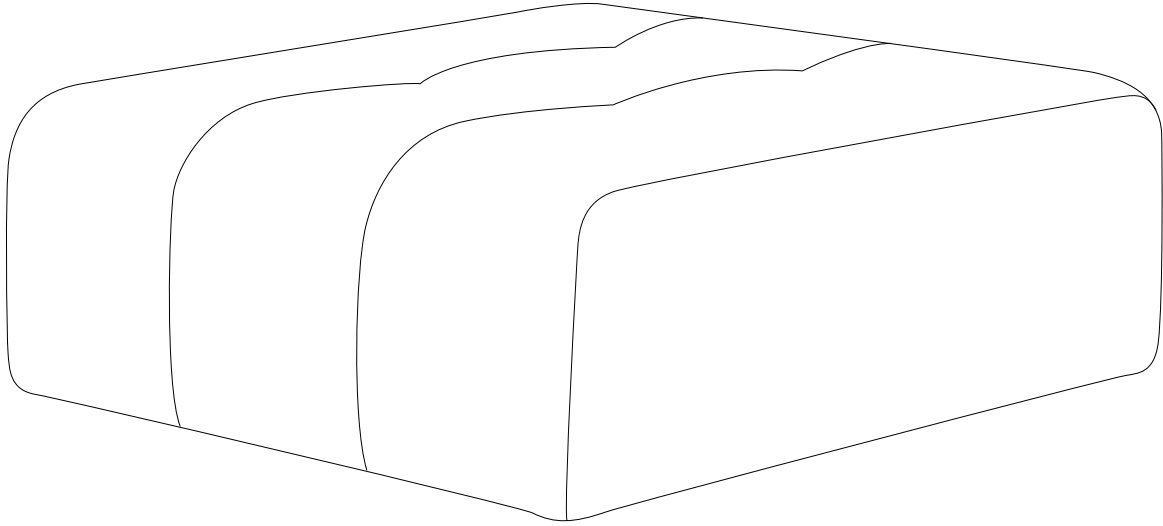


Diagram illustrating assembly instructions and warnings:

- Warning 1:** A crossed-out power drill icon indicates that a power drill should not be used for assembly.
- Warning 2:** A crossed-out icon of a block being drilled from the bottom indicates that drilling should not be performed on the underside of the ottoman.
- Warning 3:** A clock icon with a circular arrow indicates a 5-minute assembly time.
- Warning 4:** A person icon with the number 1 below it indicates that one person is required for assembly.

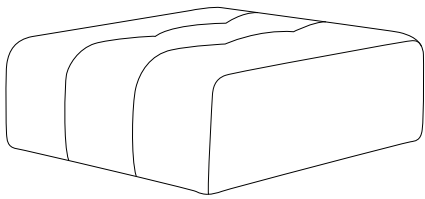
A



B x 4

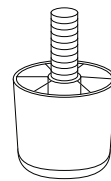


A



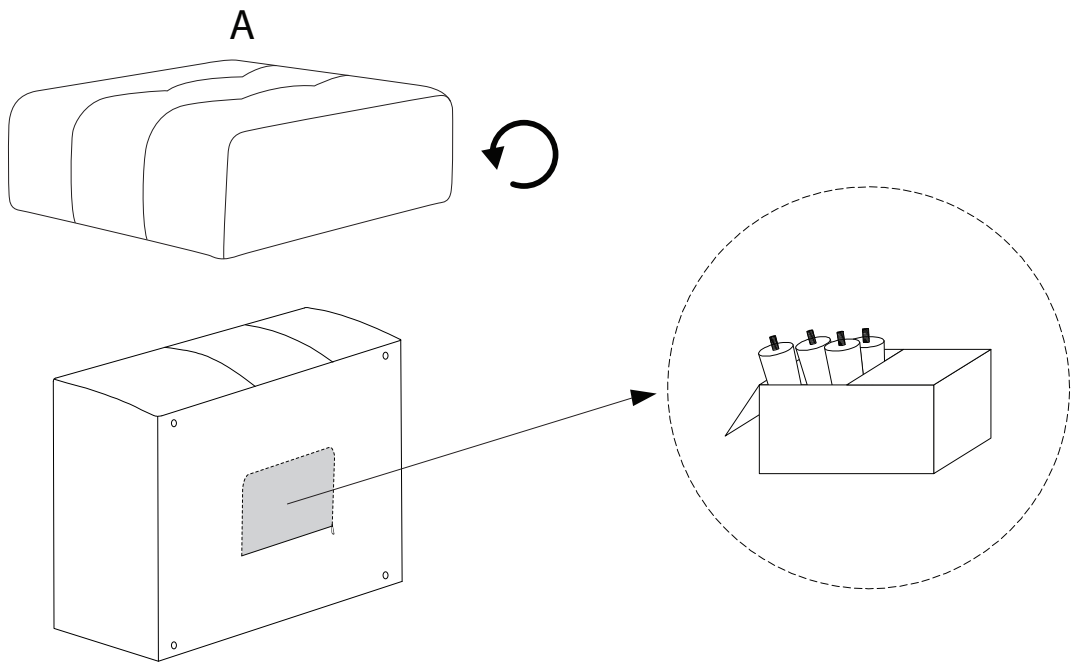
x 1

B



x 4

!



1

