

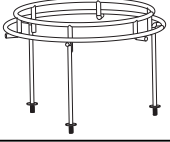
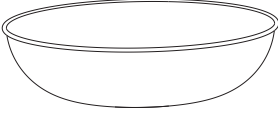

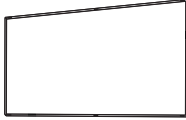


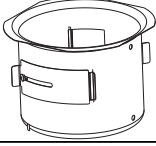
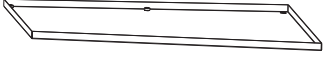

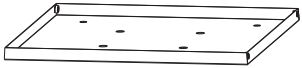










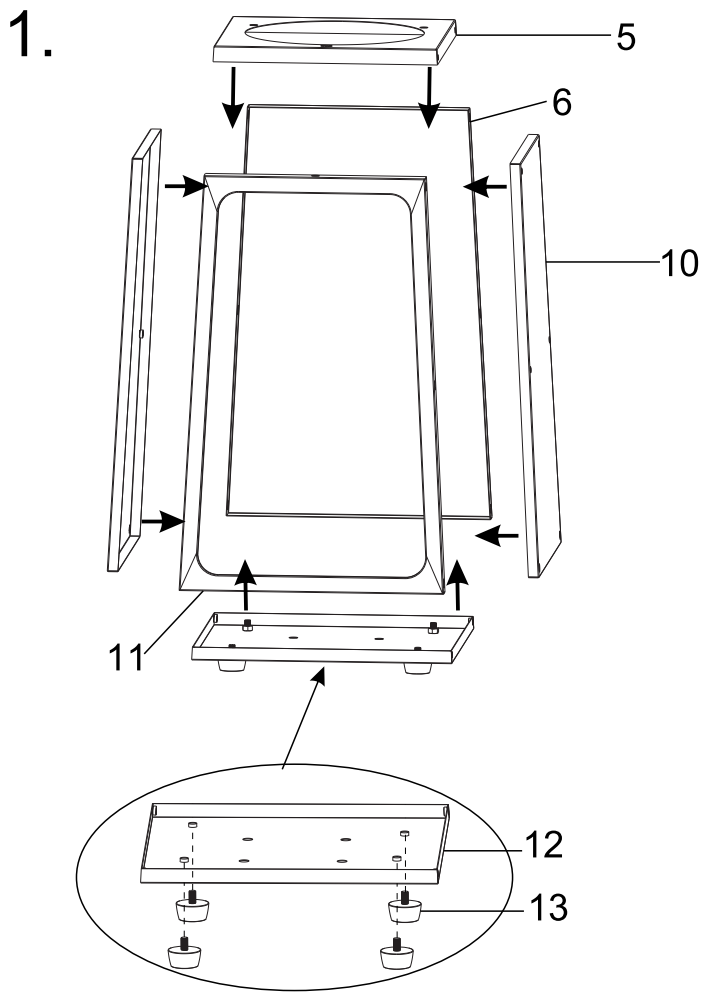


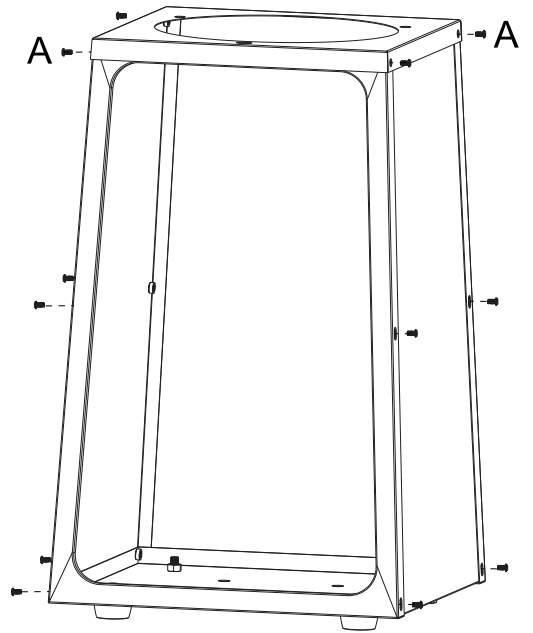
1		x1
2		x1
3		x1
4		x1
5		x1
6		x1
7		x1

8		x1
9		x1
10		x2
11		x1
12		x1
13		x4

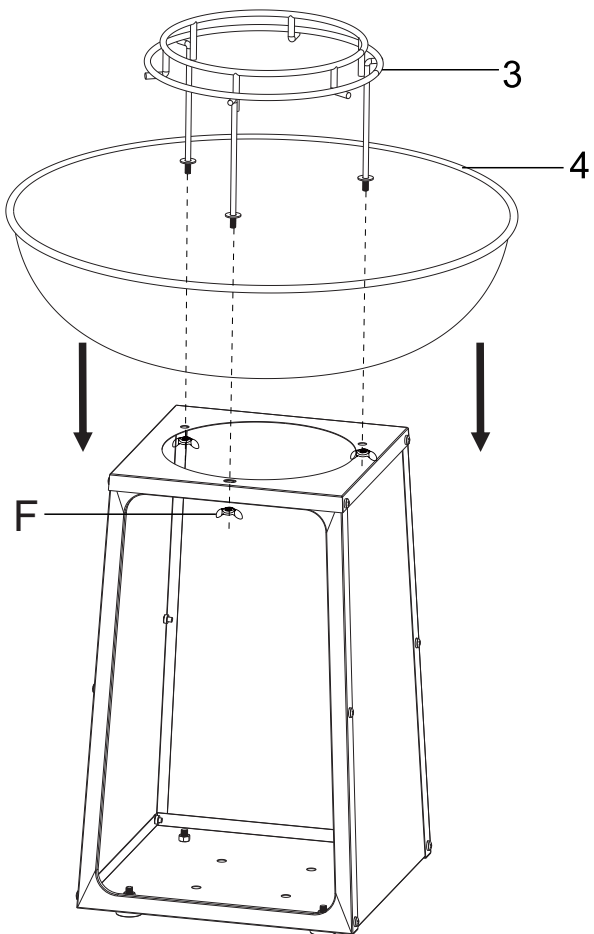
A	M6X12  	X12
B	M5X12  	X3
C	M5  	X3
D	M6 	X2
E	Ø5x12 	X3
F	M8 	X3



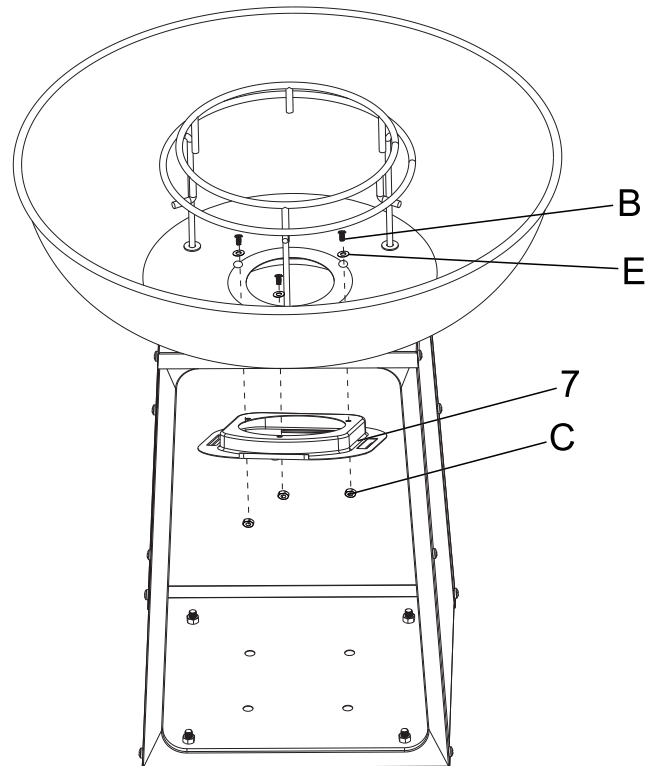
2.



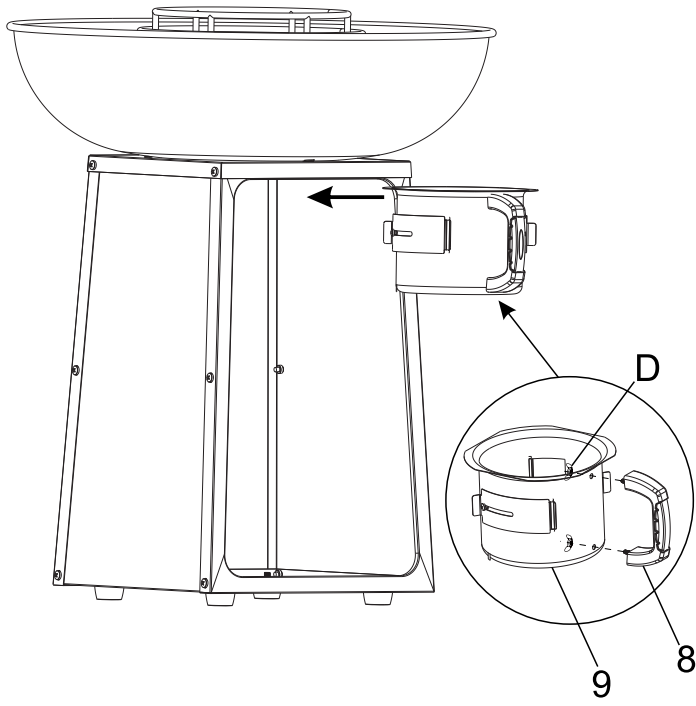
3.



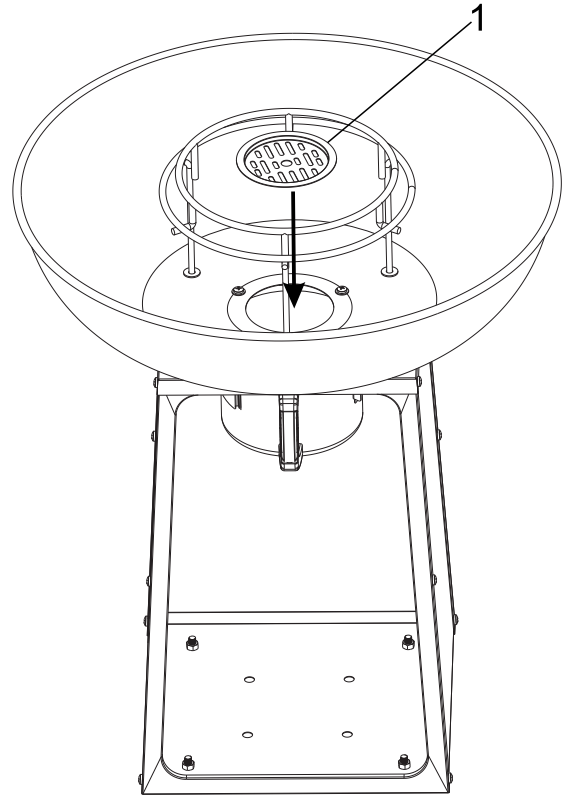
4.



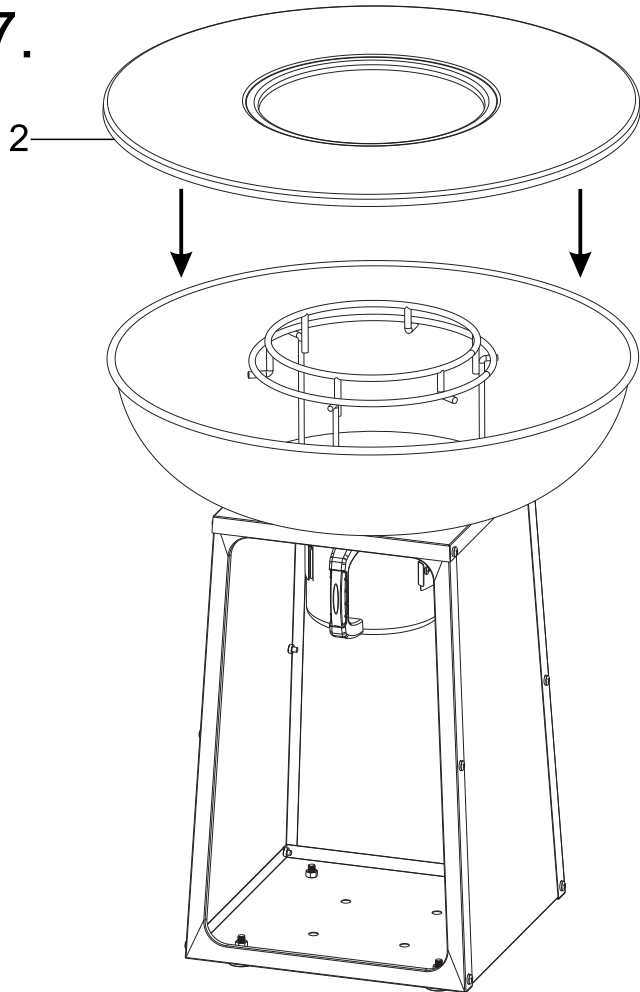
5.



6.



7.



8.

