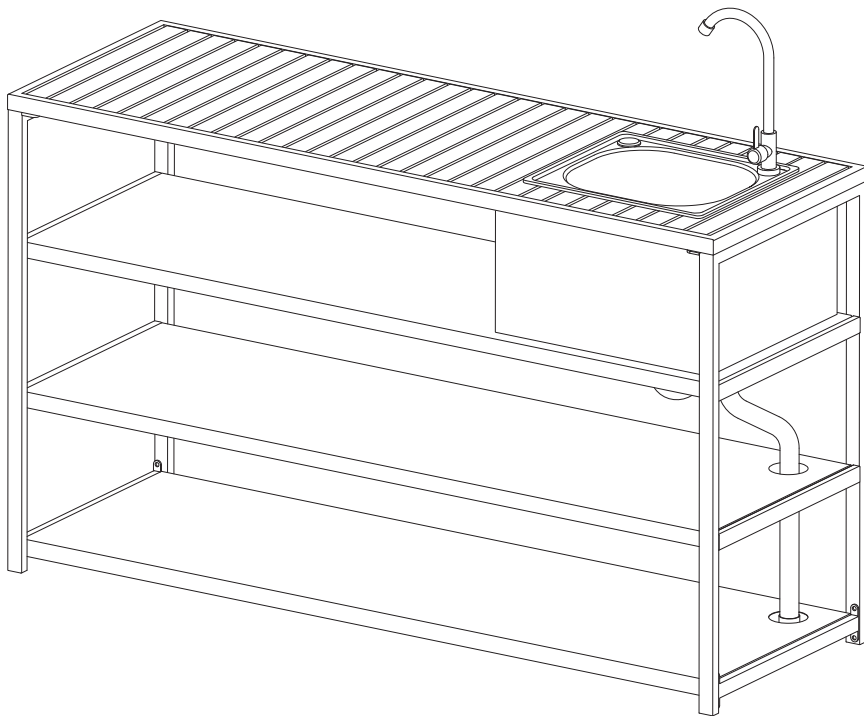


AVETRANA



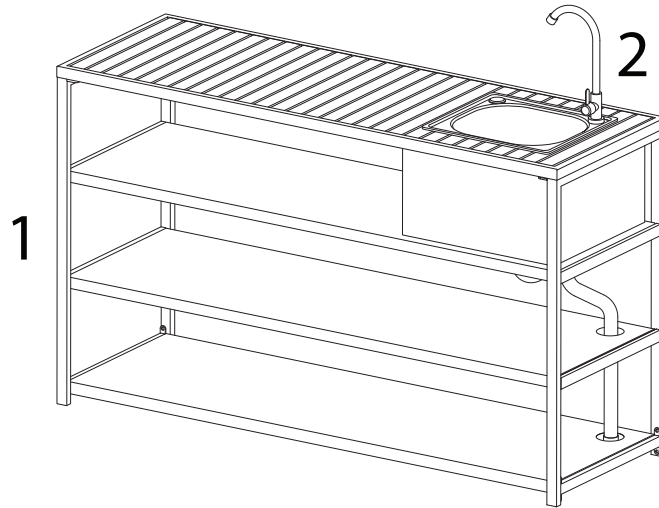
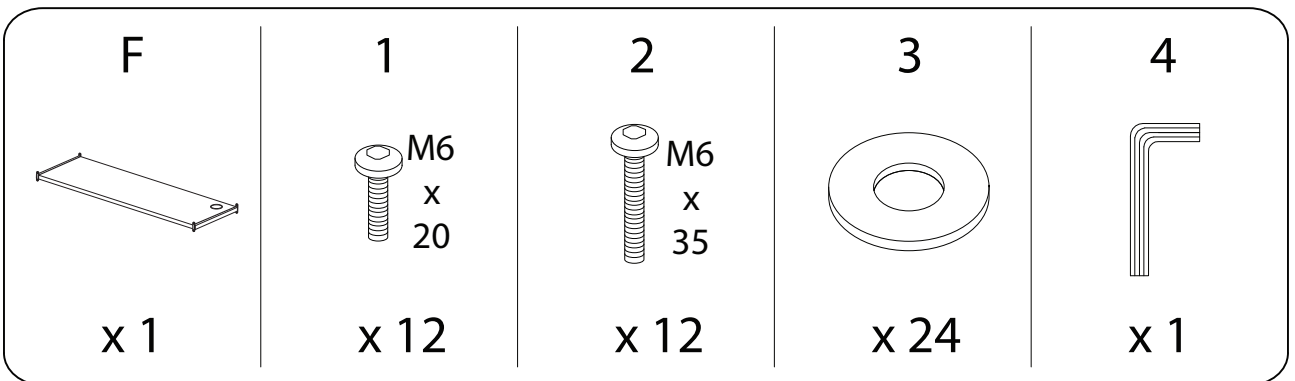
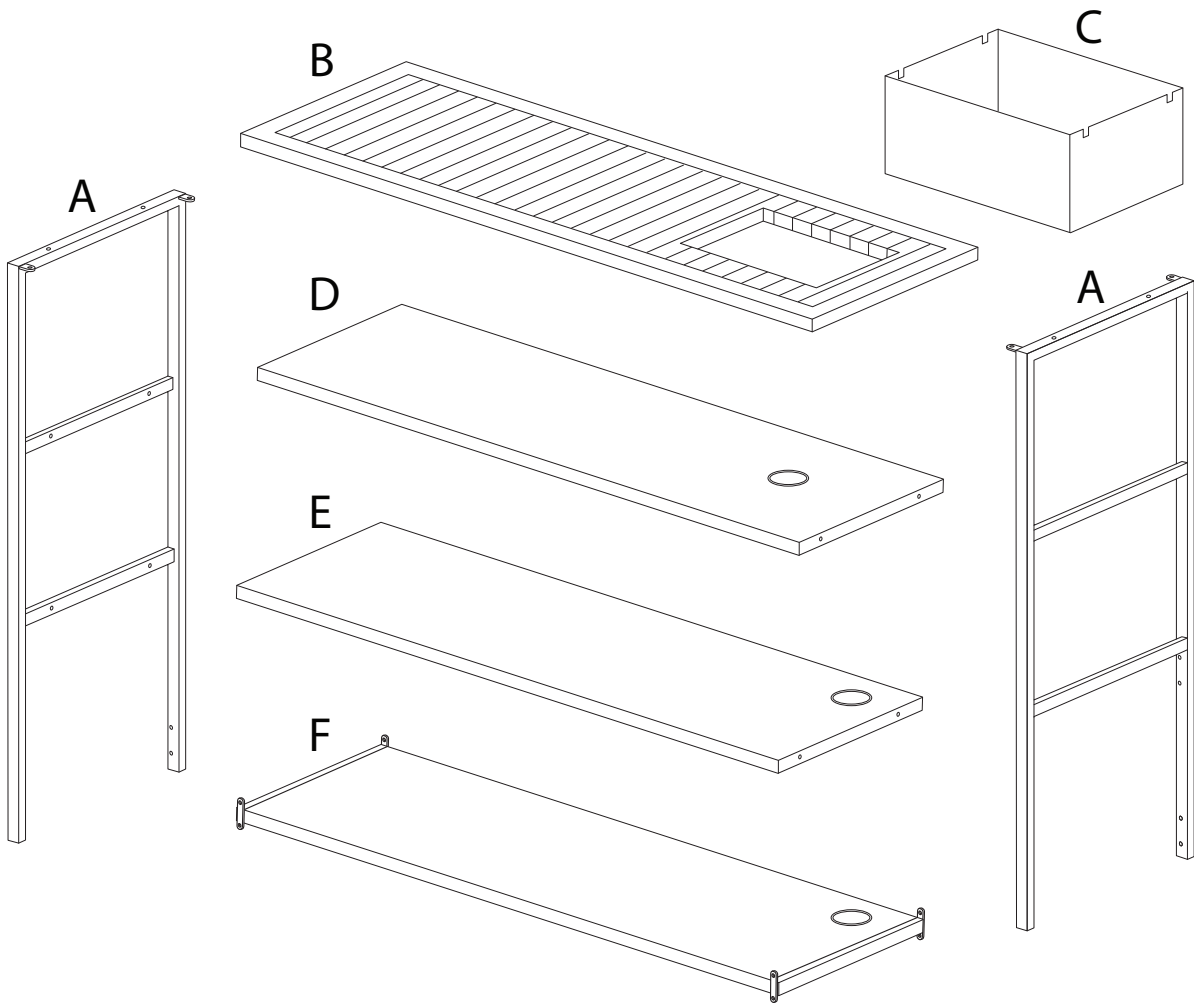
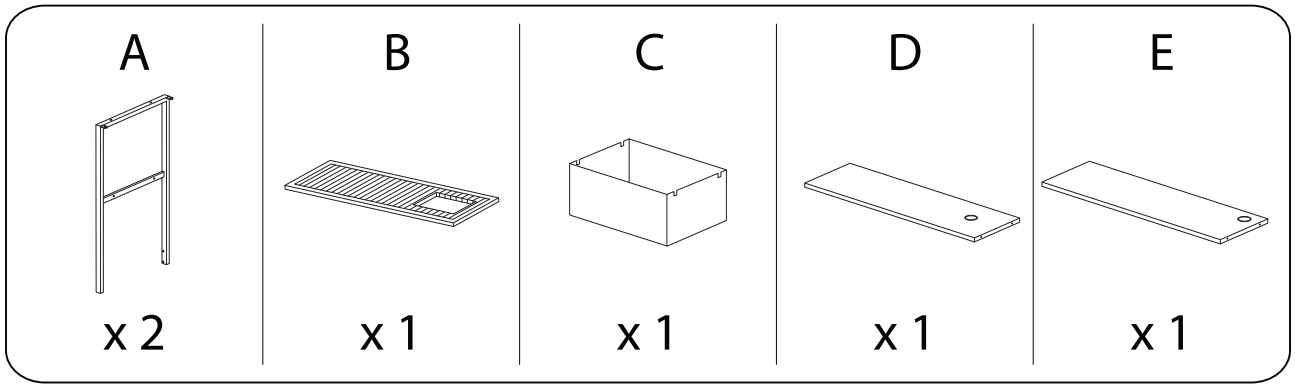


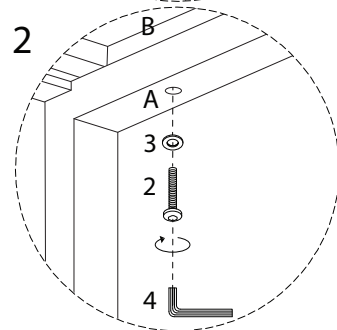
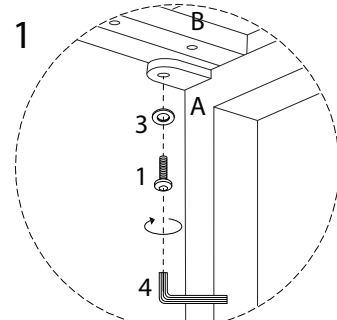
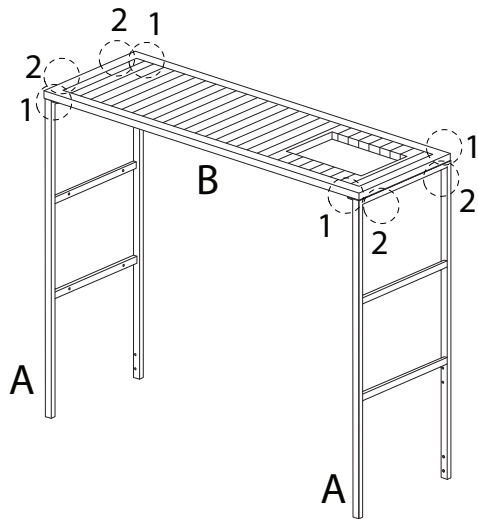
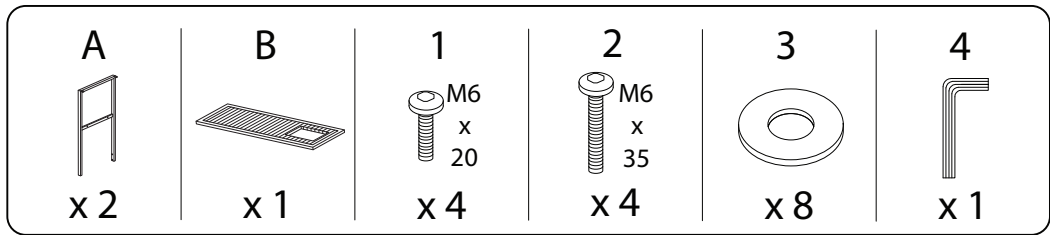
Diagram illustrating safety instructions for installation:

- Top Section:** Shows a warning triangle (exclamation mark) next to a circular icon containing an L-shaped metal bracket and a crossed-out power drill. To the right is a clock icon with the number **60'** below it, indicating a 60-minute time limit.
- Bottom Section:** Shows a warning triangle (exclamation mark) next to a circular icon containing a rectangular block on a surface and a crossed-out block being lifted. To the right is a person icon with the number **2** below it, indicating that two people are required for installation.

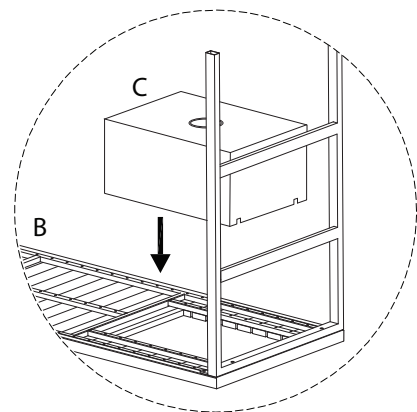
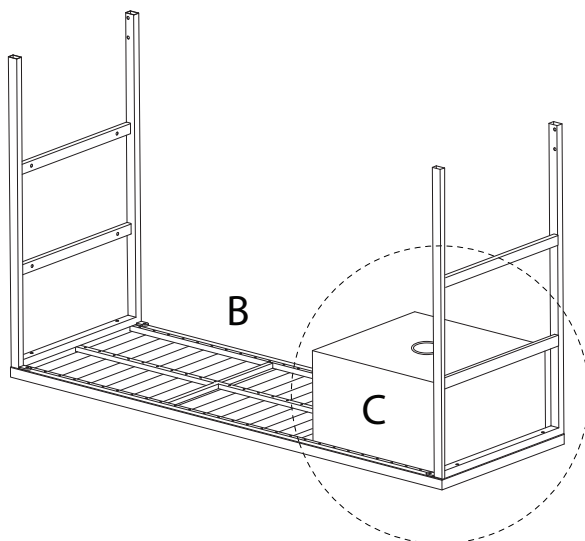
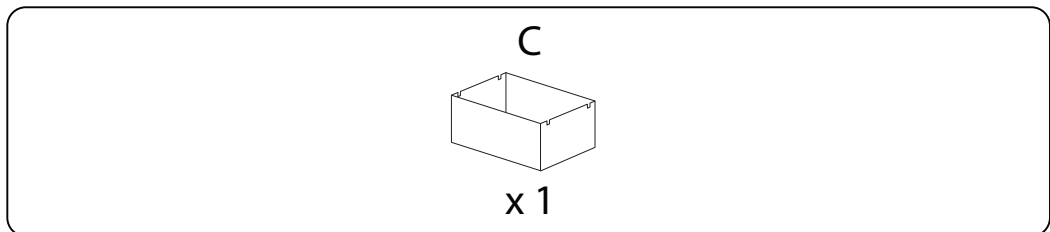
1



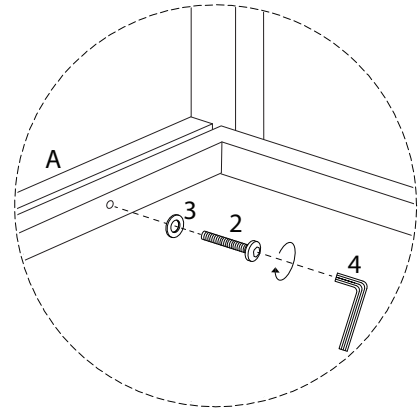
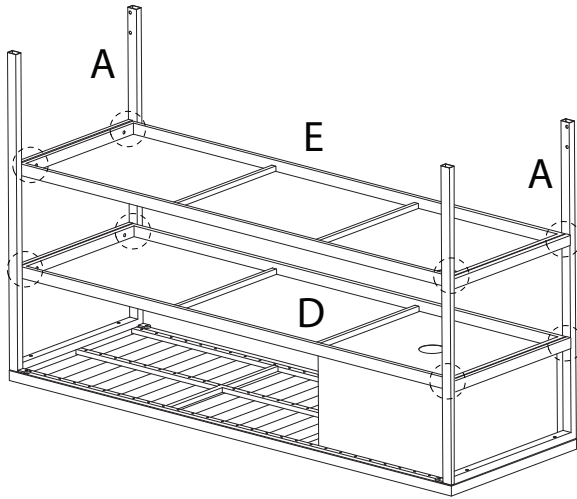
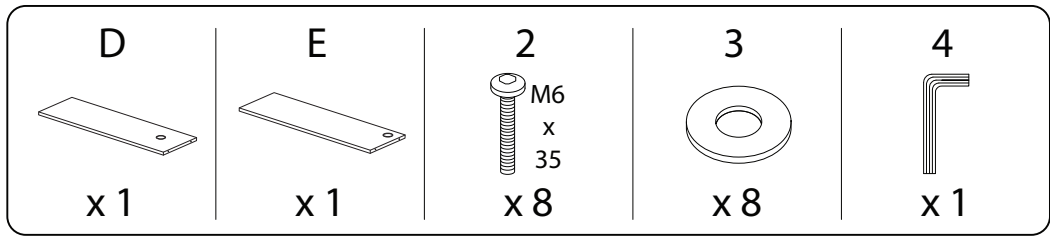
1



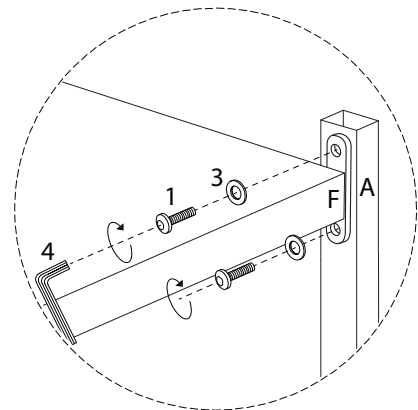
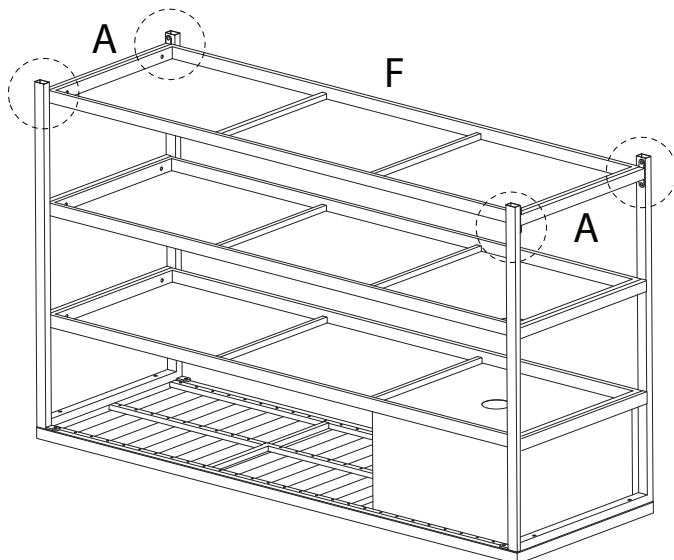
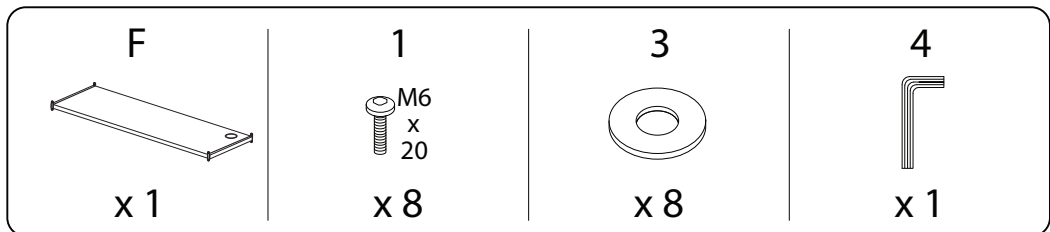
2

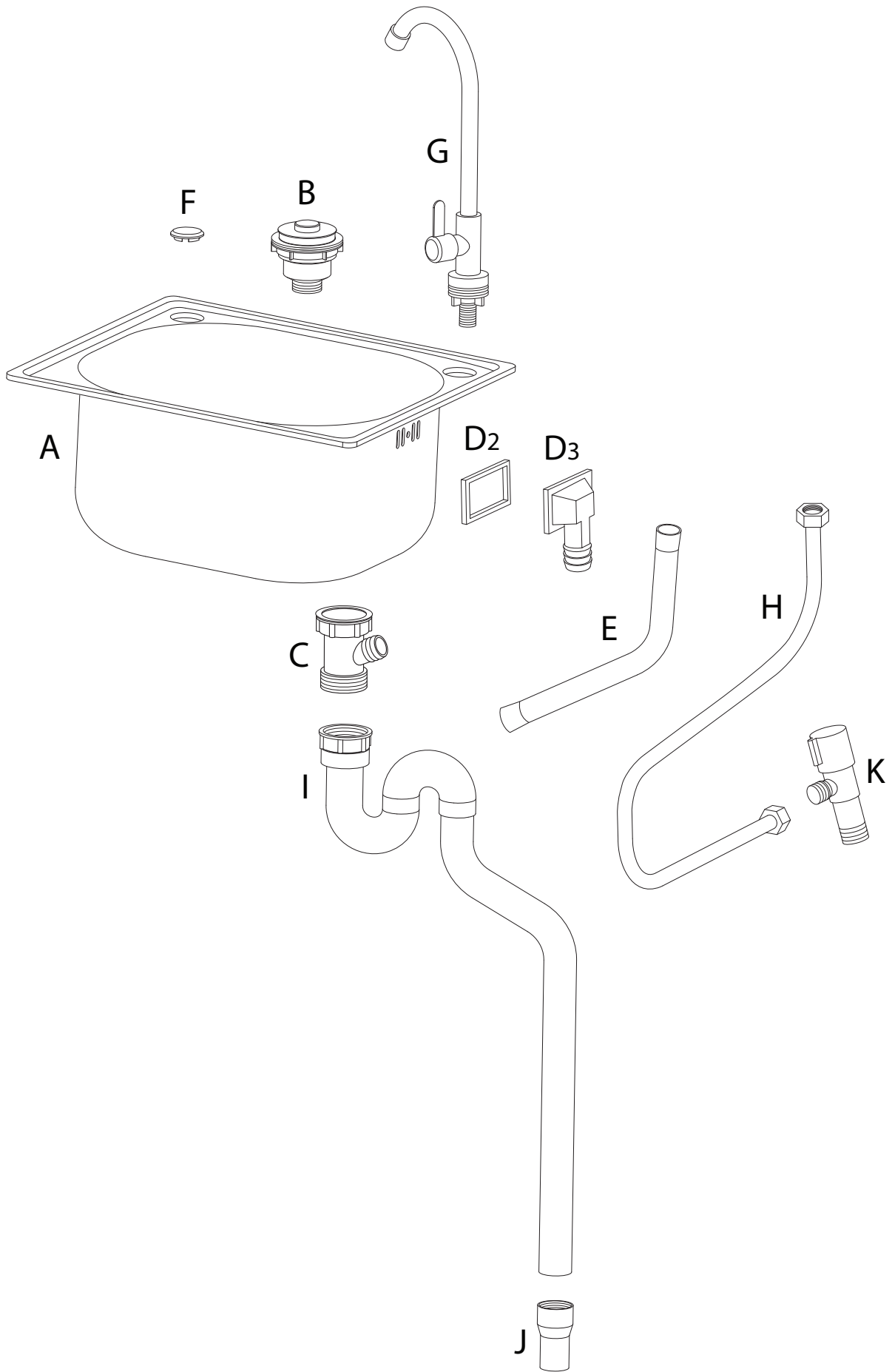


3



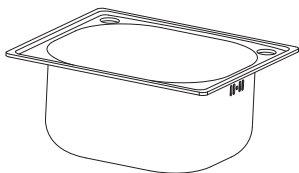
4





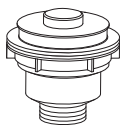
B

A



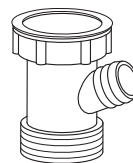
x 1

B



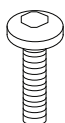
x 1

C



x 1

D₁



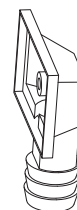
x 1

D₂



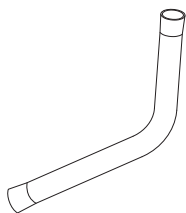
x 1

D₃



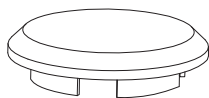
x 1

E



x 1

F



x 1

G



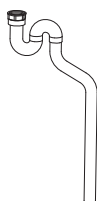
x 1

H



x 1

I



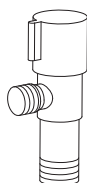
x 1

J



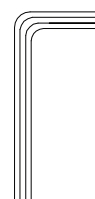
x 1

K



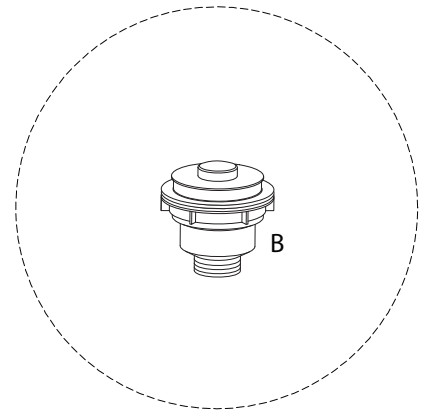
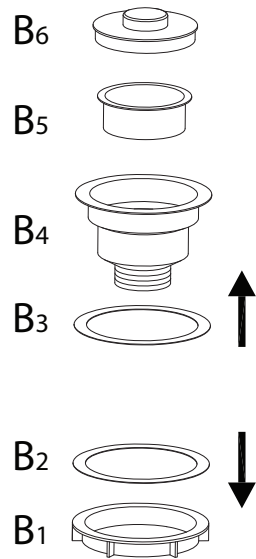
x 1

L



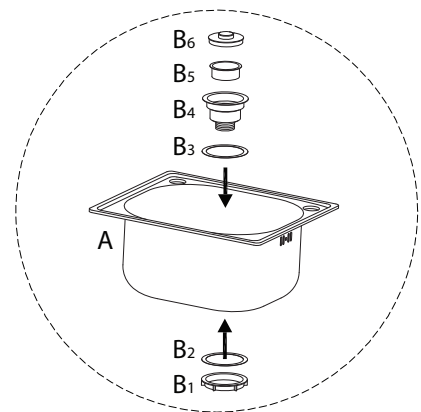
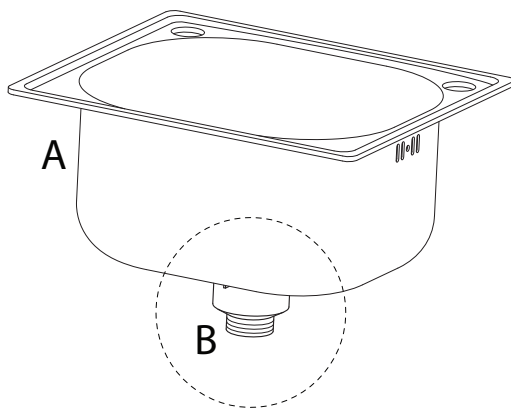
x 1

!

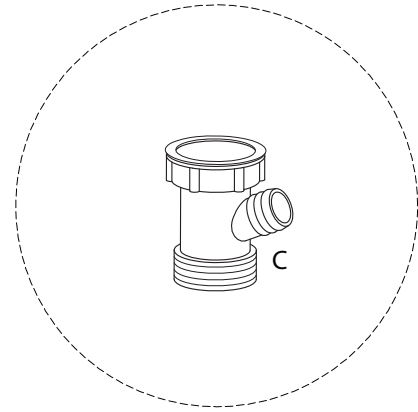
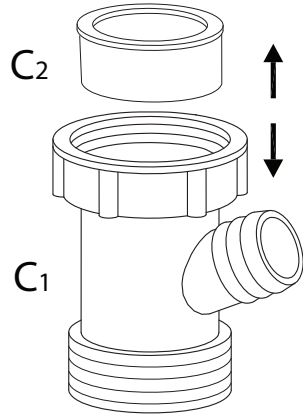


1

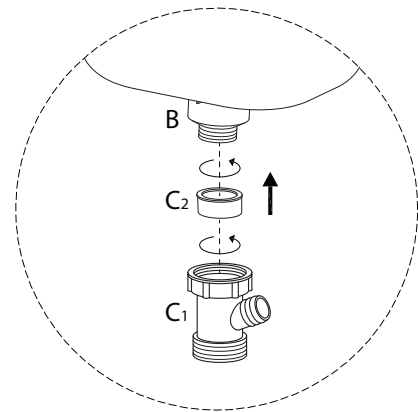
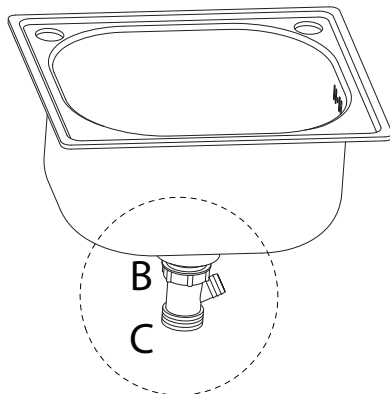
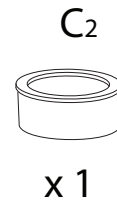
A	B ₁	B ₂	B ₃	B ₄	B ₅	B ₆
x 1	x 1	x 1	x 1	x 1	x 1	x 1



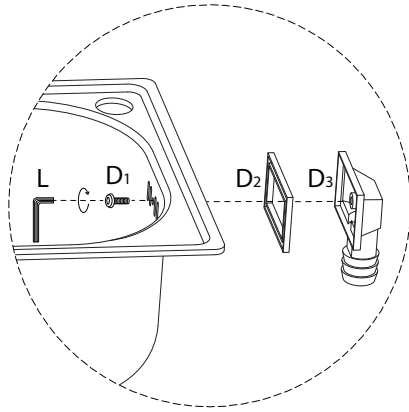
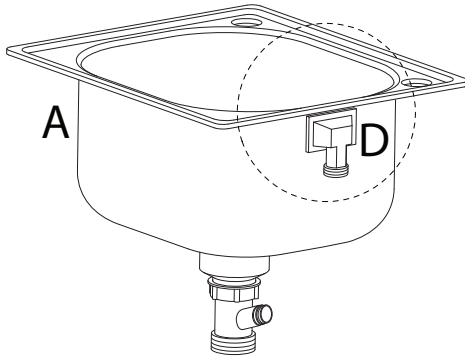
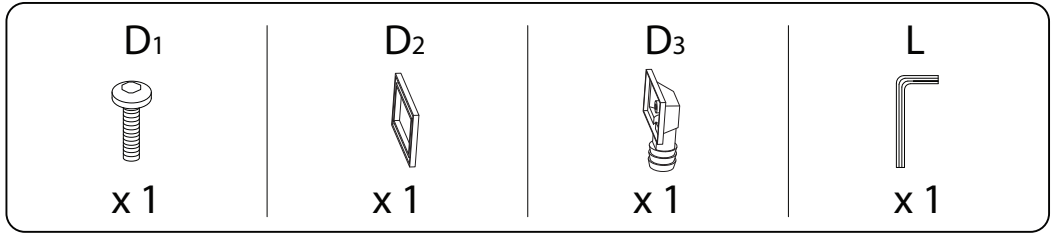
!



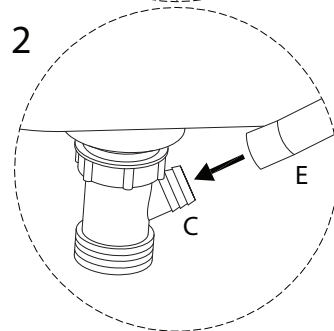
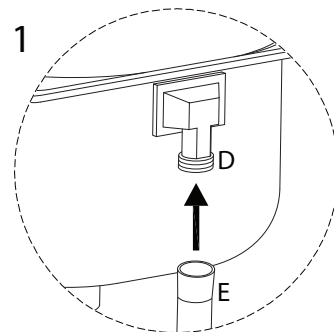
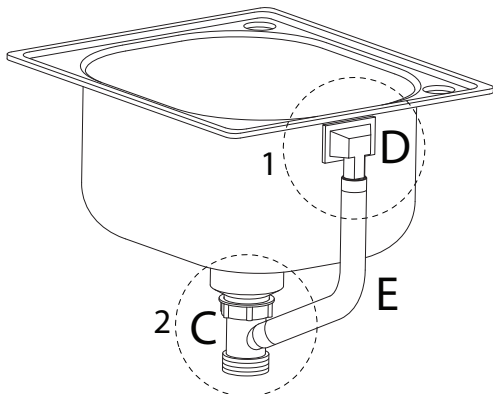
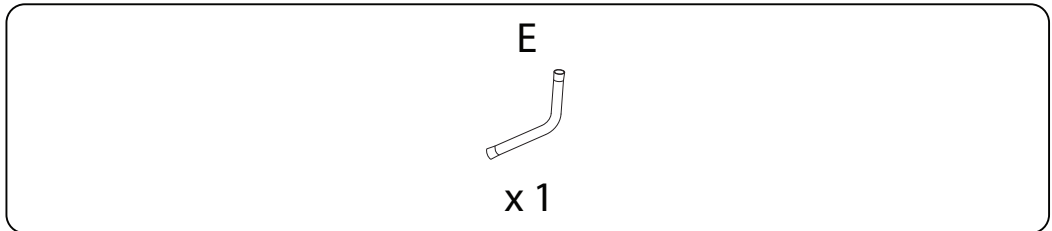
2



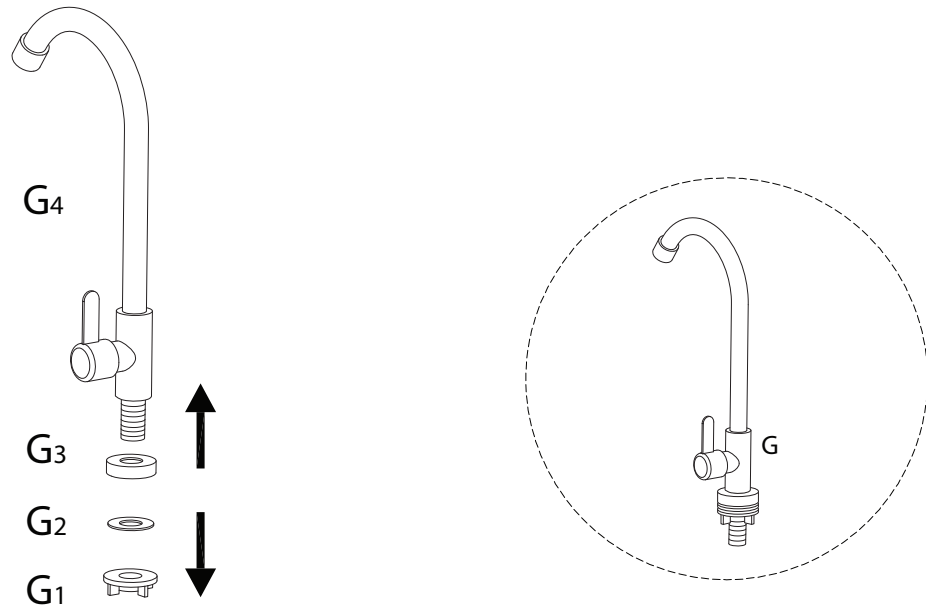
3







4

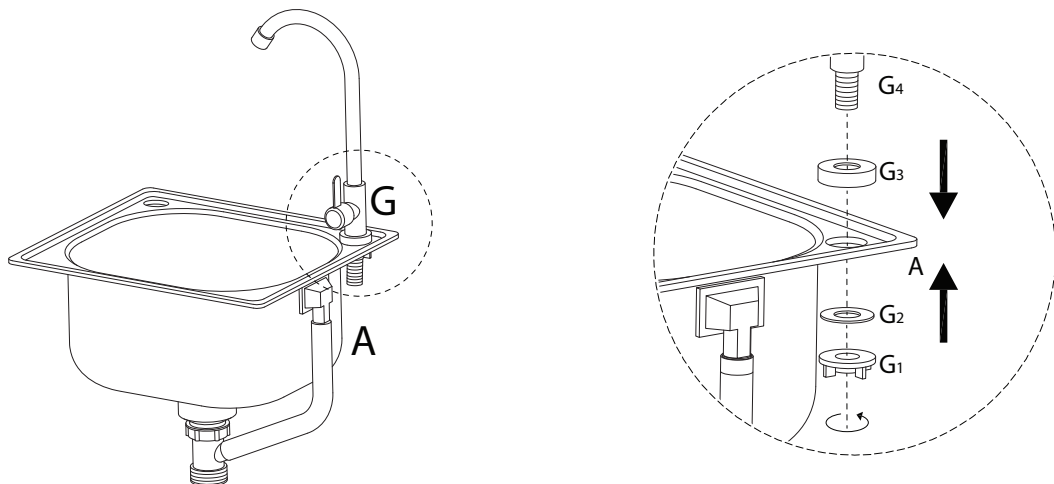


!

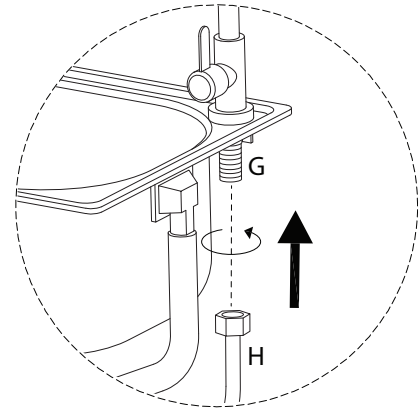
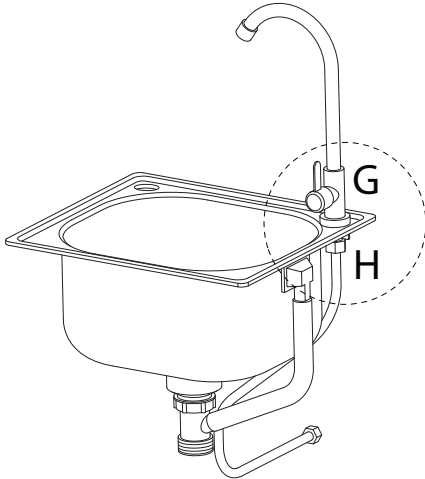
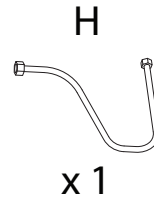


5

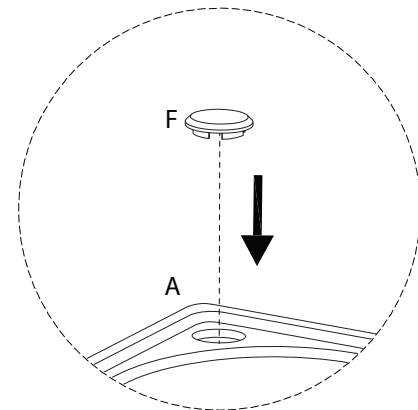
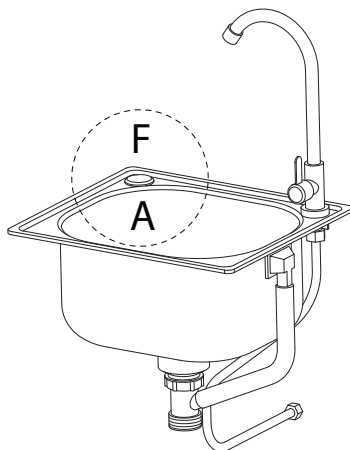
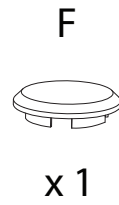
G1	G2	G3	G4
			
x 1	x 1	x 1	x 1



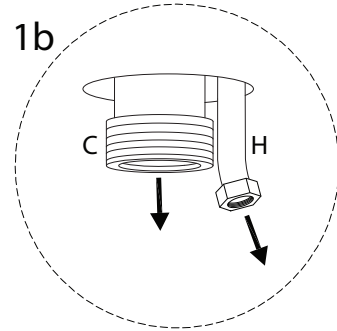
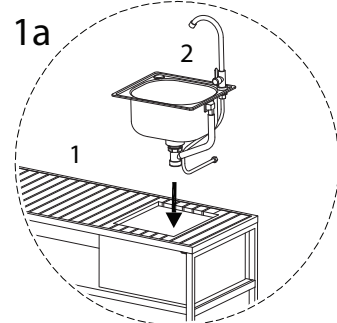
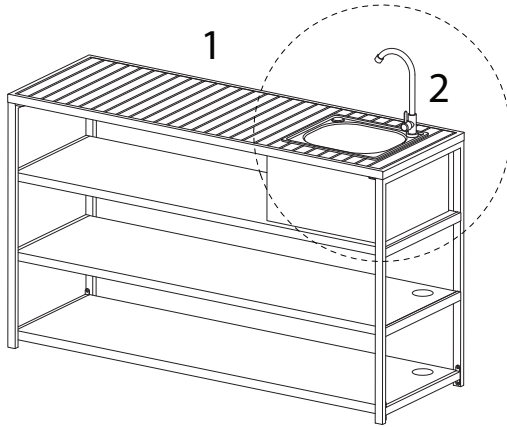
6



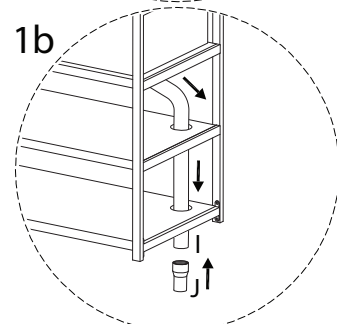
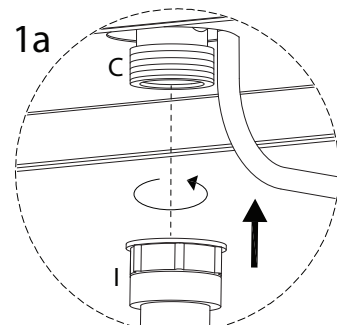
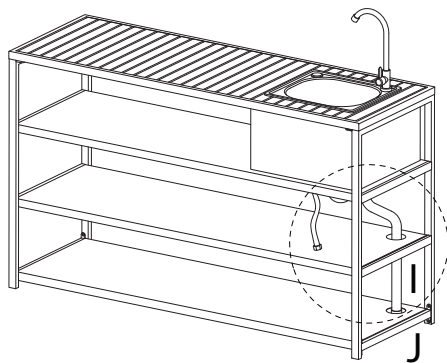
7



8



9



10

K
x 1

