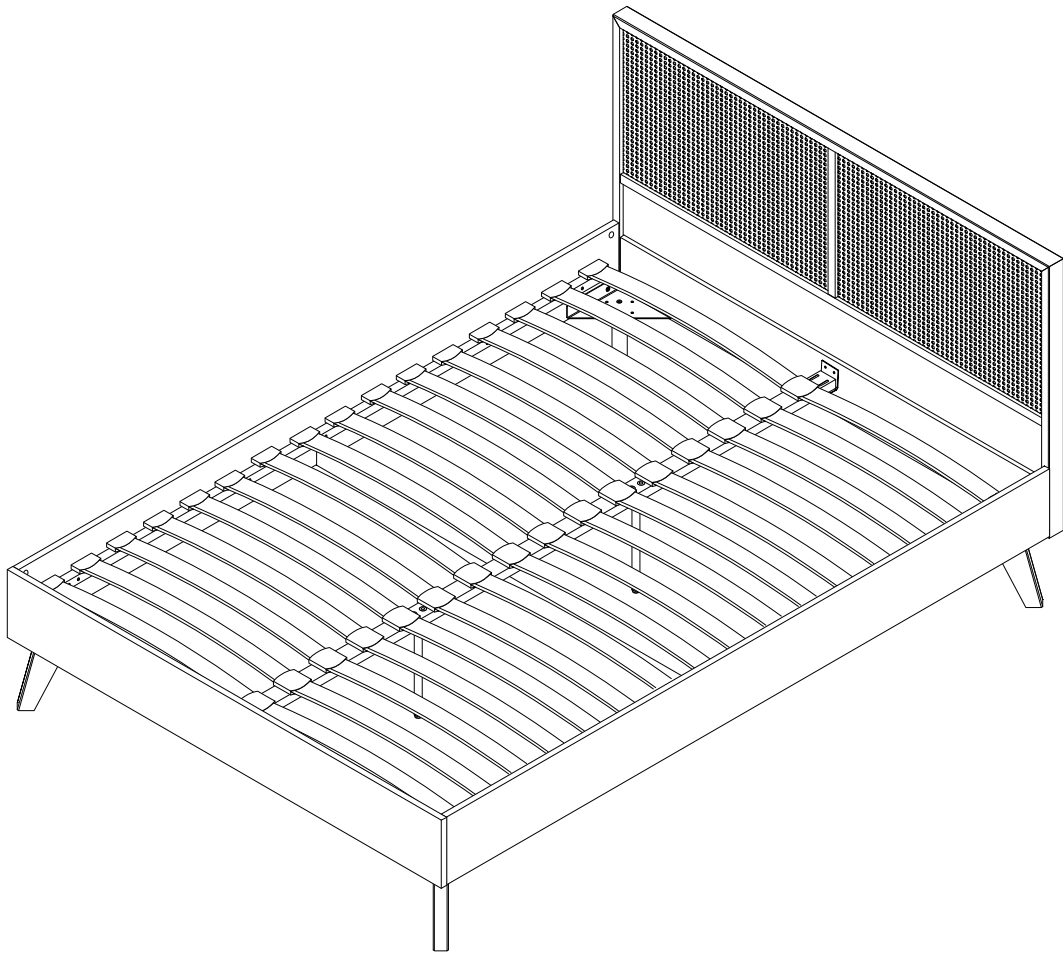
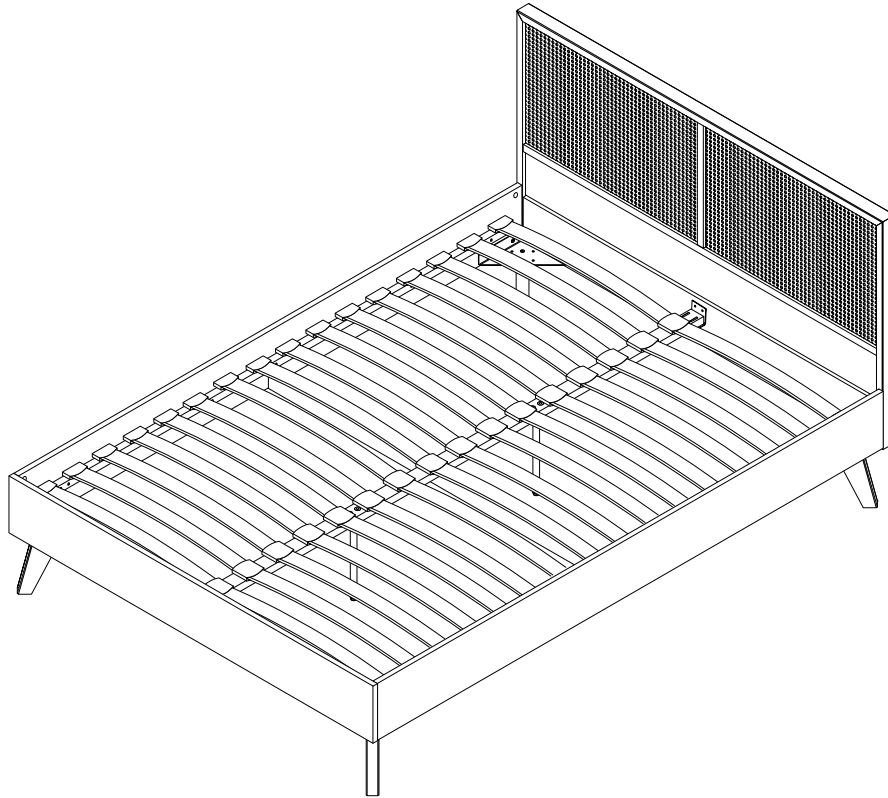
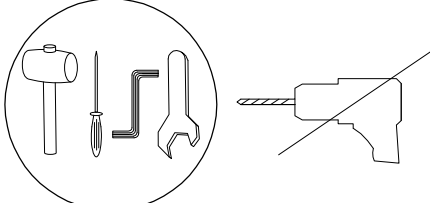

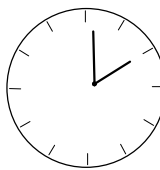
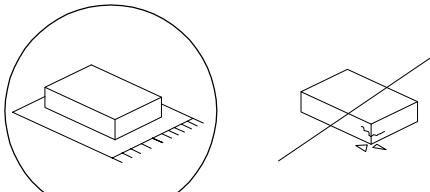

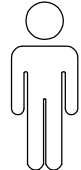
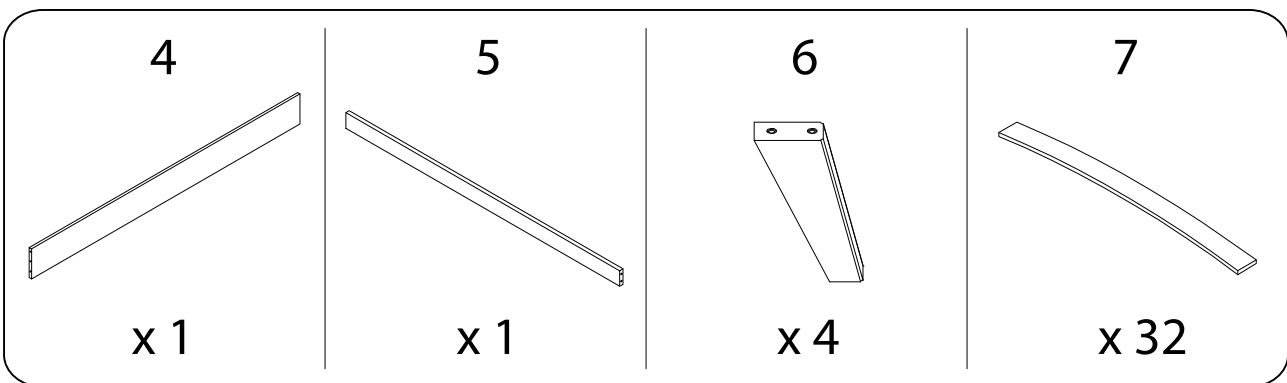
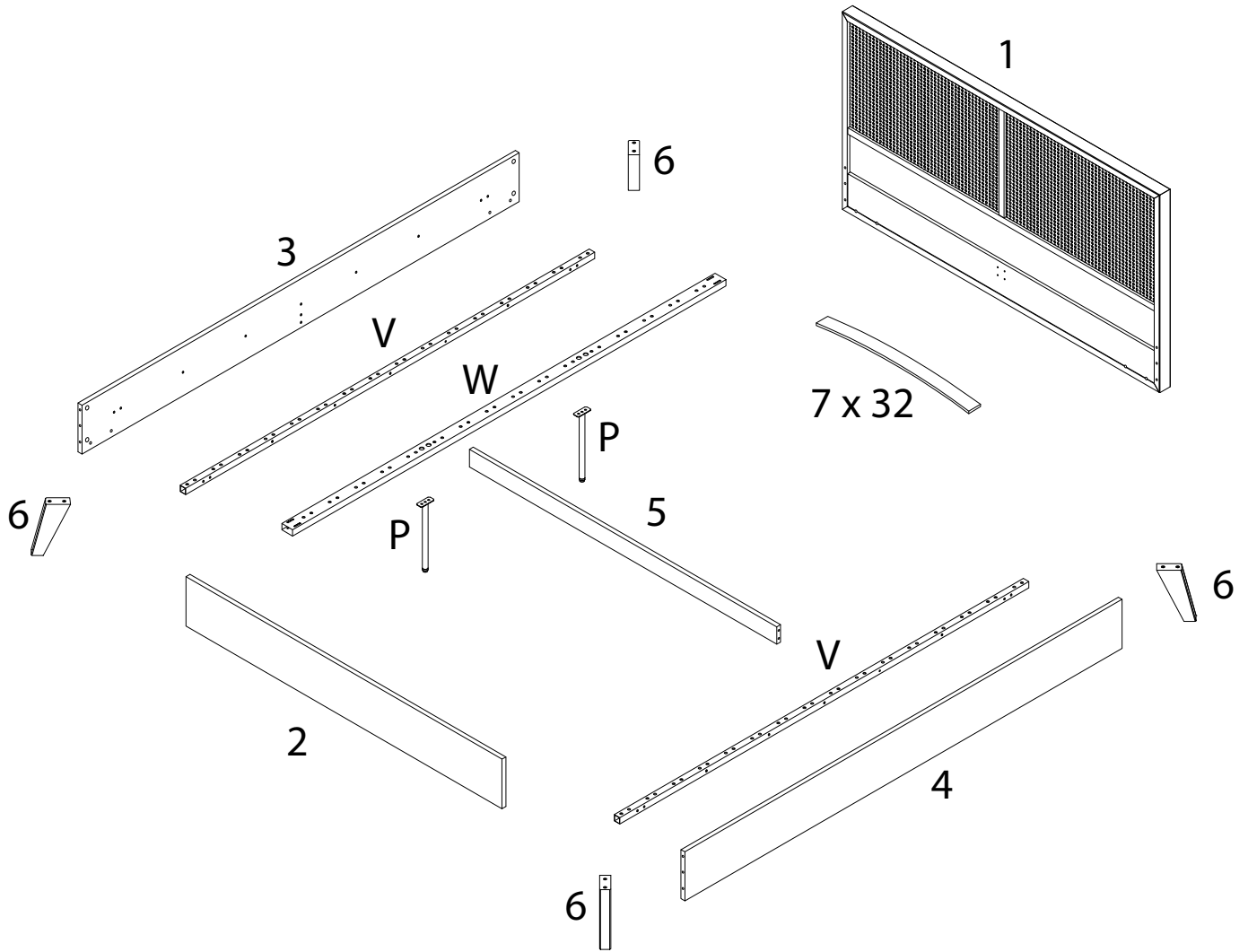
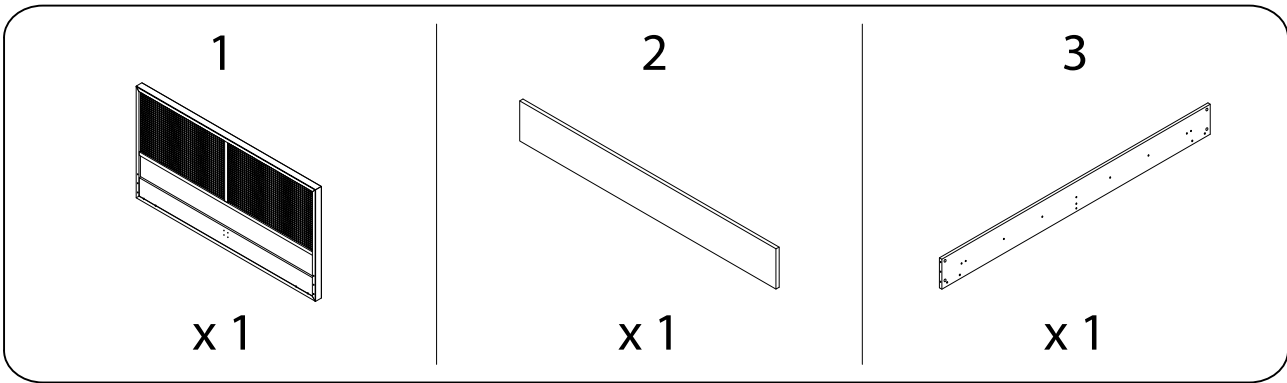


MONPAZIER

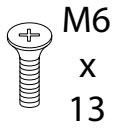




		
		120'
		
		2

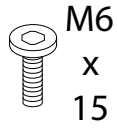


A



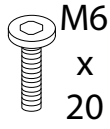
x 4

B



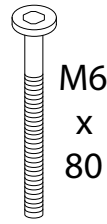
x 16

C



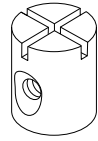
x 12

D



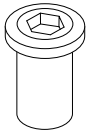
x 4

E



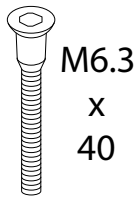
x 4

F



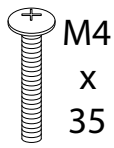
x 4

G



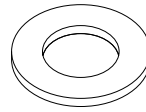
x 18

H



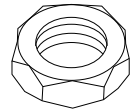
x 8

J



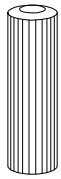
x 8

K



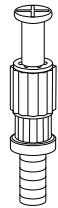
x 8

L



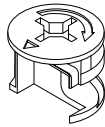
x 6

M



x 6

N



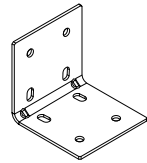
x 6

P



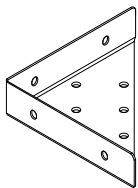
x 2

Q



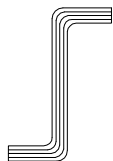
x 2

R



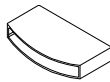
x 4

S



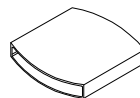
x 1

T



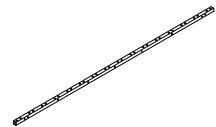
x 32

U



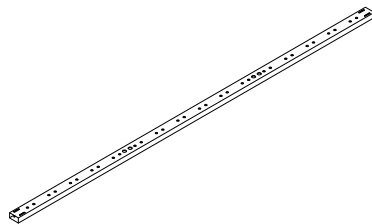
x 16

V



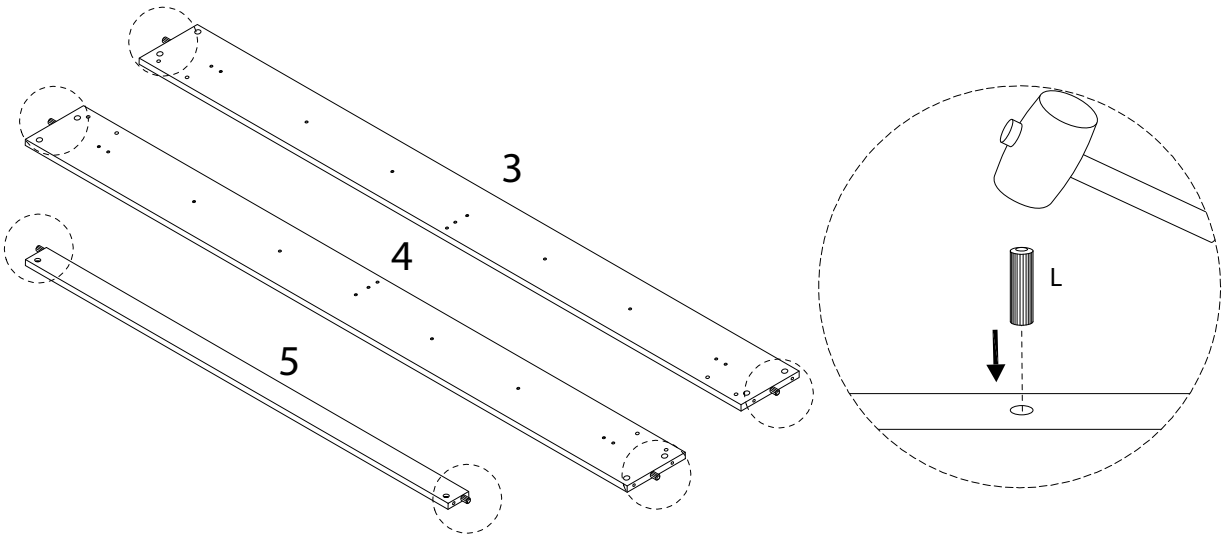
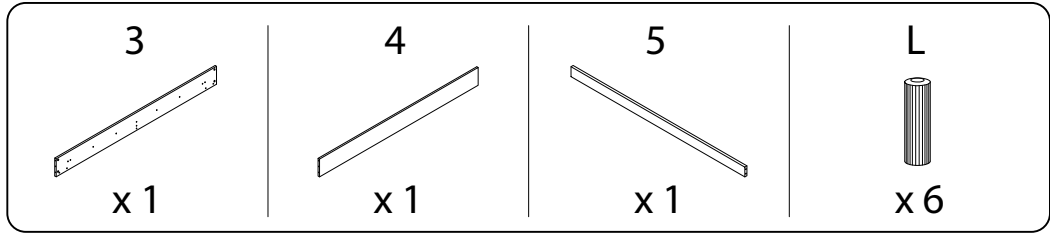
x 2

W

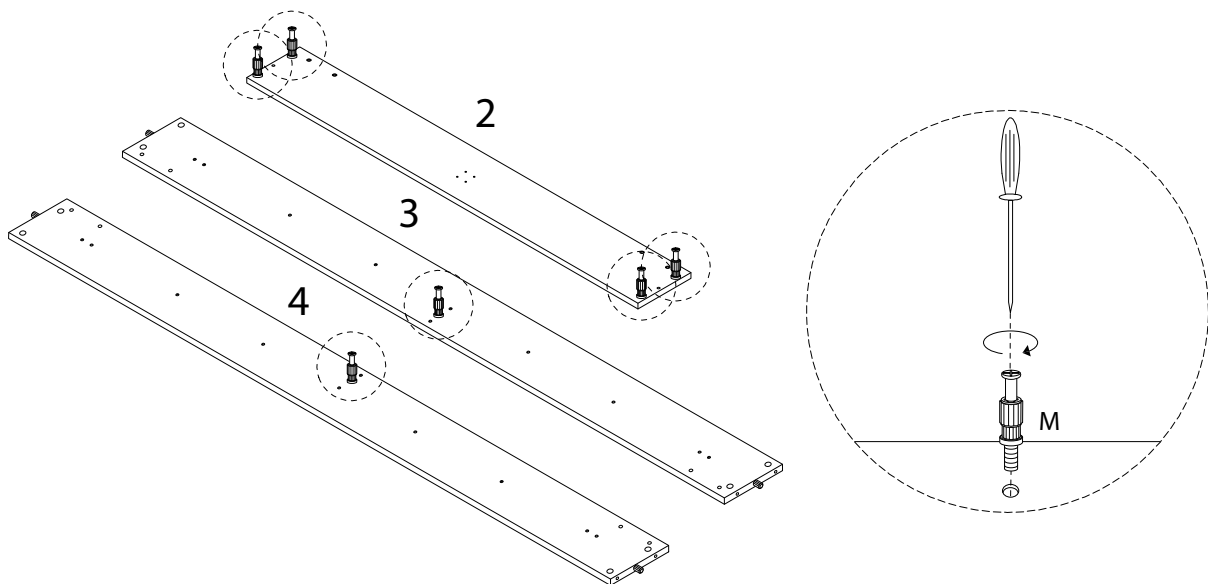
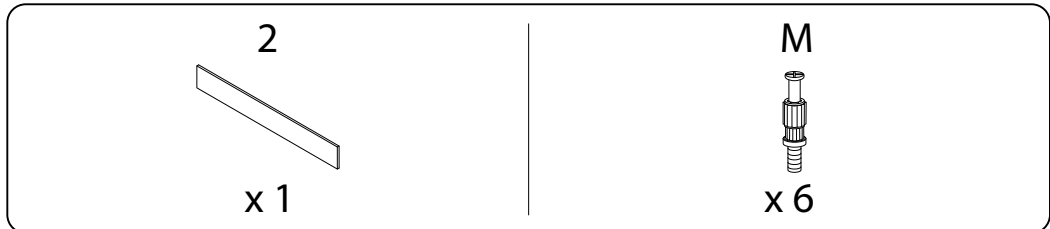


x 1

1

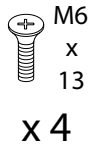


2

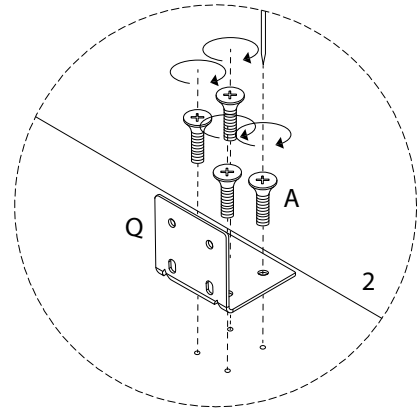
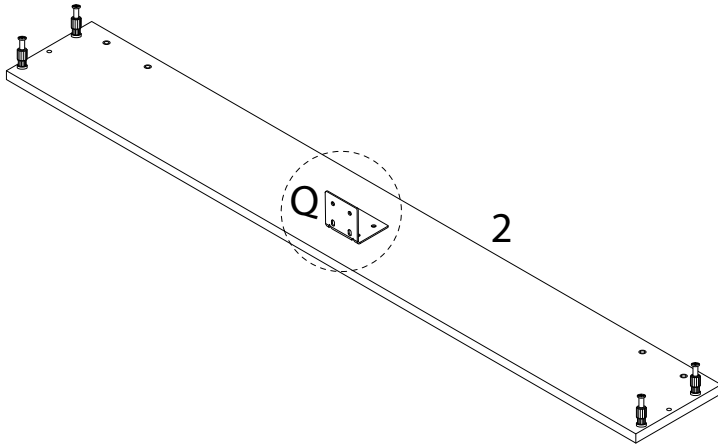
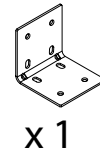


3

A

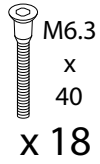


Q



4

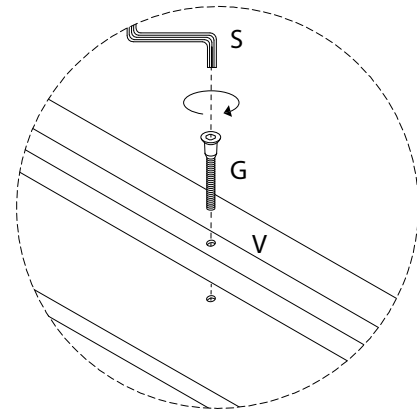
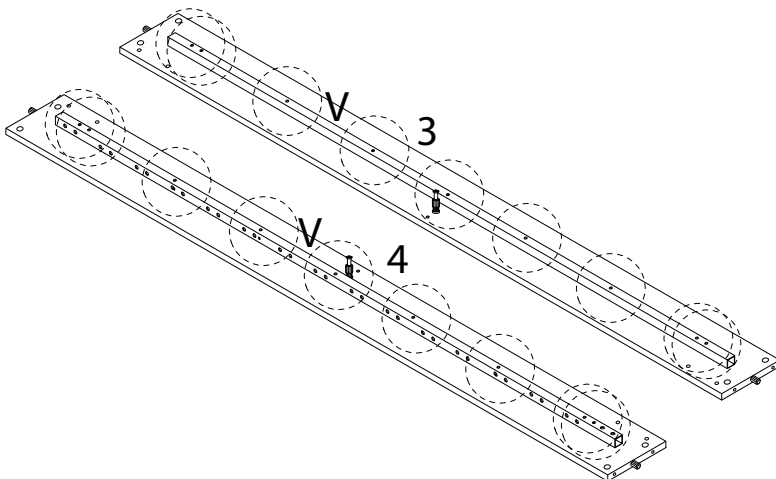
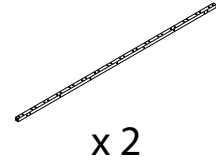
G



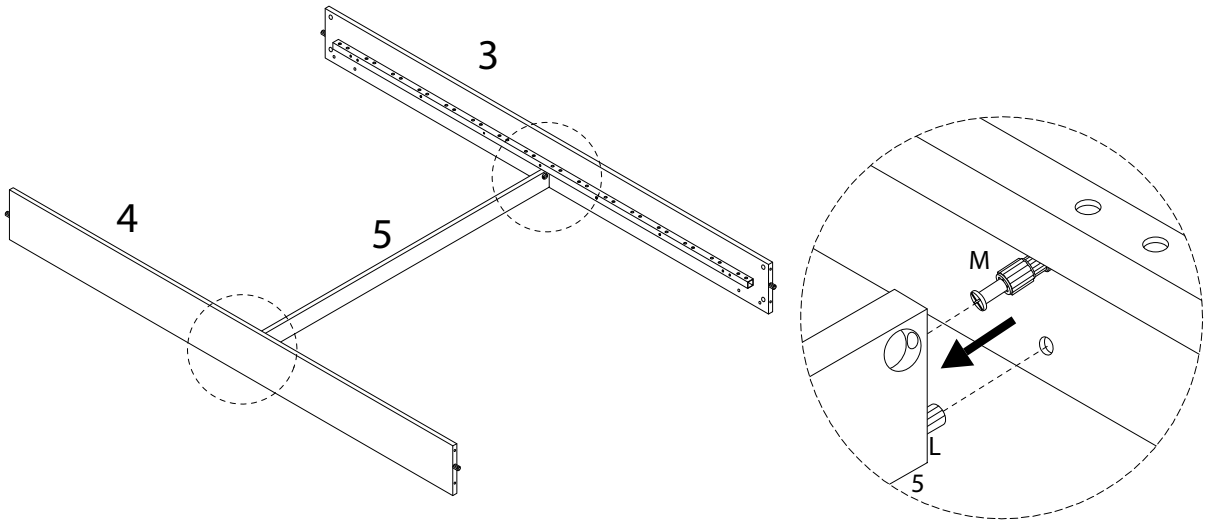
S



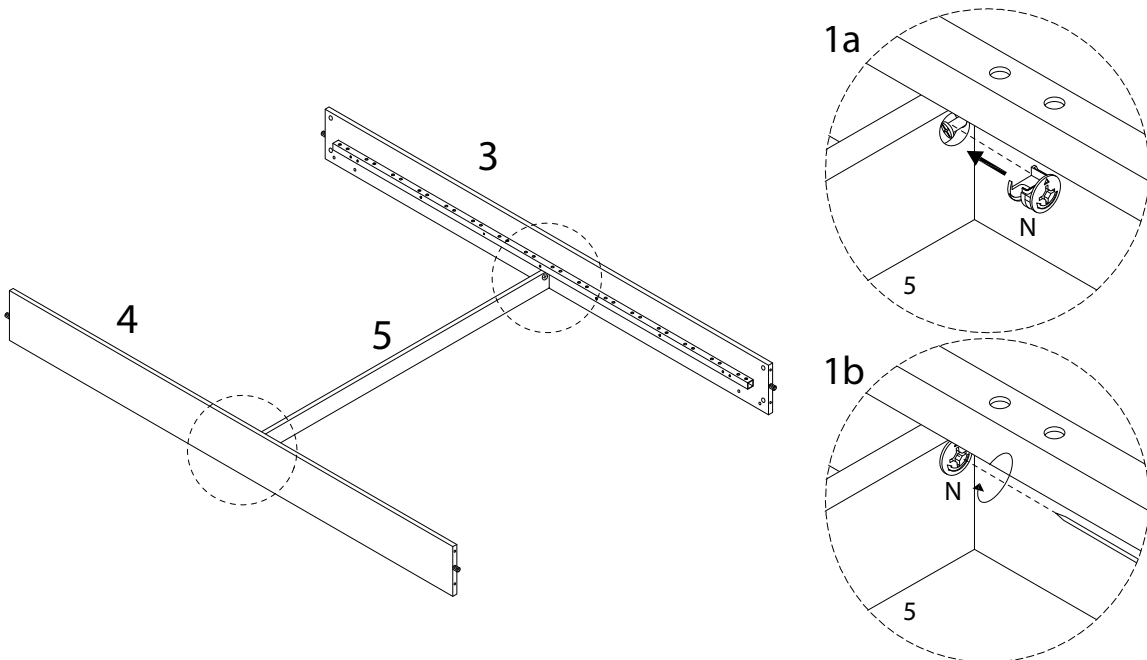
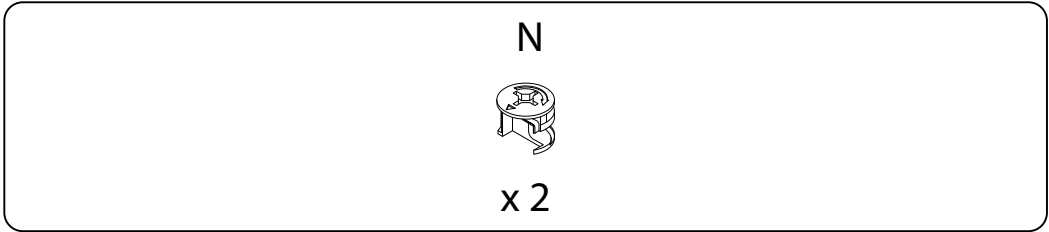
V



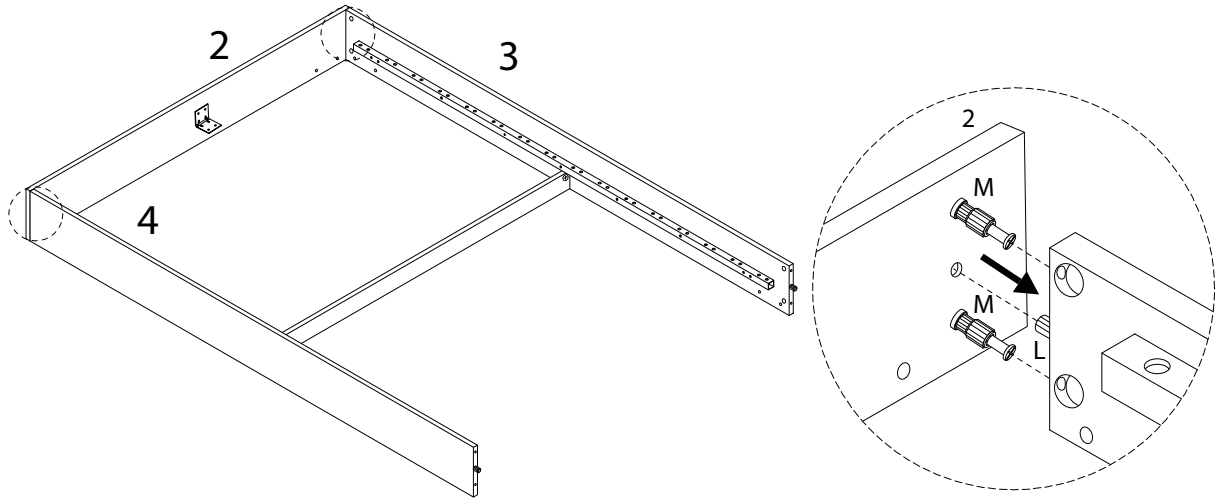
5



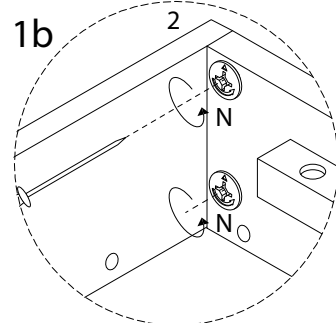
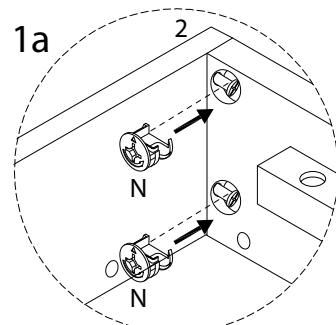
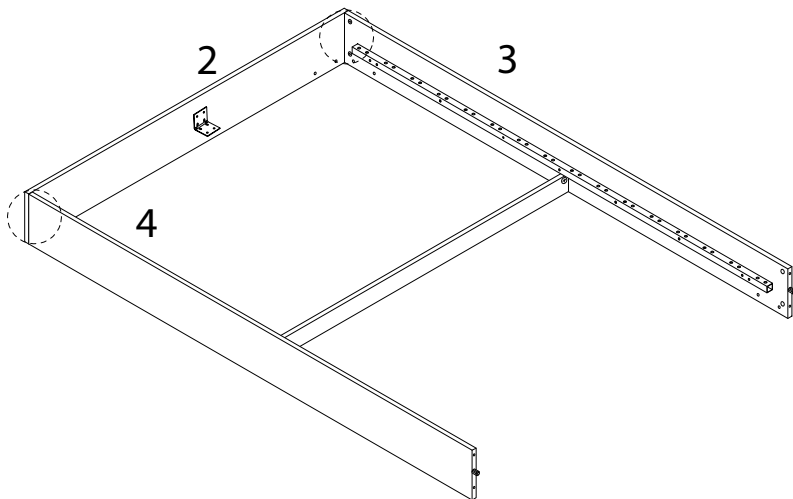
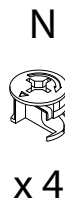
6



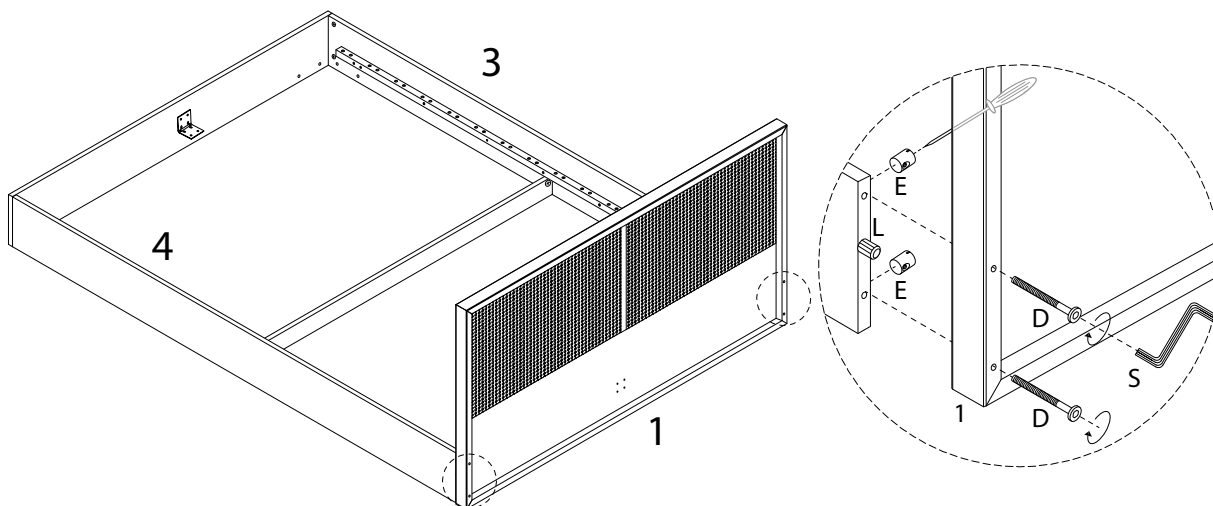
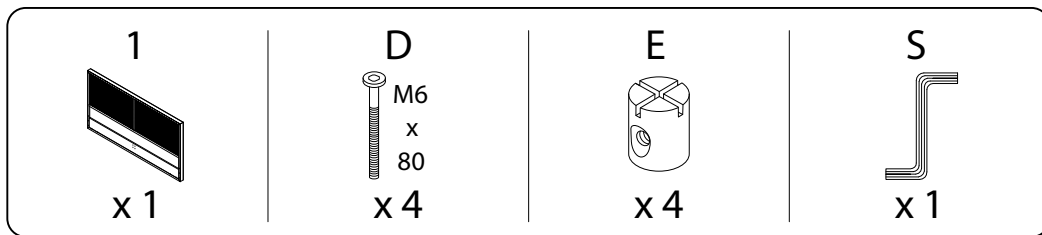
7



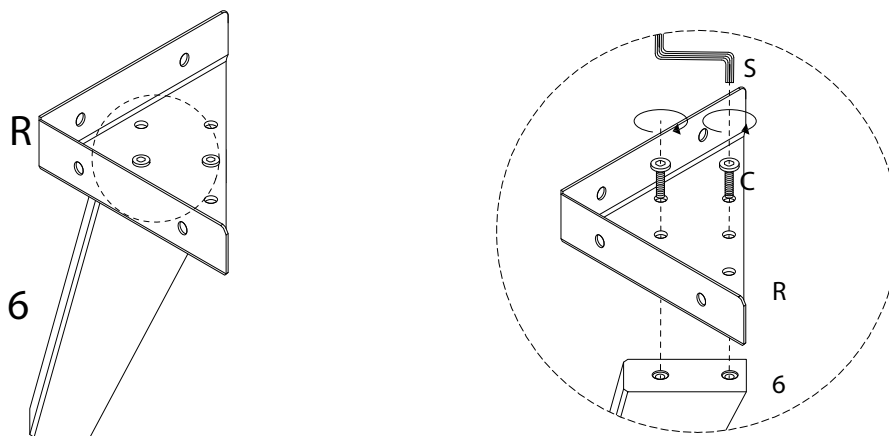
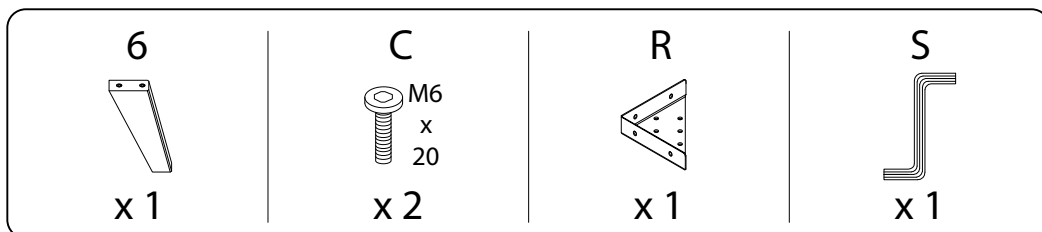
8



9



10 x 4



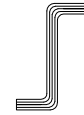
11

B

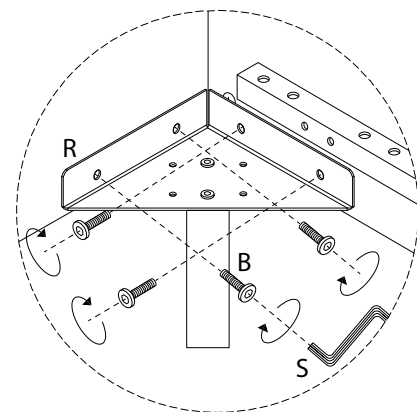
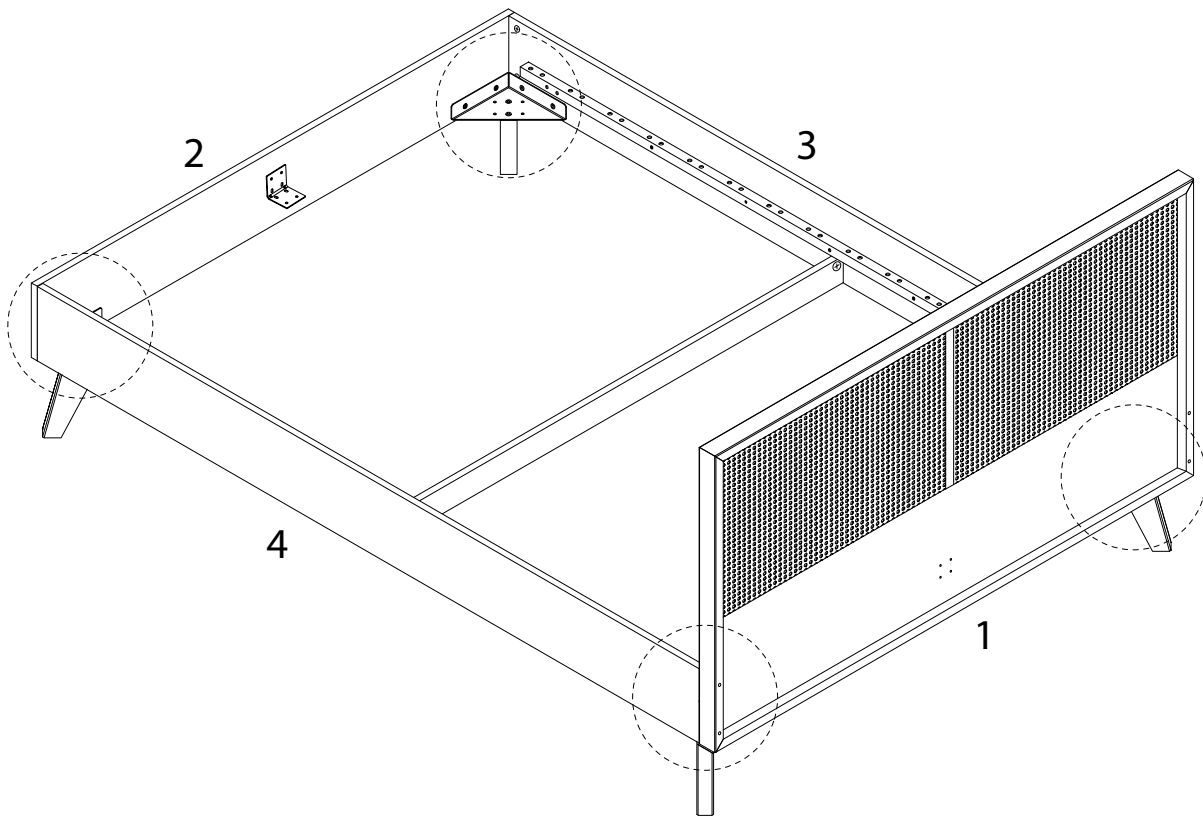


x 16

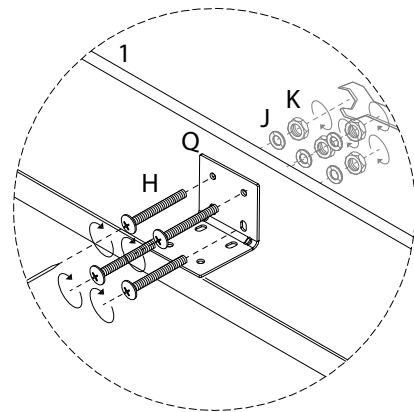
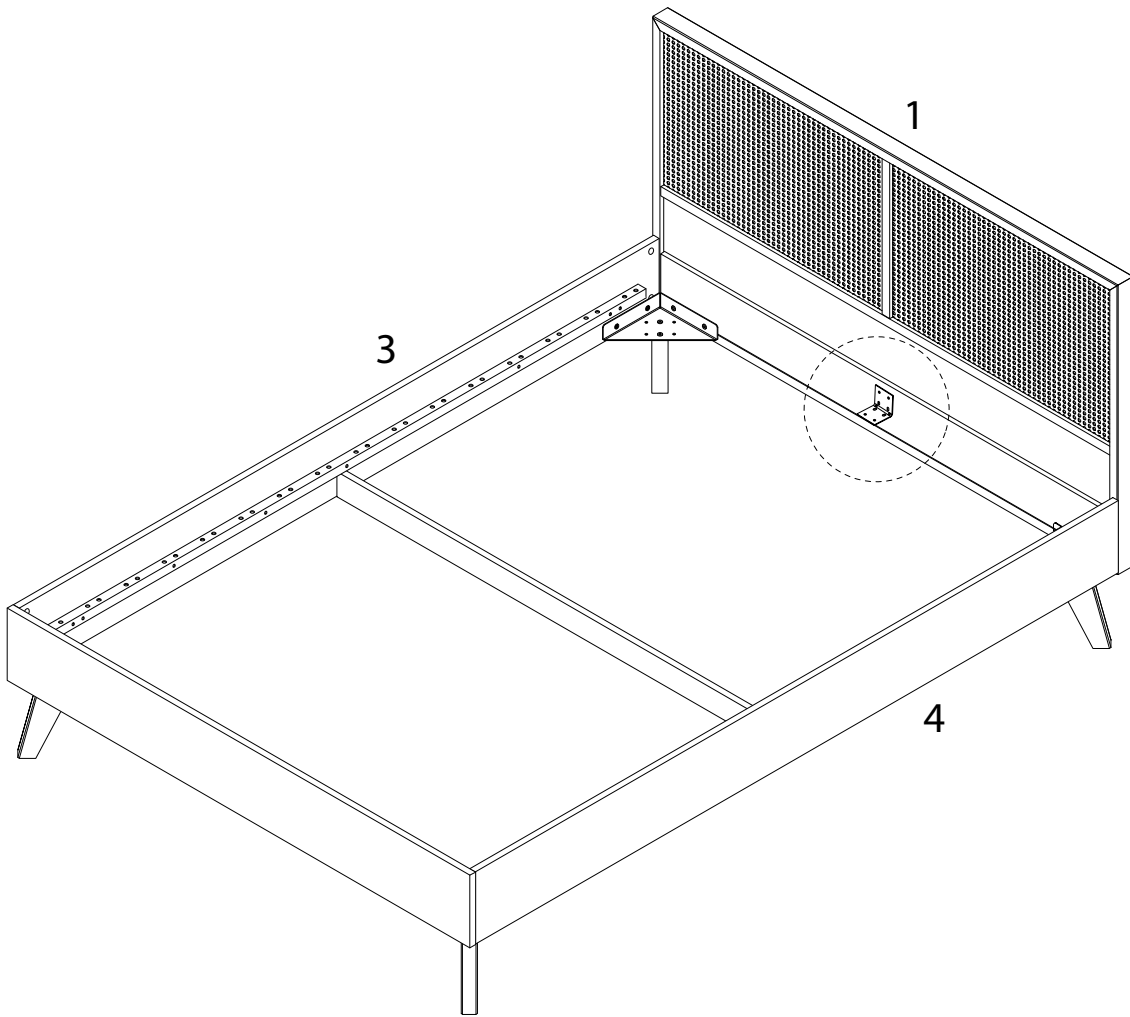
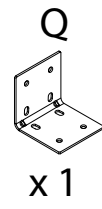
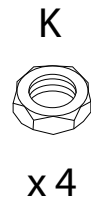
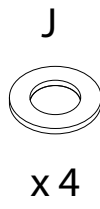
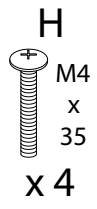
S



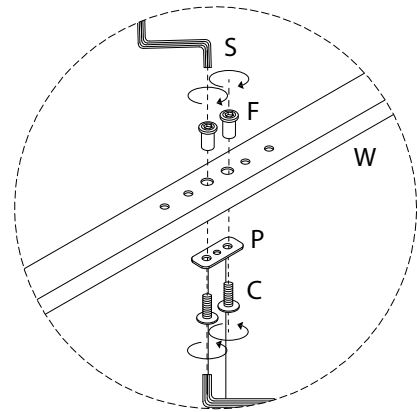
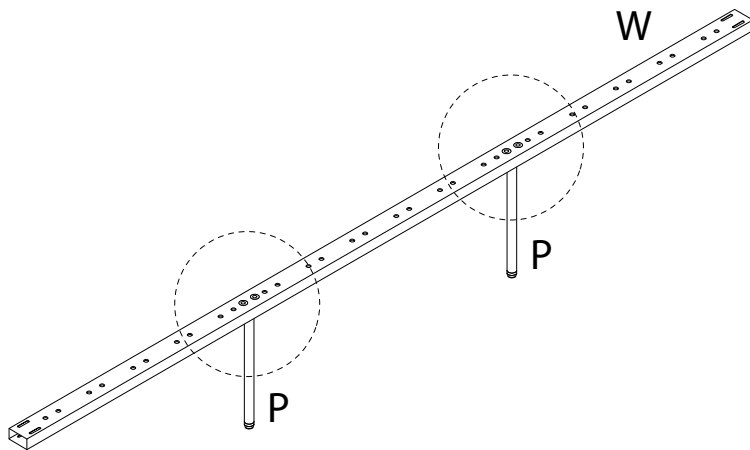
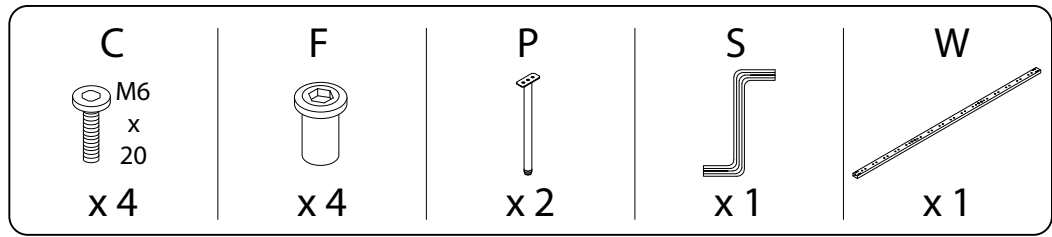
x 1



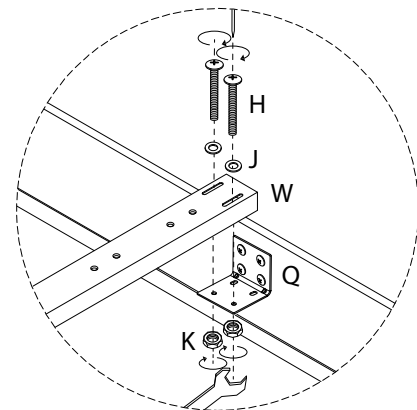
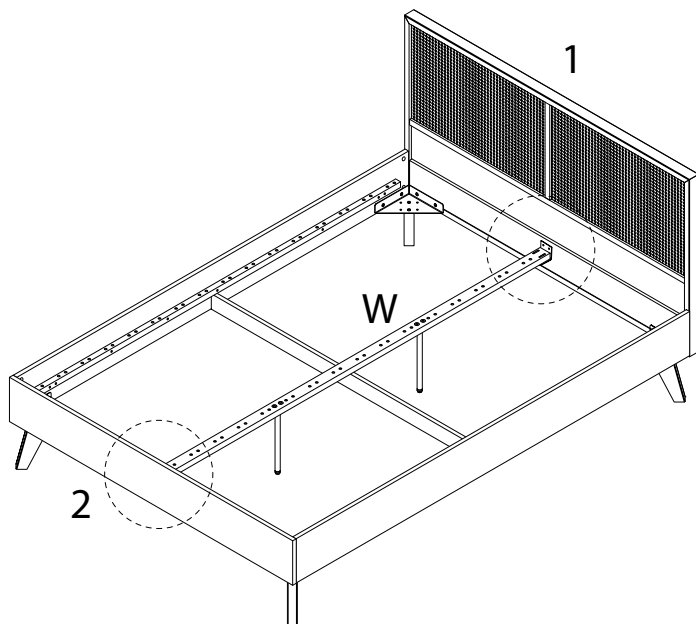
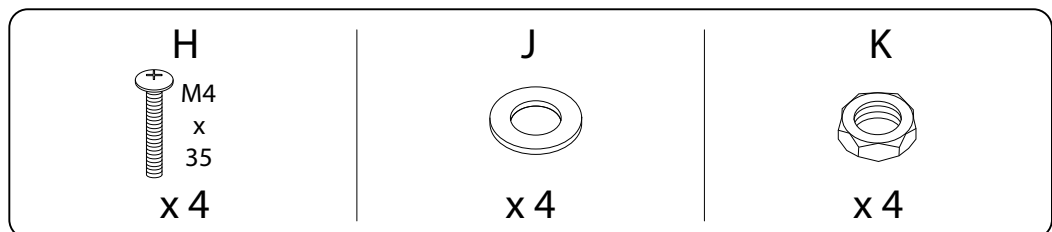
12



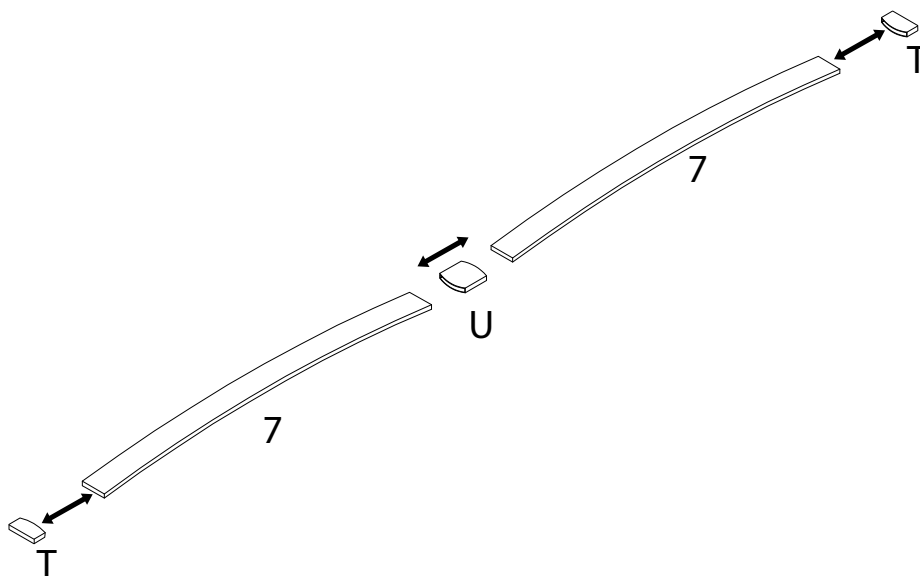
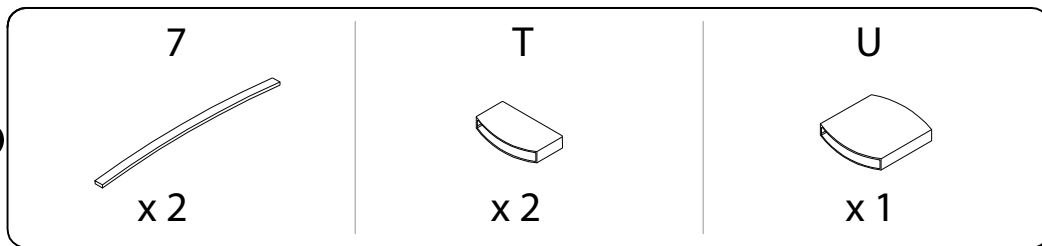
13



14



15 x 16



16

