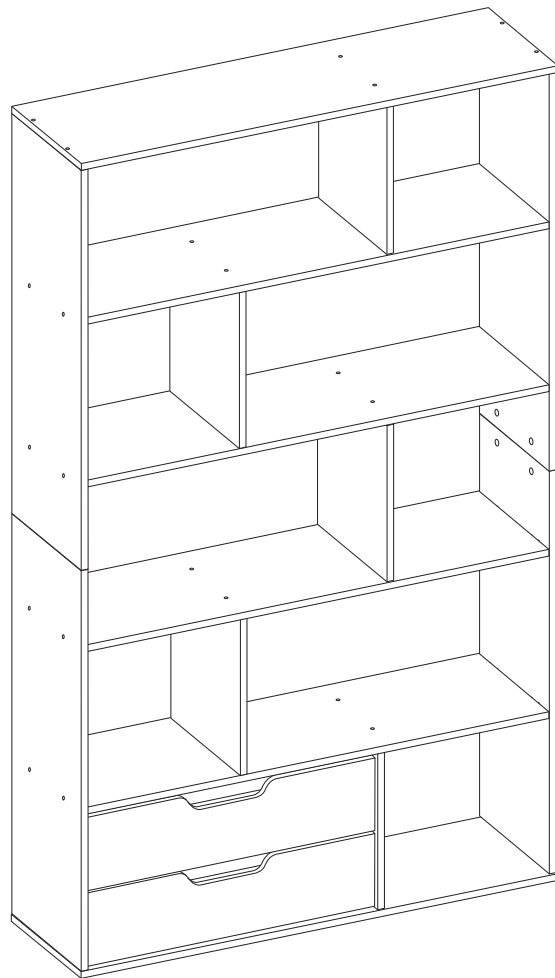
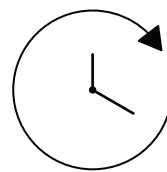
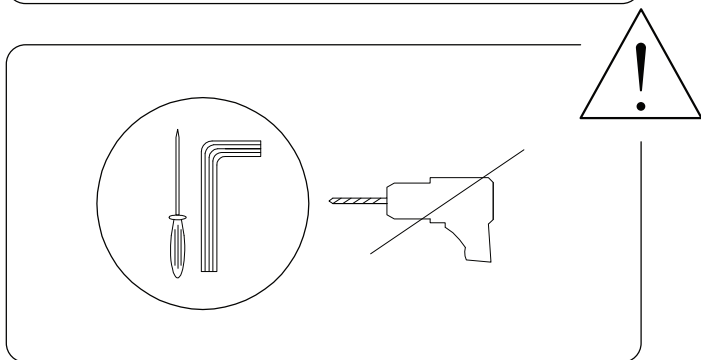
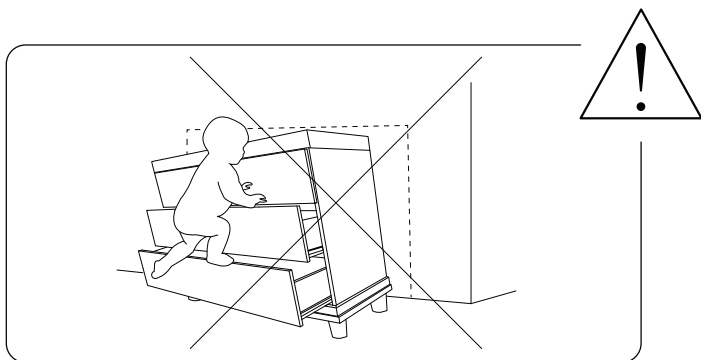
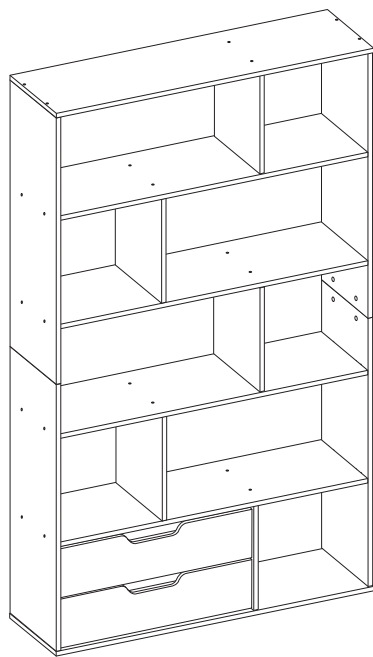
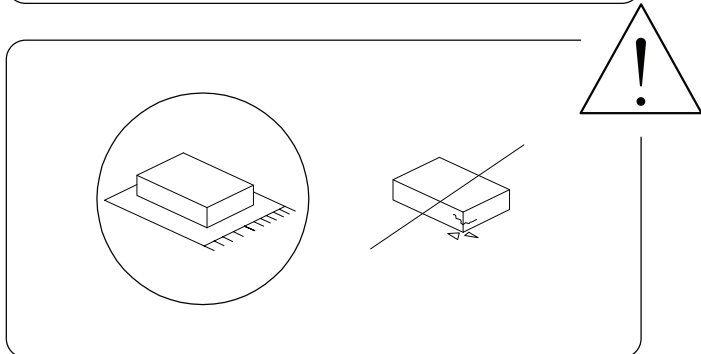


WADENA

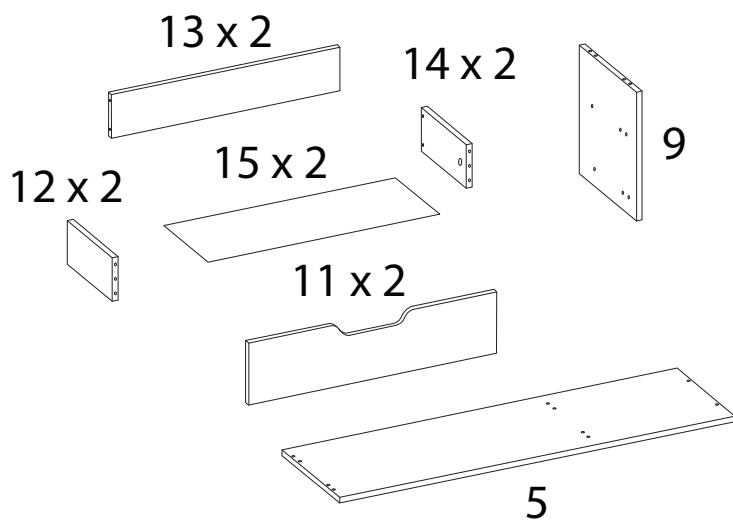
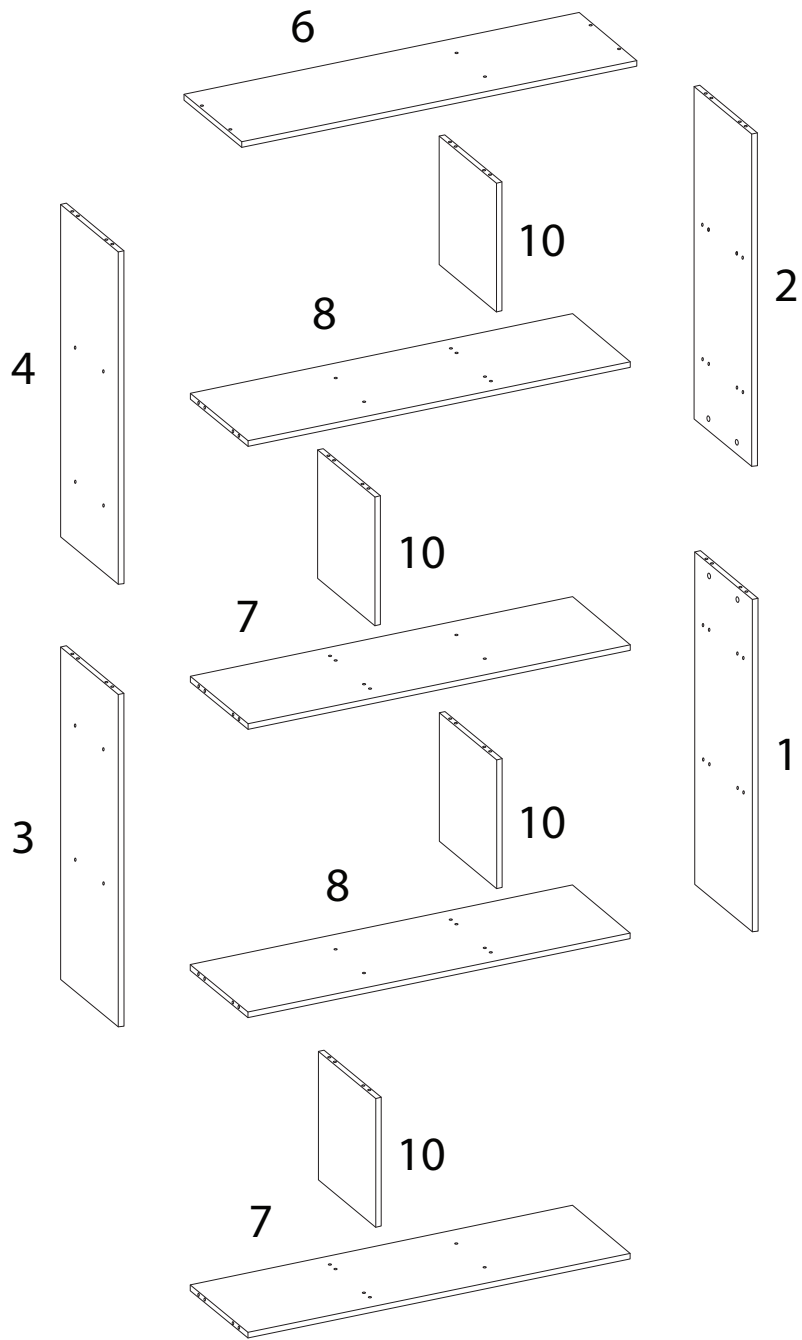




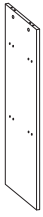
90'



2

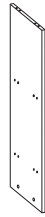


1



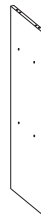
x 1

2



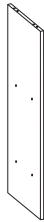
x 1

3



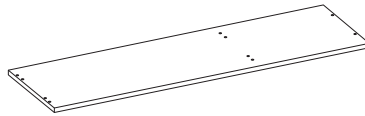
x 1

4



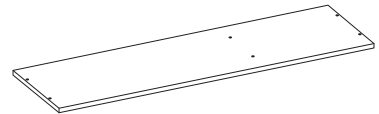
x 1

5



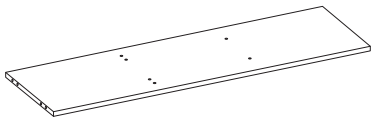
x 1

6



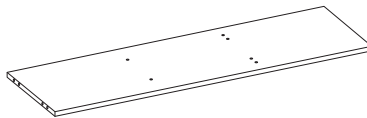
x 1

7



x 2

8



x 2

9



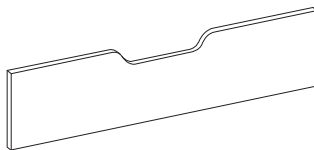
x 1

10



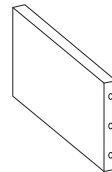
x 4

11



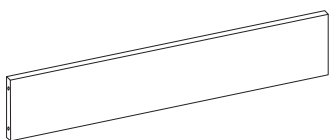
x 2

12



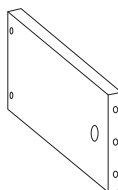
x 2

13



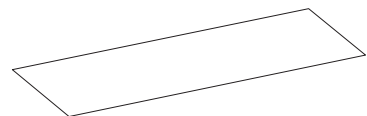
x 2

14

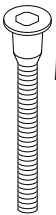


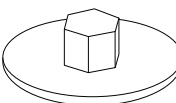
x 2

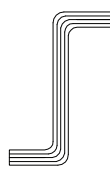
15





x 2


A1

M6.4
x
50
x 44

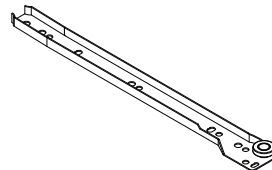
A2

x 44

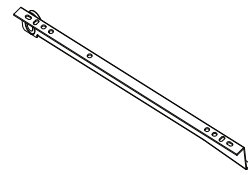
A3

x 1

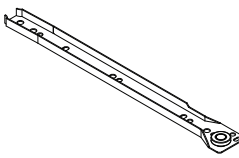
B

M8
x
30
x 60

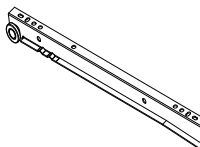
B2

M8
x
50
x 4

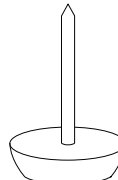
E

M3.5
x
16
x 20

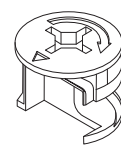
K4L1

x 2


K4L2

x 2


K4R1

x 2


K4R2

x 2

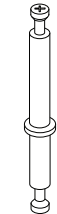
N2

x 6

R1

x 12

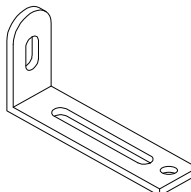
R2

x 4

R3

x 12

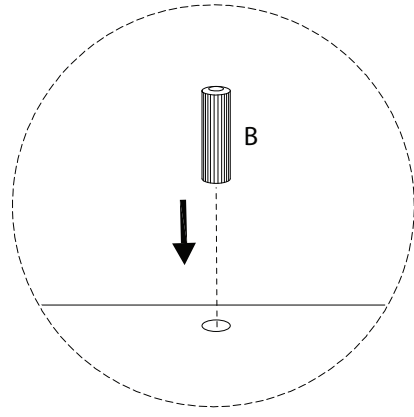
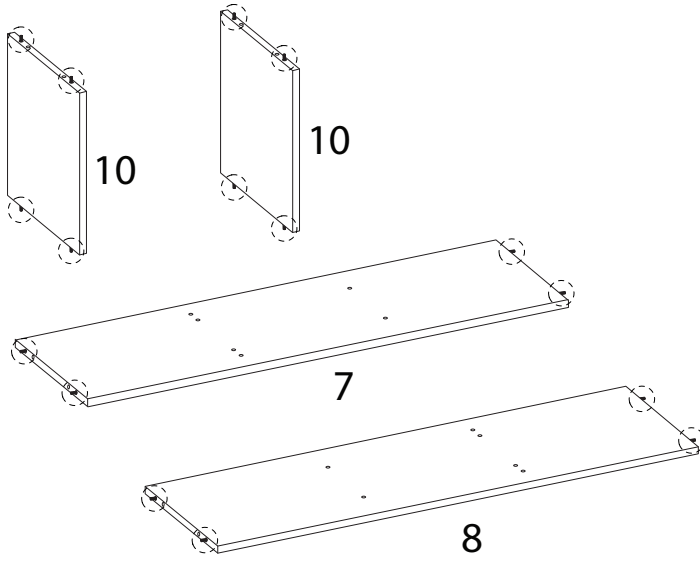
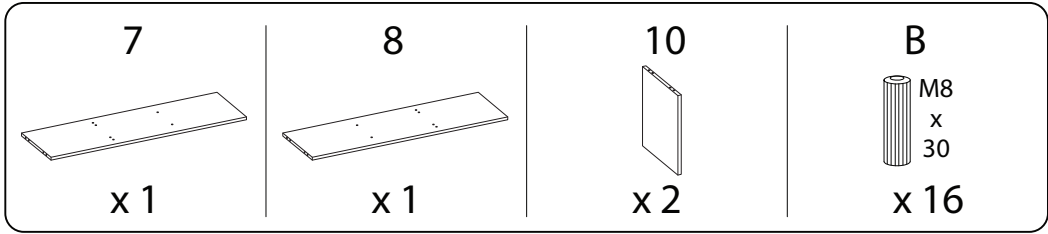
T

M6.3
x
13
x 8

16

x 4

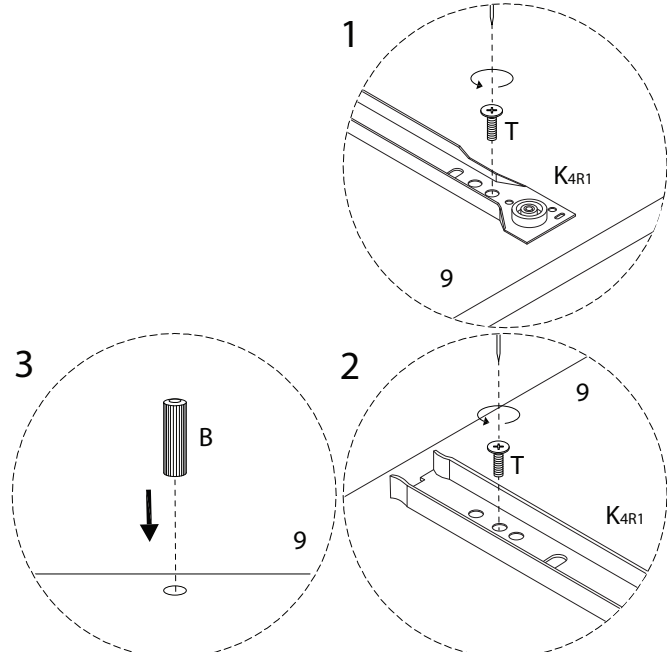
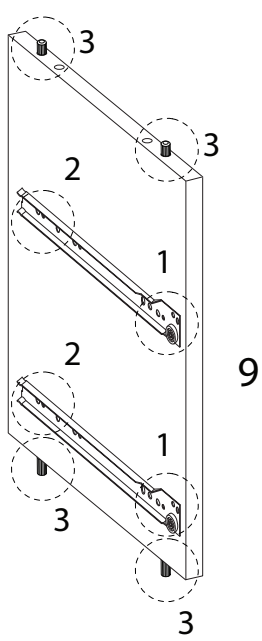
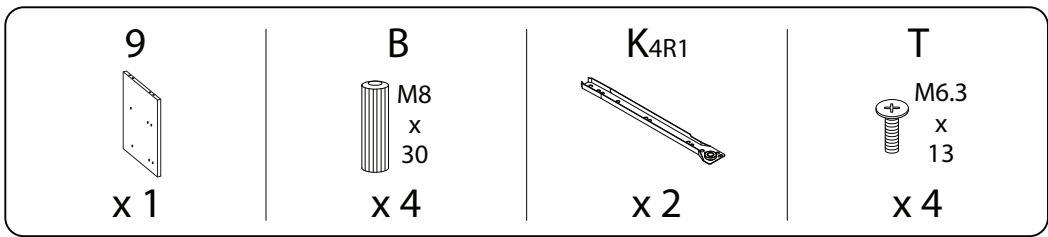
W3


x 1

1 x 2



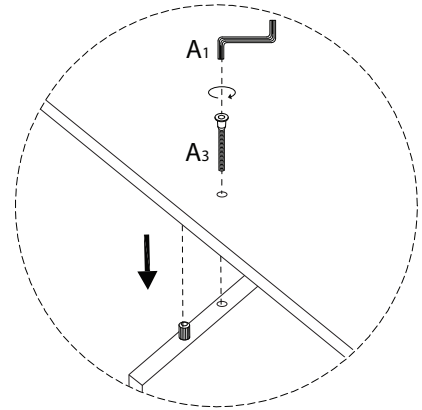
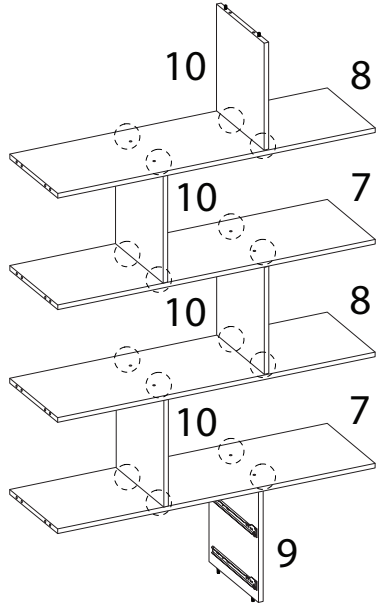
2



3

A1
M6.4
x
50
x 16

A3
x 1



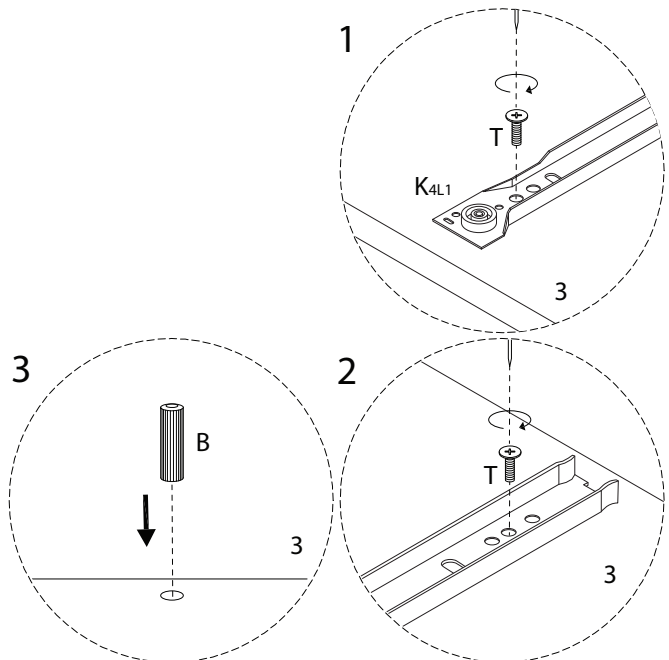
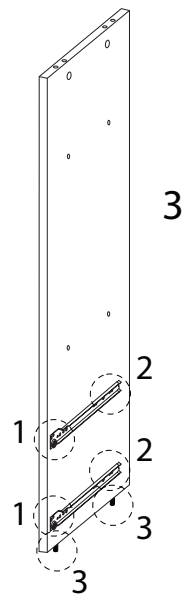
4

3
x 1

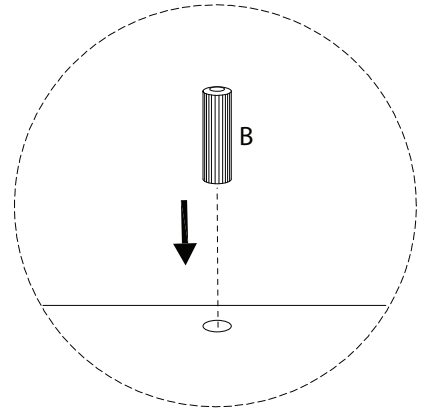
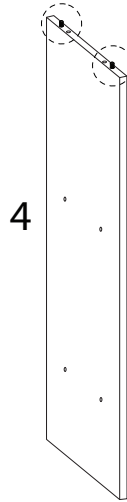
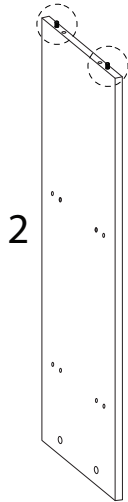
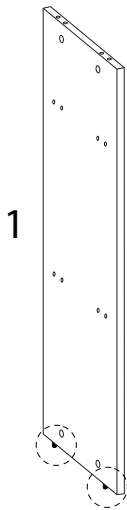
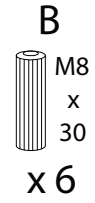
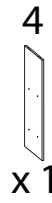
B
M8
x
30
x 2

K4L1
x 2

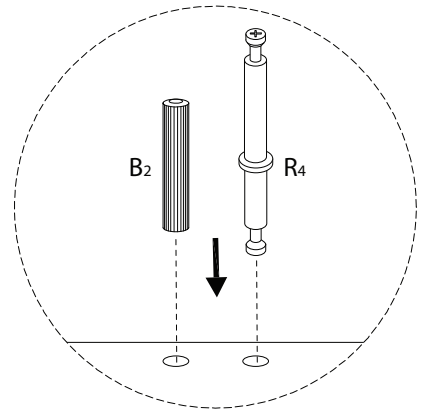
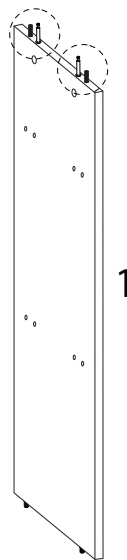
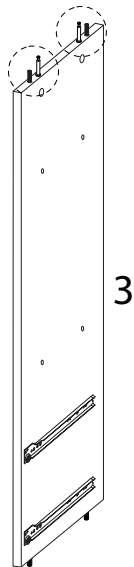
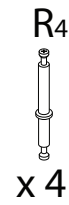
T
M6.3
x
13
x 4



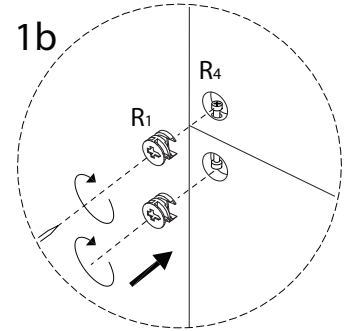
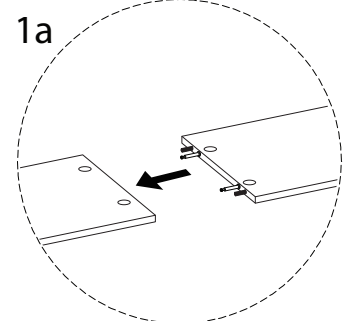
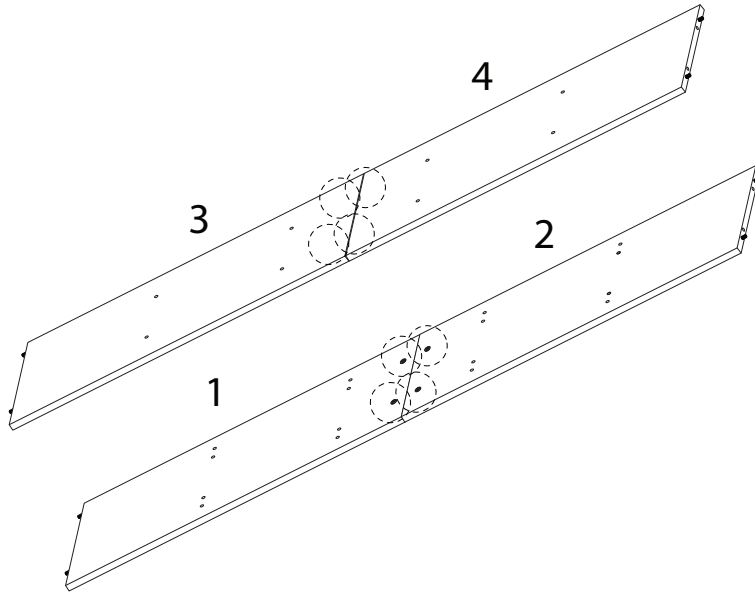
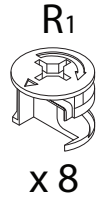
5



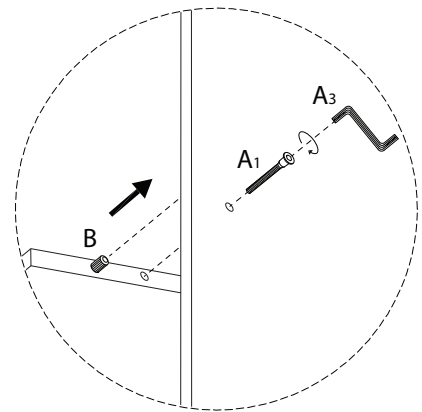
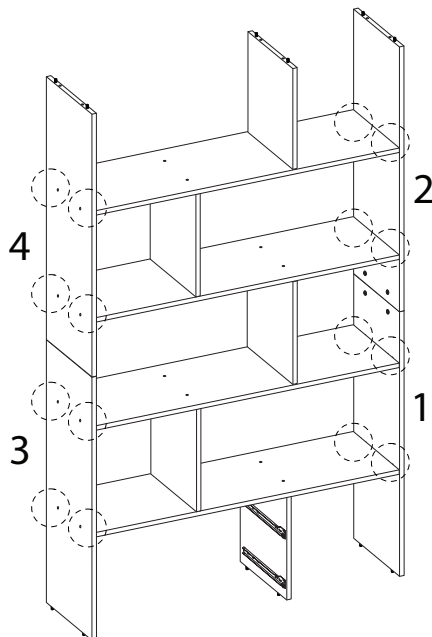
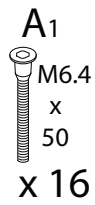
6



7



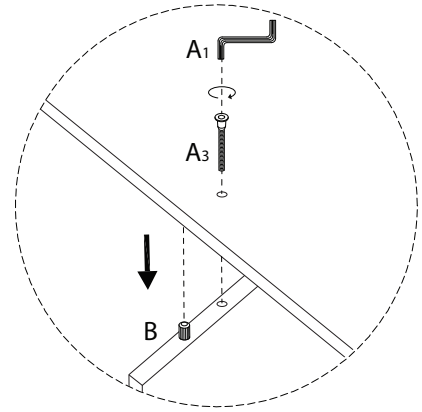
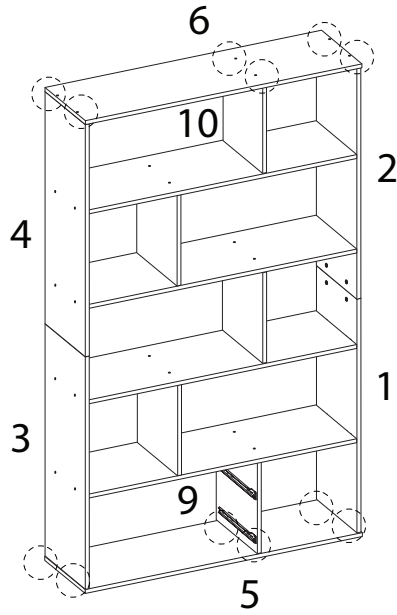
8



9

A1
M6.4
x
50
x 12

A3
x 1



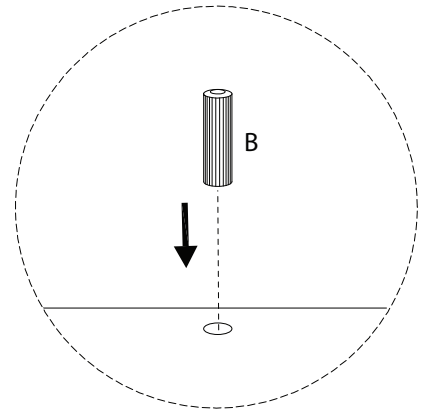
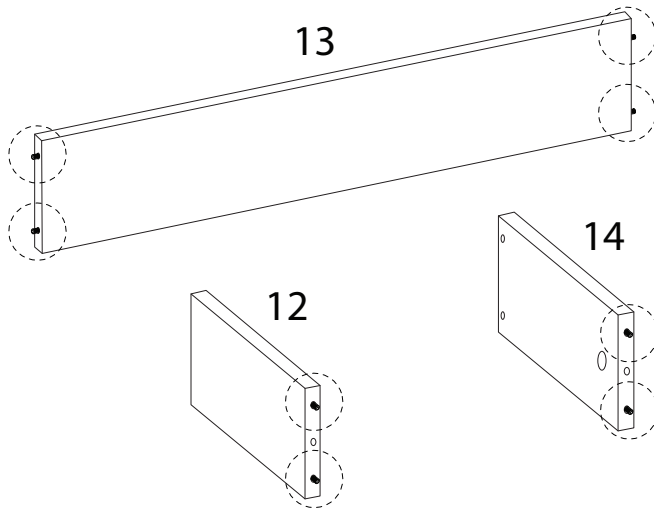
10 x 2

12
x 1

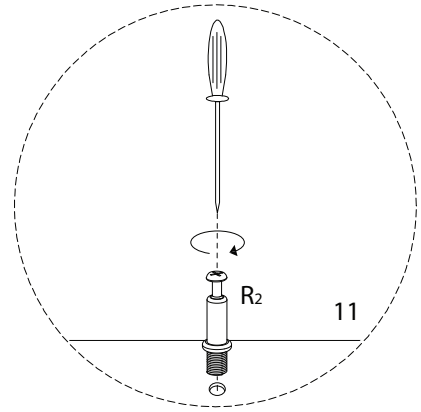
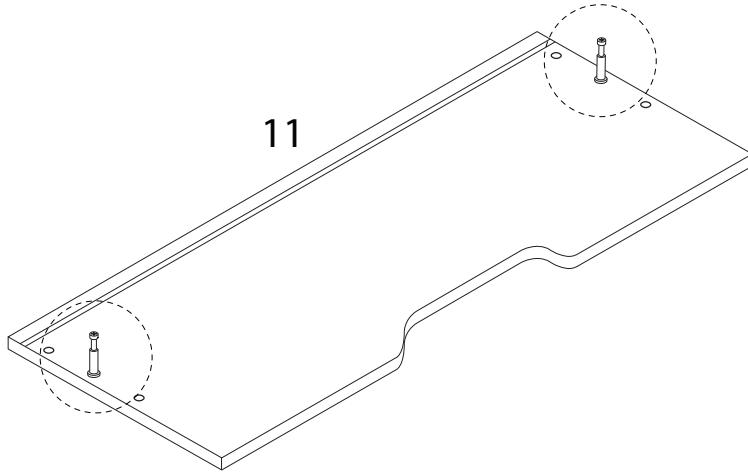
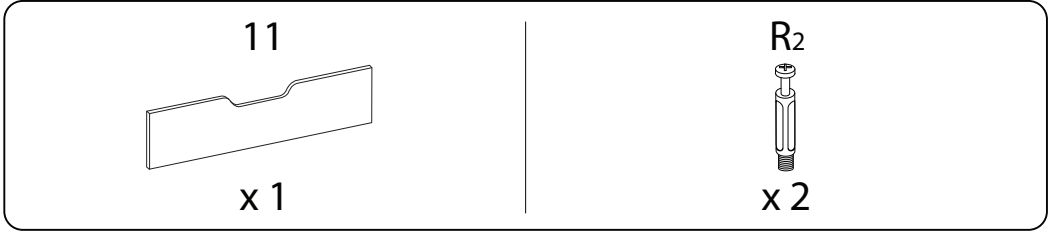
13
x 1

14
x 1

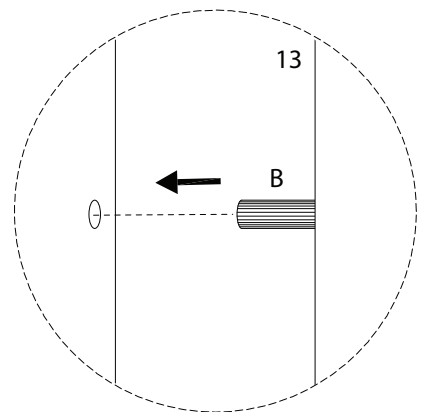
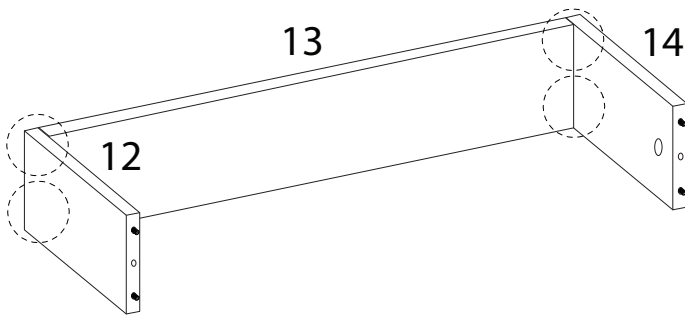
B
M8
x
30
x 8



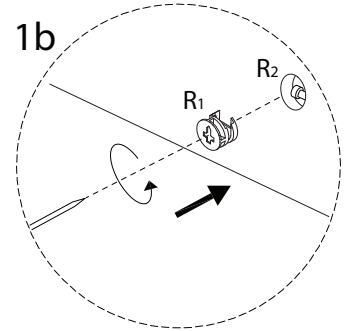
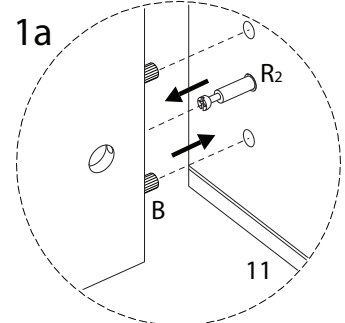
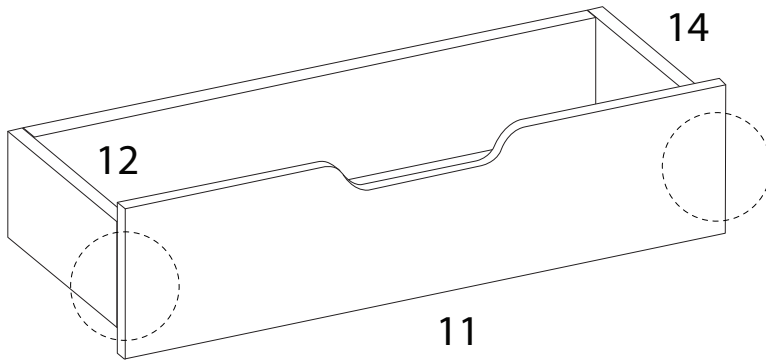
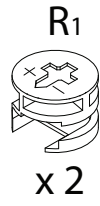
11 x 2



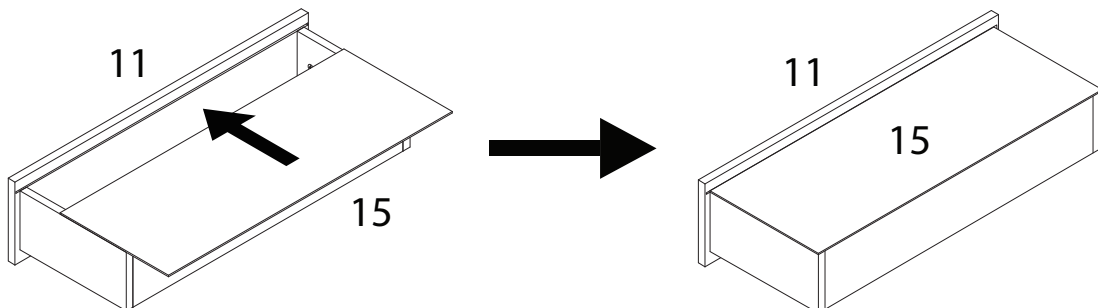
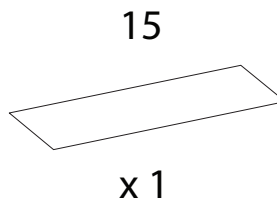
12 x 2



13 x 2



14 x 2

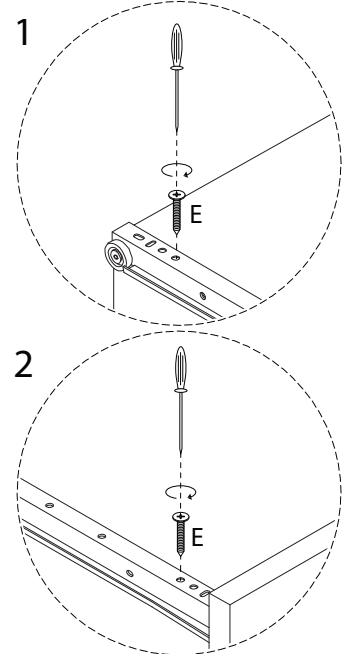
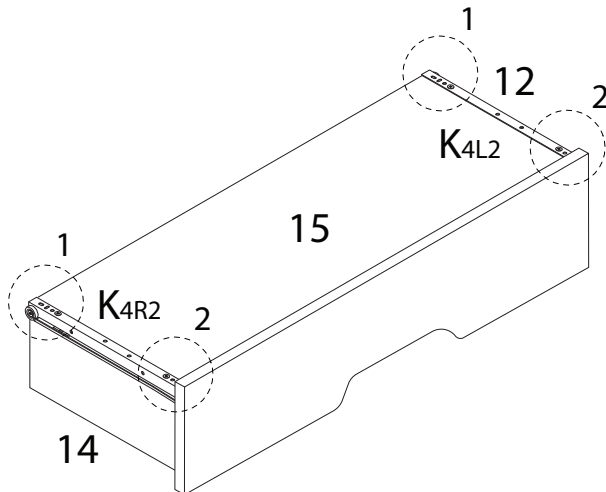


15 x 2

E
M3.5
x
16
x 4

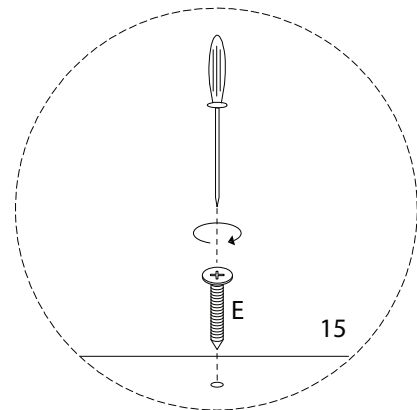
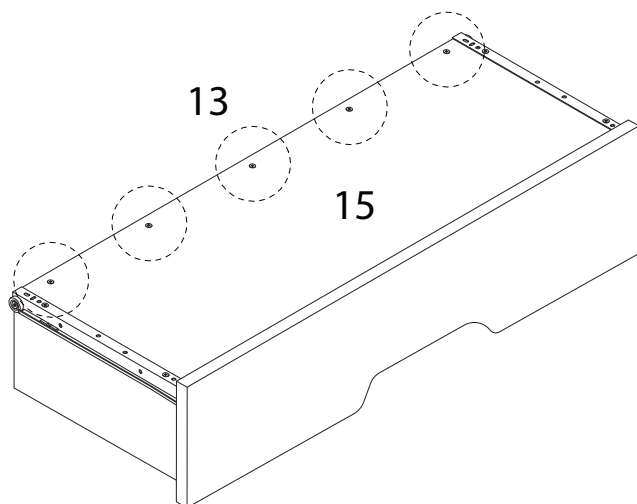
K4L2
x 1

K4R2
x 1



16 x 2

E
M3.5
x
16
x 5

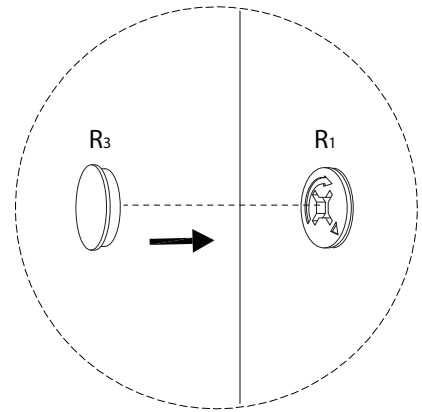
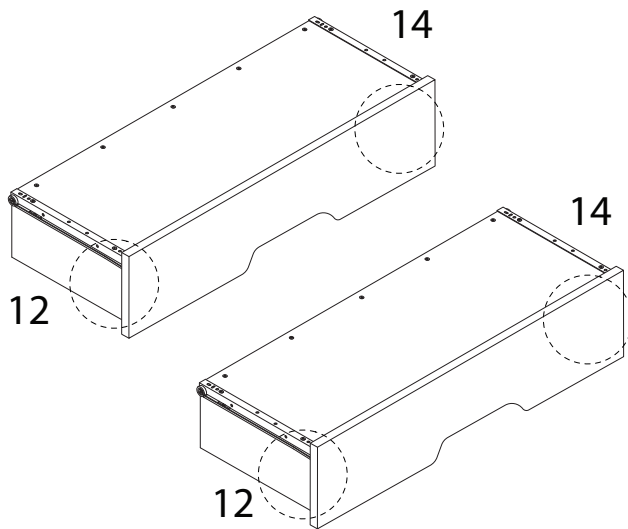


17

R3



x 4

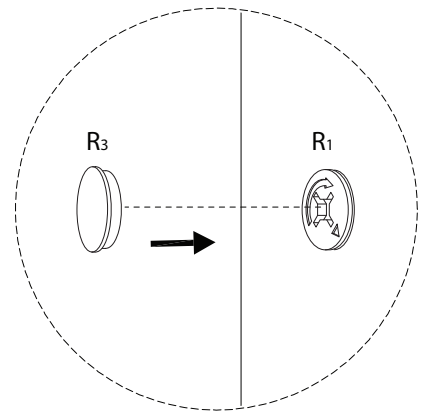
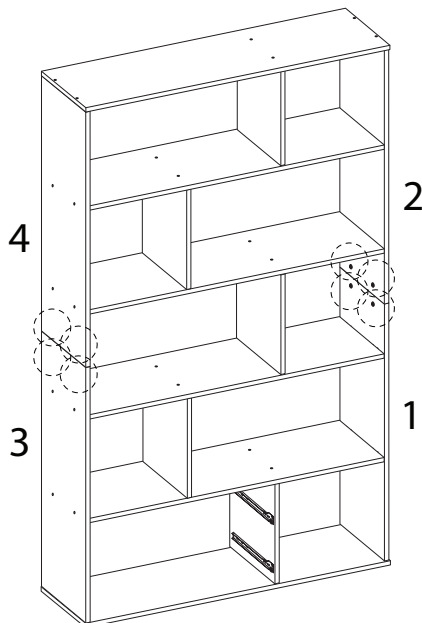


18

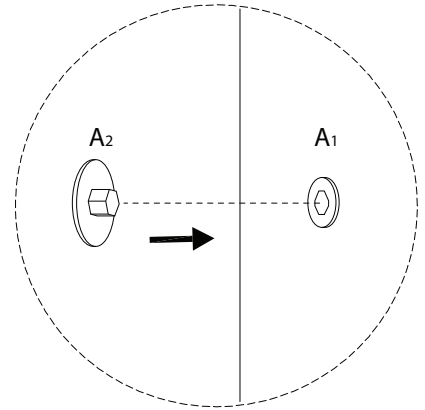
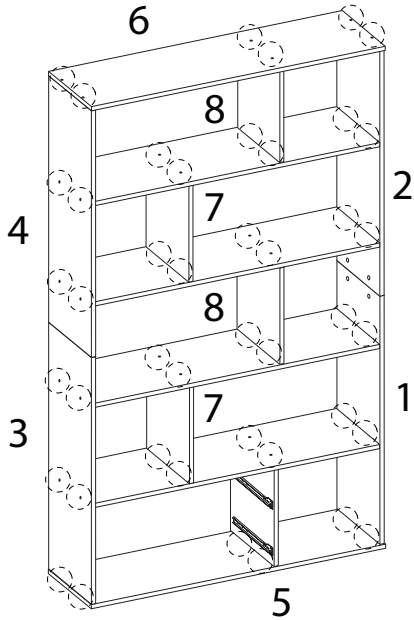
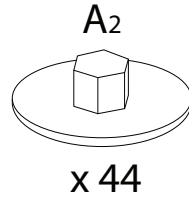
R3



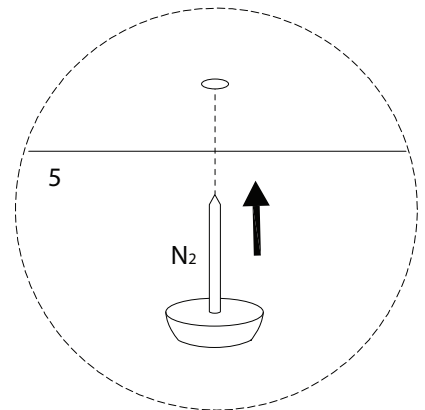
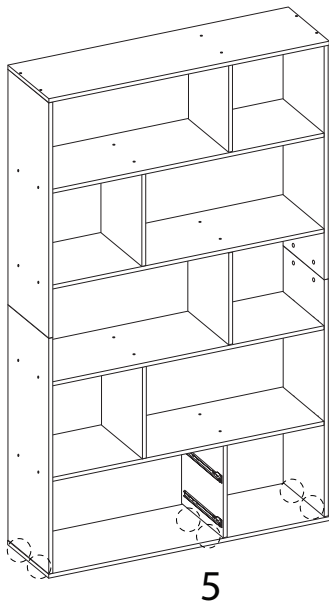
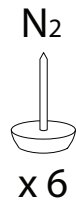
x 8



19



20

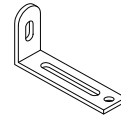


21

E
M3.5
x
16
x 2

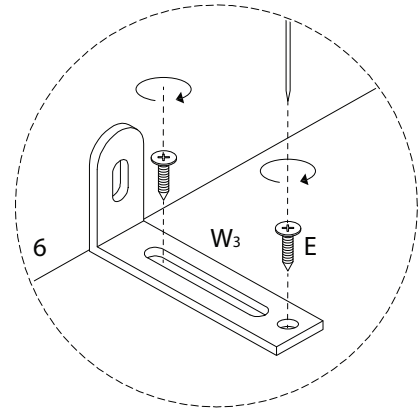
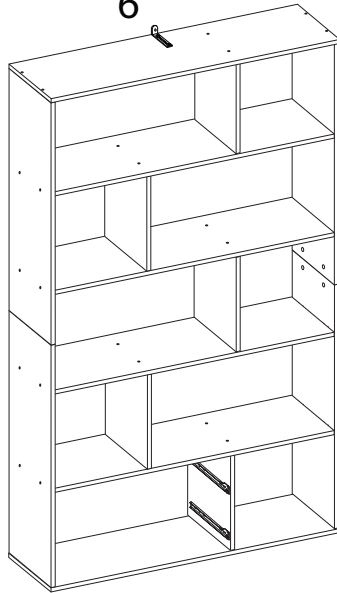


W3

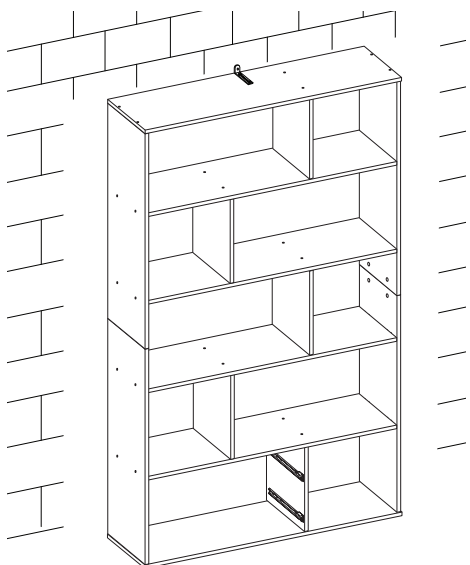


x 1

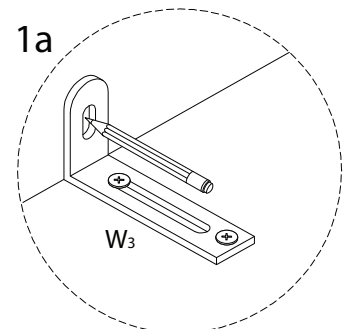
6



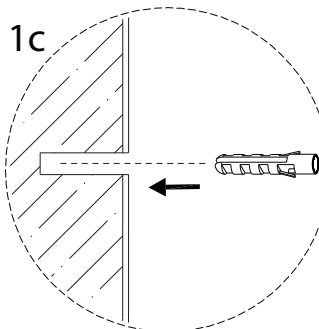
!



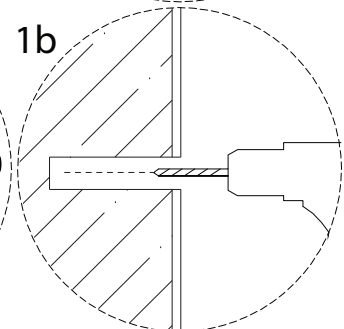
1a



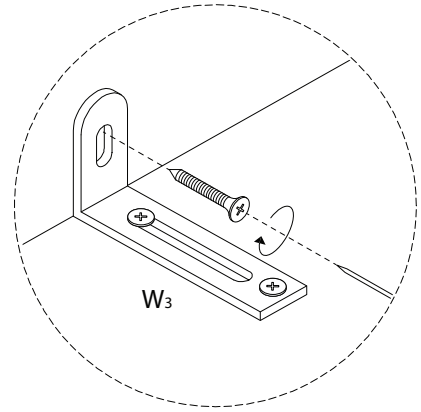
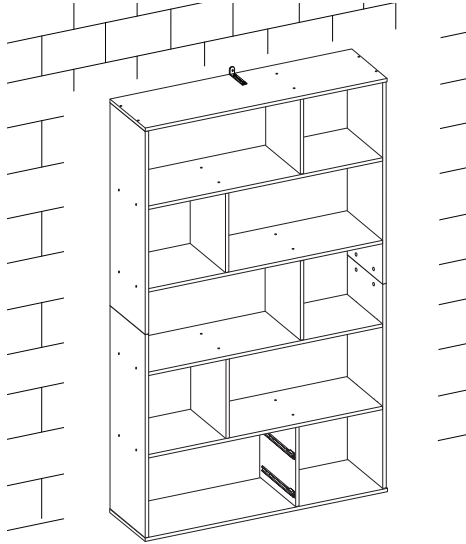
1c



1b



!



22

