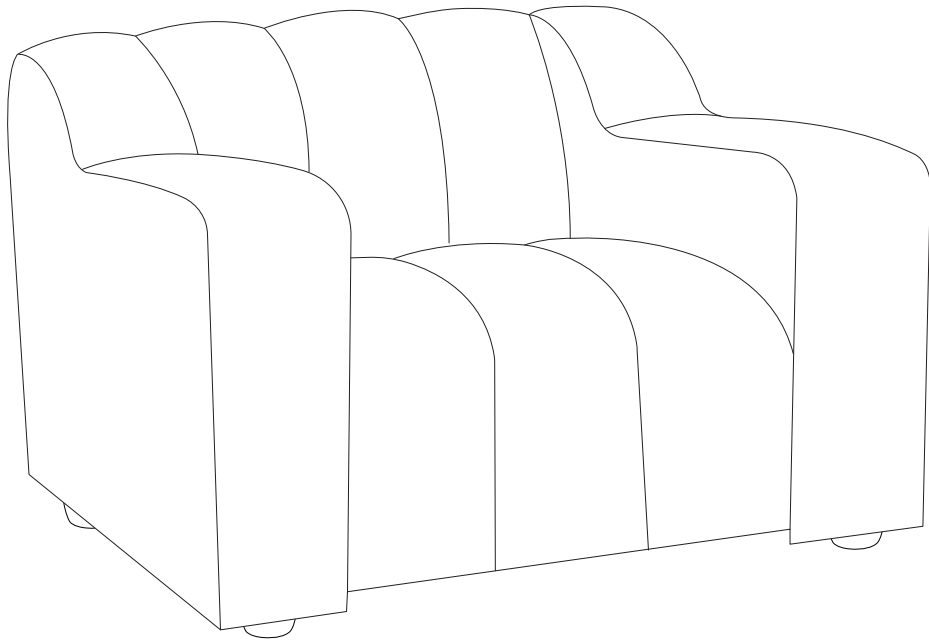
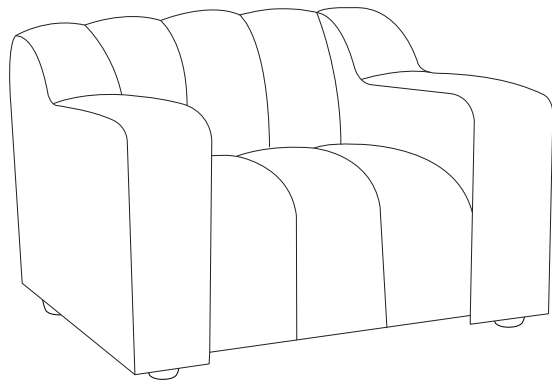
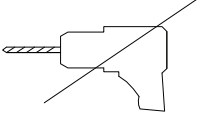

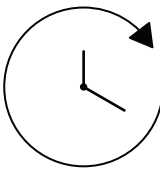
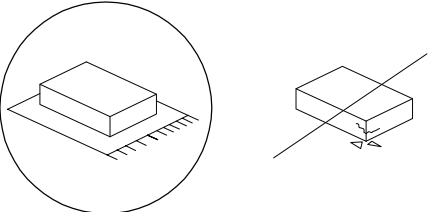

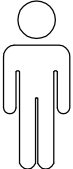


AGERUP



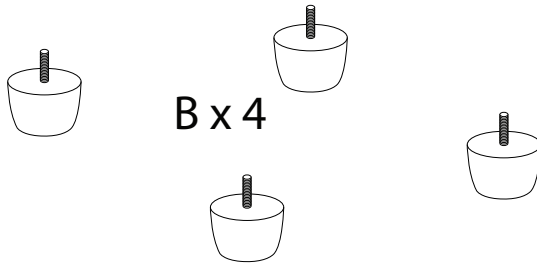
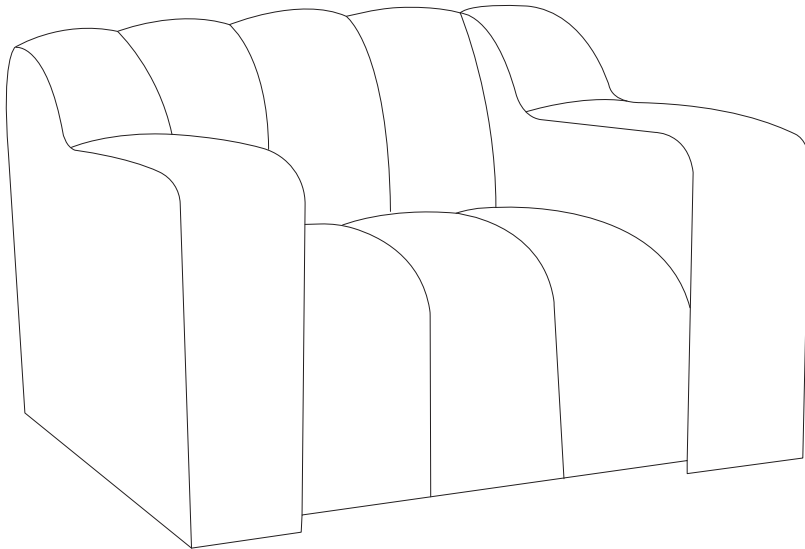


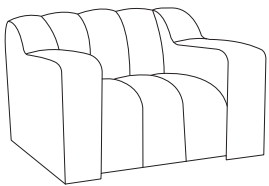
5'

1

A

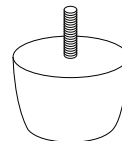


A



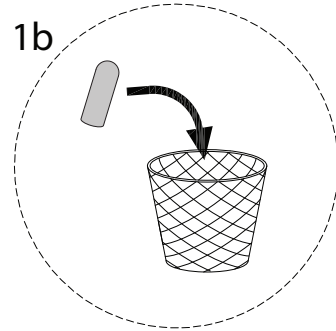
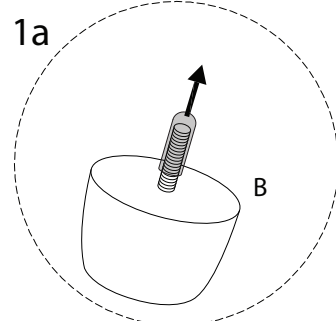
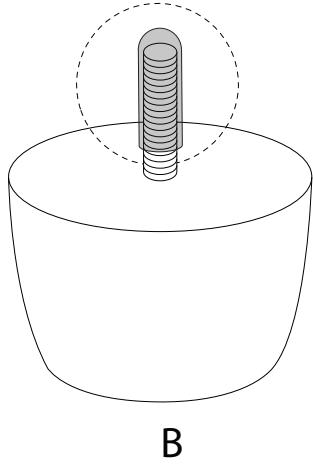
x 1

B



x 4

!



1

