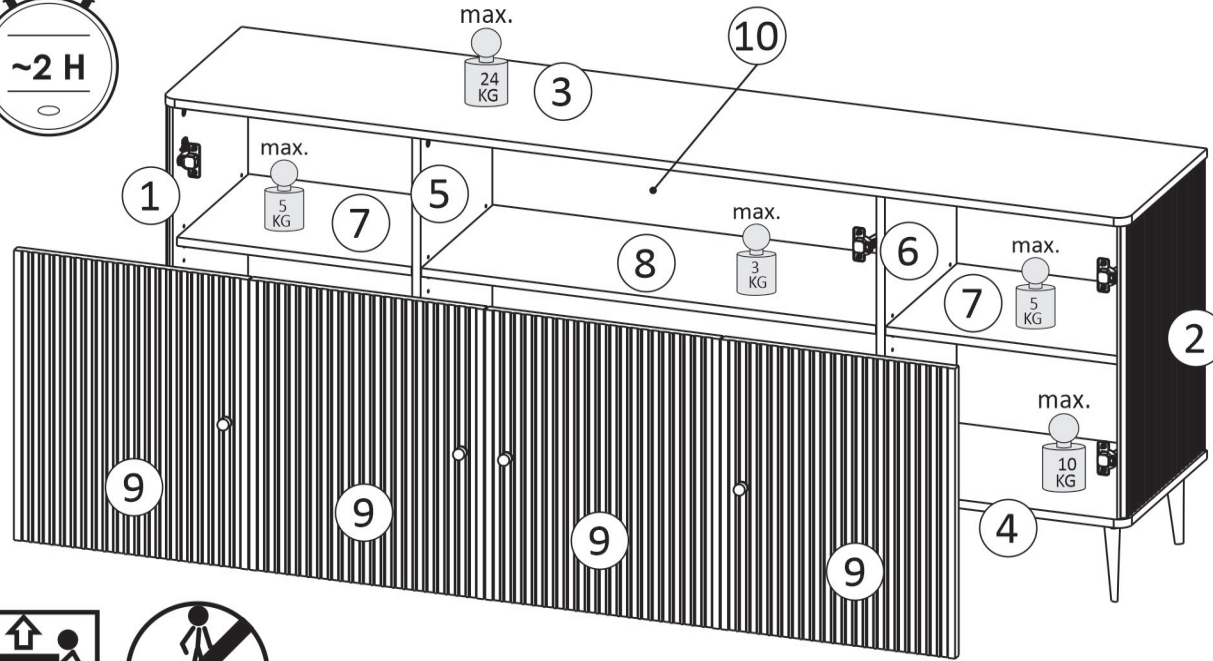
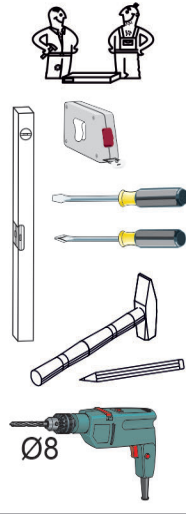
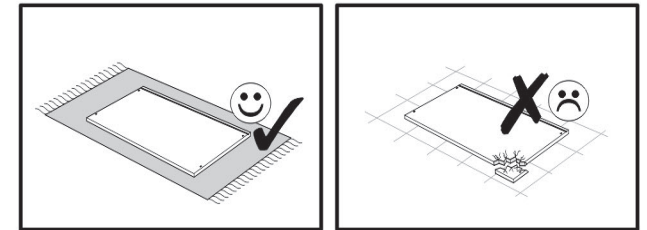
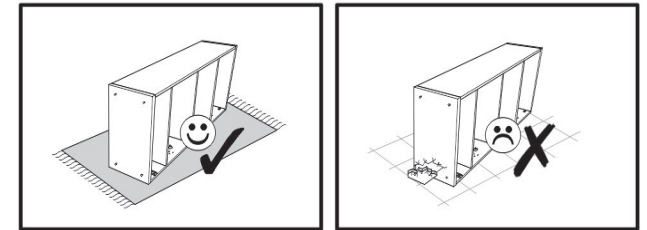


# SINEAD BUFFET

1/10



1	548	396	16	x	1	2/2
2	548	396	16	x	1	2/2
3	1822	400	16	x	1	1/2
4	1822	400	16	x	1	1/2
5	548	358	16	x	1	2/2
6	548	358	16	x	1	2/2
7	427	358	16	x	2	1/2
8	890	358	16	x	1	1/2
9	542	442	18	x	4	2/2
10	281	1796	3	x	1	1/2



1

<b>K2</b>	<b>T1</b>	<b>M1</b>	<b>S10</b>	<b>W4</b>	<b>P2</b>	<b>S8</b>	<b>Z1</b>	<b>K11</b>	<b>K7</b>
x16	x8	x8	3x18 x12	x12	3,5x18 x8	US 4x25 x18	x8	x8	x1

2

<b>Z7</b>	<b>S3</b>
x8	4x13 x16

3

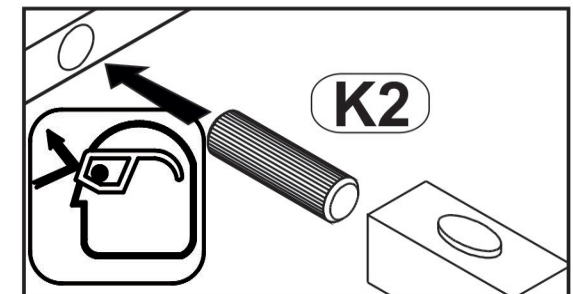
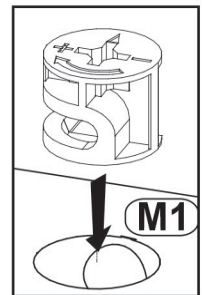
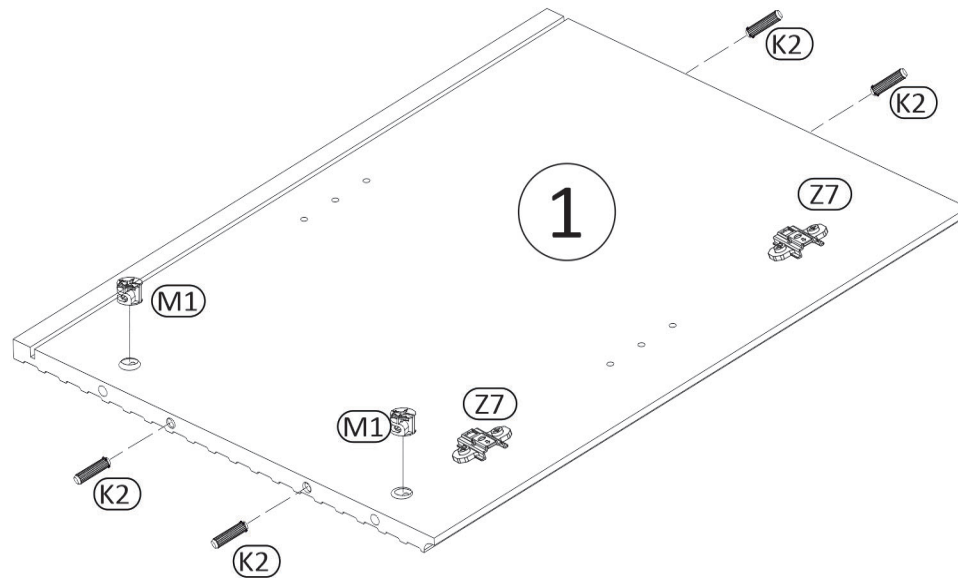
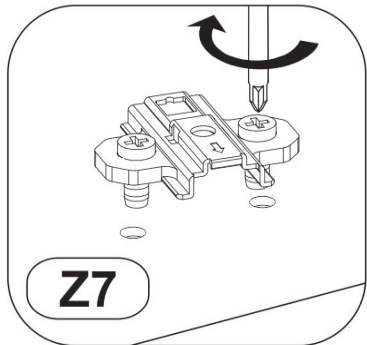
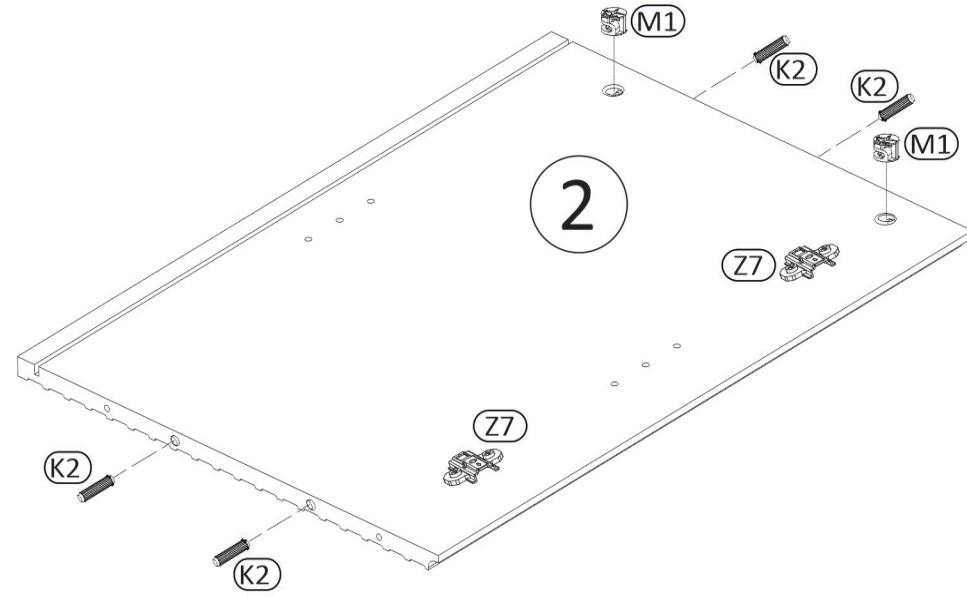
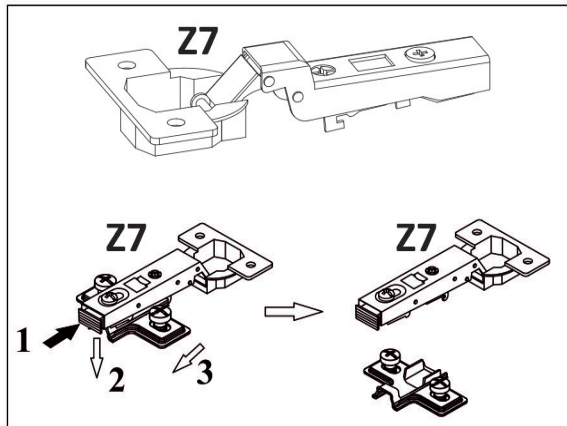
<b>B5</b>
x1

4

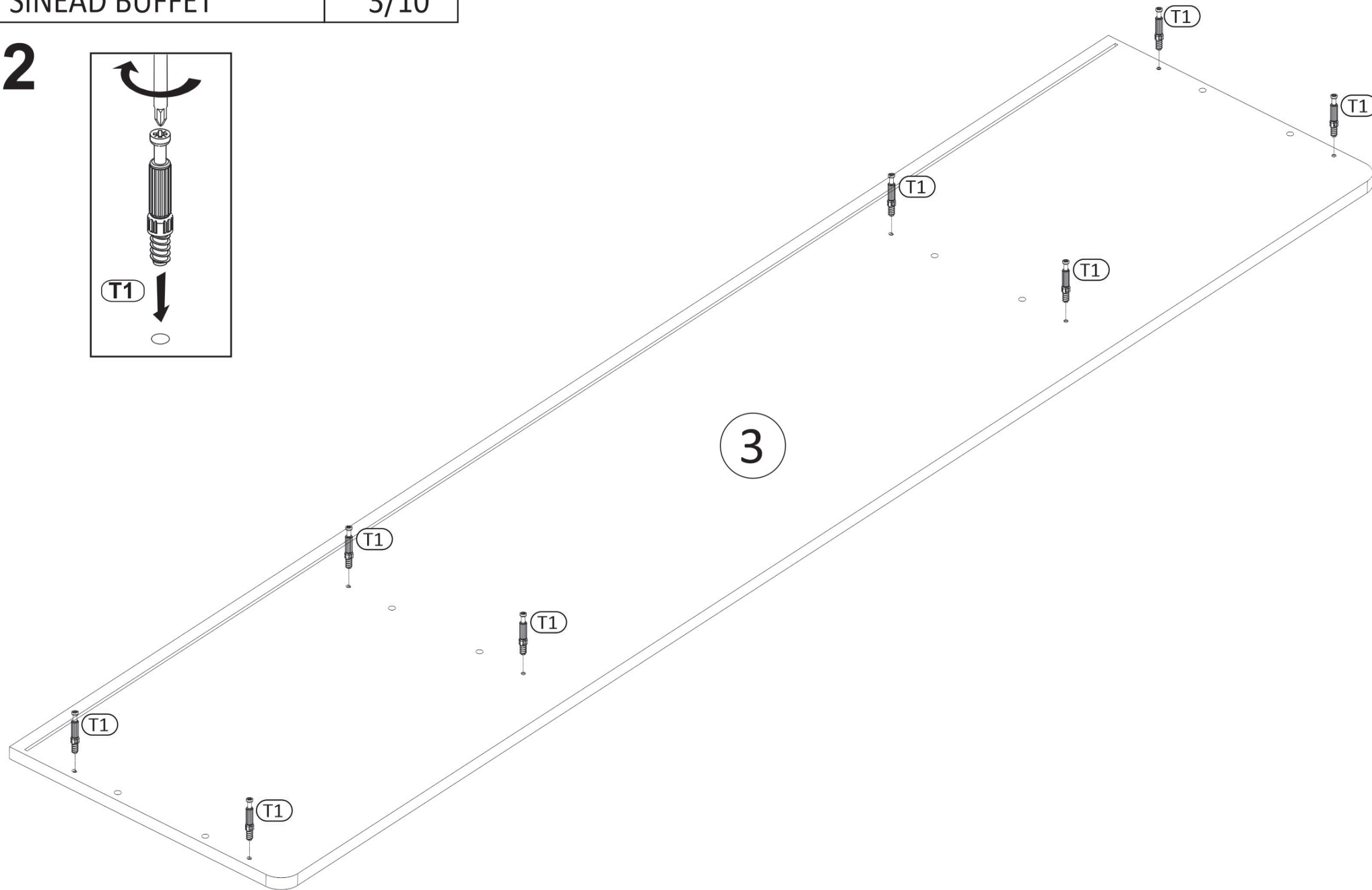
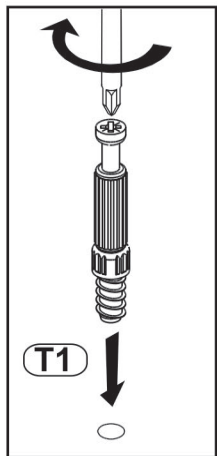
<b>U11</b>	<b>W11</b>
x4	4x25 x4

<b>St1</b>
x6

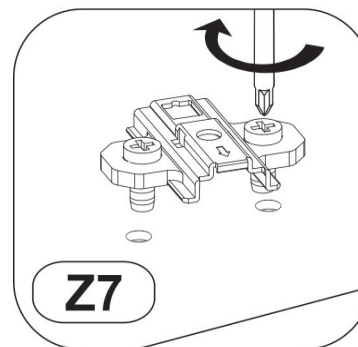
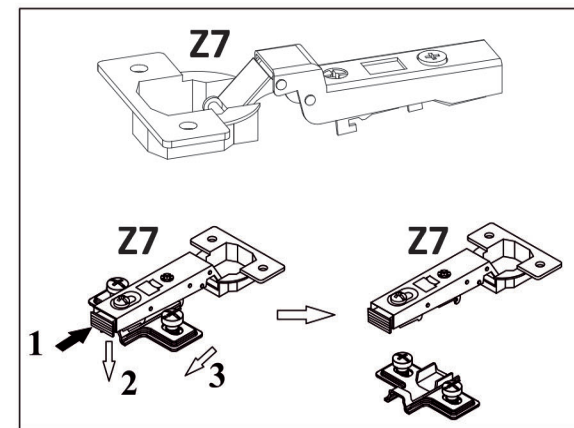
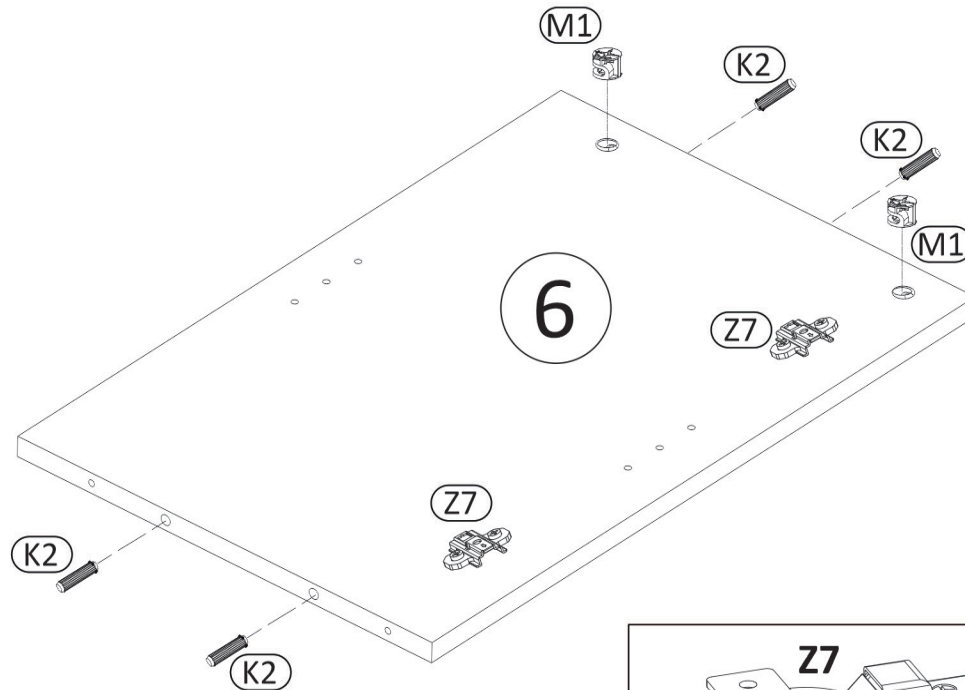
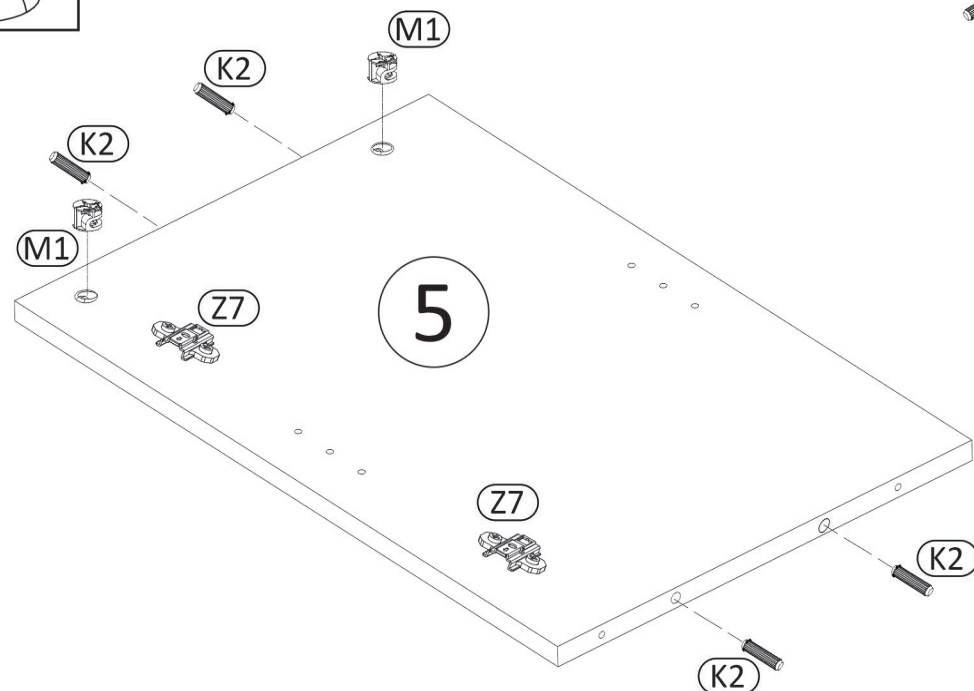
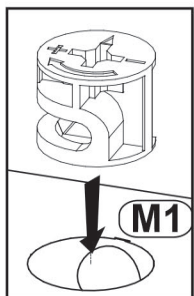
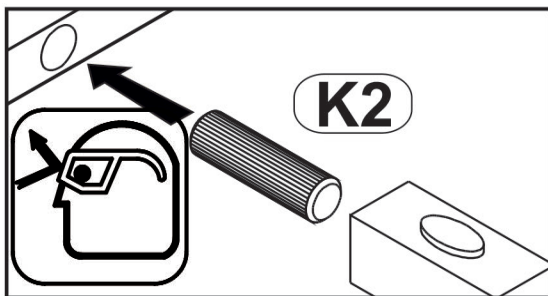
1



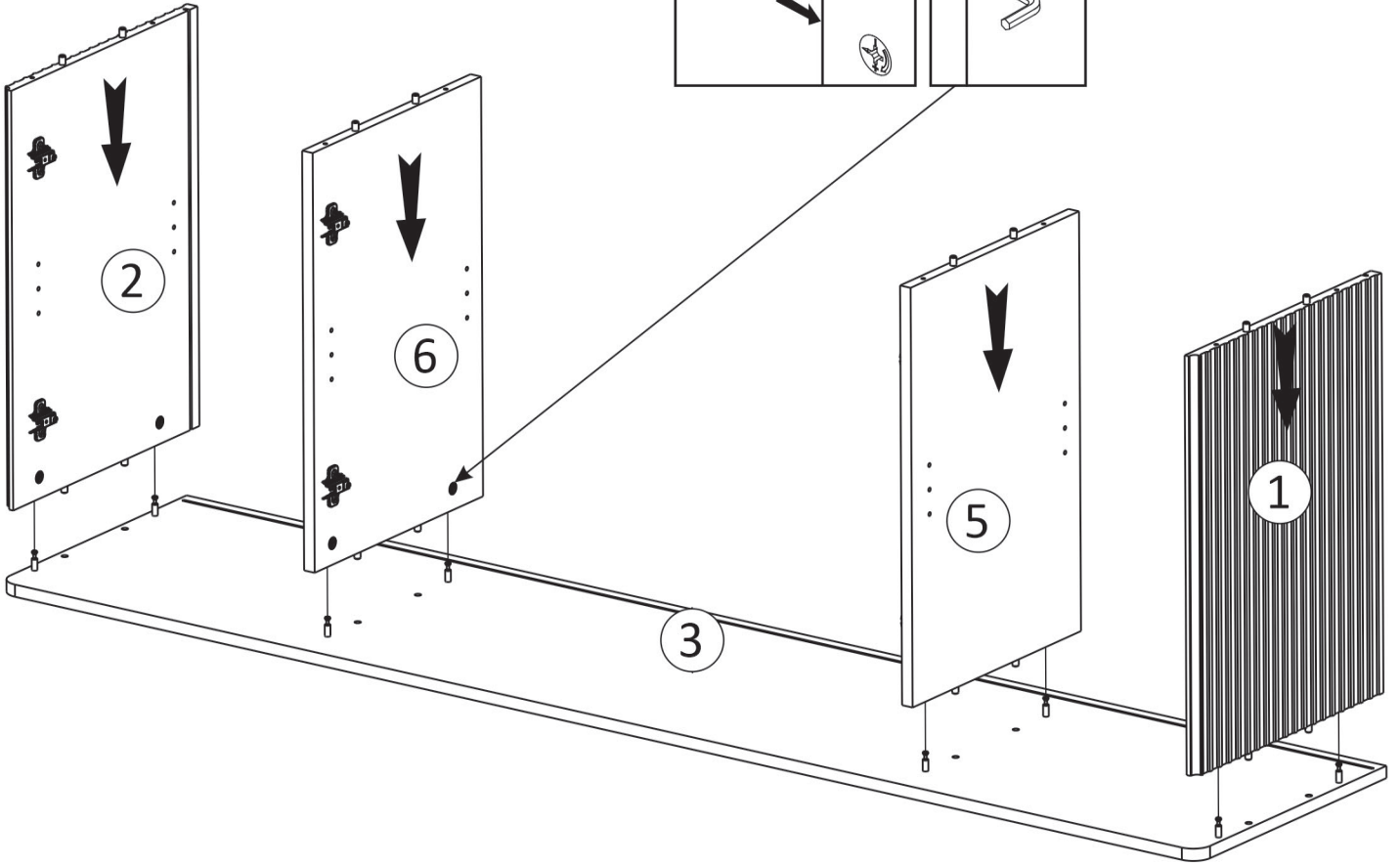
2



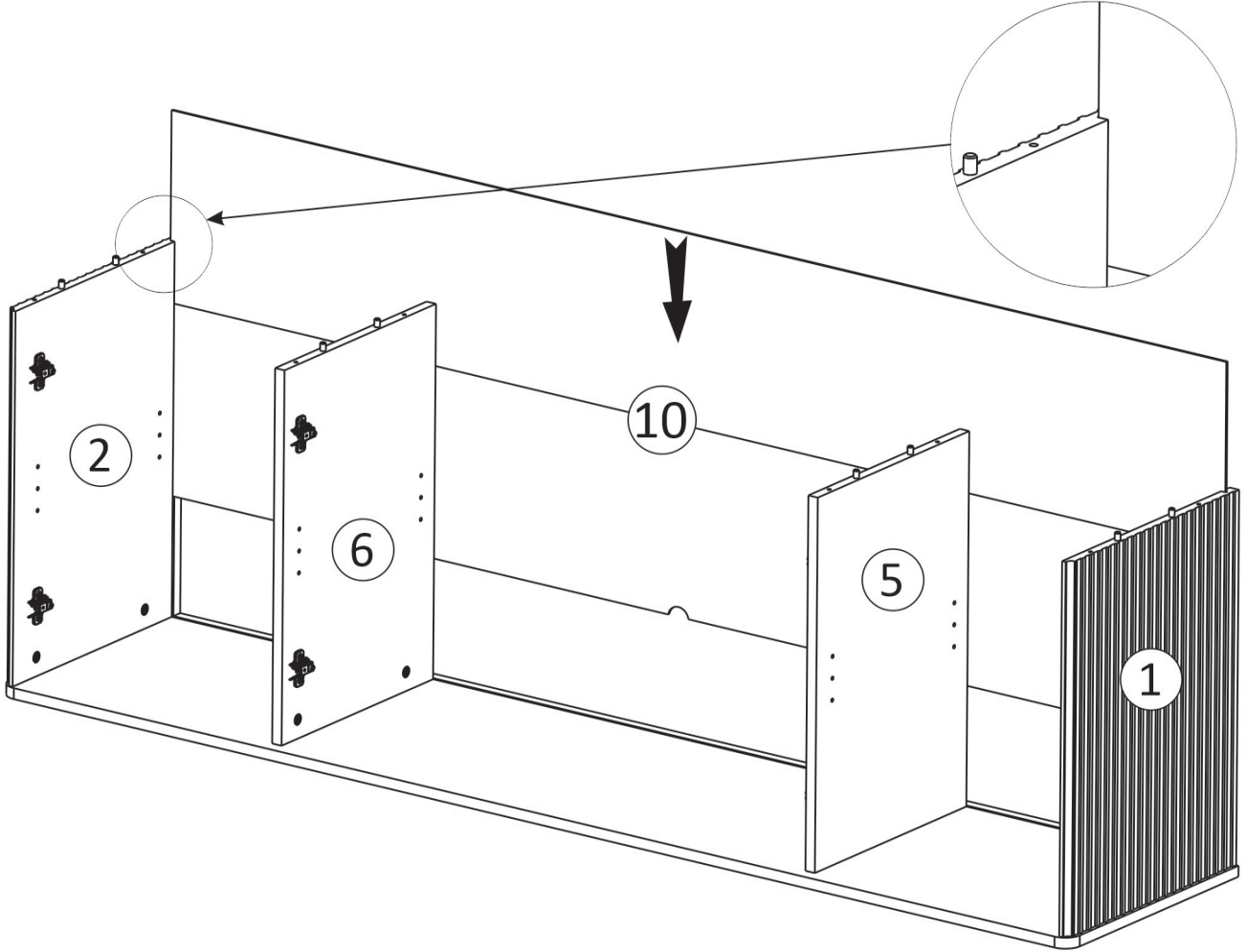
3



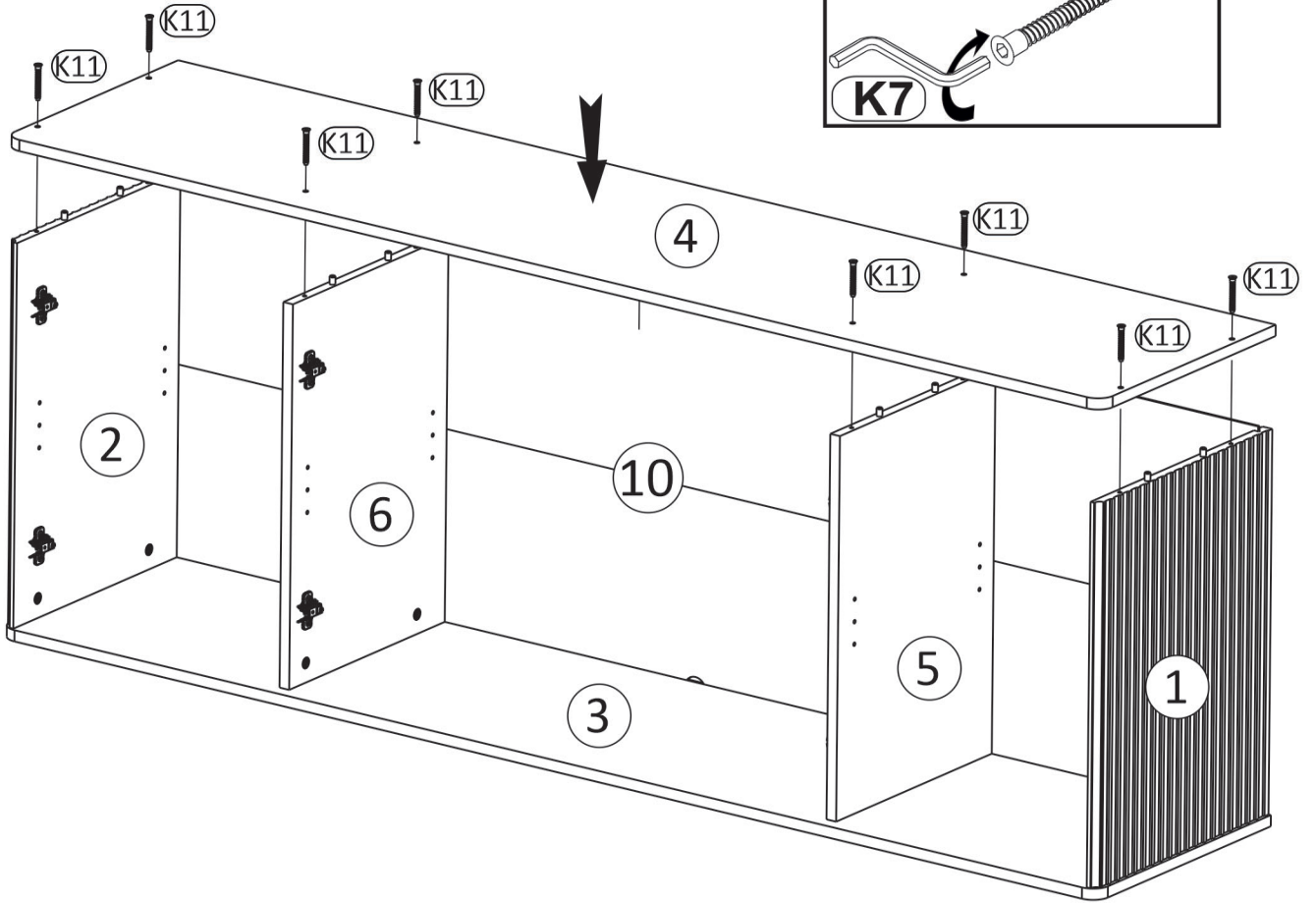
4



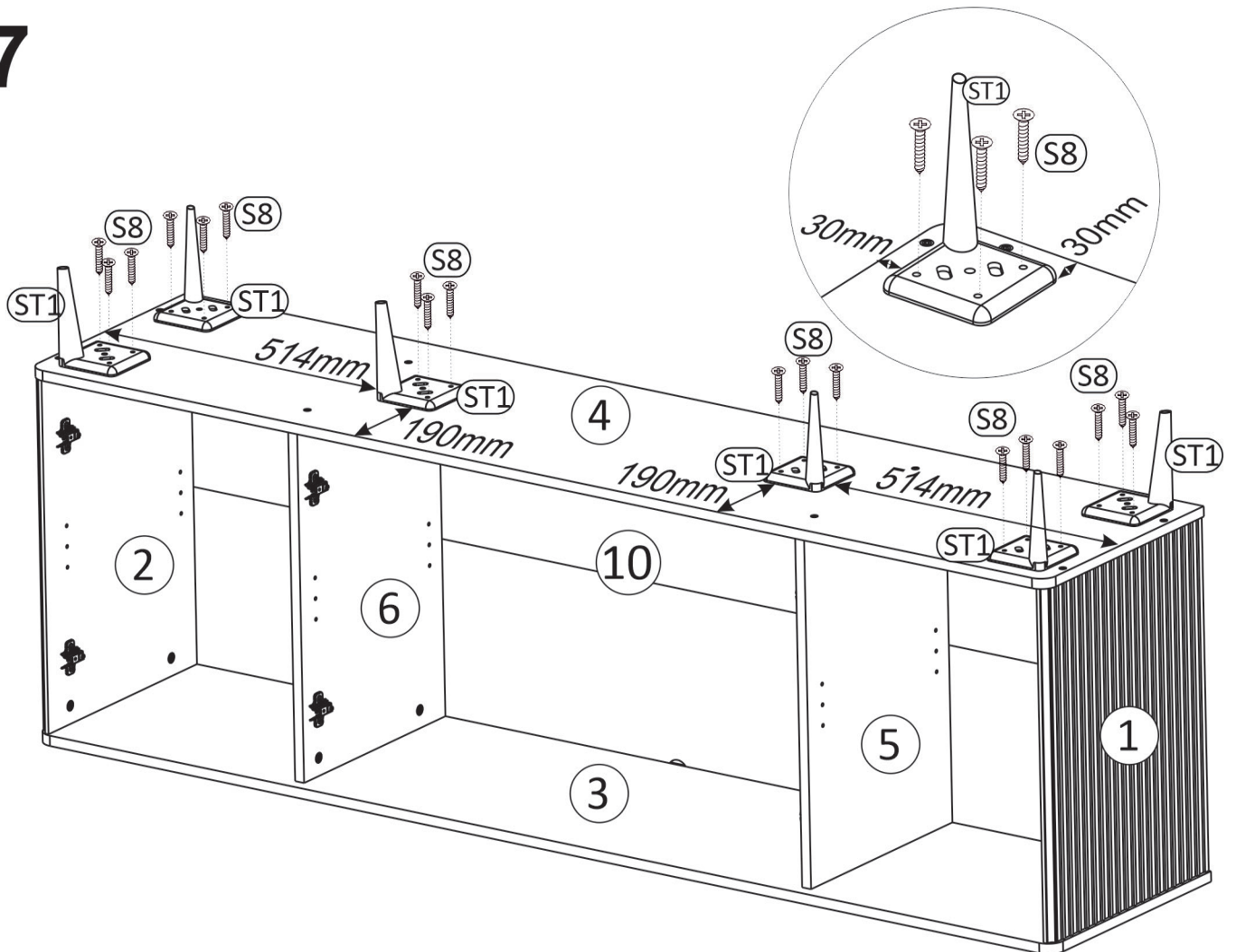
5



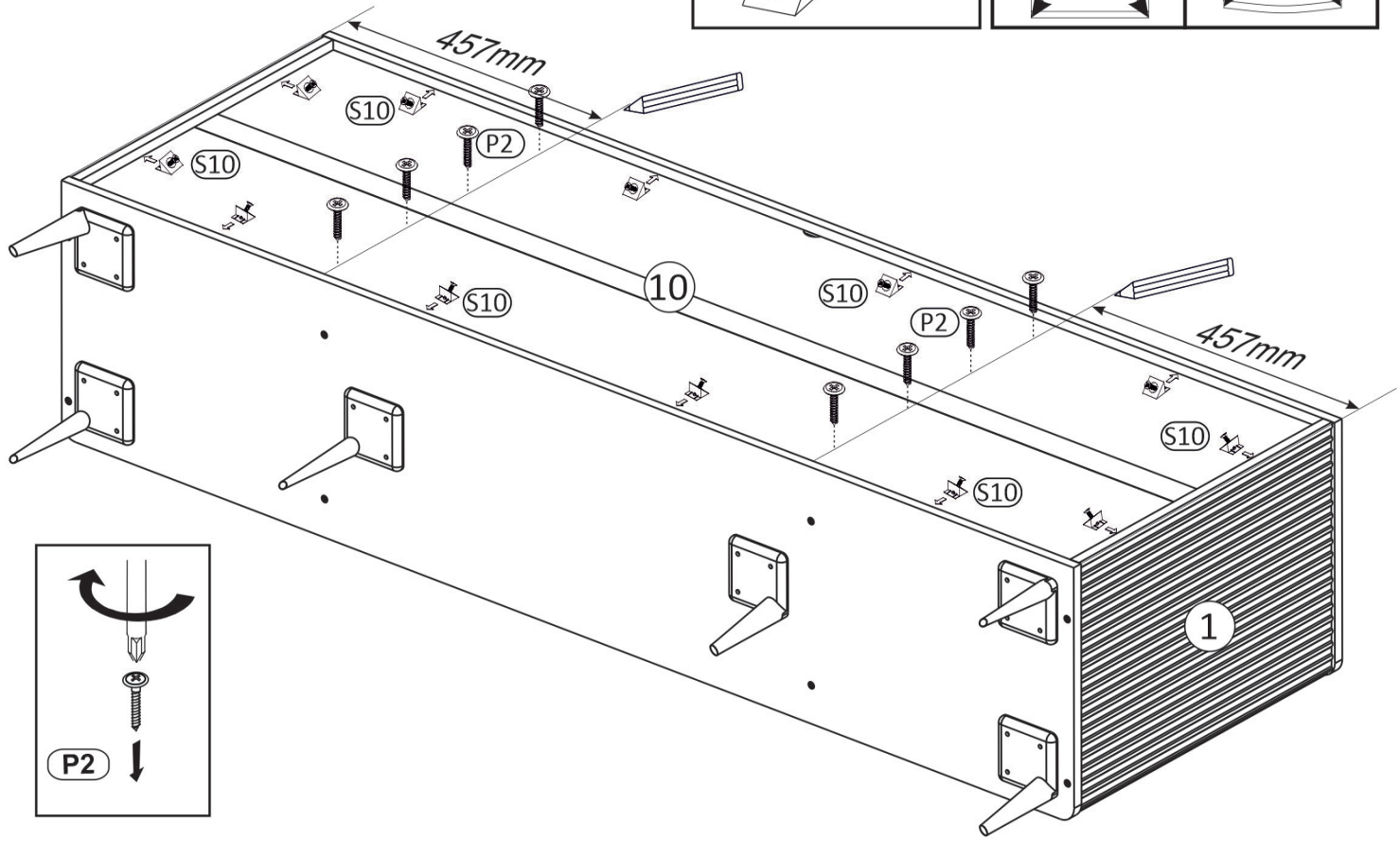
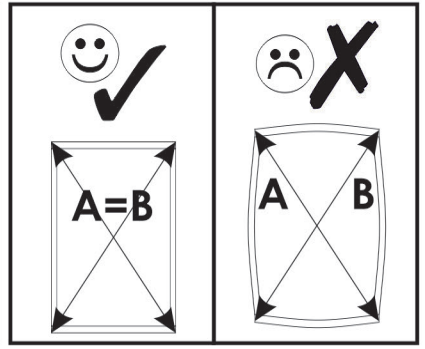
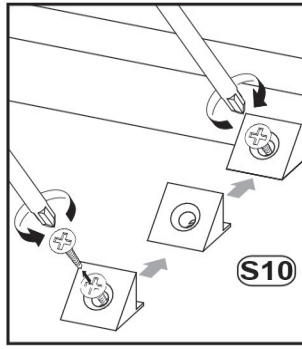
6



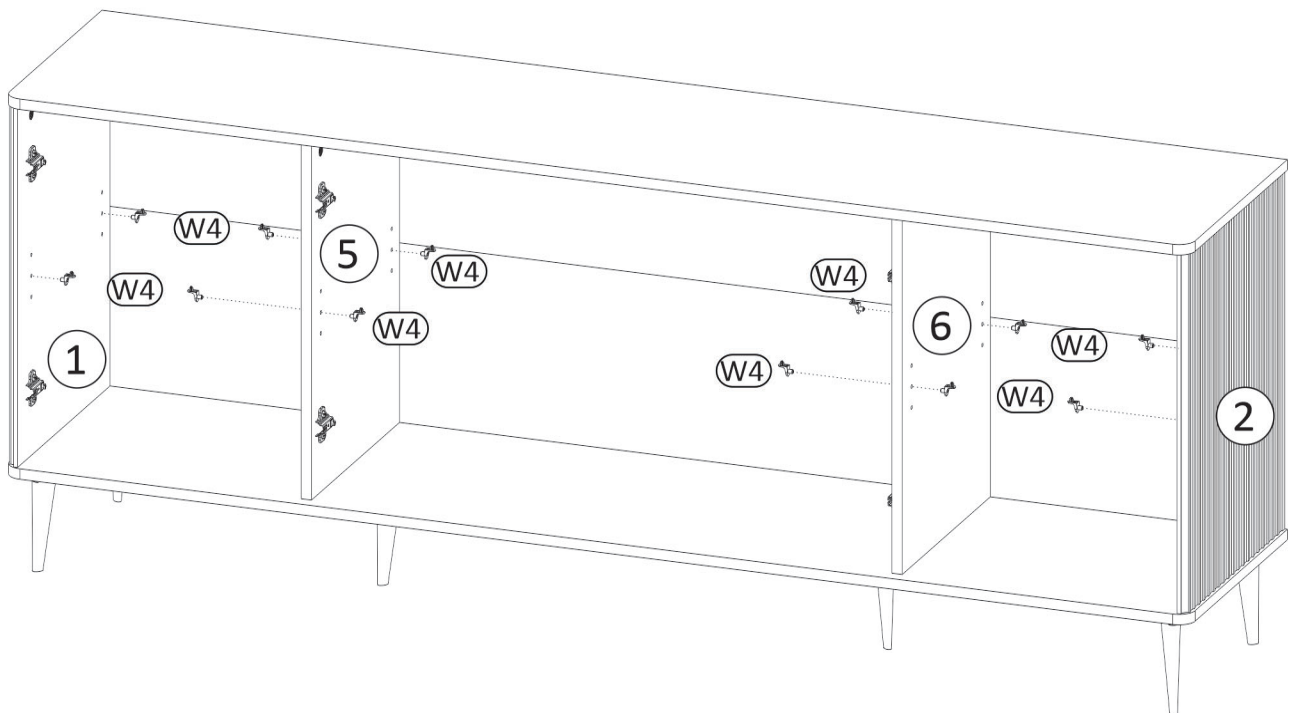
7



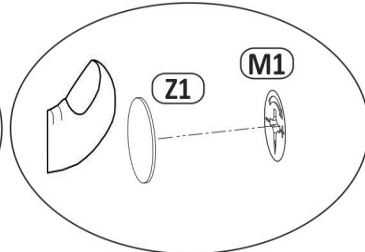
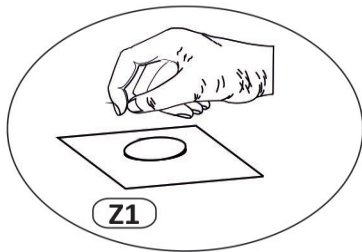
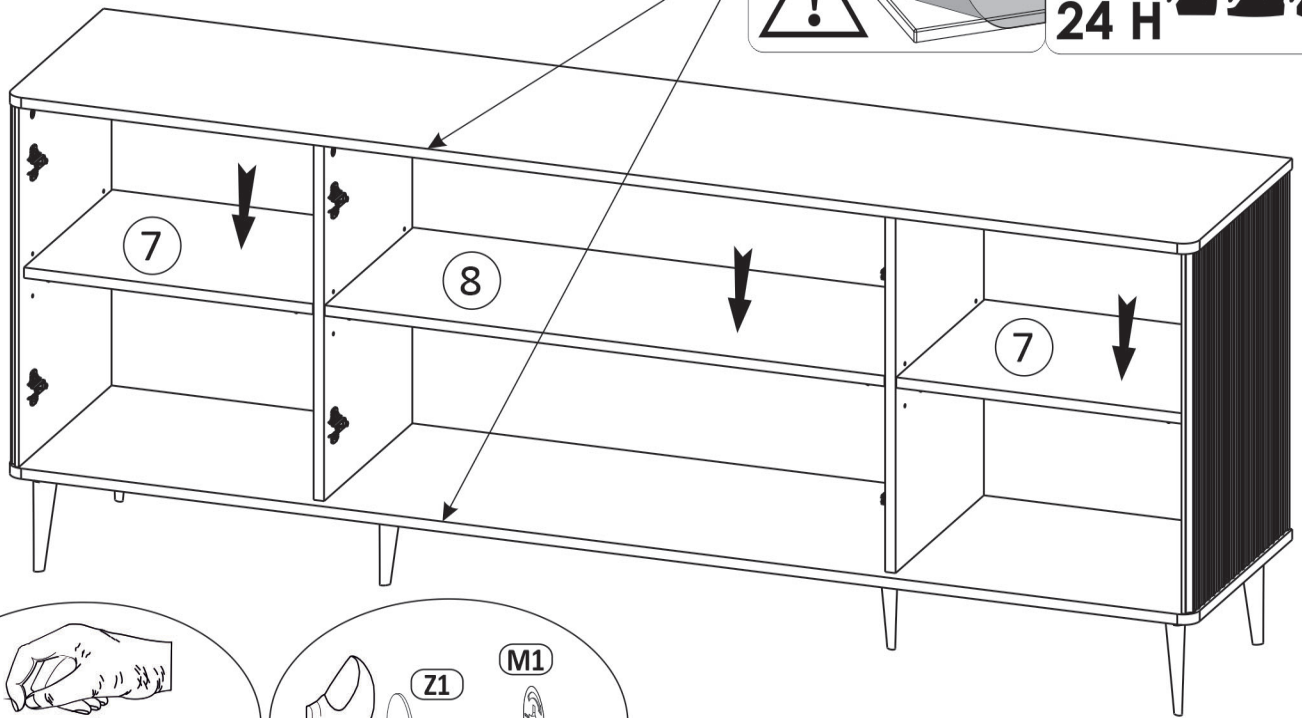
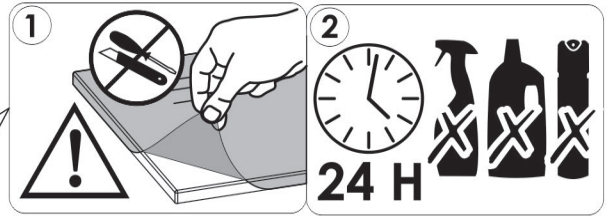
8



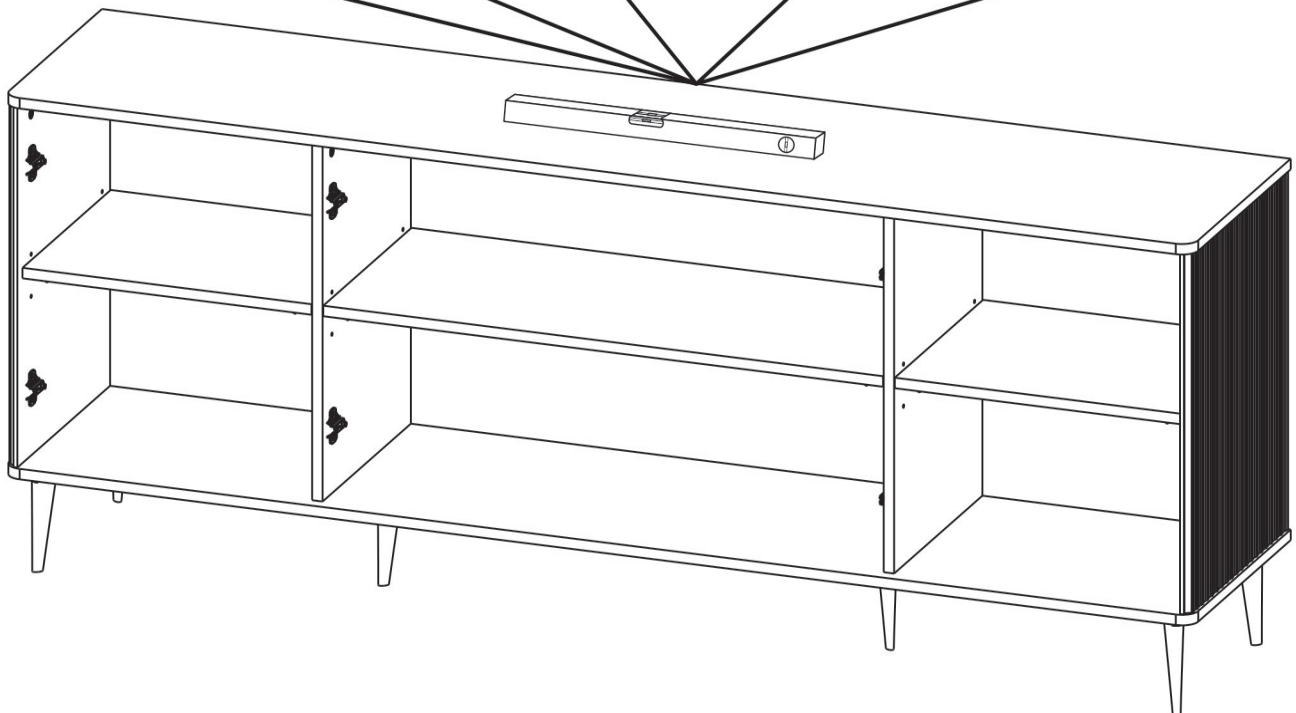
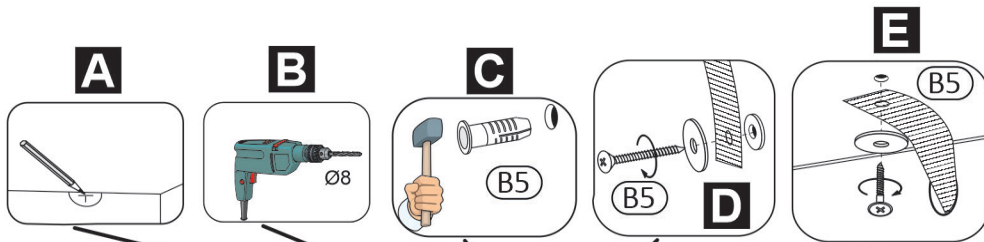
9



# 10

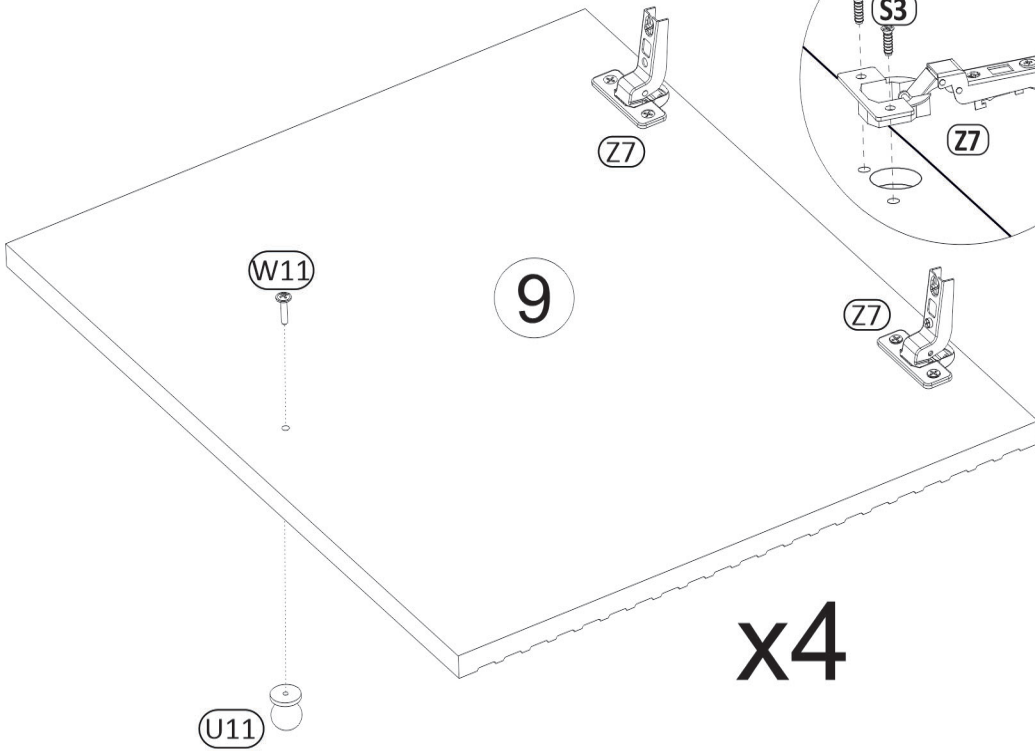


# 11

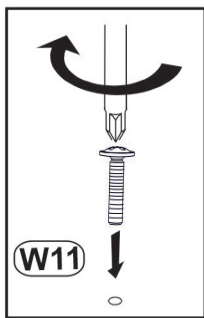
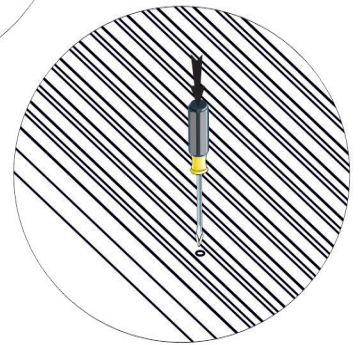
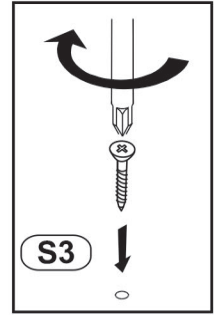




# 12



x4



# 13

