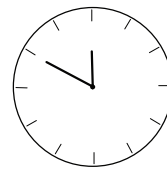
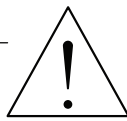
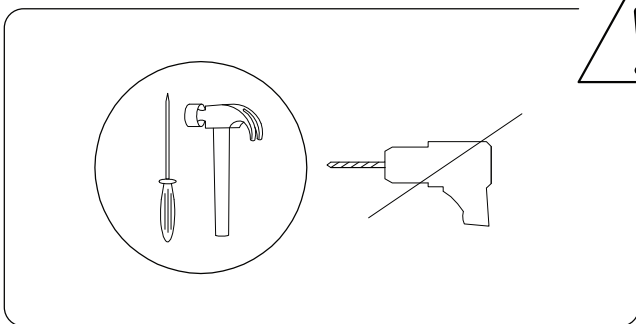
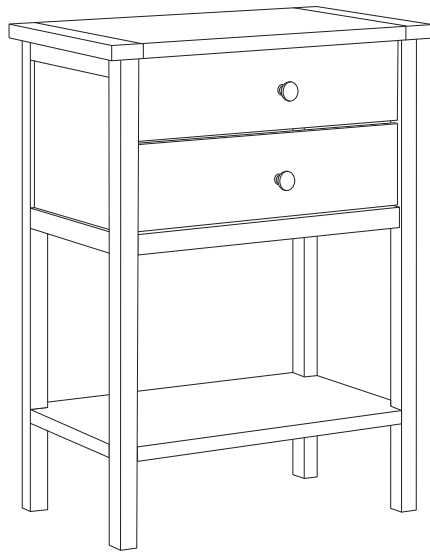
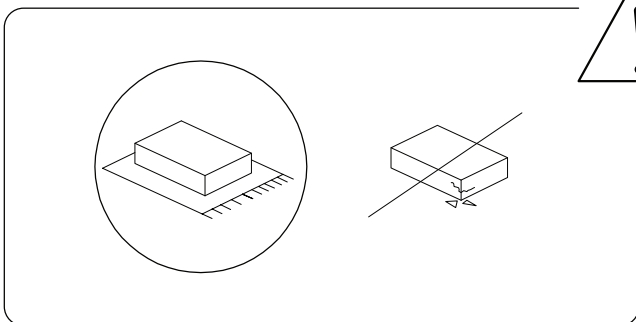


# SALTON

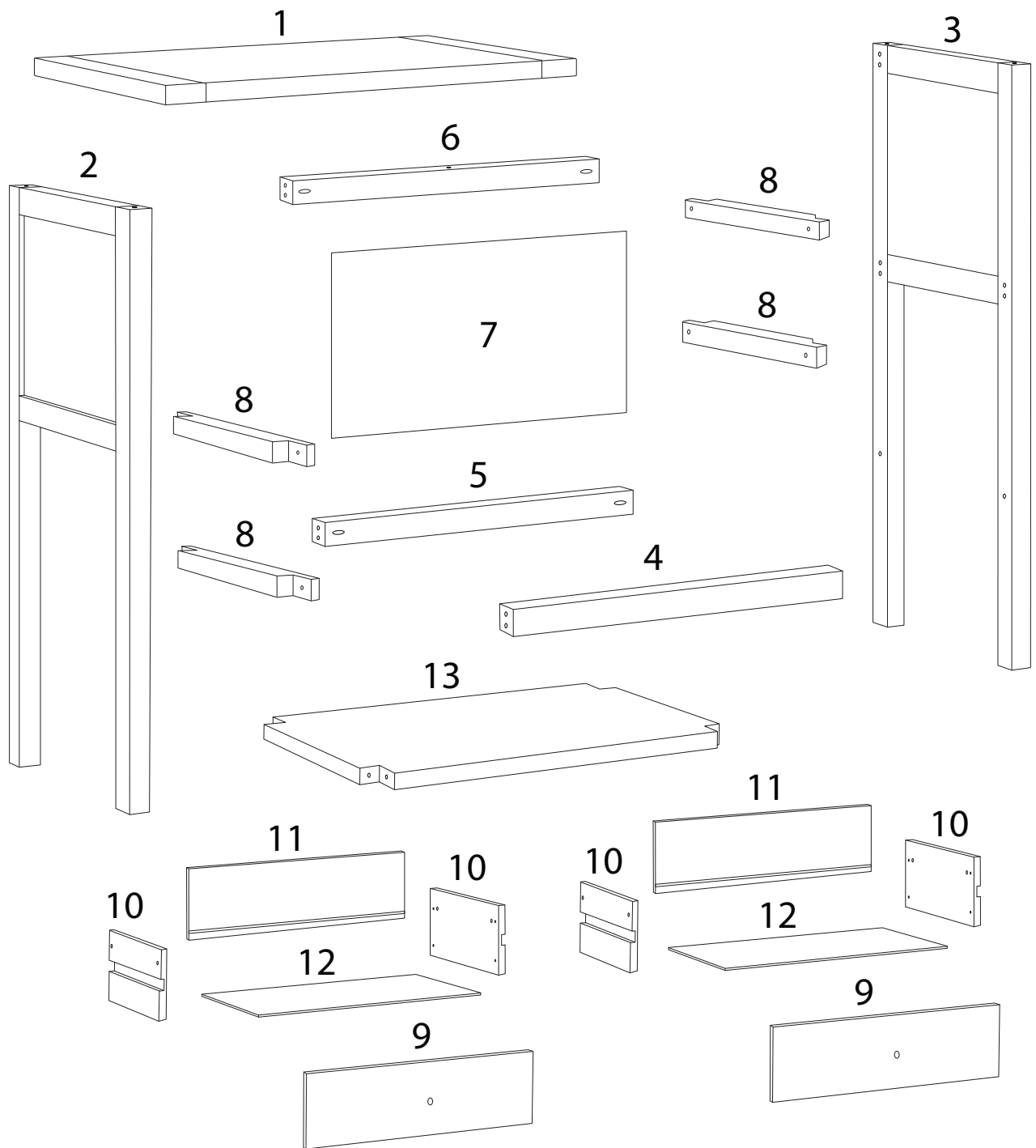


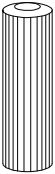
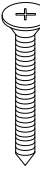
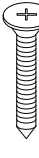

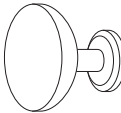
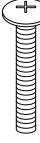


50'



1



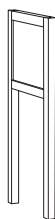
A	B	C	D	E	F
	 M4 x 40	 M3 x 30			
x 20	x 19	x 24	x 18	x 2	x 2

1



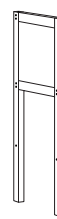
x 1

2



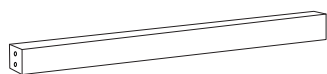
x 1

3



x 1

4



x 1

5



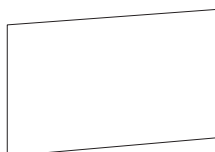
x 1

6



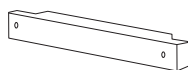
x 1

7



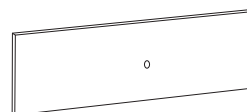
x 1

8



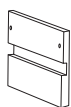
x 4

9



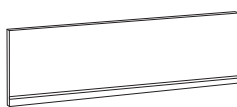
x 2

10



x 4

11



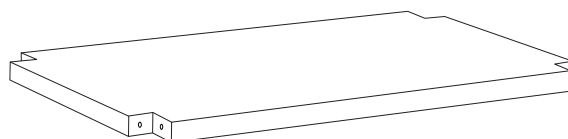
x 2

12



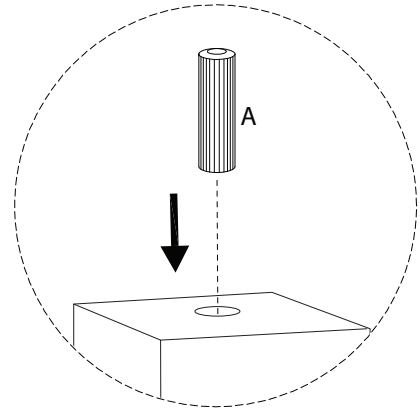
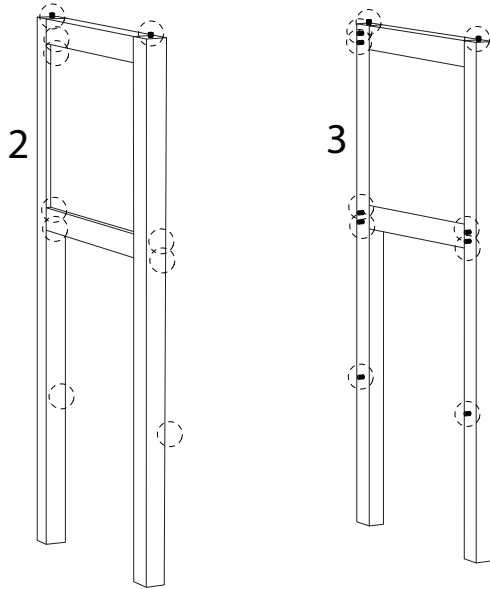
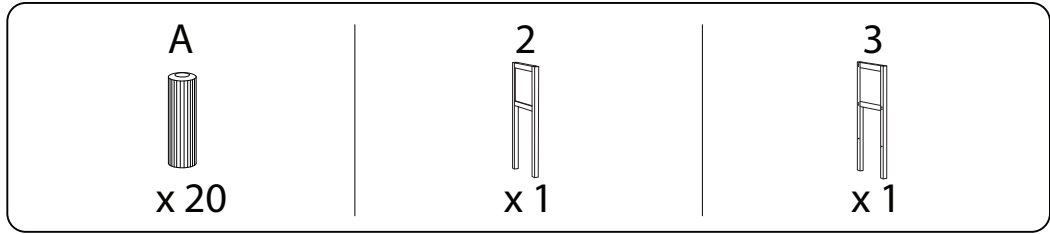
x 2

13

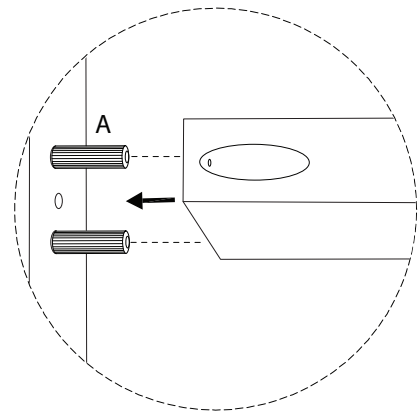
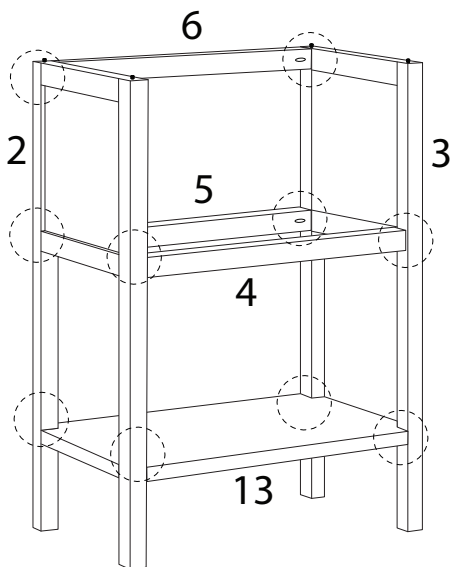
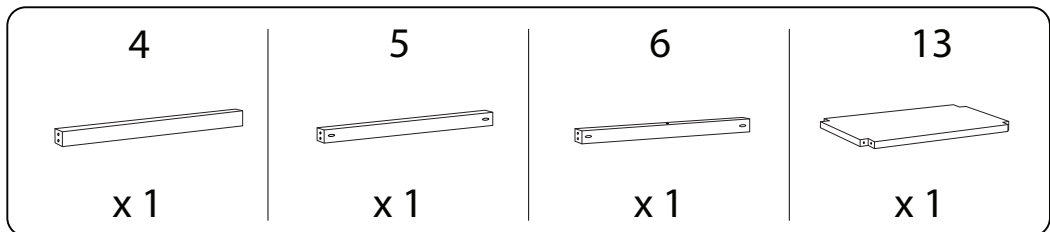


x 1

1

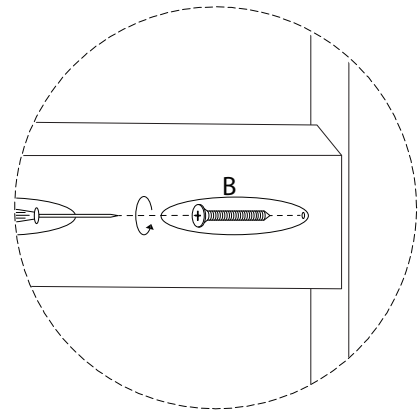
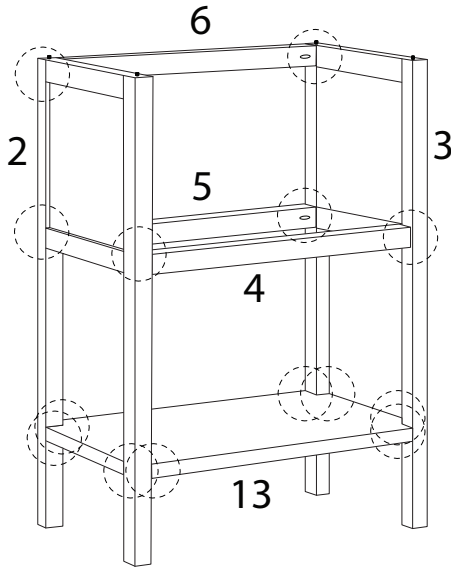


2



3

**B**  
M4  
x  
40  
x 14



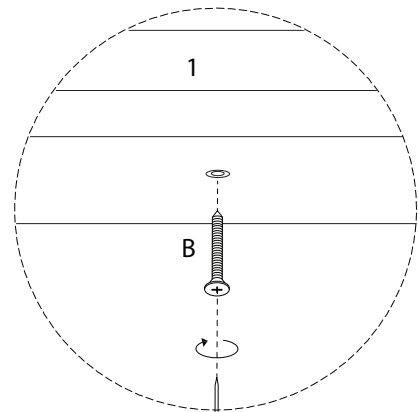
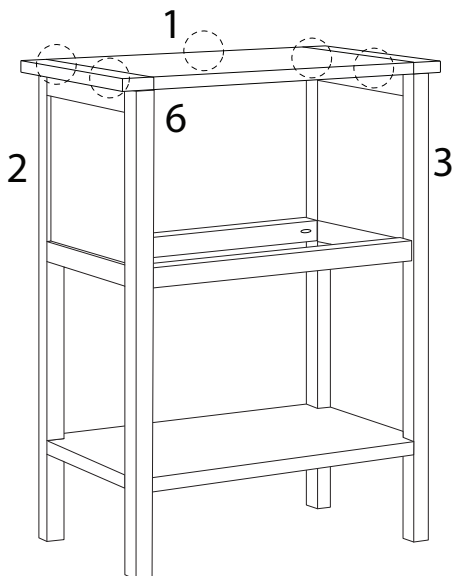
4

**B**  
M4  
x  
40  
x 5

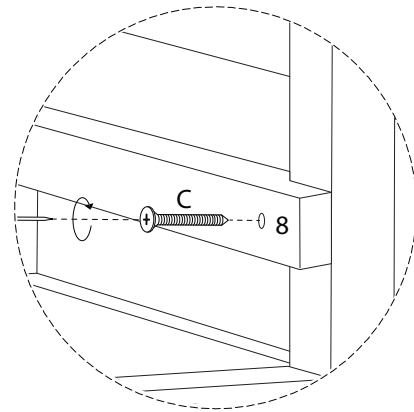
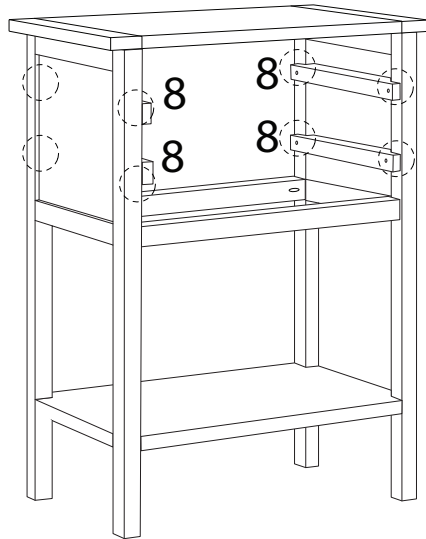
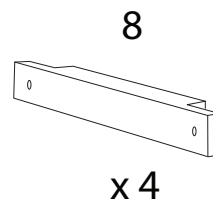
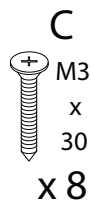
1



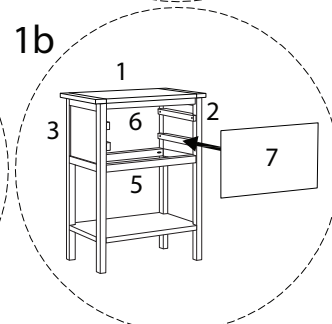
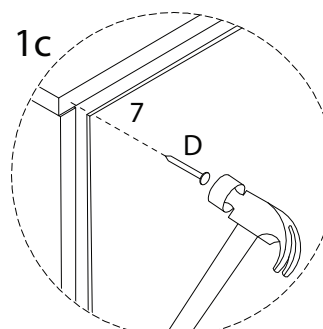
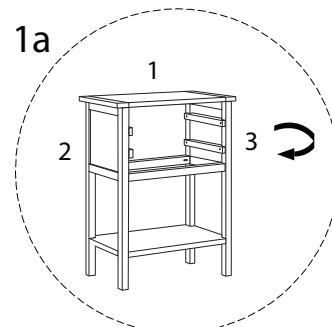
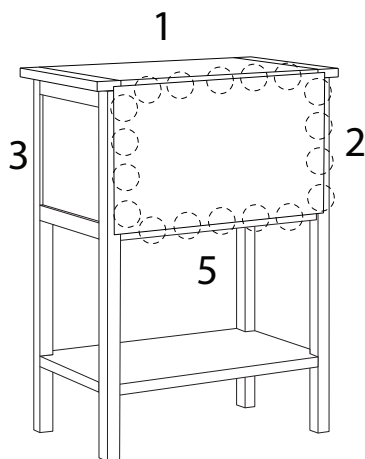
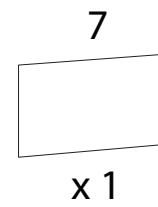
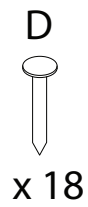
x 1



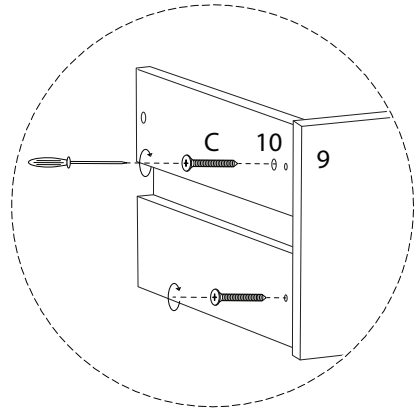
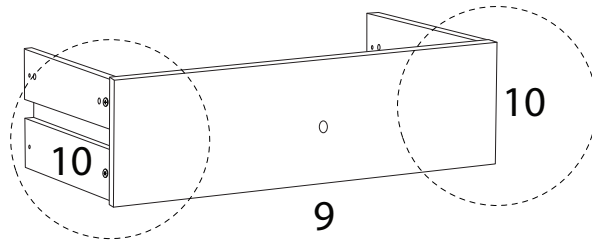
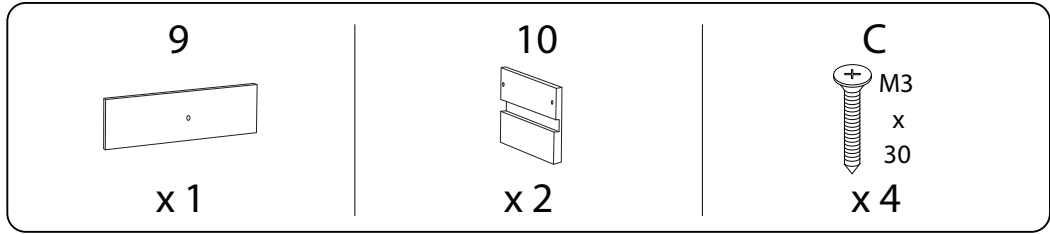
5



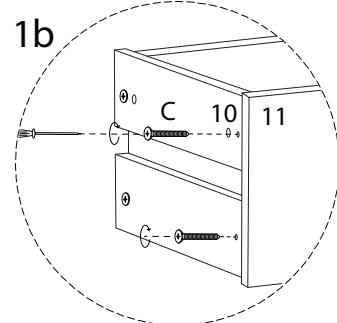
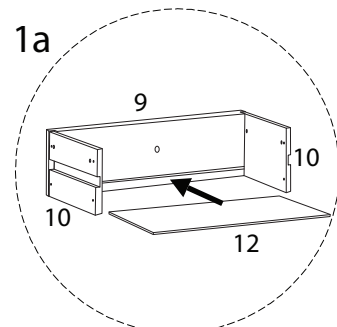
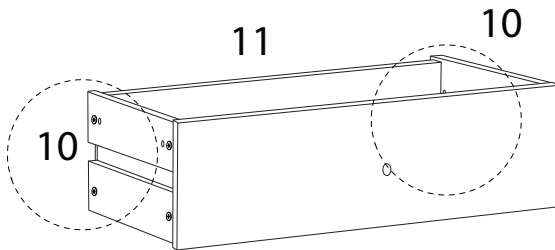
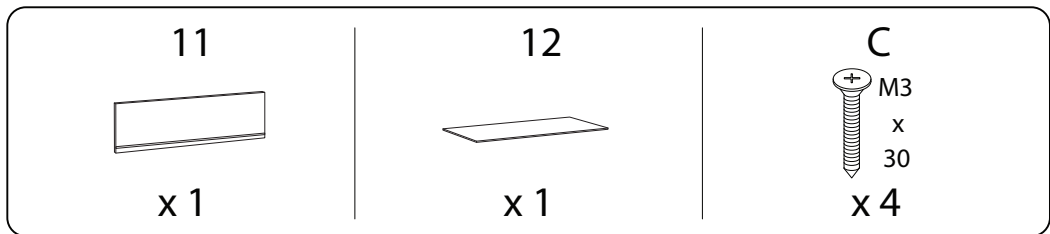
6



7 x 2

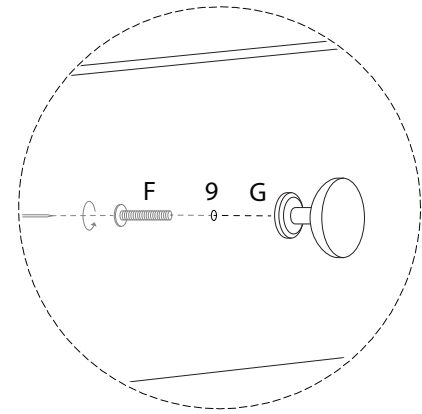
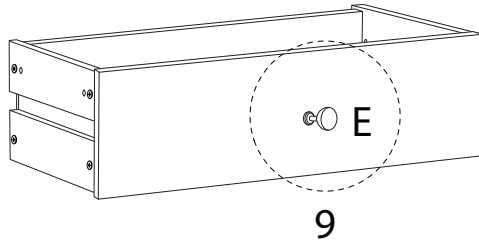
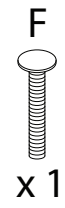
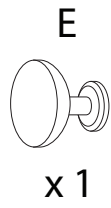


8 x 2

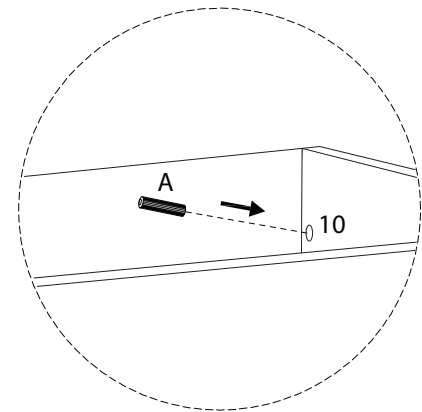
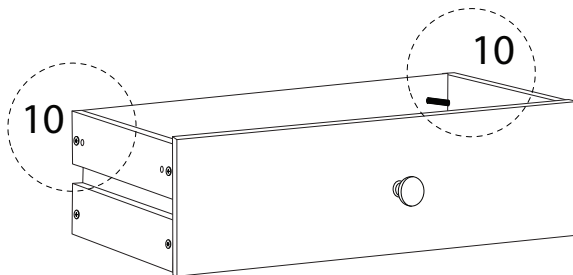
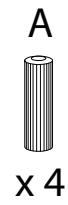




9 x 2



10 x 2



!

