


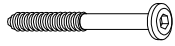





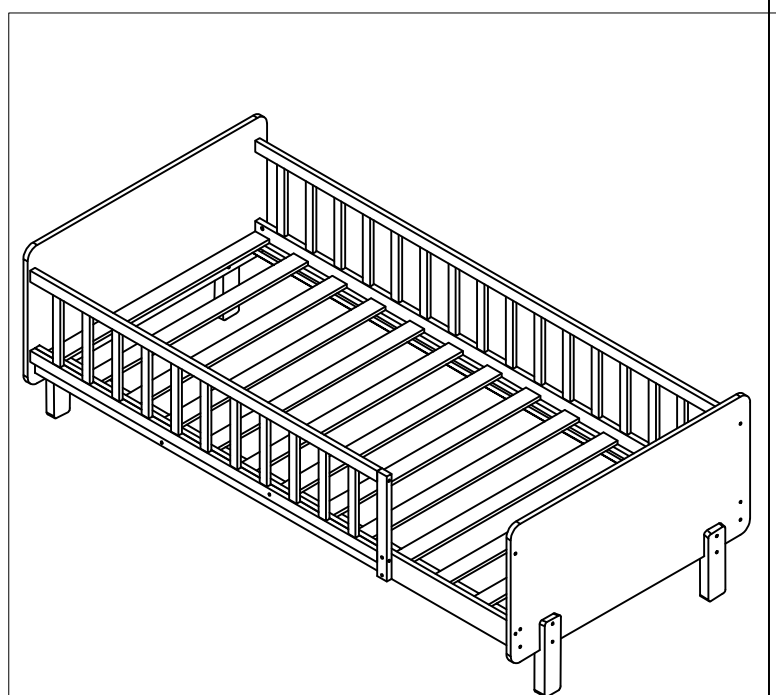
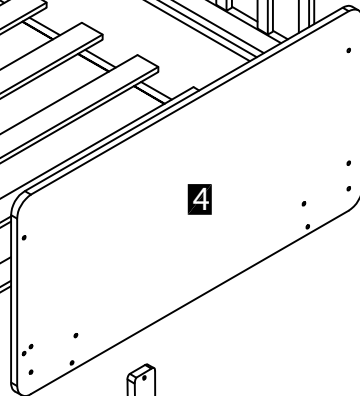
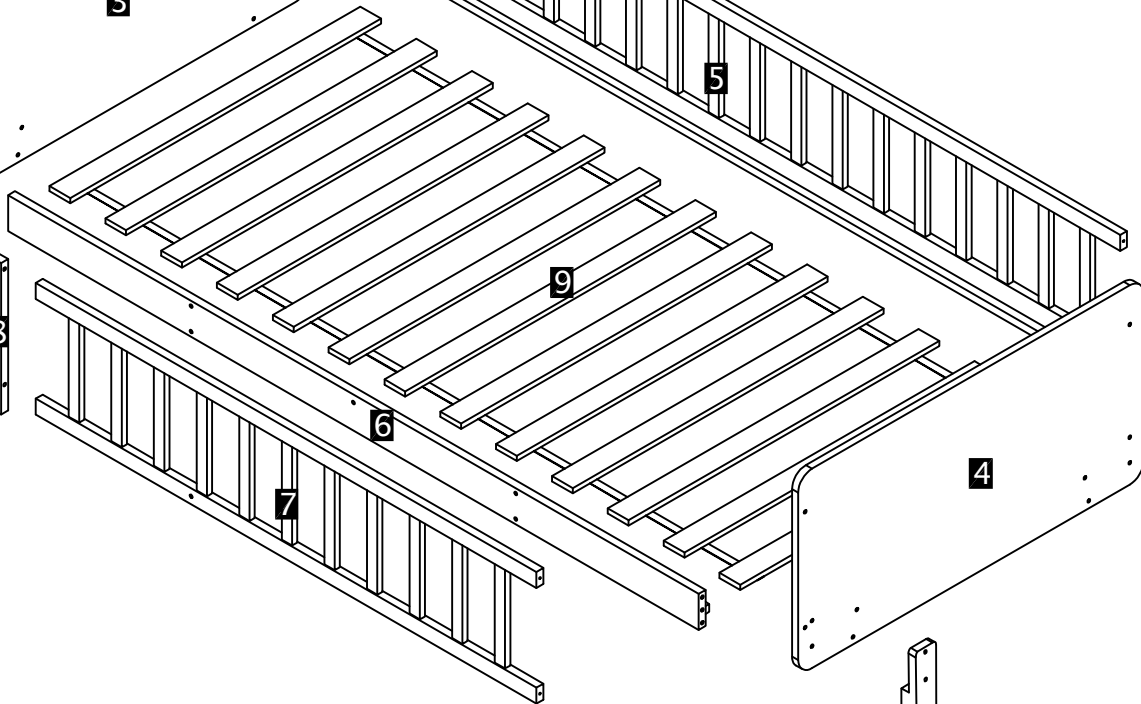
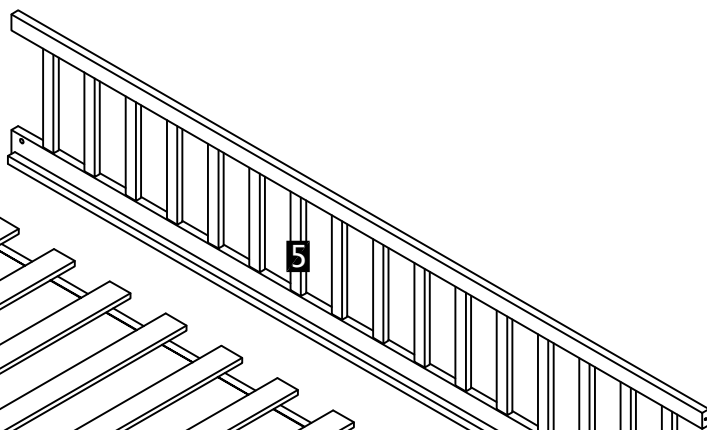
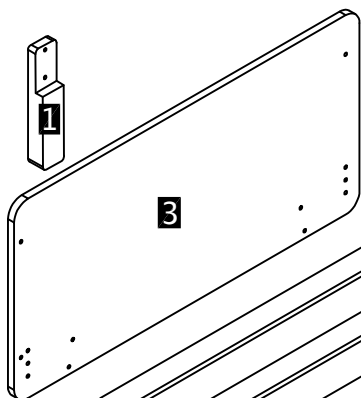
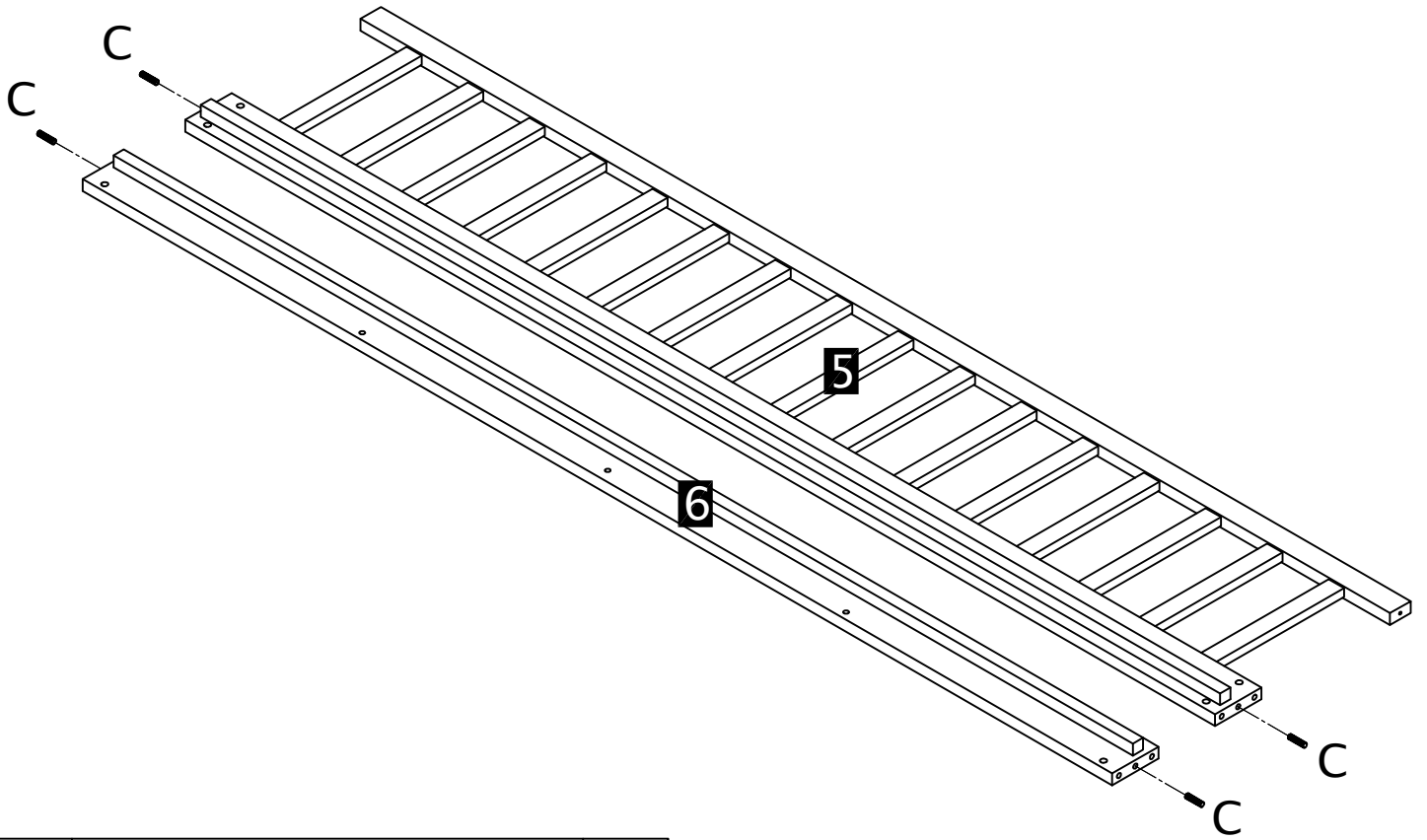



A		M6*30	11
B		M6*20	11
C		Φ8*30	4
D		M6*60	8
E			8
F		Φ6*70	4
G		Φ6*90	2
H		4*30	26
N		4 mm	1



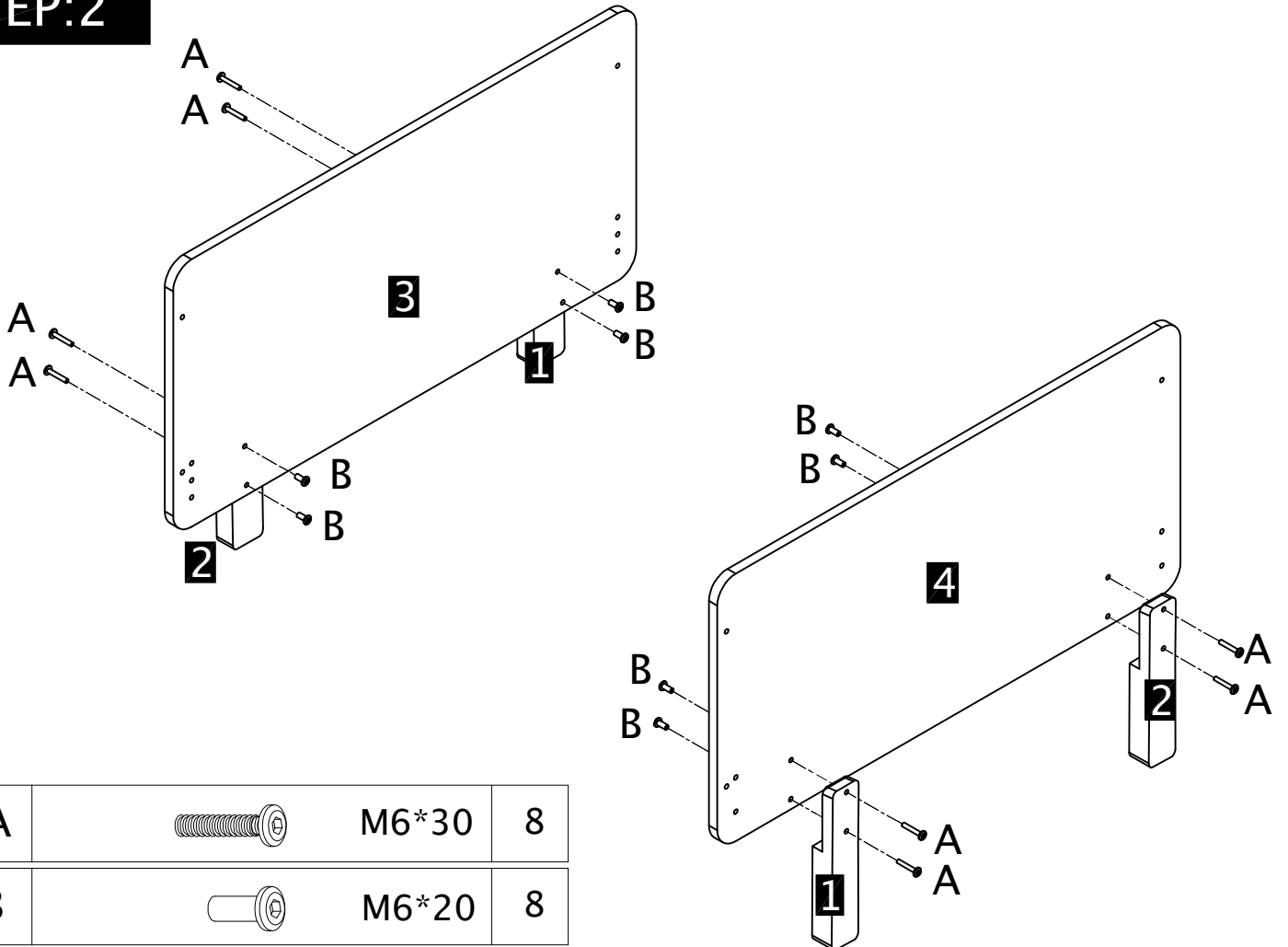




STEP:1



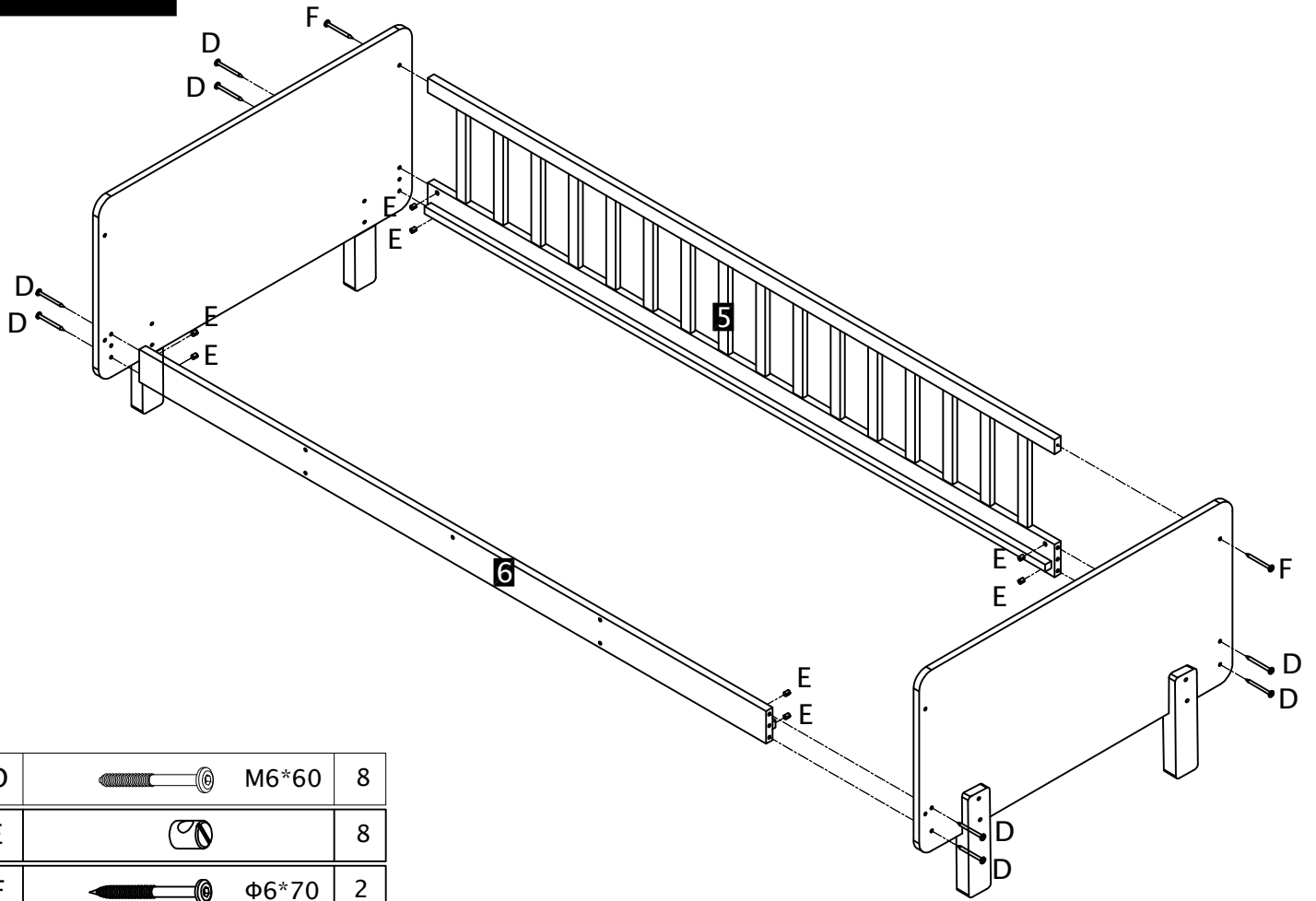
C		Φ8*30	4
---	---	-------	---

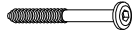


STEP:2



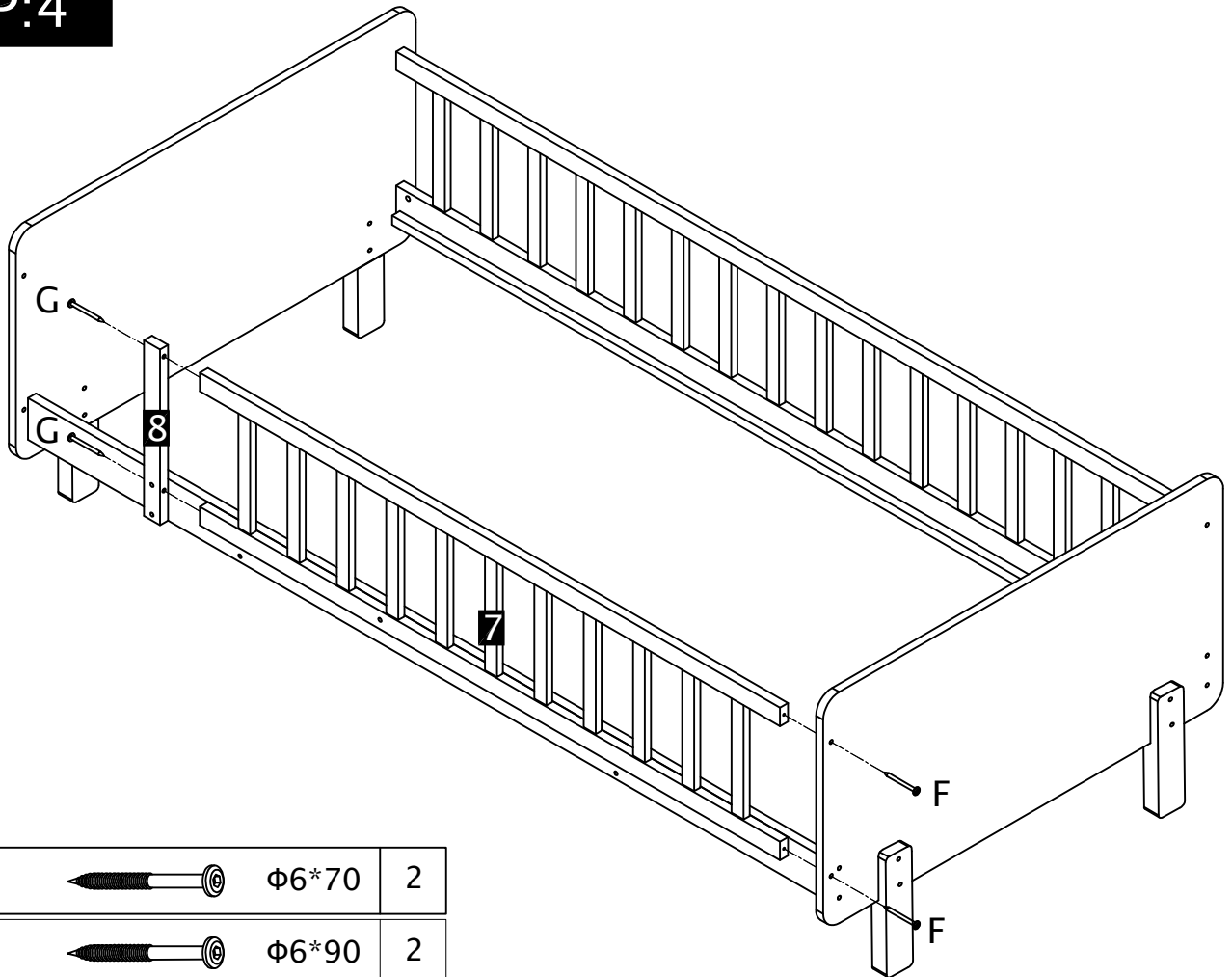
A		M6*30	8
B		M6*20	8



STEP:3



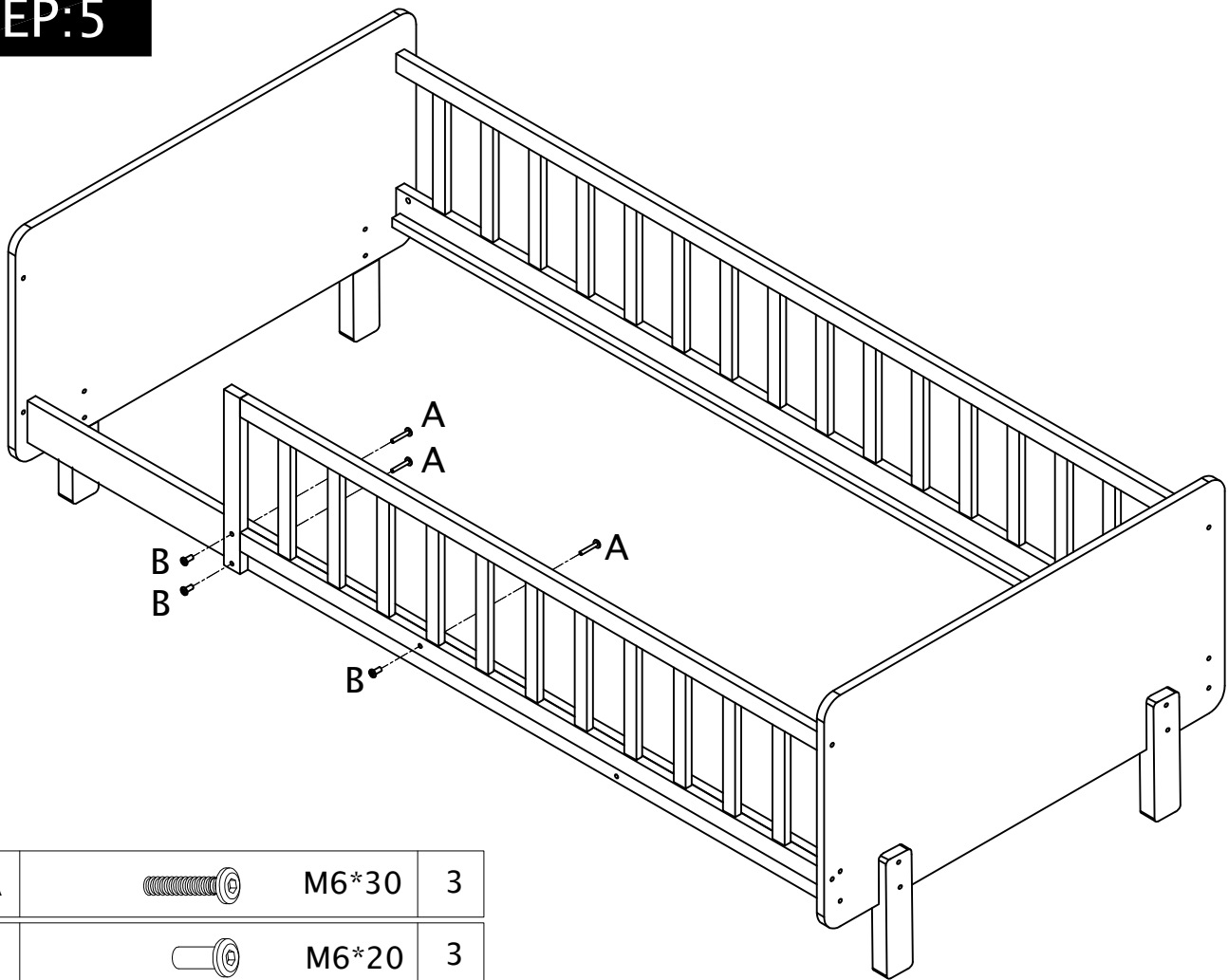
D		M6*60	8
E			8
F		Φ6*70	2


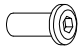
STEP:4



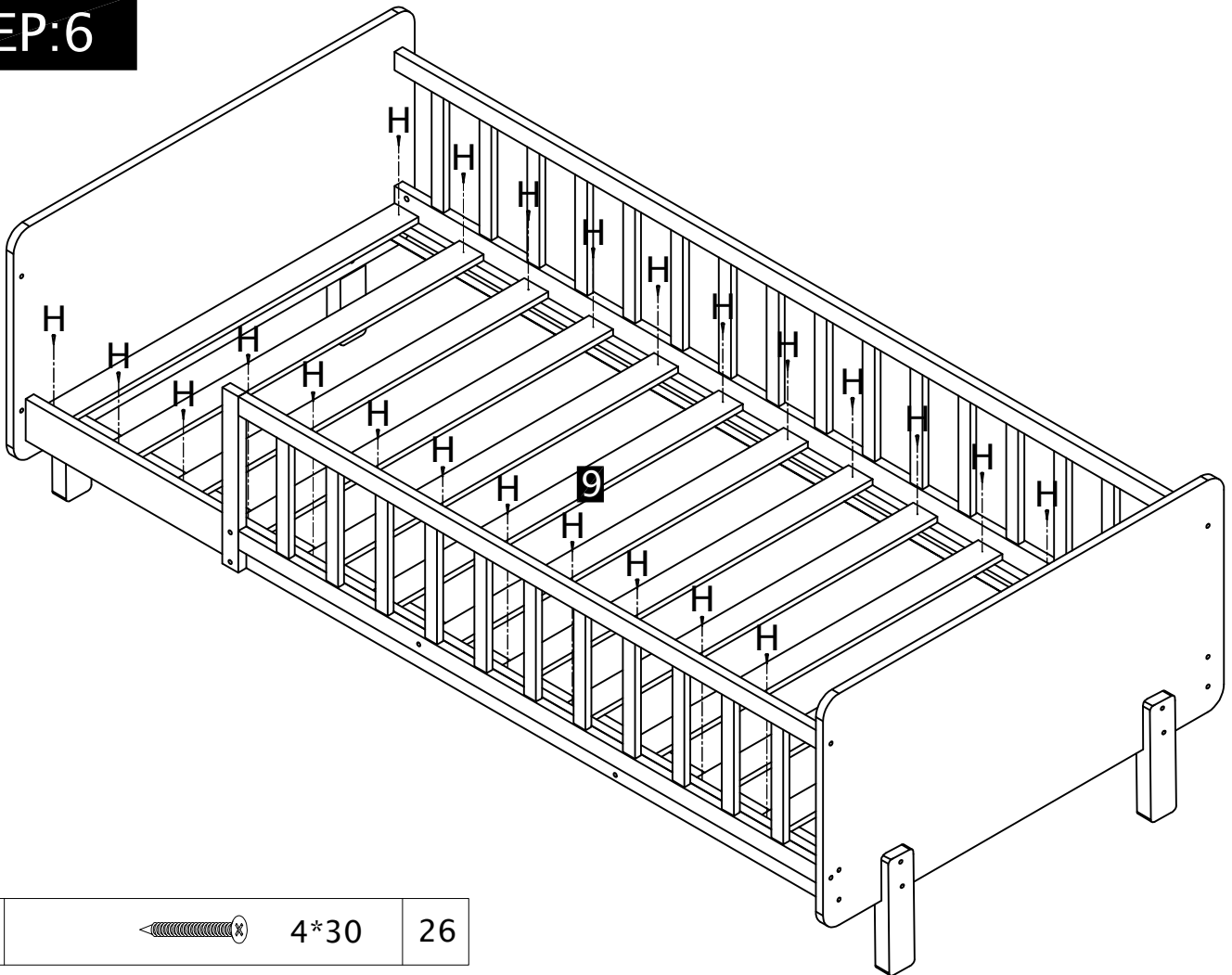
F		Φ6*70	2
G		Φ6*90	2


STEP:5



A		M6*30	3
B		M6*20	3

STEP:6



H		4*30	26
---	---	------	----