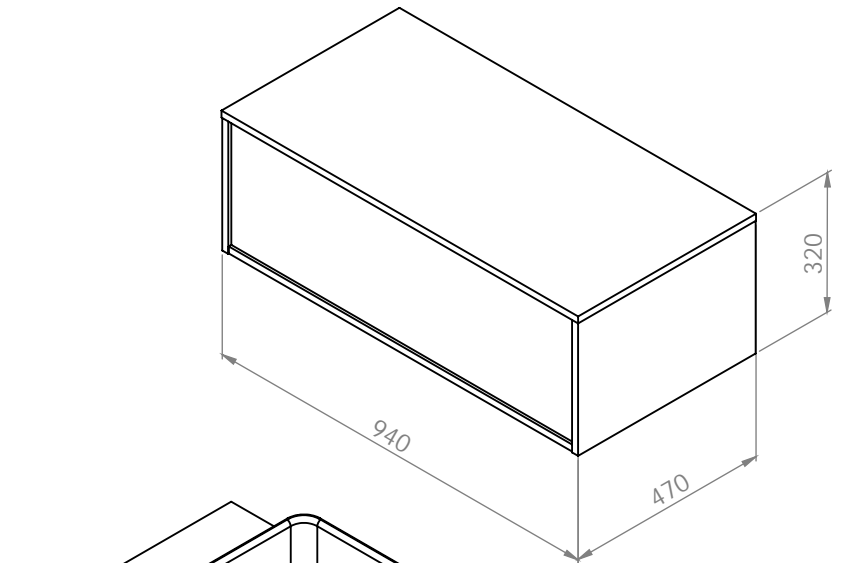
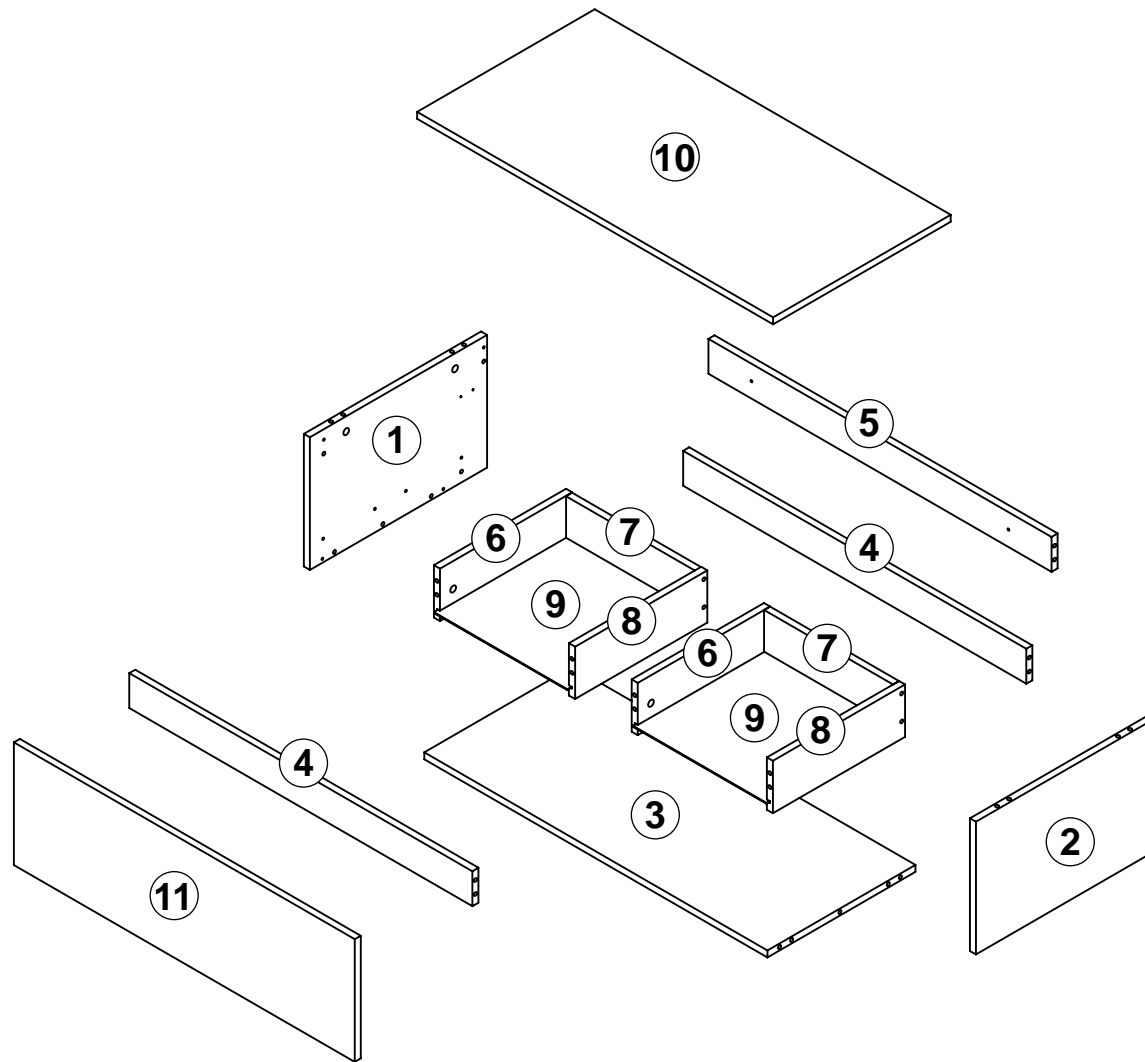
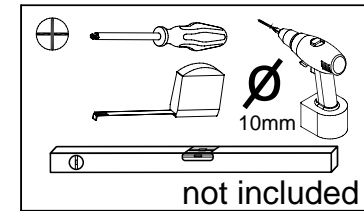
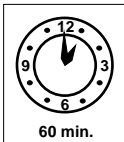
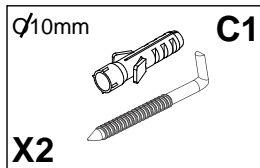
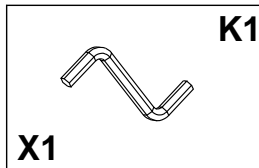
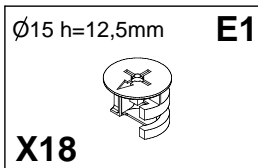
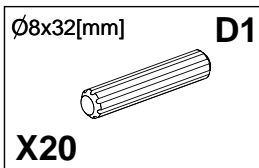
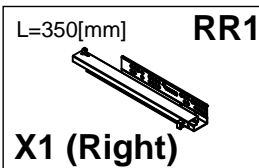
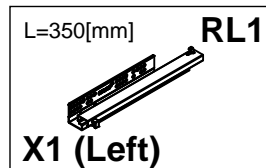
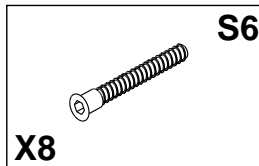
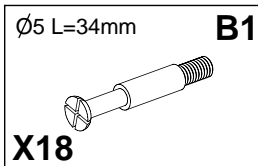
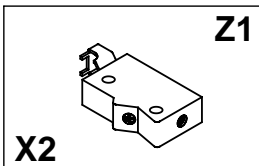
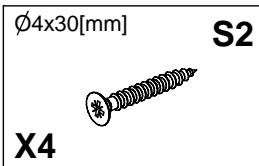
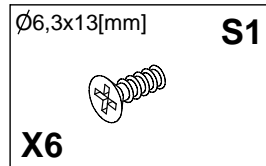
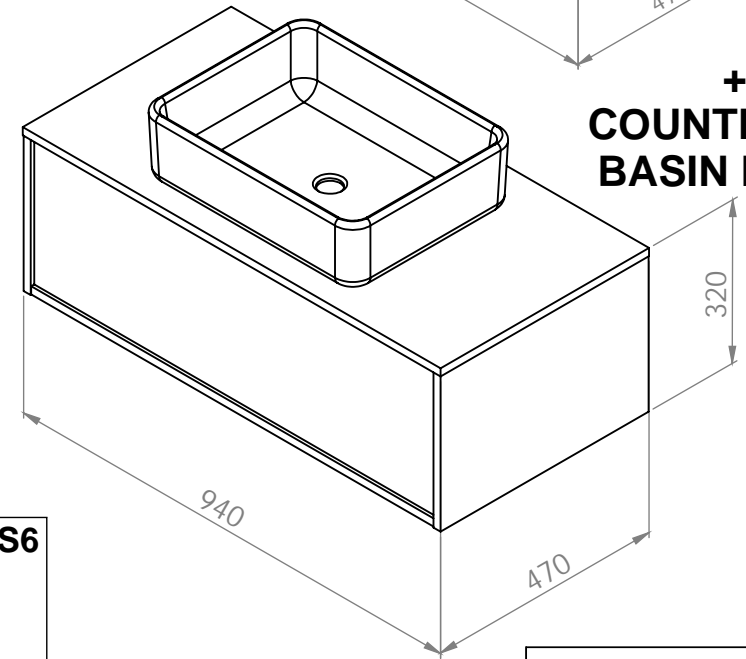


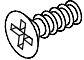
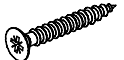
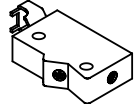
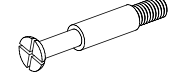
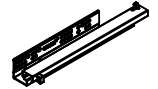
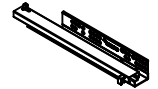
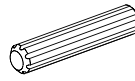
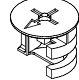
# TEANA 95 FRAME 95

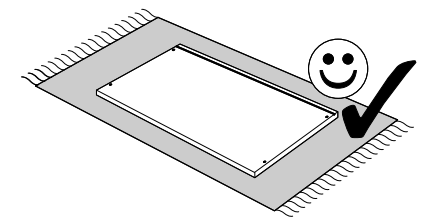
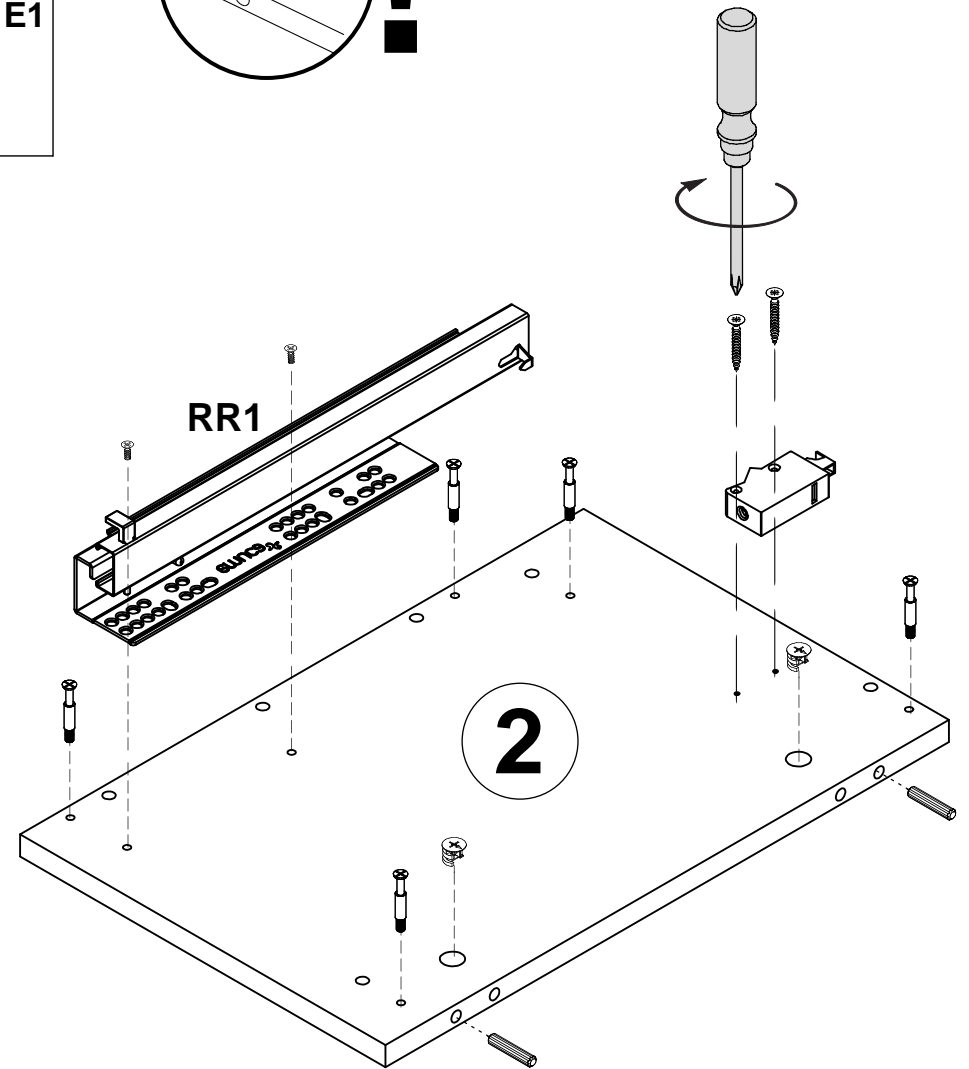
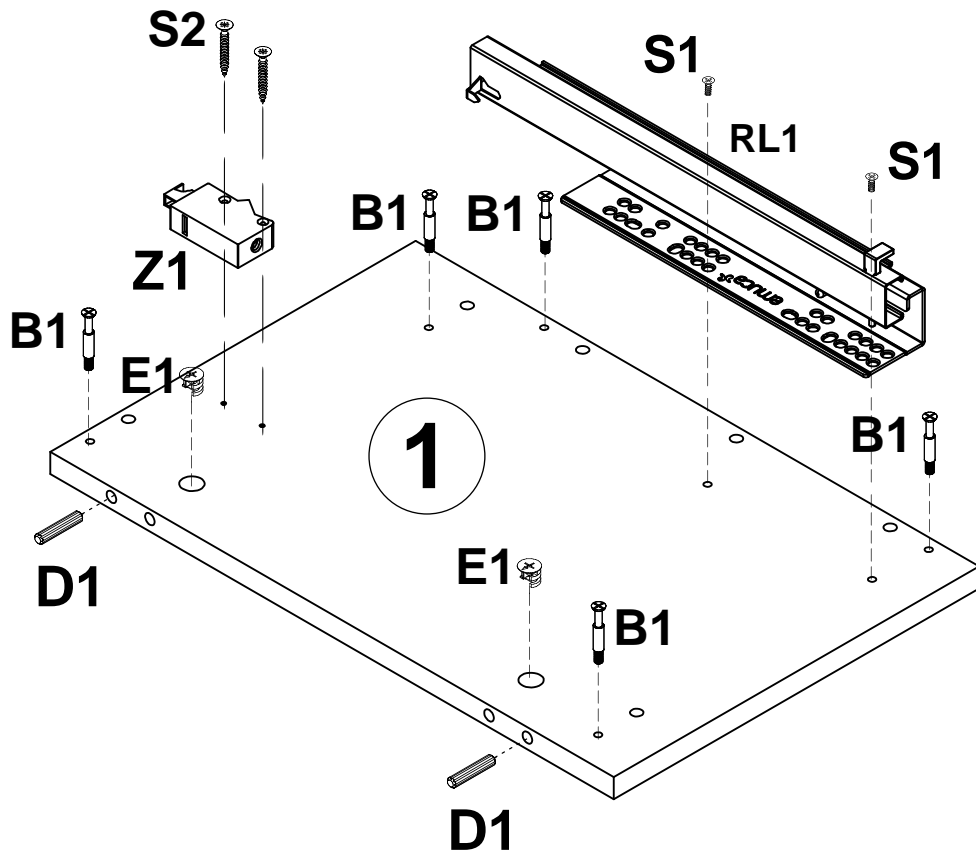
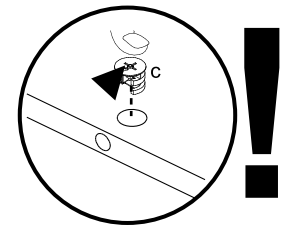


+  
**COUNTERTOP  
BASIN PPE49**

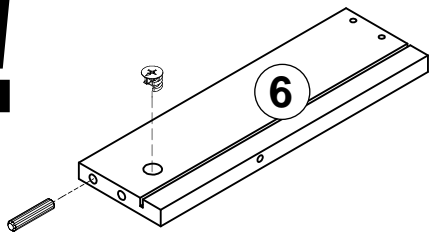
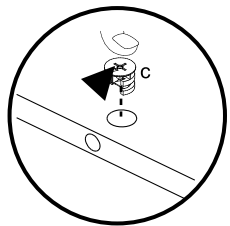
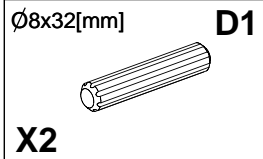


# 1

$\varnothing 6,3 \times 13$ [mm] <b>S1</b>  <b>X4</b>	$\varnothing 4 \times 30$ [mm] <b>S2</b>  <b>X4</b>	<b>Z1</b>  <b>X2</b>	$\varnothing 5$ L=34mm <b>B1</b>  <b>X10</b>
L=350[mm] <b>RL1</b>  <b>X1 (Left)</b>	L=350[mm] <b>RR1</b>  <b>X1 (Right)</b>	$\varnothing 8 \times 32$ [mm] <b>D1</b>  <b>X4</b>	$\varnothing 15$ h=12,5mm <b>E1</b>  <b>X4</b>

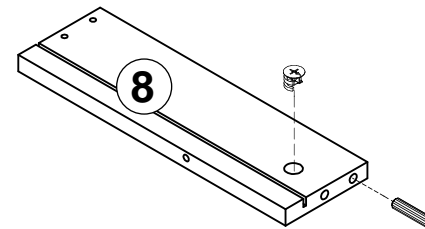
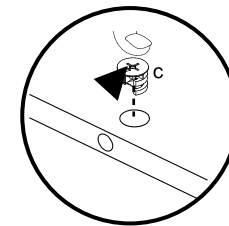
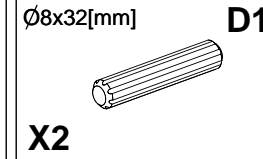
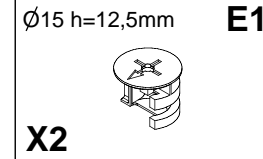


2

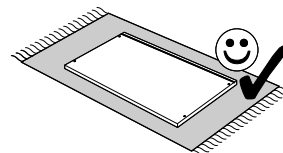


x2

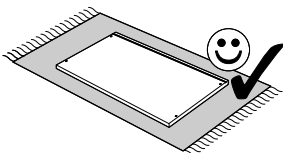
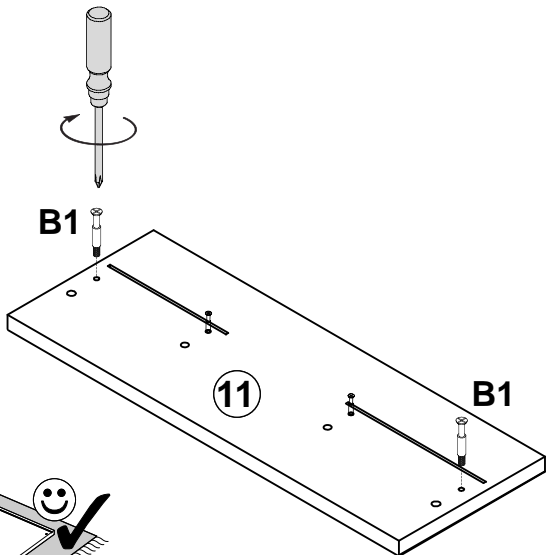
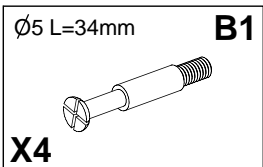
3



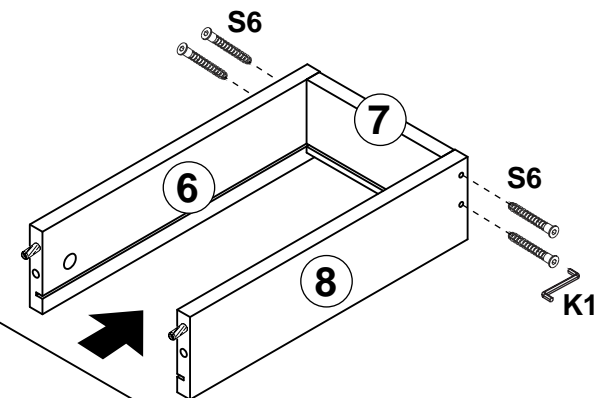
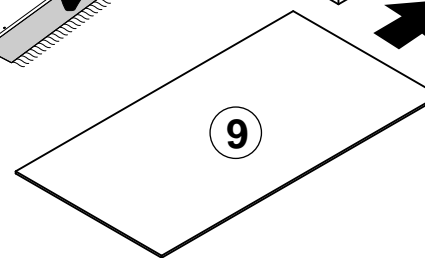
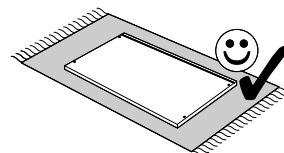
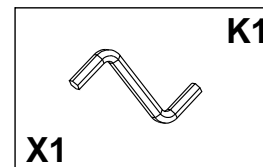
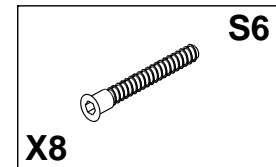
x2



4



5



x2

# 6

Ø15 h=12,5mm

E1

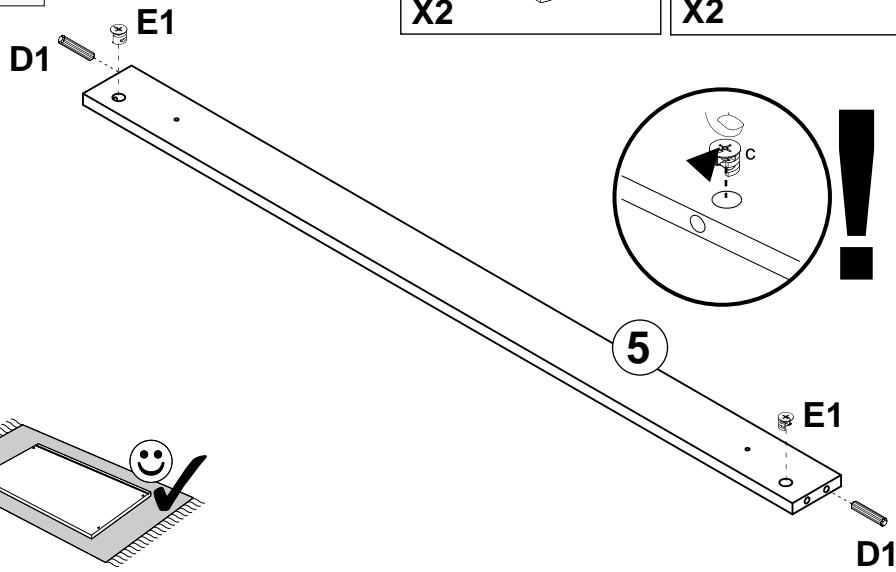
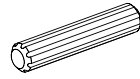
X2



Ø8x32[mm]

D1

X2



# 7

Ø15 h=12,5mm

E1

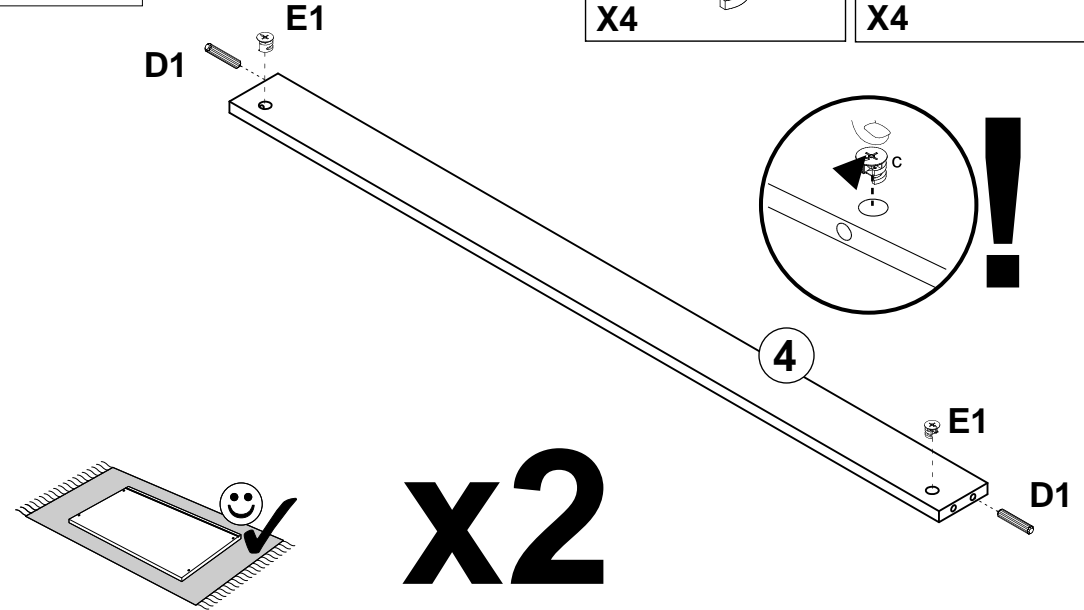
X4



Ø8x32[mm]

D1

X4



# 8

Ø15 h=12,5mm

E1

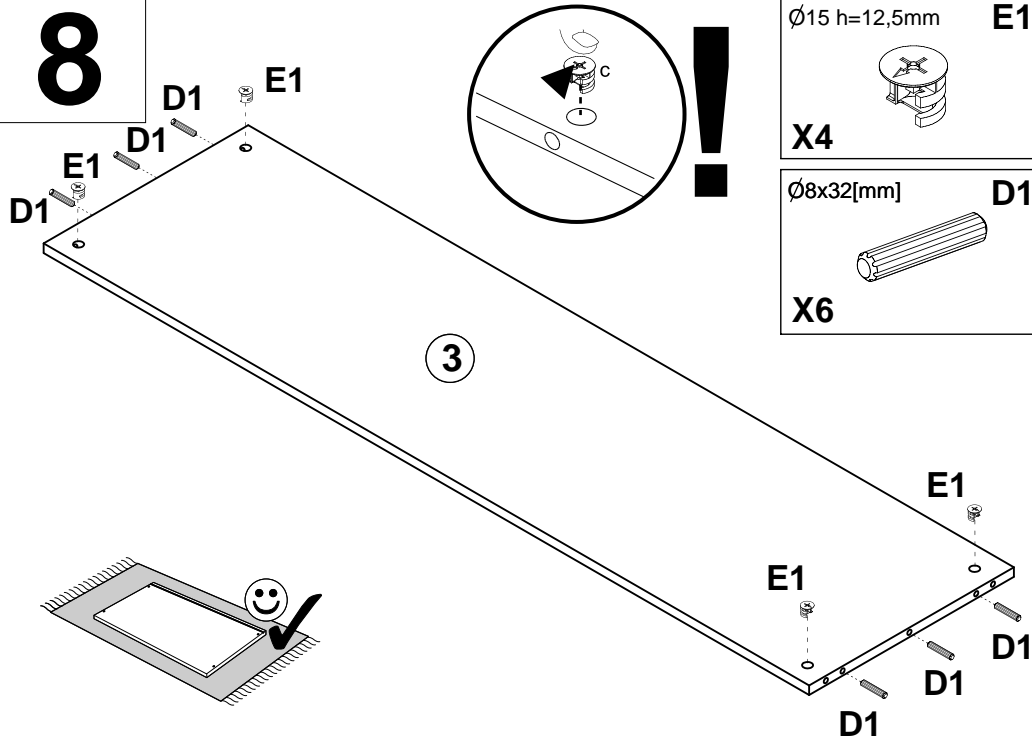
X4



Ø8x32[mm]

D1

X6



# 9

Ø5 L=34mm

B1

X4

